



US00D785827S

(12) **United States Design Patent**
Peng

(10) **Patent No.:** **US D785,827 S**

(45) **Date of Patent:** **** May 2, 2017**

- (54) **HEADLAMP FOR A BOAT**
- (71) Applicant: **I-Sin Peng**, Taichung (TW)
- (72) Inventor: **I-Sin Peng**, Taichung (TW)
- (73) Assignee: **I-Sing Peng**, Taichung (TW)
- (**) Term: **15 Years**
- (21) Appl. No.: **29/555,162**
- (22) Filed: **Feb. 19, 2016**
- (51) **LOC (10) Cl.** **26-06**
- (52) **U.S. Cl.**
USPC **D26/28**
- (58) **Field of Classification Search**
USPC D26/28-36; 362/80-83, 267-269,
362/459-468, 475-478, 485-487
CPC F21S 48/00; F21S 48/10; F21S 48/115;
F21S 48/1233; F21S 48/1266; F21S
48/1388; F21S 48/2268; F21V 21/04
See application file for complete search history.

- D544,113 S * 6/2007 Ueda D26/28
- D575,424 S * 8/2008 Gebhard D26/28
- D582,084 S * 12/2008 Gebhard D26/28
- D665,113 S * 8/2012 Perkins D26/28

* cited by examiner

Primary Examiner — Marcus Jackson

(74) *Attorney, Agent, or Firm* — Yuwen Guo

(57) **CLAIM**

The ornamental design for a headlamp for a boat, as shown and described.

DESCRIPTION

FIG. 1 is a perspective view of a headlamp for a boat, showing my new design, with the wire broken away to indicated indeterminate length;

FIG. 2 is a front elevation view of the headlamp;

FIG. 3 is a rear elevation view of the headlamp;

FIG. 4 is a right-side elevation view of the headlamp;

FIG. 5 is a left-side elevation view of the headlamp;

FIG. 6 is a top plan view of the headlamp;

FIG. 7 is a bottom plan view of the headlamp; and,

FIG. 8 is a perspective view of the headlamp mounted on the boat.

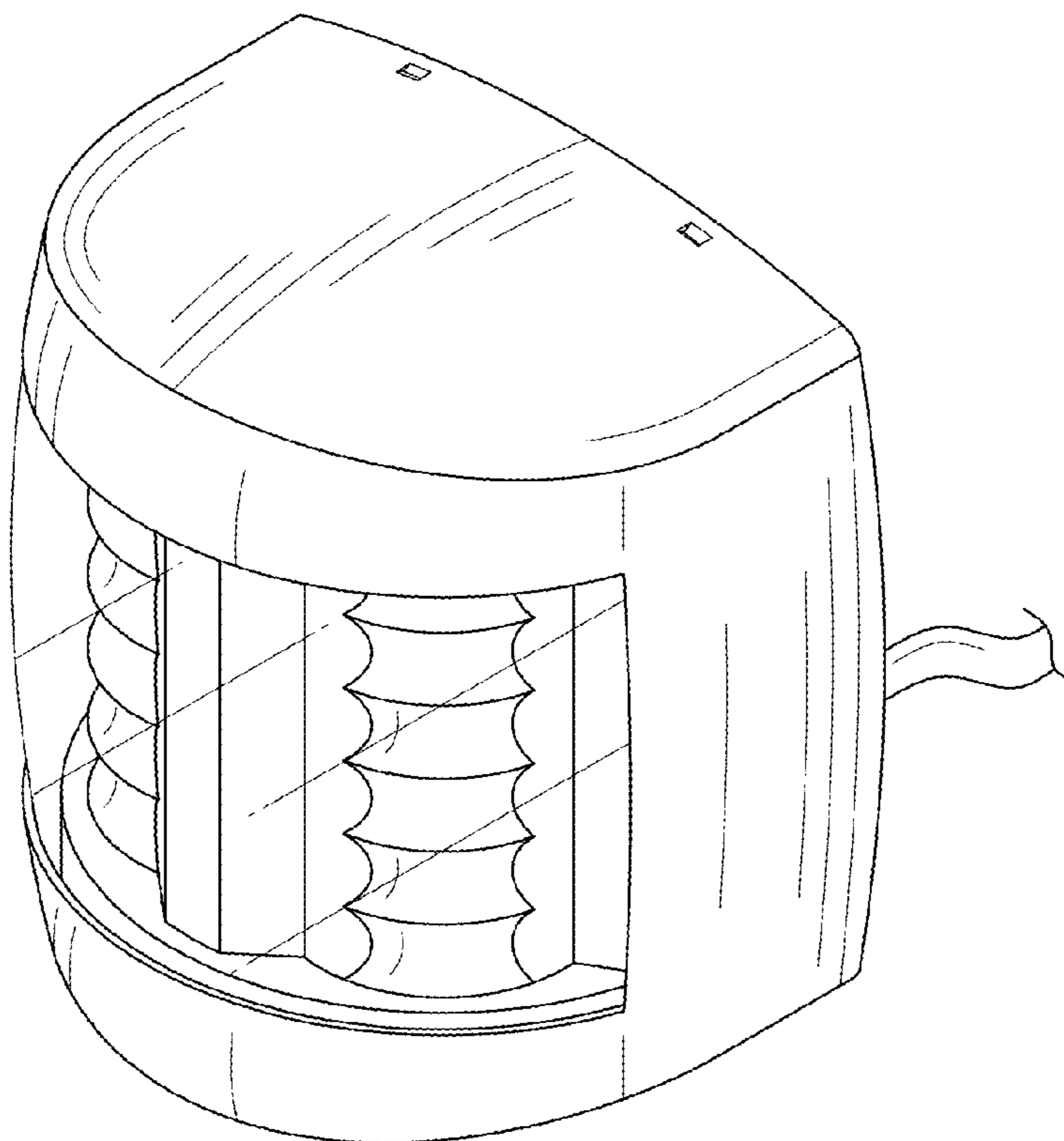
The broken line showing of structural features is included for the purpose of illustrating non-claim subject matter and forms no part of the claimed design.

(56) **References Cited**

U.S. PATENT DOCUMENTS

- D515,228 S * 2/2006 Gebhard D26/28
- D532,126 S * 11/2006 Kinzel D26/28

1 Claim, 8 Drawing Sheets



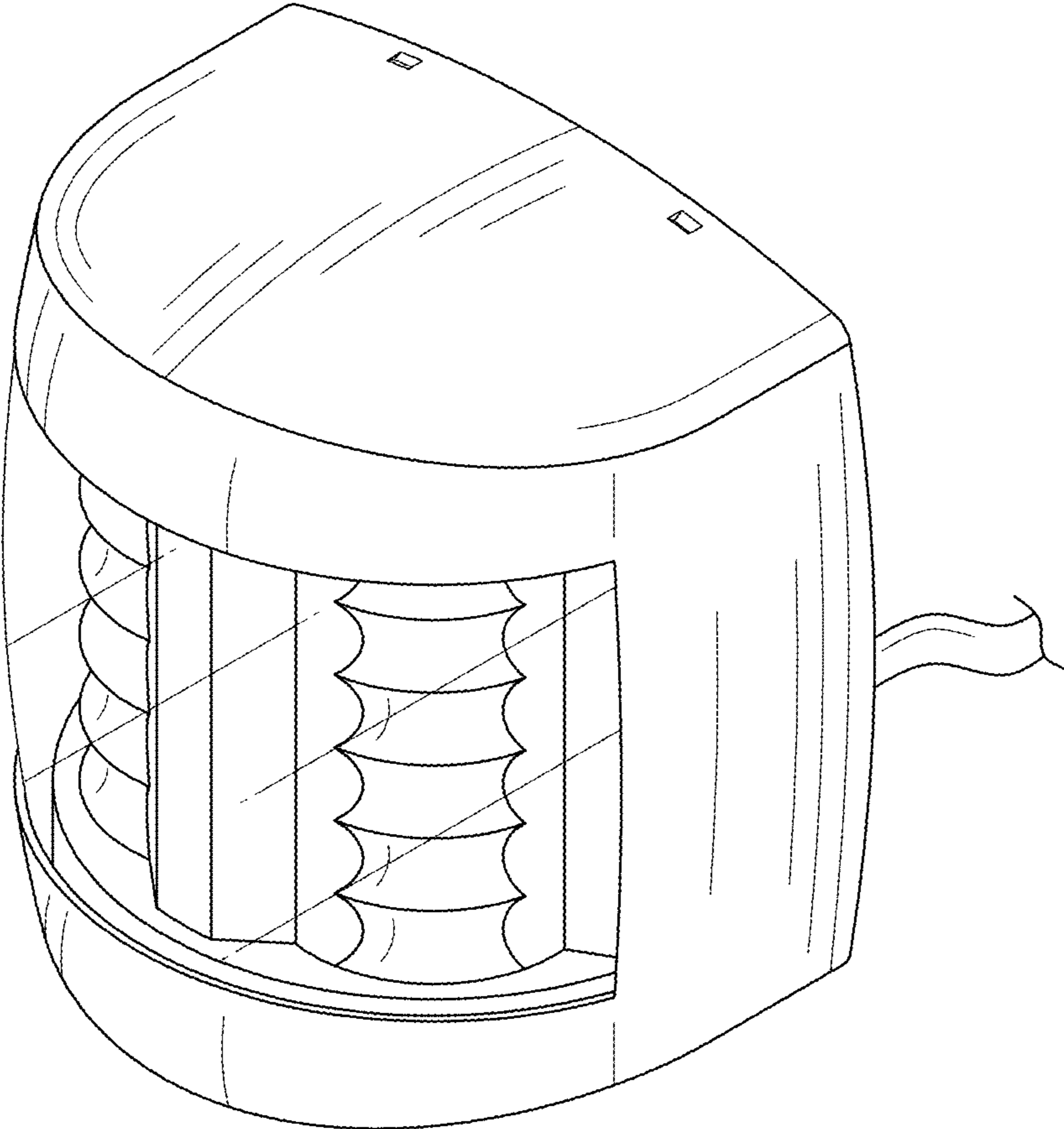


FIG. 1

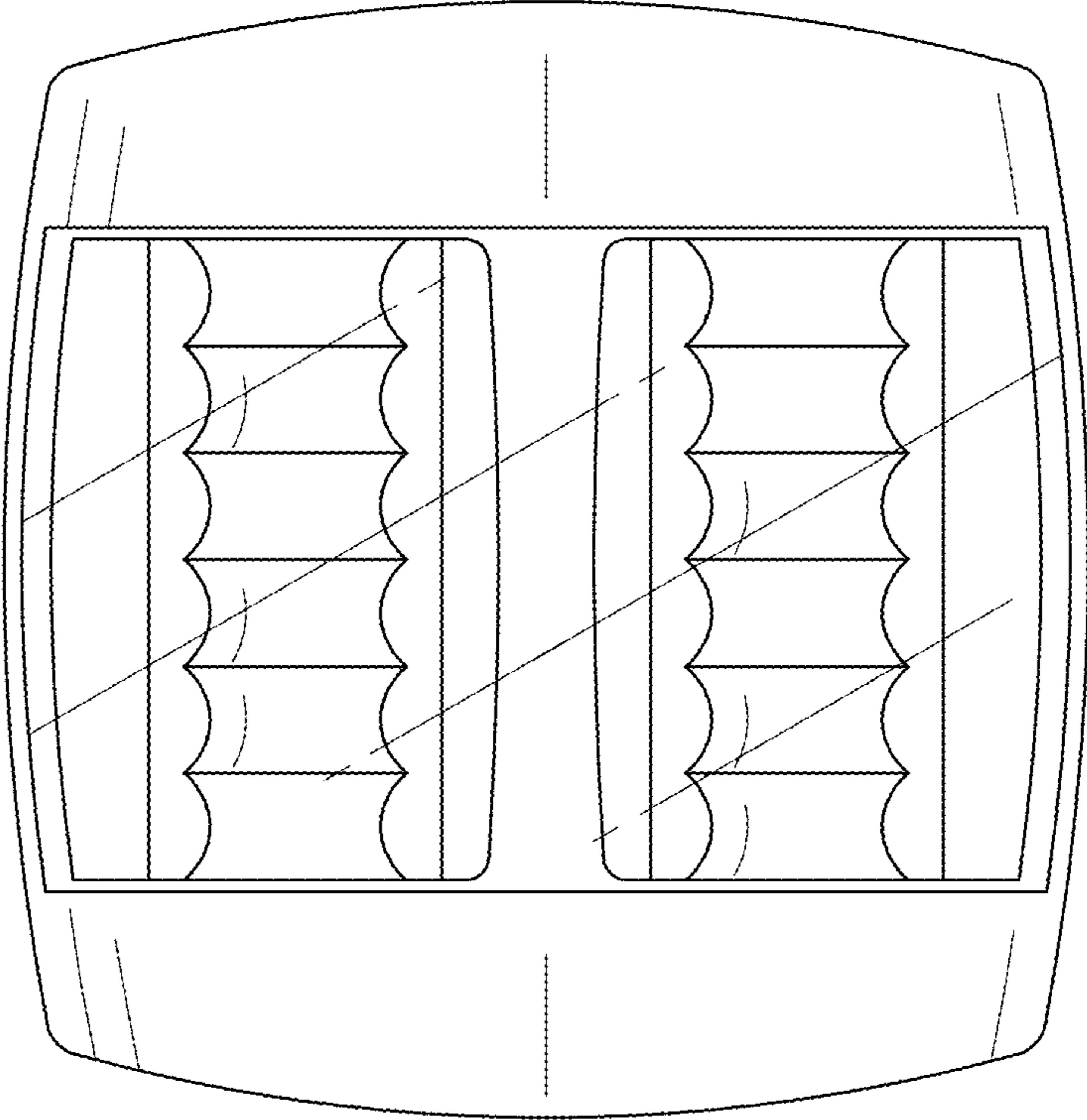


FIG. 2

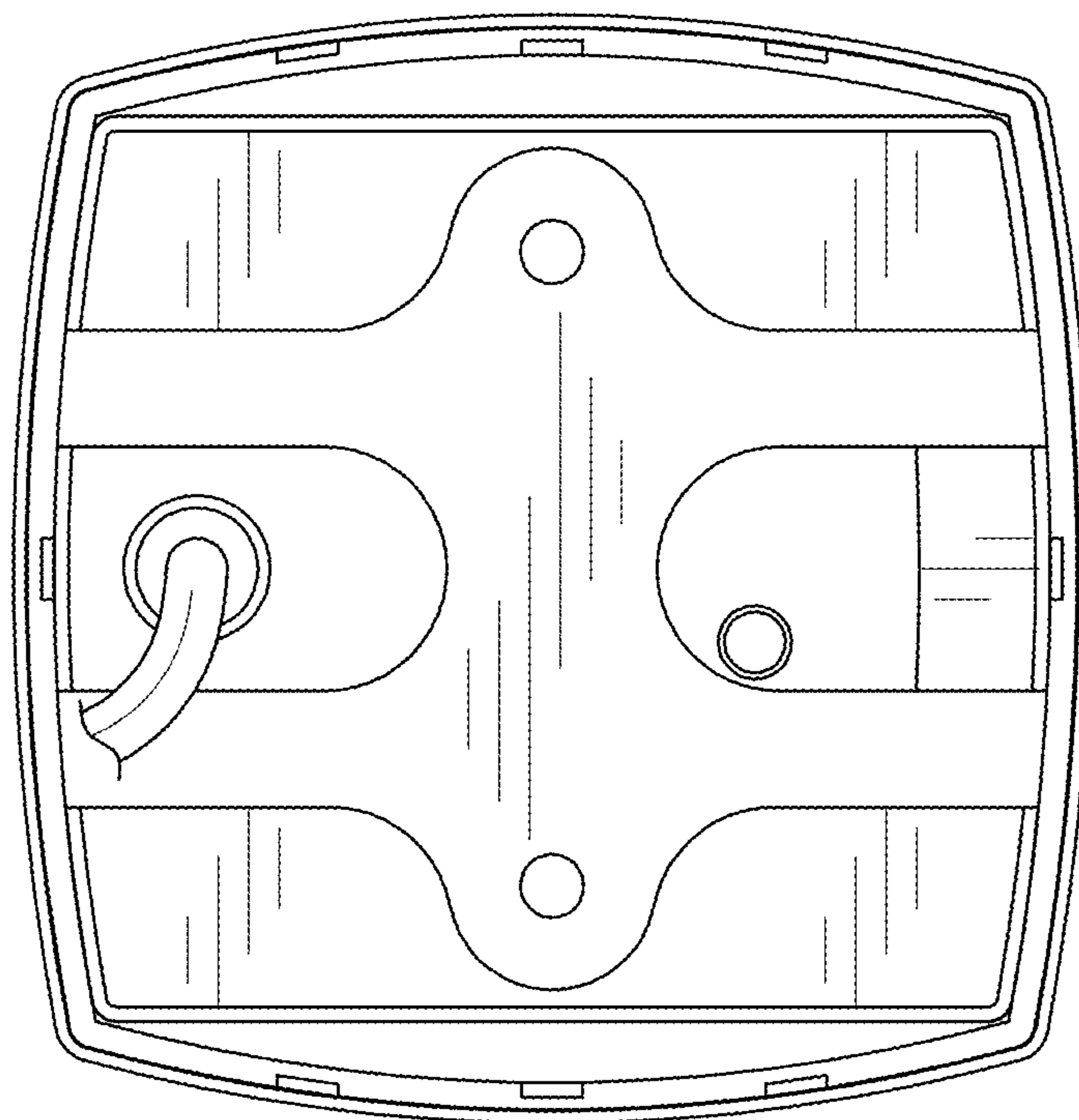


FIG. 3

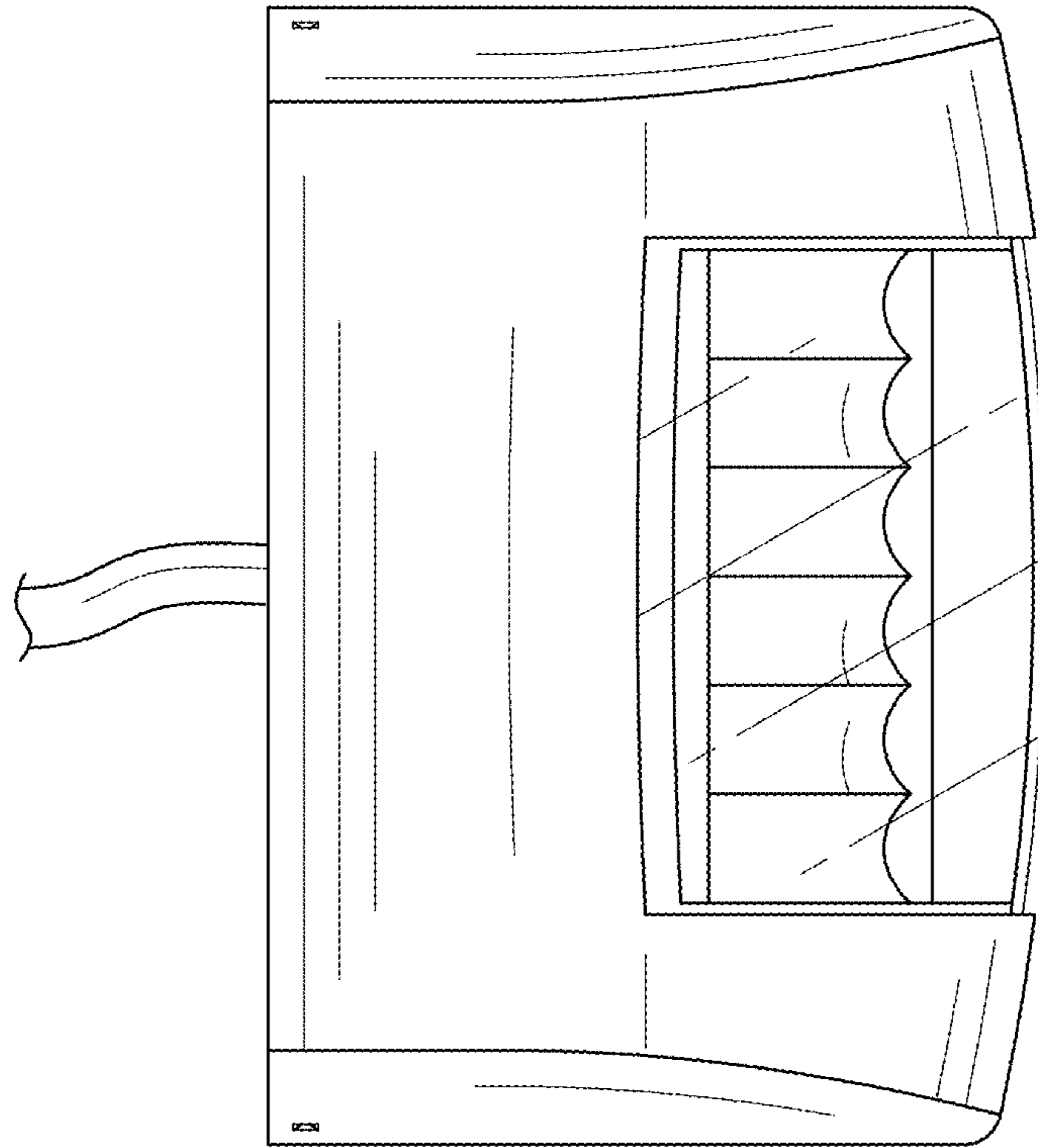


FIG. 4

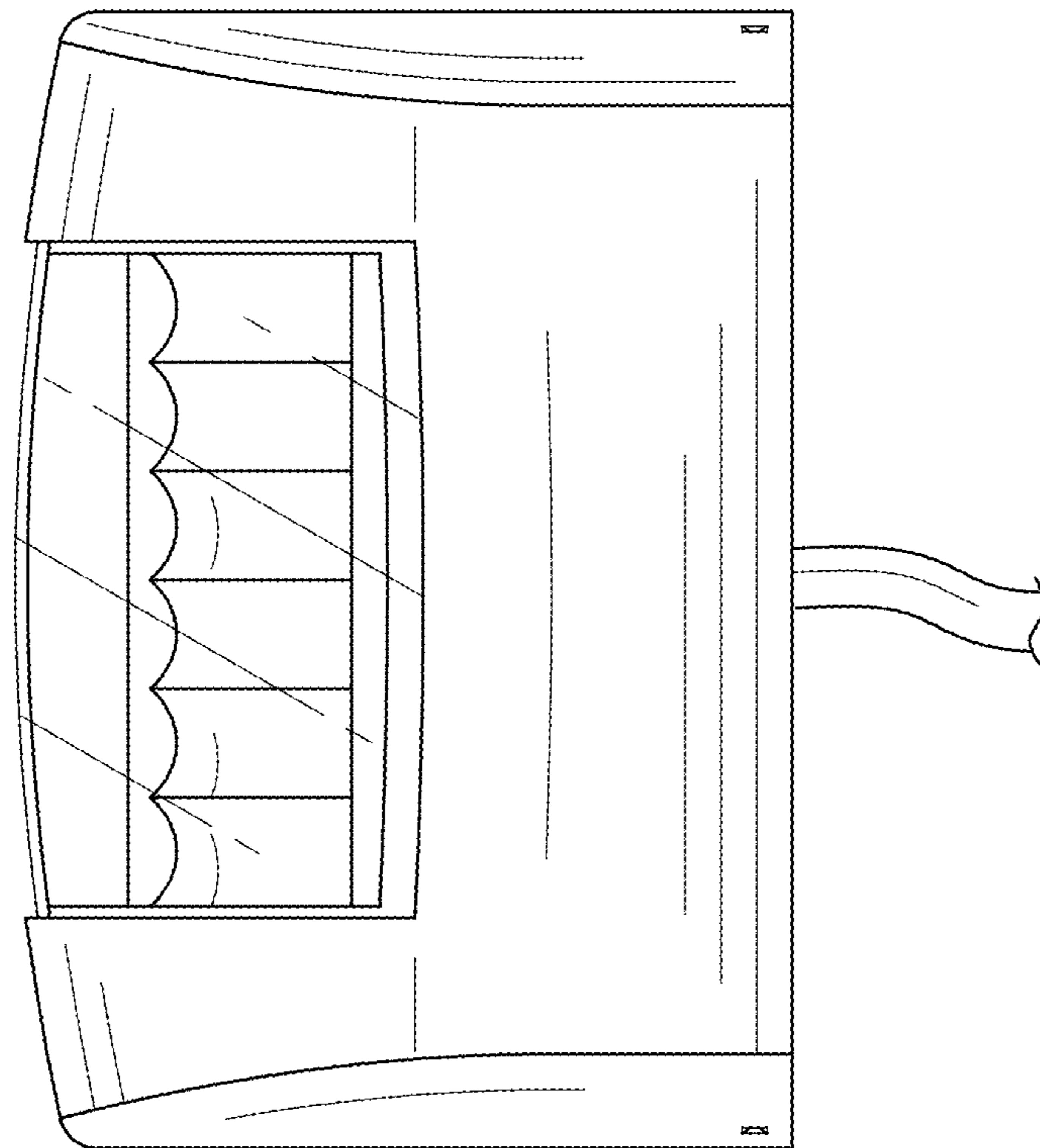


FIG. 5

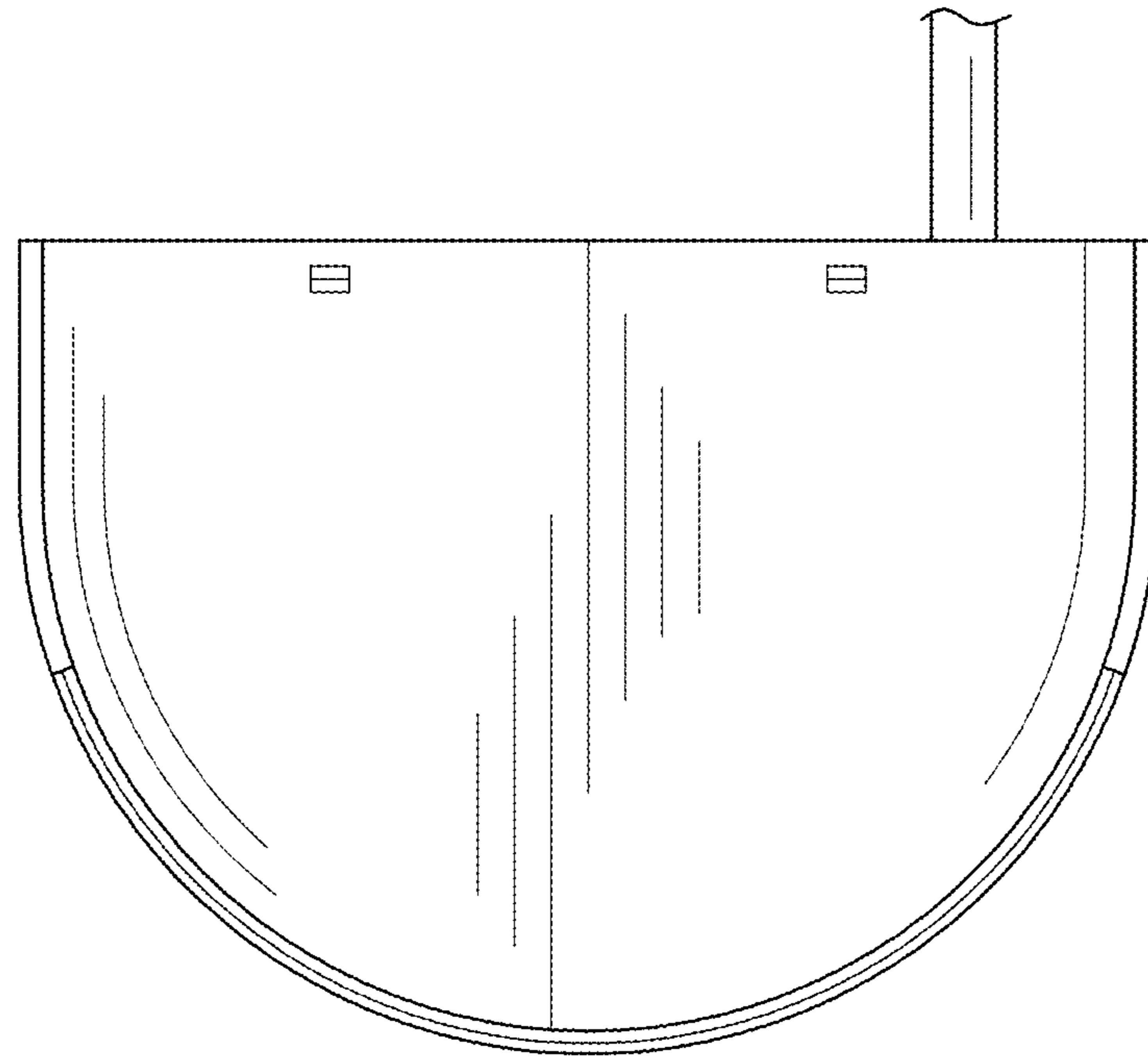


FIG. 6

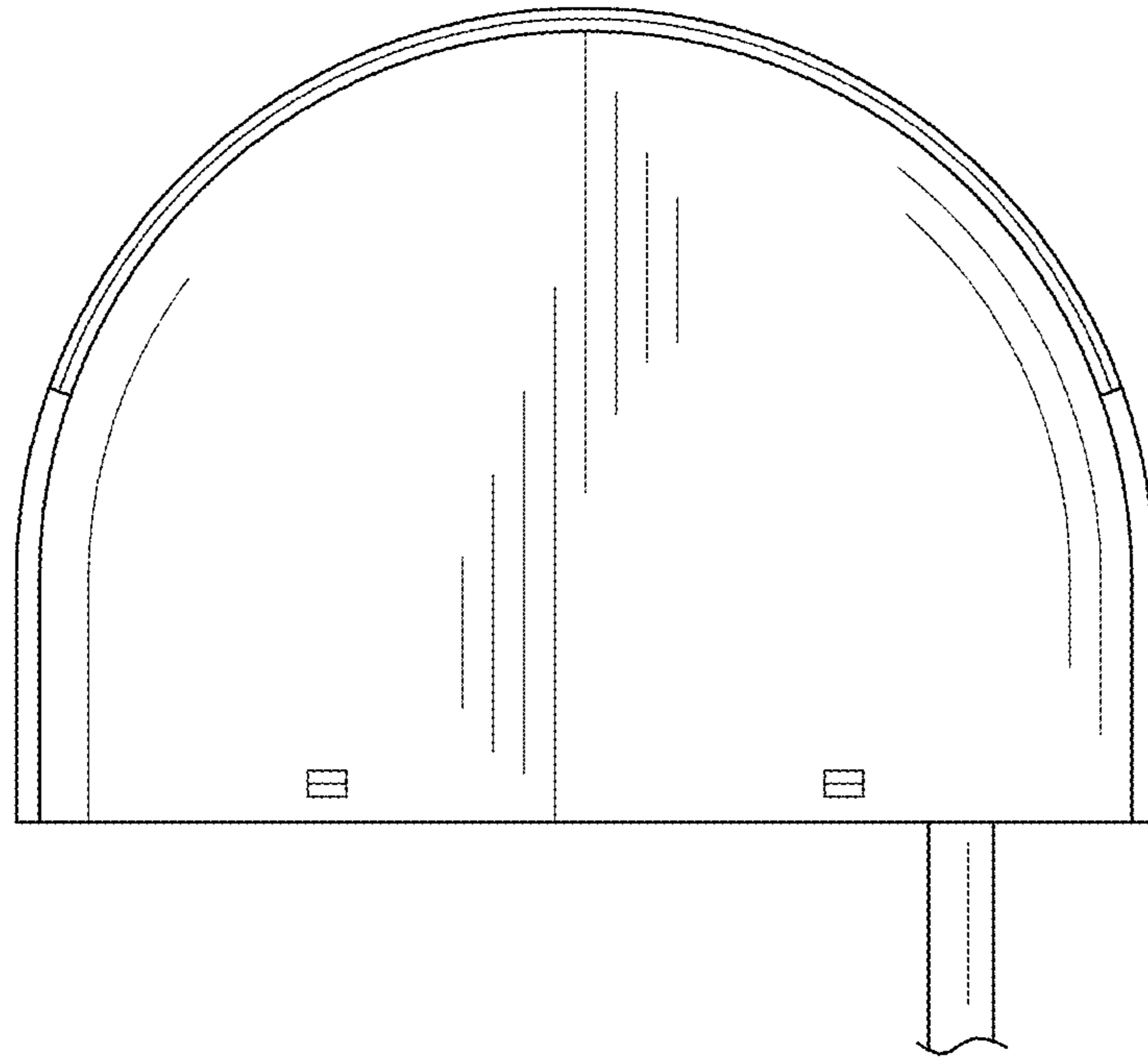


FIG. 7

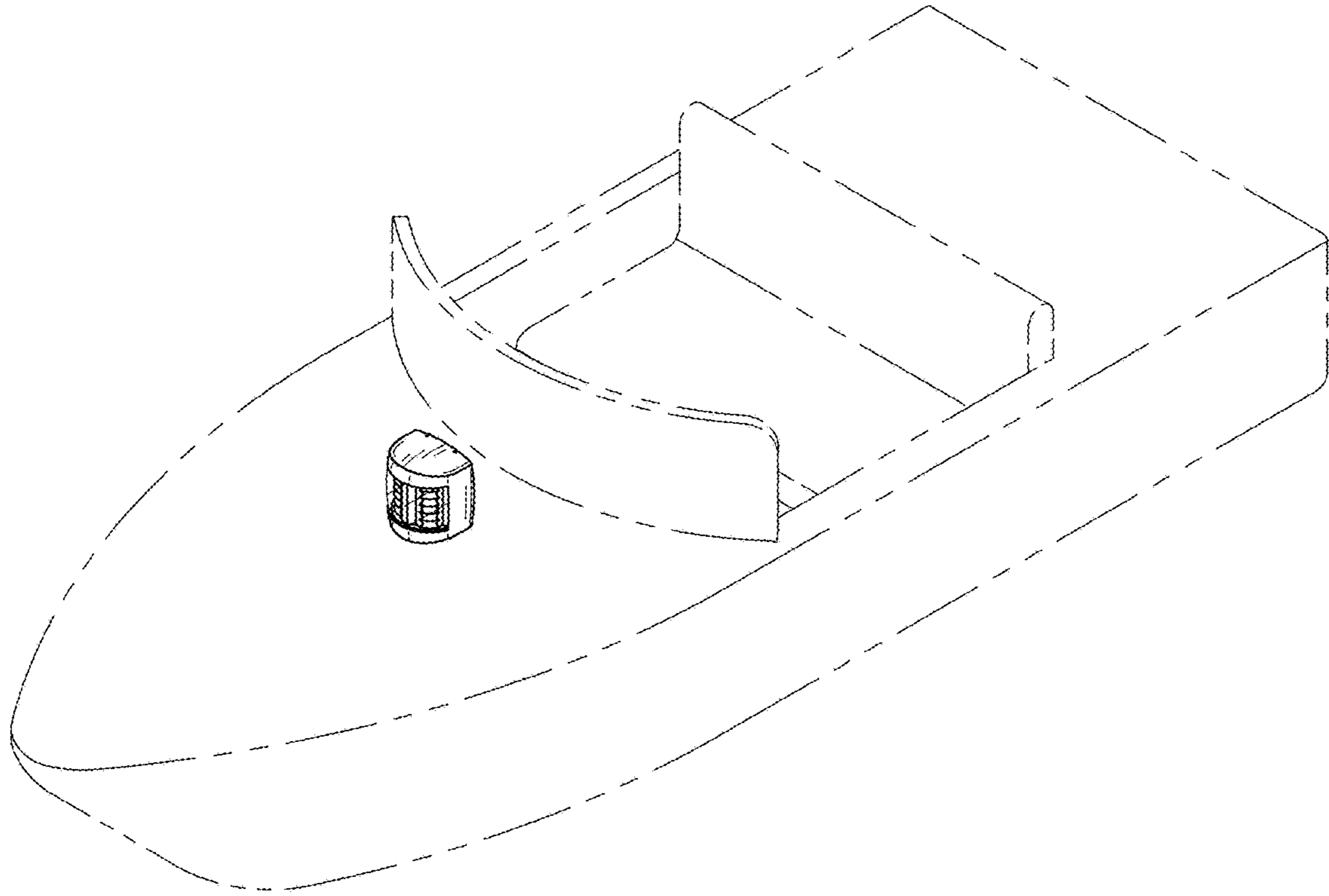


FIG. 8