



US00D785826S

(12) **United States Design Patent** (10) **Patent No.:** **US D785,826 S**  
**Svensson et al.** (45) **Date of Patent:** **\*\* May 2, 2017**

(54) **VEHICLE TAIL LAMP**

D714,984 S \* 10/2014 Lai ..... D26/28  
D737,485 S \* 8/2015 Lai ..... D26/28  
D737,486 S \* 8/2015 Lai ..... D26/28

(71) Applicant: **Ford Global Technologies, LLC,**  
Dearborn, MI (US)

(72) Inventors: **Christopher Svensson,** Chelmsford  
(GB); **Craig S. Metros,** Bloomfield, MI  
(US); **Darrell Paul Behmer,** Novi, MI  
(US); **Eric Stoddard,** Birmingham, MI  
(US)

(73) Assignee: **Ford Global Technologies, LLC,**  
Dearborn, MI (US)

(\*\*) Term: **15 Years**

(21) Appl. No.: **29/549,458**

(22) Filed: **Dec. 22, 2015**

(51) **LOC (10) Cl.** ..... **26-06**

(52) **U.S. Cl.**  
USPC ..... **D26/28**

(58) **Field of Classification Search**  
USPC ..... D26/28-36; 362/80-83, 267-269,  
362/459-468, 475-478, 485-487  
CPC ..... F21S 48/00; F21S 48/10; F21S 48/115;  
F21S 48/225; F21S 48/1233; F21S  
48/1266; F21S 48/1388; F21S 48/2268;  
F21V 21/04

See application file for complete search history.

(56) **References Cited**

**U.S. PATENT DOCUMENTS**

D370,985 S \* 6/1996 Sacco ..... D26/28  
D396,310 S \* 7/1998 Sacco ..... D26/28  
D412,214 S \* 7/1999 Hejtmanek ..... D26/28  
D450,141 S \* 11/2001 Sacco ..... D26/28  
D681,240 S 4/2013 Hamilton et al.  
D681,241 S 4/2013 Hamilton et al.

**OTHER PUBLICATIONS**

Josh Sadlier, 2017 Ford Fusion Teased in New Photos, <http://www.autotrader.com/car-news/2017-ford-fusion-teased-in-new-photos-238624> Apr. 2015.

Ciprian Florea, 2017 Ford Fusion St, <http://www.topspeed.com/cars/ford/2017-ford-fusion-st-ar171128.html> Sep. 6, 2015.

Michael Gauthier, 2017 Ford Fusion Facelift Spied in Michigan, <http://www.motor1.com/spy/59710/2017-ford-fusion-facelift-spied-in-michigan> Nov. 19, 2015.

\* cited by examiner

*Primary Examiner* — Marcus Jackson

(74) *Attorney, Agent, or Firm* — Damian Porcari

(57) **CLAIM**

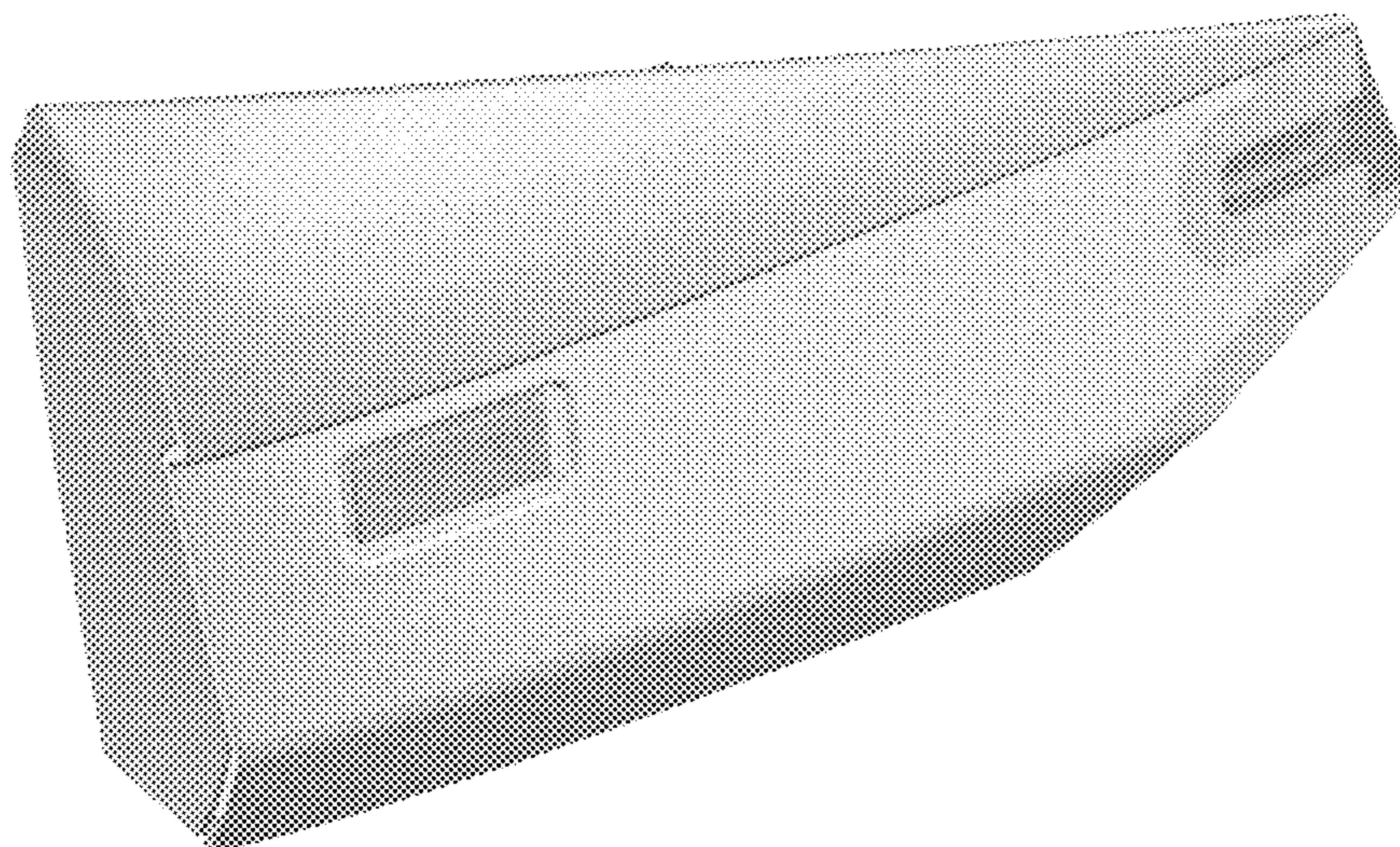
The ornamental design for a vehicle tail lamp, as shown and described.

**DESCRIPTION**

FIG. 1 is a top front perspective view of the first embodiment of a vehicle tail lamp, showing our new design; FIG. 2 is a bottom front perspective view thereof; FIG. 3 is a top rear perspective view thereof; FIG. 4 is a front elevational view thereof; FIG. 5 is a rear elevational view thereof; FIG. 6 is a left side elevational view thereof; FIG. 7 is a right side elevational view thereof; FIG. 8 is a top plan view thereof; and, FIG. 9 is a bottom plan view thereof.

The second embodiment of the vehicle tail lamp is a mirror image of the first embodiment disclosed in FIGS. 1 through 9 and is not shown.

**1 Claim, 9 Drawing Sheets**





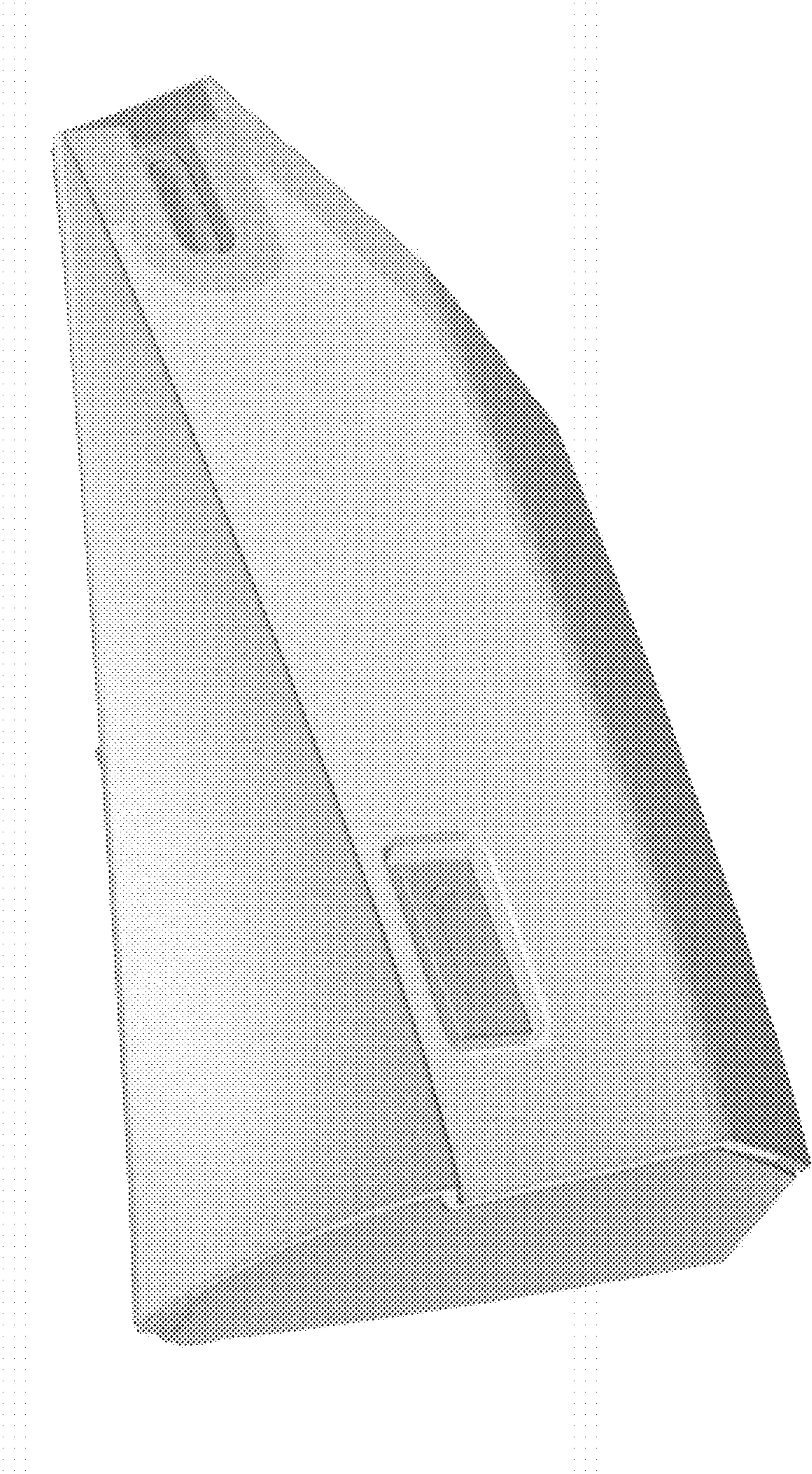


Figure 1





Figure 2



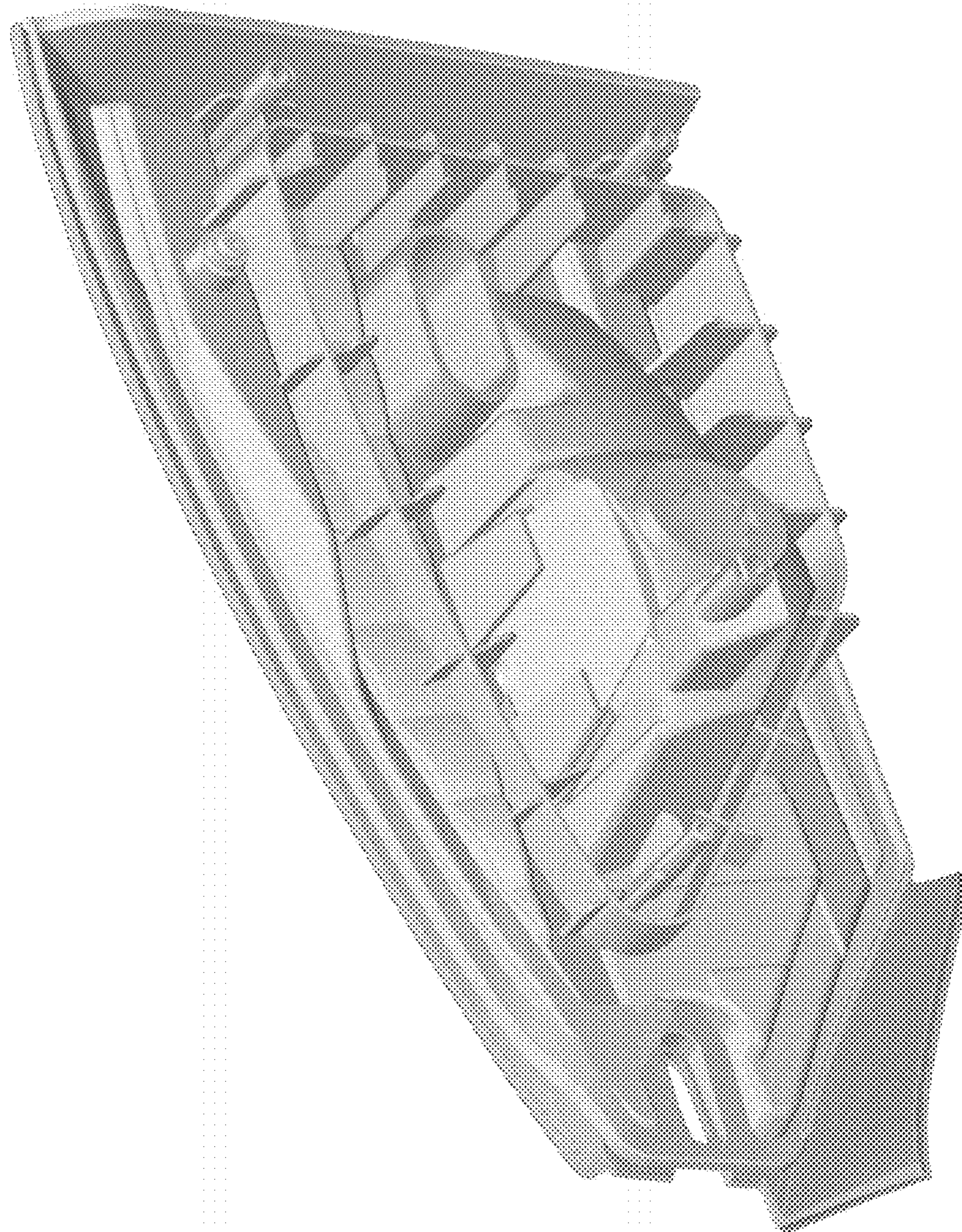
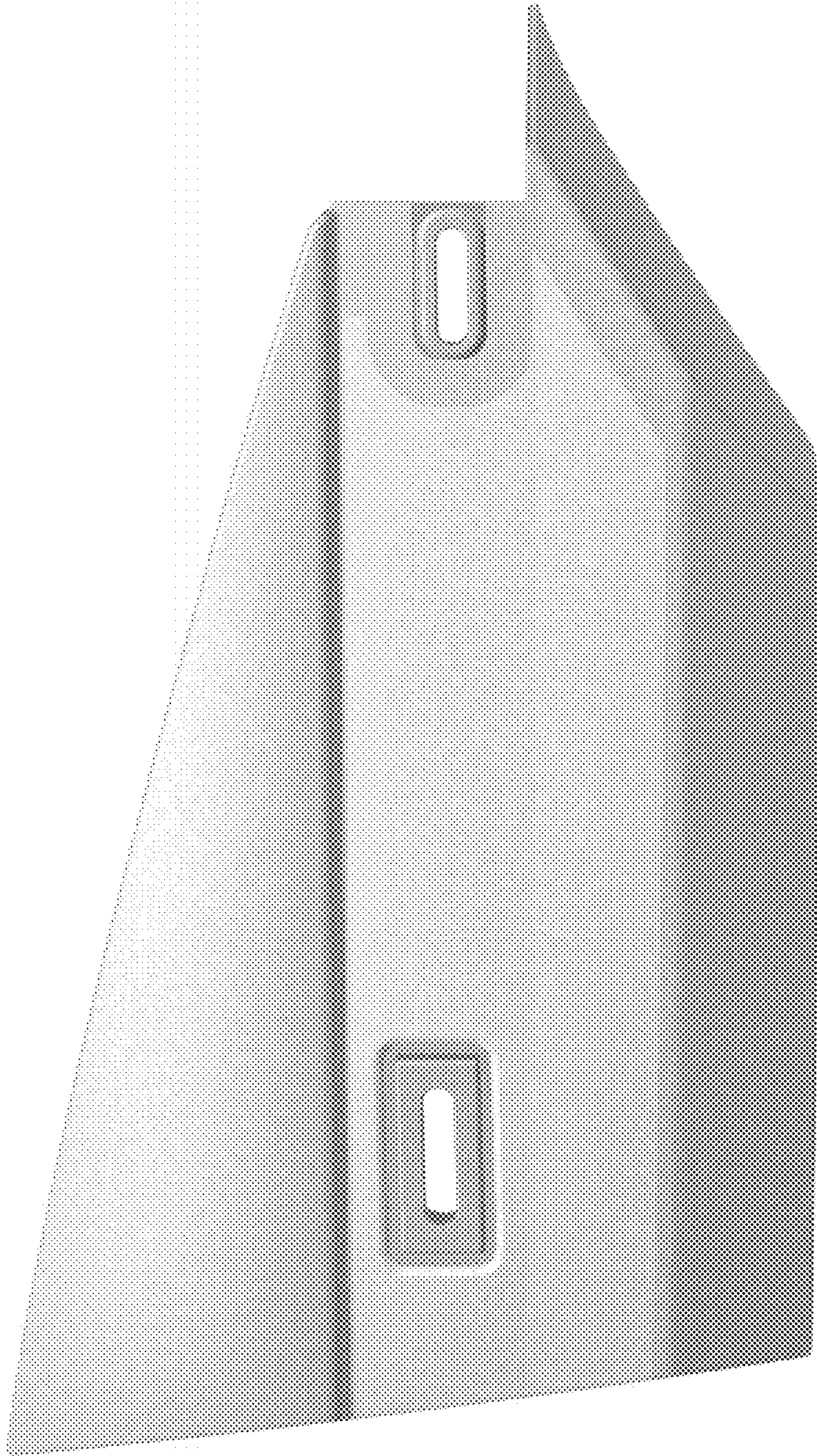


Figure 3





*Figure 4*



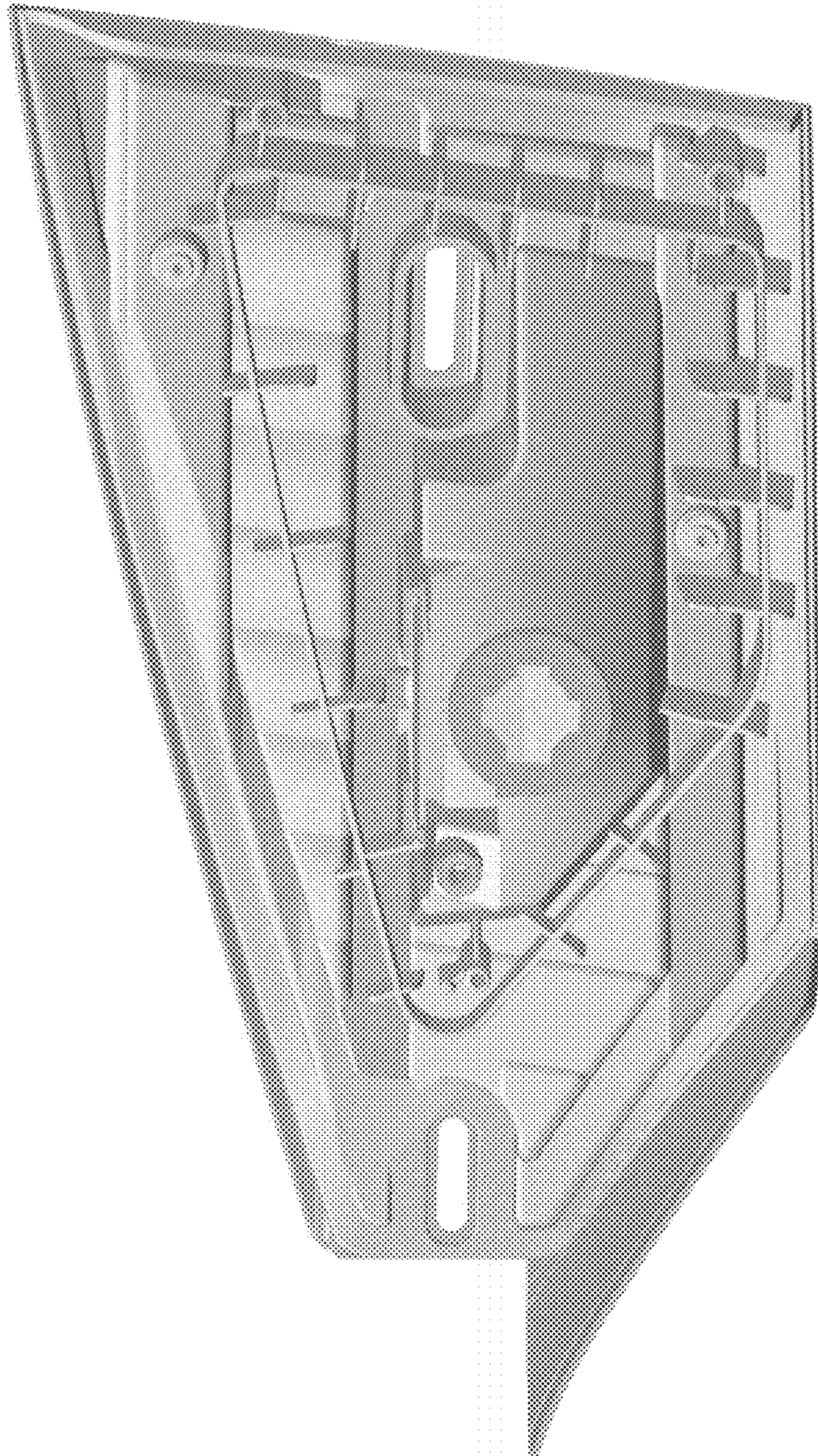


Figure 5



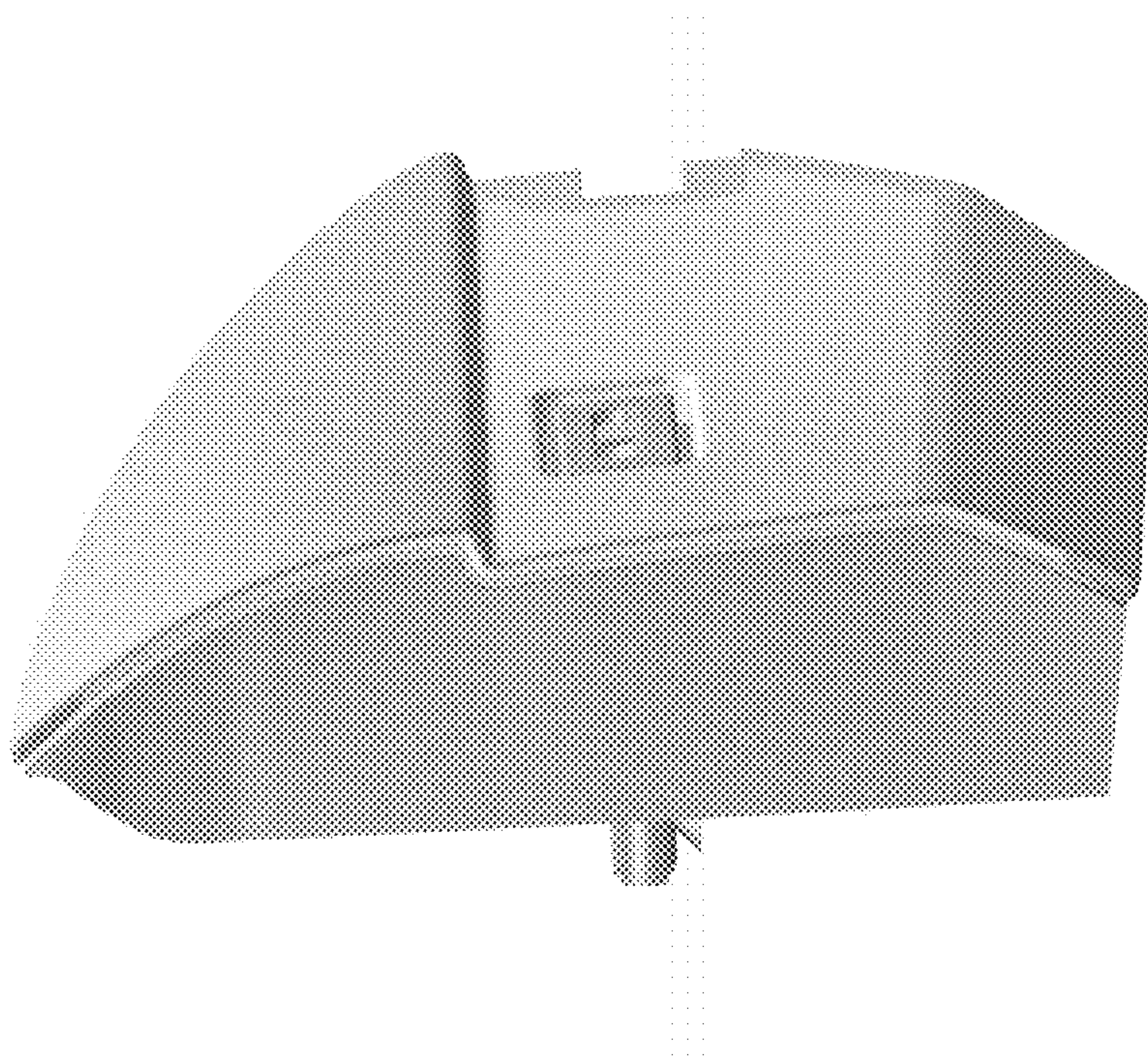


Figure 6

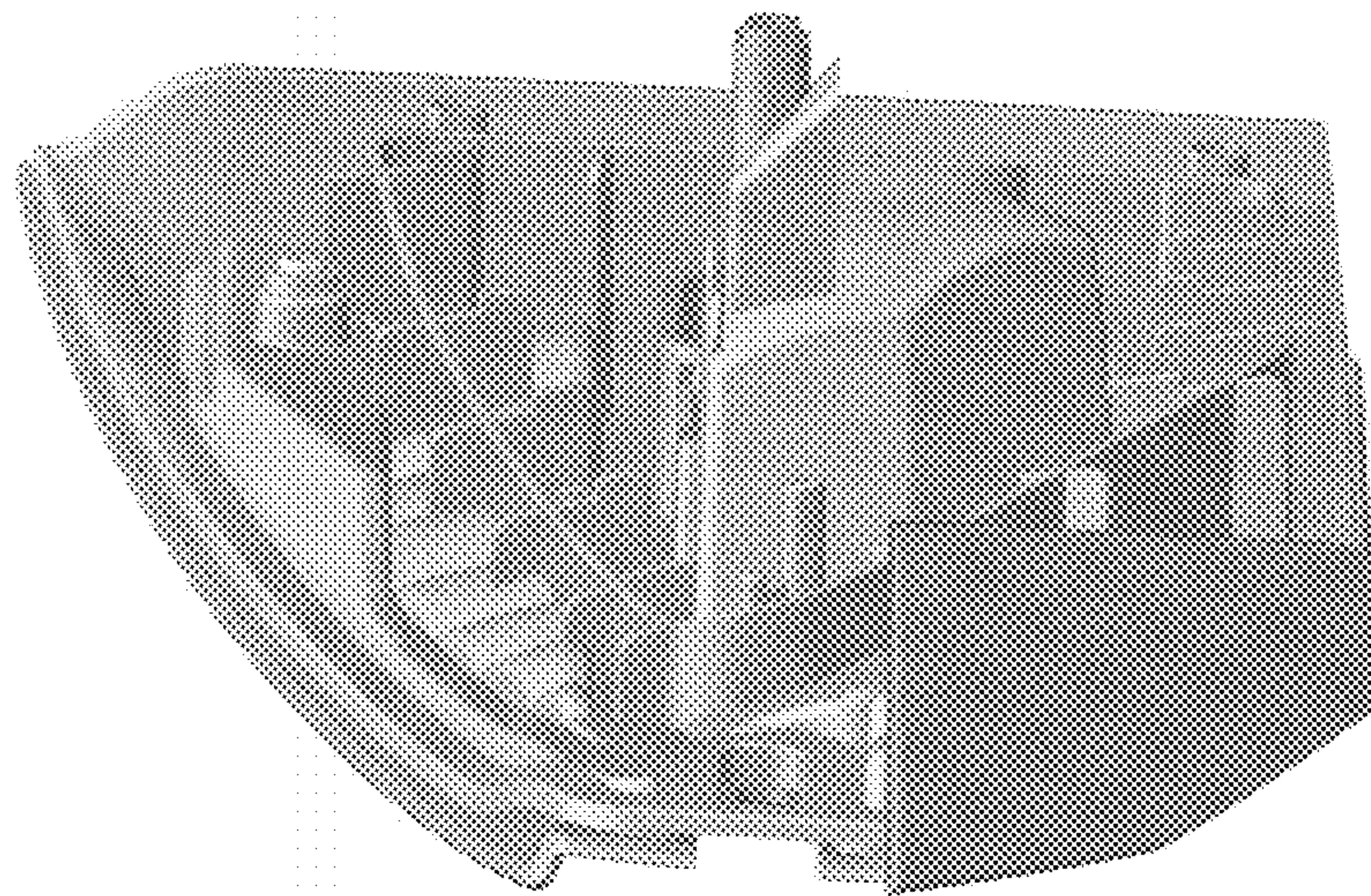


Figure 7



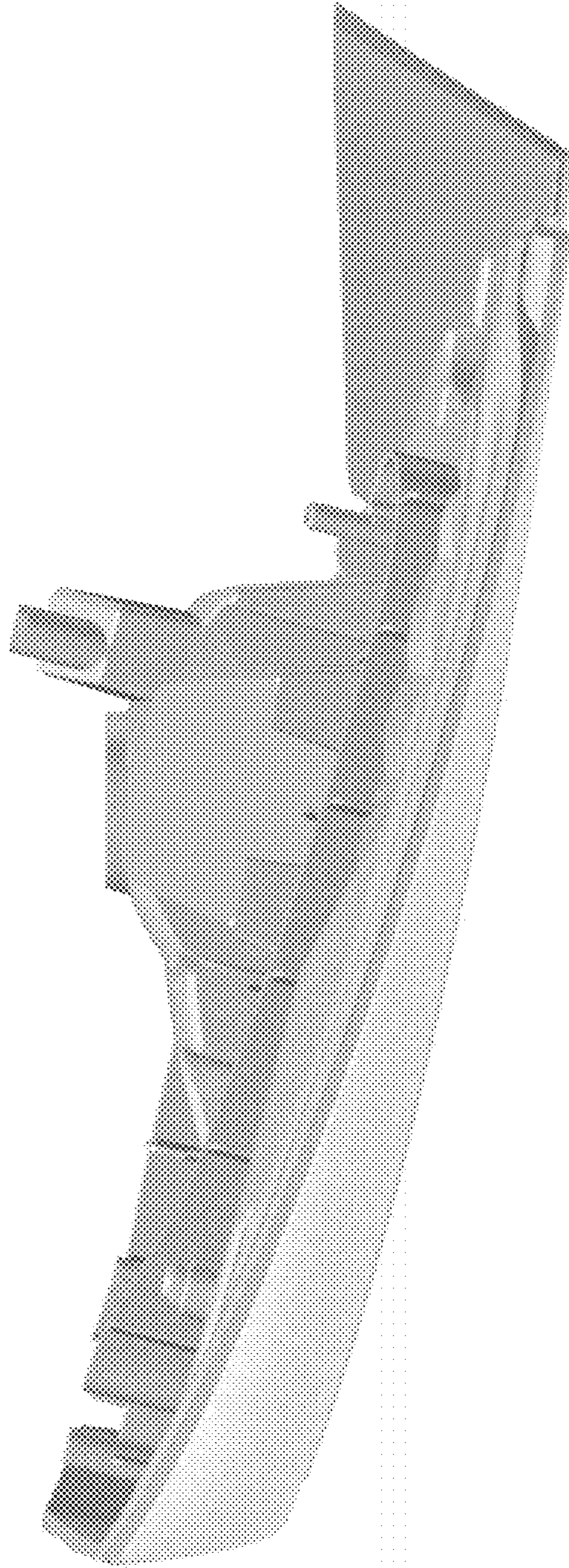


Figure 8



Figure 9

