



US00D785825S

(12) **United States Design Patent** (10) **Patent No.:** **US D785,825 S**
Svensson et al. (45) **Date of Patent:** **** May 2, 2017**

(54) **VEHICLE FOG LAMP**

D570,015 S * 5/2008 Hsu D26/28
D574,524 S * 8/2008 Tomatsu D26/28
D605,793 S * 12/2009 Weil D26/28

(71) Applicant: **Ford Global Technologies, LLC,**
Dearborn, MI (US)

(72) Inventors: **Christopher Svensson,** Chelmsford
(GB); **Craig S. Metros,** Bloomfield, MI
(US); **Darrell Paul Behmer,** Novi, MI
(US); **Eric Stoddard,** Birmingham, MI
(US)

(73) Assignee: **Ford Global Technologies, LLC,**
Dearborn, MI (US)

(**) Term: **15 Years**

(21) Appl. No.: **29/549,398**

(22) Filed: **Dec. 22, 2015**

(51) **LOC (10) Cl.** **26-06**

(52) **U.S. Cl.**
USPC **D26/28**

(58) **Field of Classification Search**
USPC D26/28-36; 362/80-83, 267-269,
362/459-468, 475-478, 485-487
CPC F21S 48/00; F21S 48/10; F21S 48/115;
F21S 48/225; F21S 48/1233; F21S
48/1266; F21S 48/1388; F21S 48/2268;
F21V 21/04

See application file for complete search history.

(56) **References Cited**

U.S. PATENT DOCUMENTS

D541,445 S * 4/2007 Lin D26/28
D549,363 S * 8/2007 Pfeiffer D26/28
D552,769 S * 10/2007 Leclercq D26/28

OTHER PUBLICATIONS

Josh Sadlier, 2017 Ford Fusion Teased in New Photos, <http://www.autotrader.com/car-news/2017-ford-fusion-teased-in-new-photos-238624> Apr. 2015.
Ciprian Florea, 2017 Ford Fusion St, <http://www.topspeed.com/cars/ford/2017-ford-fusion-st-ar171128.html> Sep. 6, 2015.
Michael Gauthier, 2017 Ford Fusion Facelift Spied in Michigan, <http://www.motor1.com/spy/59710/2017-ford-fusion-facelift-spied-in-michigan> Nov. 19, 2015.

* cited by examiner

Primary Examiner — Marcus Jackson

(74) *Attorney, Agent, or Firm* — Damian Porcari

(57) **CLAIM**

The ornamental design for a vehicle fog lamp, as shown and described.

DESCRIPTION

FIG. 1 is a top front perspective view of a left vehicle fog lamp. The novel design also includes an embodiment of a right vehicle fog lamp which is mirror symmetrical to the embodiment of FIGS. 1-9, and is therefore not separately illustrated.

FIG. 2 is a bottom front perspective view thereof;

FIG. 3 is a top rear perspective view thereof;

FIG. 4 is a front elevational view thereof;

FIG. 5 is a rear elevational view thereof;

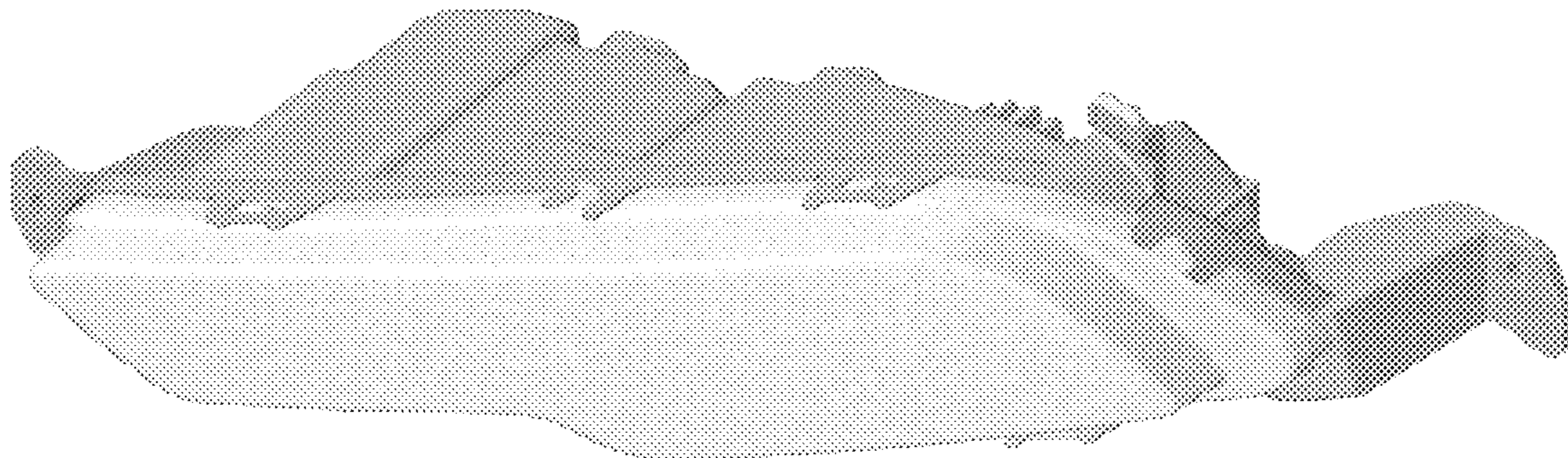
FIG. 6 is a left side elevational view thereof;

FIG. 7 is a right side elevational view thereof;

FIG. 8 is a top plan view thereof; and,

FIG. 9 is a bottom plan view thereof.

1 Claim, 9 Drawing Sheets



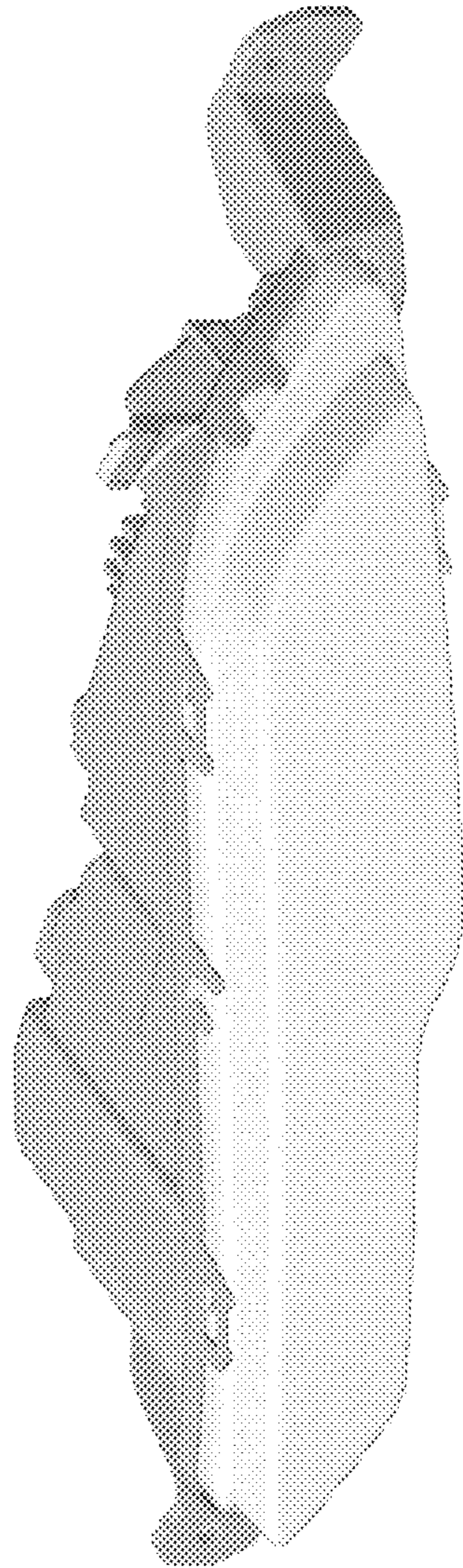


Figure 1

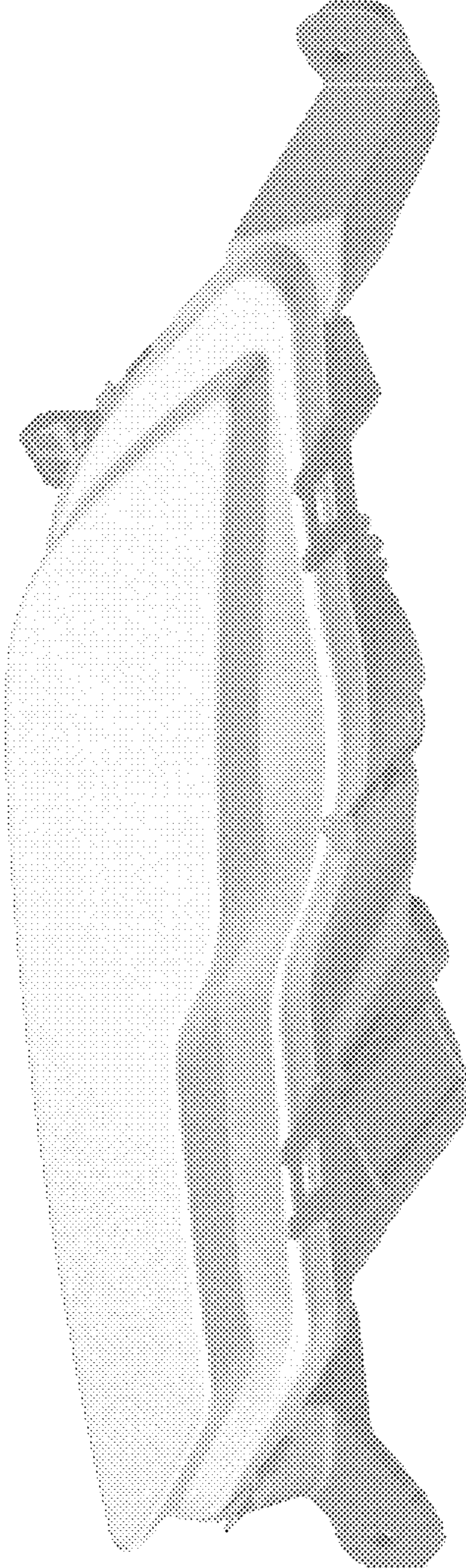


Figure 2

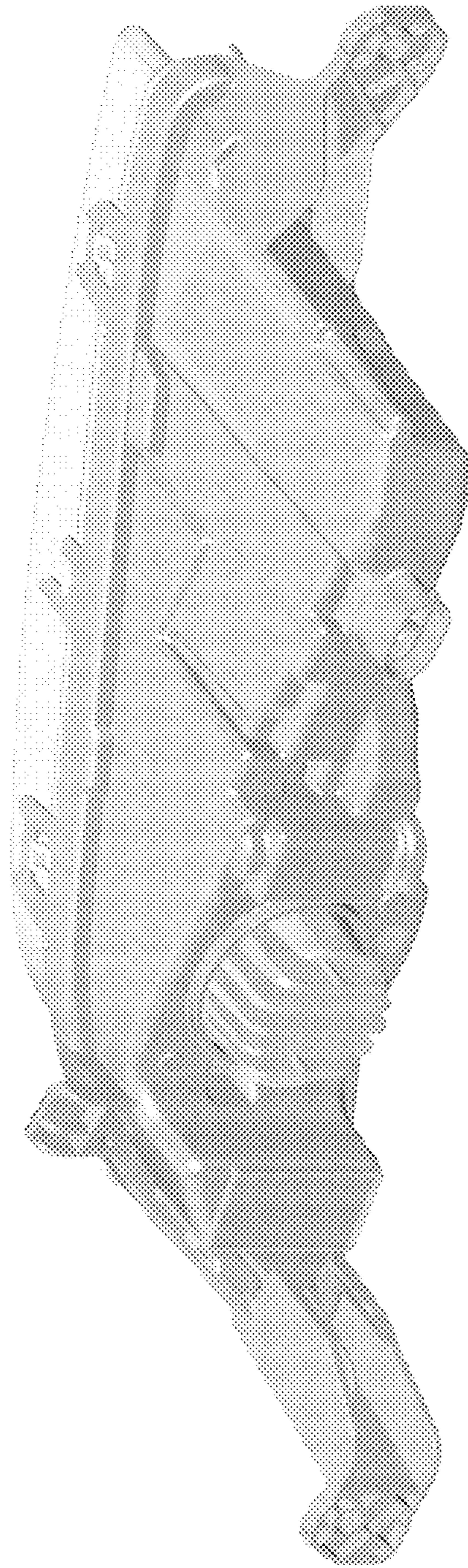


Figure 3

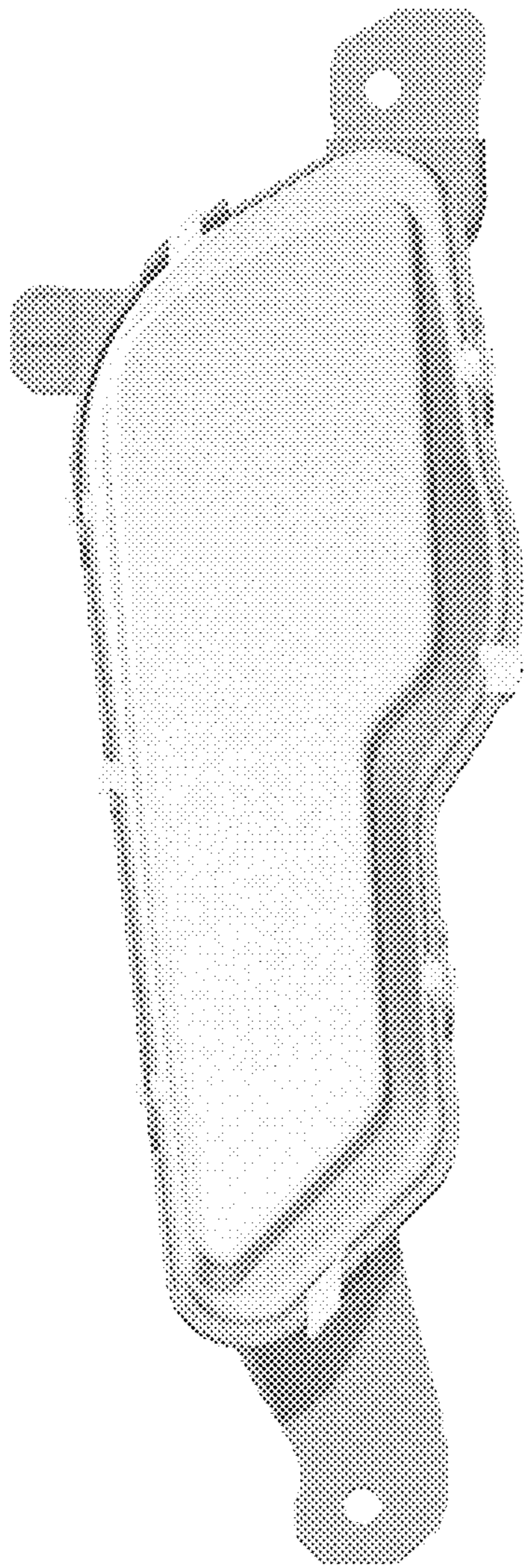


Figure 4

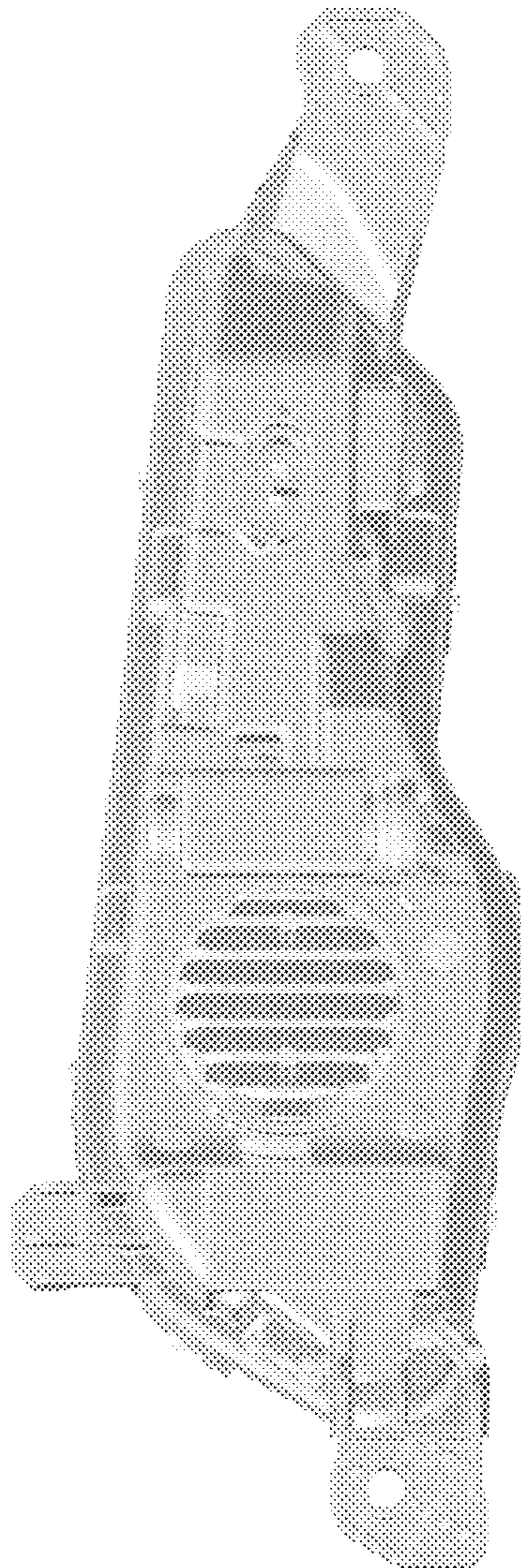


Figure 5

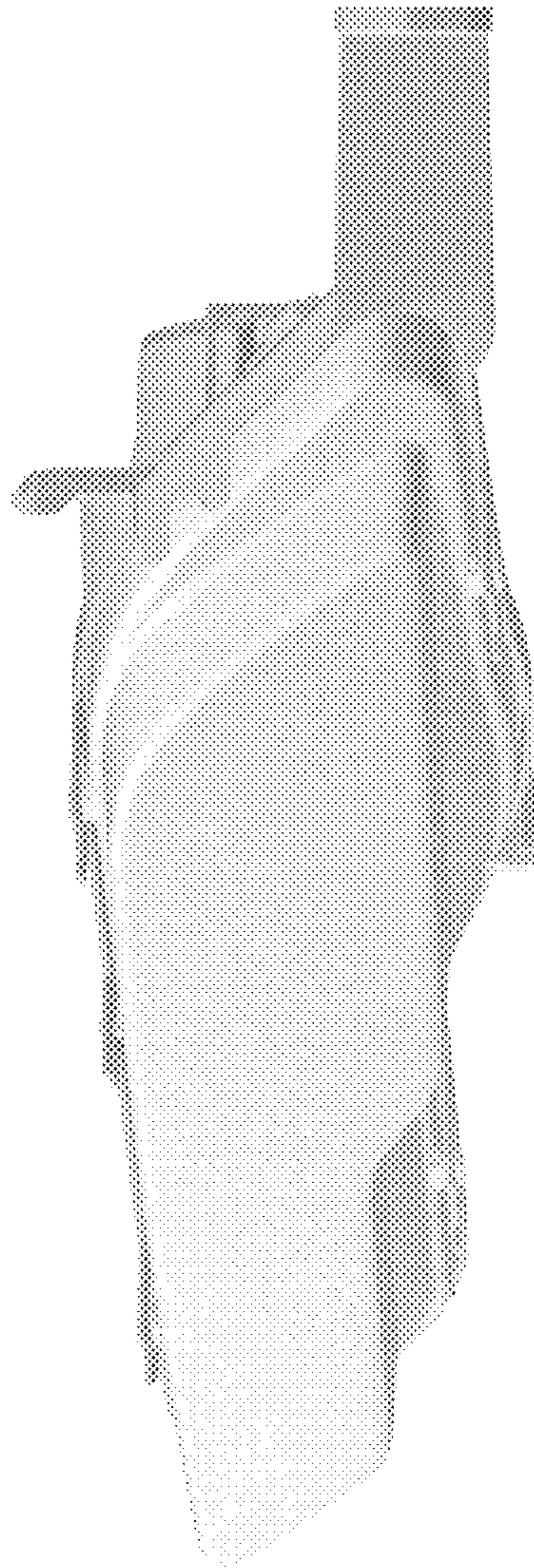


Figure 6

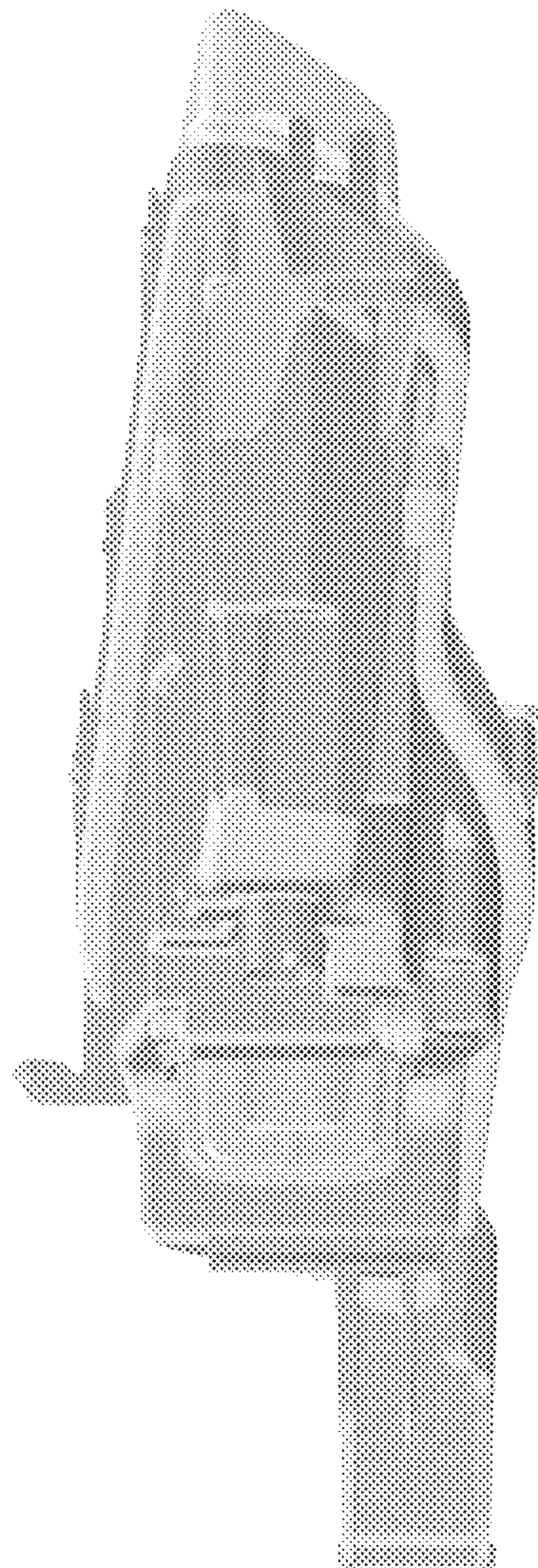


Figure 7

Figure 8

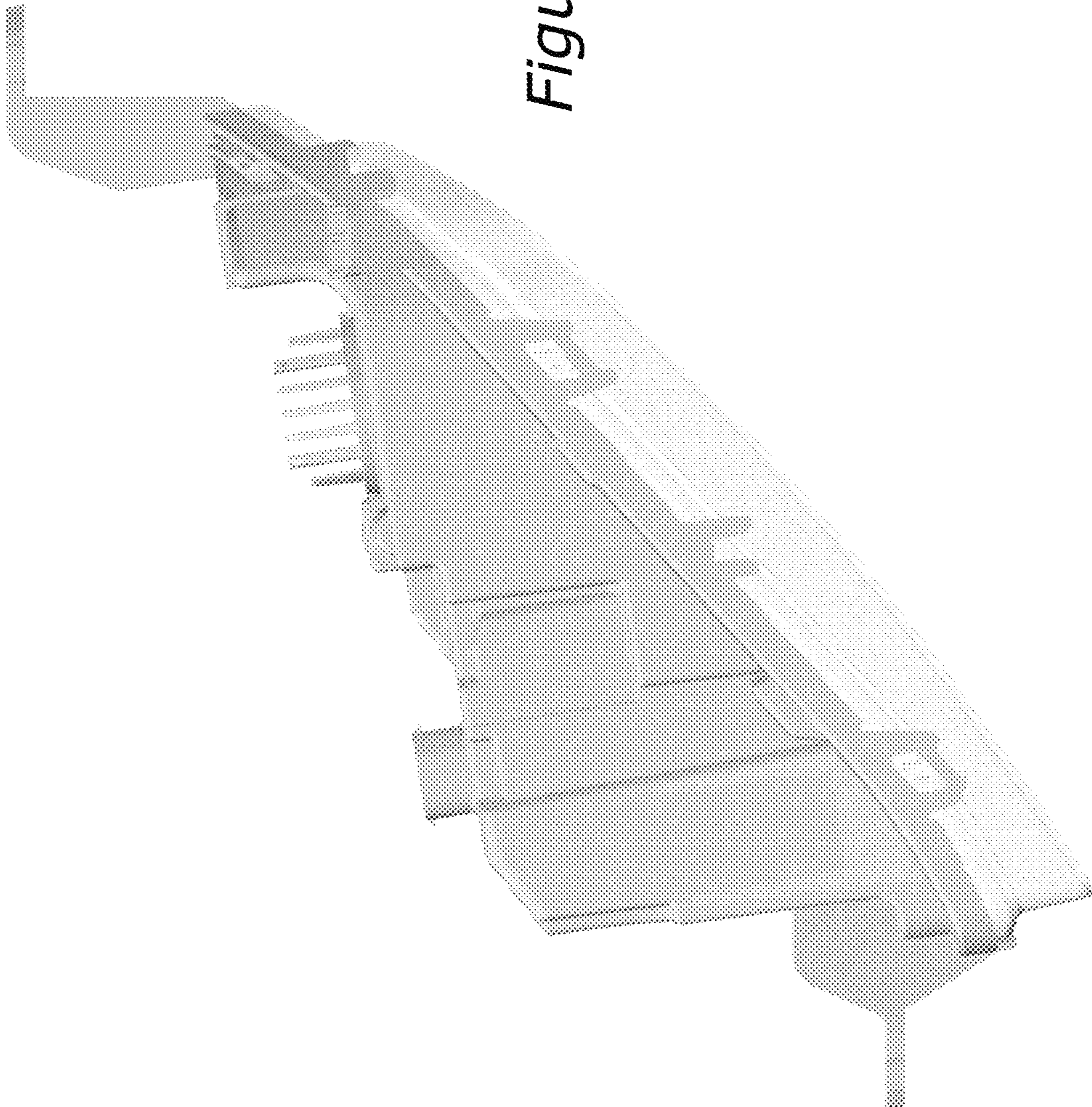


Figure 9

