



US00D785820S

(12) **United States Design Patent**
Gao et al.

(10) **Patent No.:** **US D785,820 S**

(45) **Date of Patent:** **** May 2, 2017**

(54) **INTEGRATED LAMP TUBE**

(71) Applicant: **MLS Co., Ltd.**, Zhongshan, Guangdong Province (CN)

(72) Inventors: **Jianli Gao**, Zhongshan (CN);
Tianming Liu, Zhongshan (CN);
Yujiao Li, Zhongshan (CN)

(73) Assignee: **MLS CO., LTD.**, Zhongshan (CN)

(**) Term: **14 Years**

(21) Appl. No.: **29/517,085**

(22) Filed: **Feb. 10, 2015**

(51) **LOC (10) Cl.** **26-04**

(52) **U.S. Cl.**
USPC **D26/2**

(58) **Field of Classification Search**
USPC D26/1-4; 313/313, 315, 317, 318, 493;
315/52, 53, 56, 57, 58
CPC F21Y 2103/00
See application file for complete search history.

(56) **References Cited**

U.S. PATENT DOCUMENTS

D606,673 S * 12/2009 Kao D26/3
D662,629 S * 6/2012 Tung D26/3

D732,718 S * 6/2015 Amrine, Jr. D26/3
D733,942 S * 7/2015 Chen D26/3
D752,250 S * 3/2016 Rowlette, Jr. D26/2
2016/0178169 A1* 6/2016 Keser F21V 19/00
362/217.14
2016/0219666 A1* 7/2016 Xiong H05B 33/0845

* cited by examiner

Primary Examiner — Lakiya Rogers

Assistant Examiner — Harold E Blackwell, II

(74) *Attorney, Agent, or Firm* — Ming Chow; Sinorica, LLC

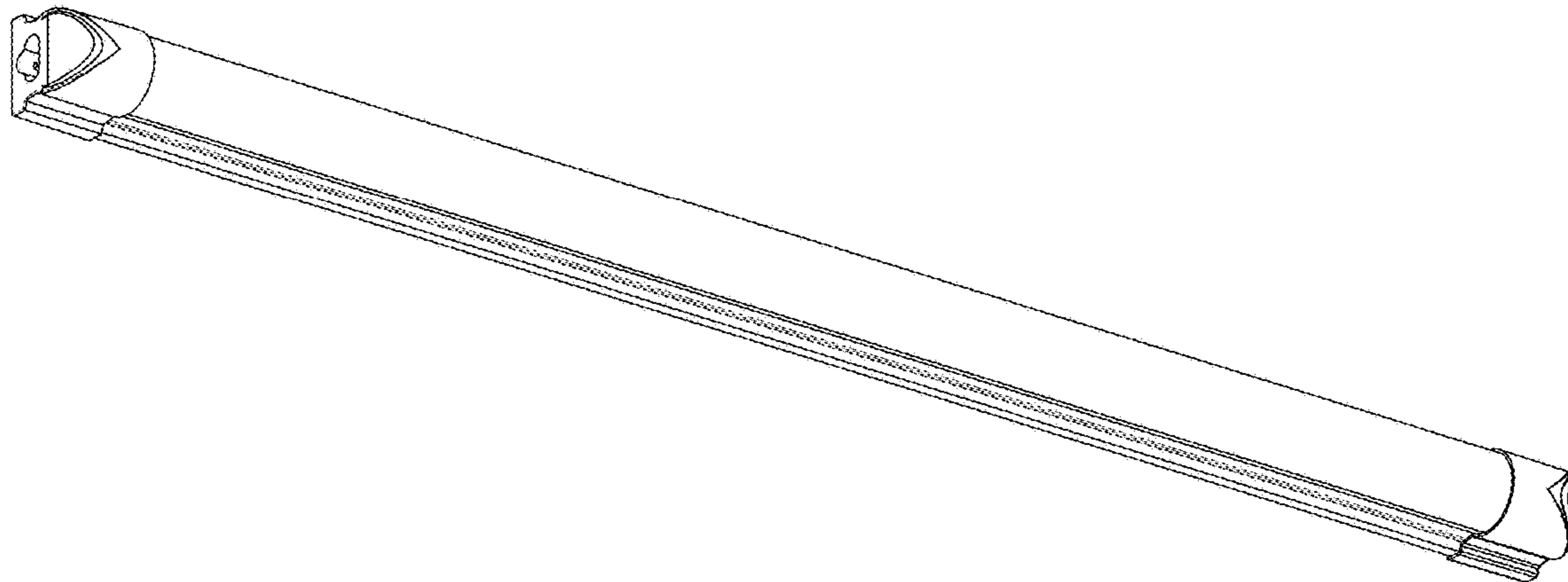
(57) **CLAIM**

The ornamental design for an integrated lamp tube, as shown and described.

DESCRIPTION

FIG. 1 is a front side perspective view of an integrated lamp tube showing my new design;
FIG. 2 is a front elevational view thereof;
FIG. 3 is a top plan view thereof;
FIG. 4 is a bottom plan view thereof;
FIG. 5 is a left side elevational view thereof;
FIG. 6 is a right side elevational view thereof;
FIG. 7 is an enlarged left side elevational view thereof; and,
FIG. 8 is an enlarged right side elevational view thereof.

1 Claim, 8 Drawing Sheets



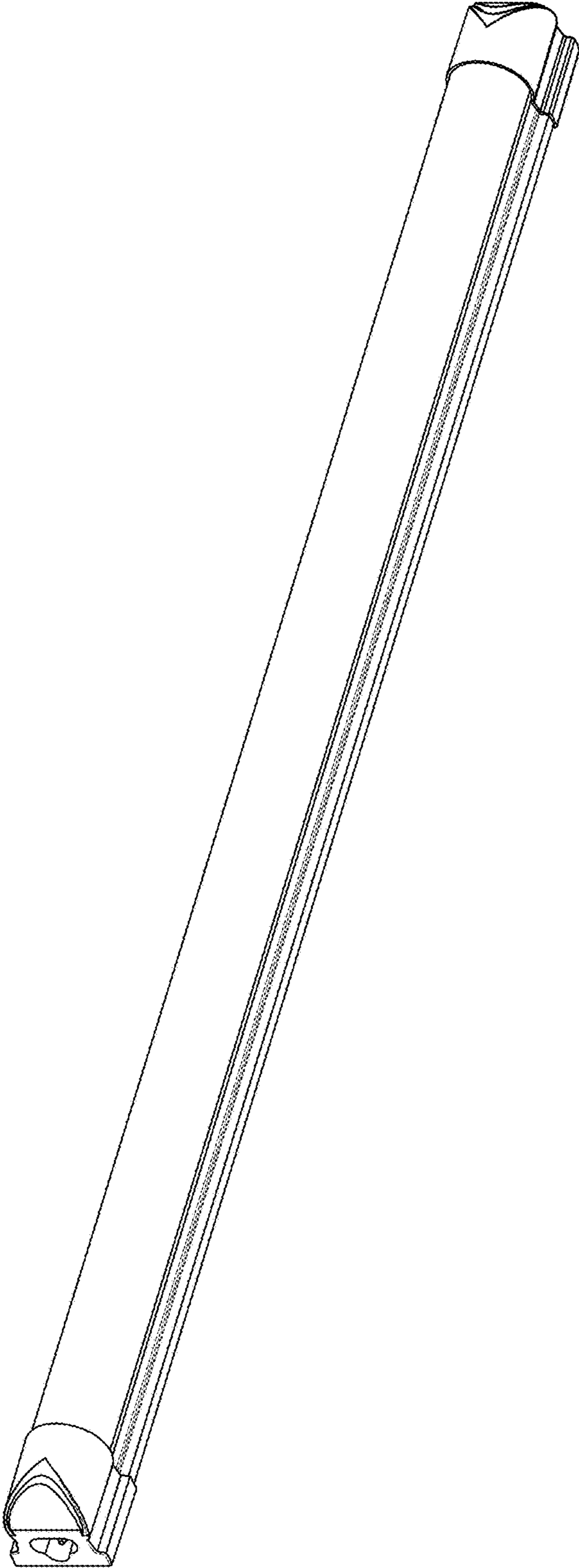


FIG.1

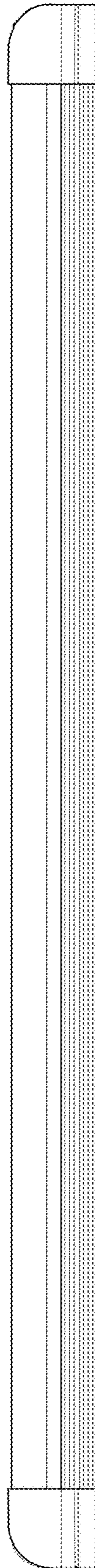


FIG.2

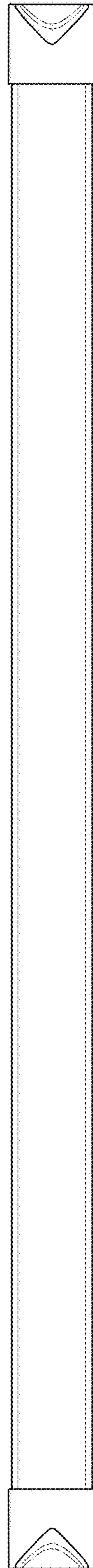


FIG.3

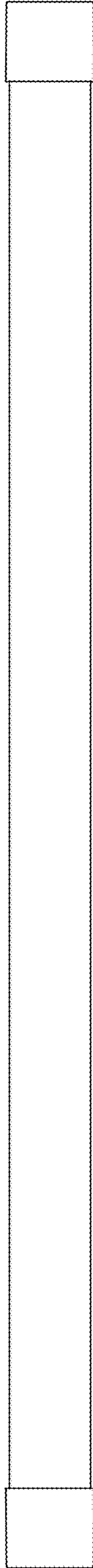


FIG.4

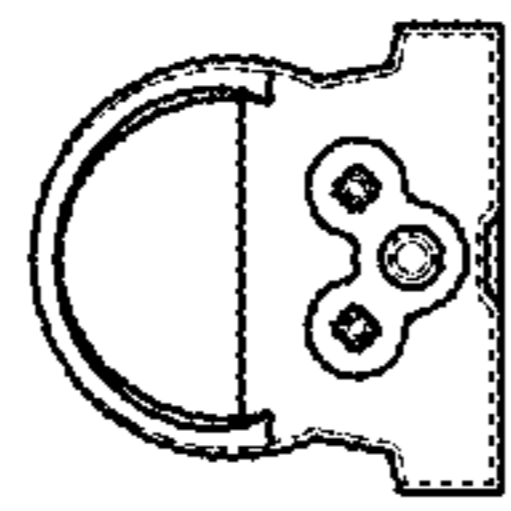


FIG. 5

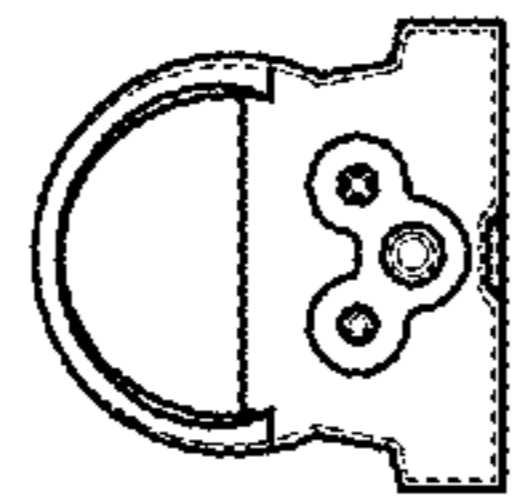


FIG.6

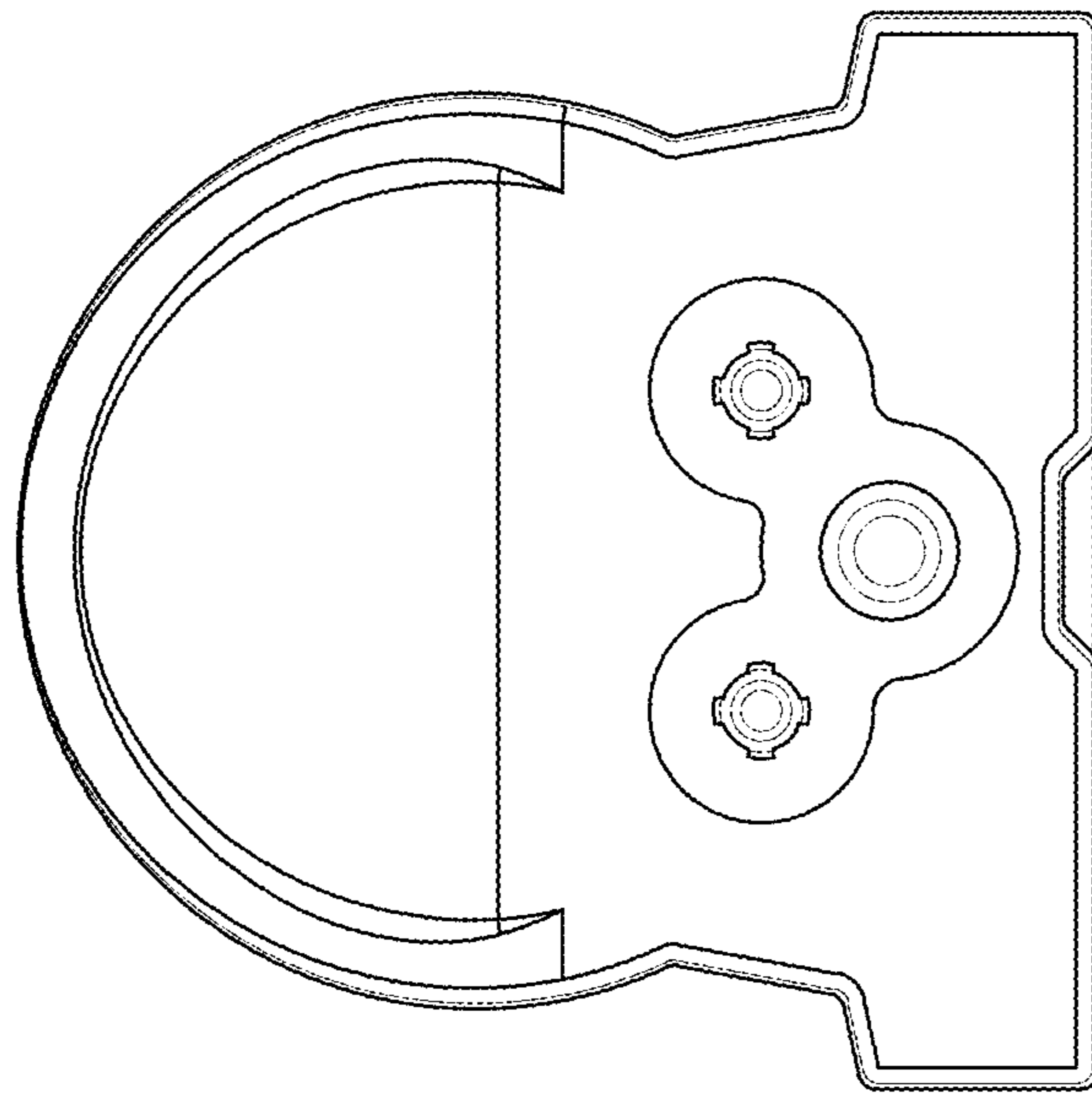


FIG. 7

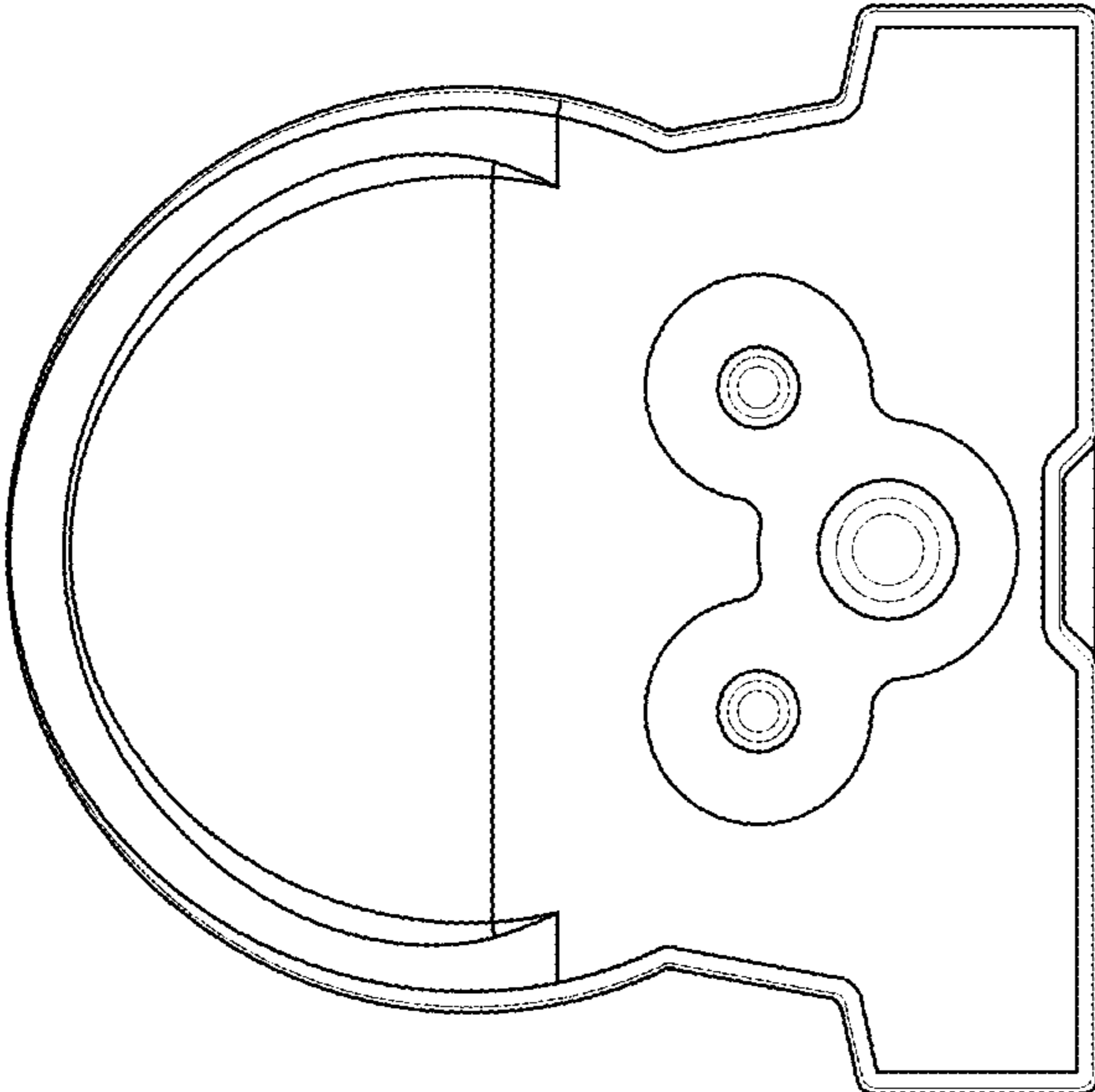


FIG.8