



US00D785815S

(12) **United States Design Patent**  
**Koo et al.**

(10) **Patent No.:** **US D785,815 S**  
(45) **Date of Patent:** **\*\* May 2, 2017**

(54) **SUPPORTING FRAME FOR SCREEN**  
(71) Applicant: **CJ CGV CO., LTD.**, Seoul (KR)  
(72) Inventors: **Bonil Koo**, Seoul (KR); **Byoung Jun Song**, Incheon (KR); **Hae Jeong Koh**, Seoul (KR); **Min Jung Kim**, Seoul (KR); **Young Mi Kim**, Seoul (KR); **Ok Sun Kim**, Seoul (KR); **No Chan Park**, Incheon (KR); **In Jae Seong**, Seoul (KR); **Young Wook Choi**, Seoul (KR)

(73) Assignee: **CJ CGV CO., LTD.**, Seoul (KR)  
(\*\*) Term: **15 Years**

(21) Appl. No.: **29/540,159**

(22) Filed: **Sep. 21, 2015**

(30) **Foreign Application Priority Data**

Jul. 1, 2015 (KR) ..... 30-2015-0033349

(51) **LOC (10) Cl.** ..... **25-02**

(52) **U.S. Cl.**  
USPC ..... **D25/61**

(58) **Field of Classification Search**  
USPC ..... D25/17, 18, 21, 56, 57, 58, 61, 66;  
52/693; 182/36, 82, 113, 131, 132,  
182/178.1, 186.9; 254/98  
CPC .... E04G 1/14; E04G 1/15; E04G 5/00; E04G  
5/061; E04G 5/12; E04G 5/147; E04G  
11/48

See application file for complete search history.

(56) **References Cited**

**U.S. PATENT DOCUMENTS**

3,486,579 A \* 12/1969 Blomgren ..... E04G 5/12  
182/132  
6,220,392 B1 \* 4/2001 Schwoerer ..... E04G 5/16  
182/186.7  
7,975,803 B2 \* 7/2011 Schwoerer ..... E04G 1/15  
182/113  
2010/0122872 A1 \* 5/2010 Korevaar ..... E04G 1/20  
182/113  
2010/0313516 A1 \* 12/2010 Kreller ..... E04G 11/48  
52/693

2012/0298449 A1\* 11/2012 Kreller ..... E04G 1/14  
182/113  
2013/0318889 A1\* 12/2013 Brown ..... E04G 3/24  
52/122.1  
2015/0060203 A1\* 3/2015 Fenerci ..... E04G 1/34  
182/131

\* cited by examiner

*Primary Examiner* — Rosemary K Tarcza  
*Assistant Examiner* — Leanne Was-Englehart  
(74) *Attorney, Agent, or Firm* — Hauptman Ham, LLP

(57) **CLAIM**

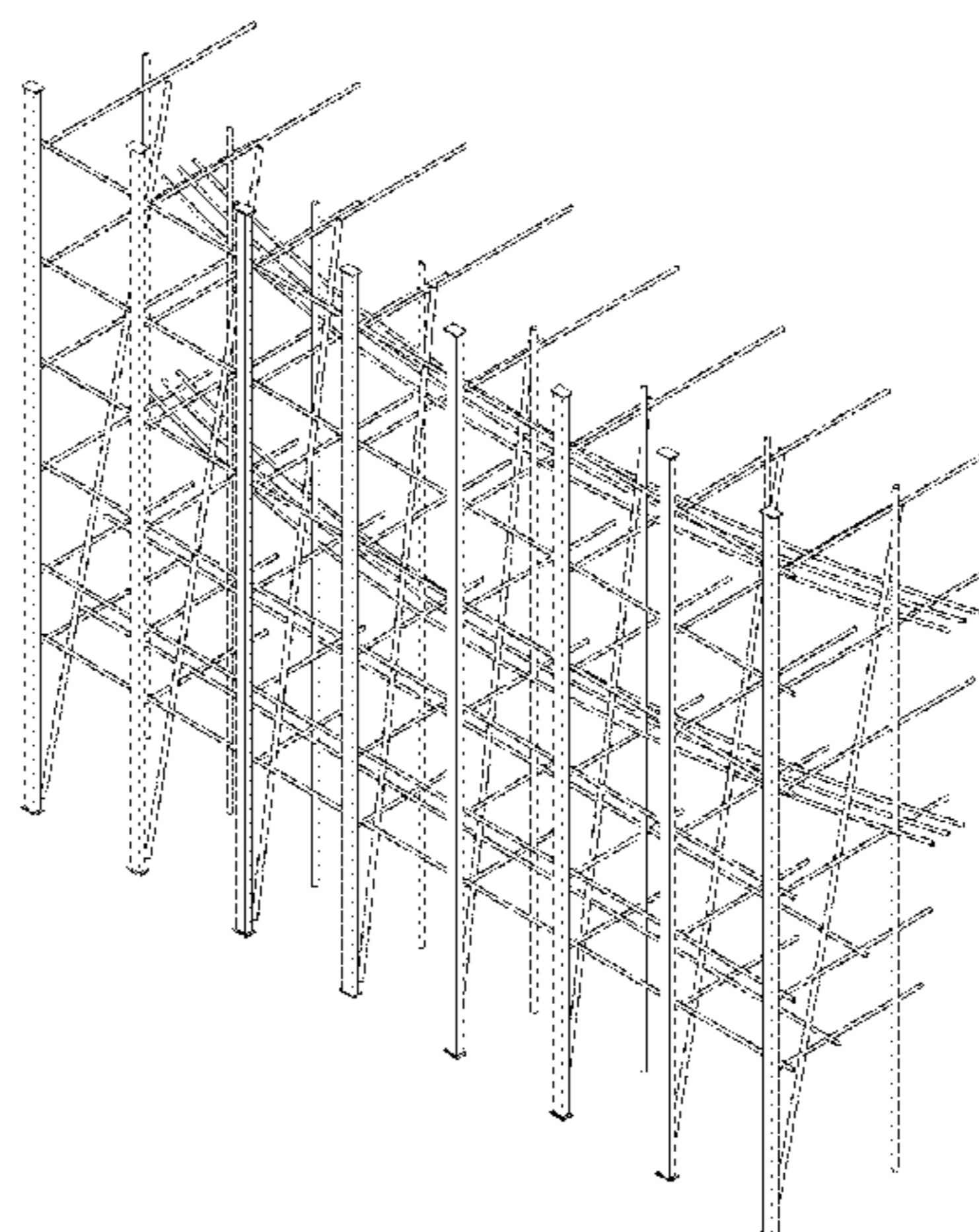
The ornamental design for supporting frame for a screen, as shown and described.

**DESCRIPTION**

FIG. 1 is a perspective view of supporting frame for screen according to a new design claimed in this application (“claimed design”);  
FIG. 2 is a front side view of the present design, in this instance;  
FIG. 3 is a rear side view of the present design;  
FIG. 4 is a left side view of the present design, in this instance, a right side view is omitted because it is a mirror image of the left side view;  
FIG. 5 is a top view of the present design;  
FIG. 6 is a bottom view of the present design; and,  
FIG. 7 shows a state where the present design is installed. The installed screen and additional framework, depicted by the broken line in FIG. 7, have been shown for the purpose of illustrating an element that form no part of the claimed design.

The claimed supporting frame for screen relates to a supporting frame for a screen which is equipped in a theater. The supporting frame for a screen includes: a plurality of horizontal rods with different protruding lengths which are connected to vertical rods to support the screen; and diagonal rods which are connected to the vertical rods and the

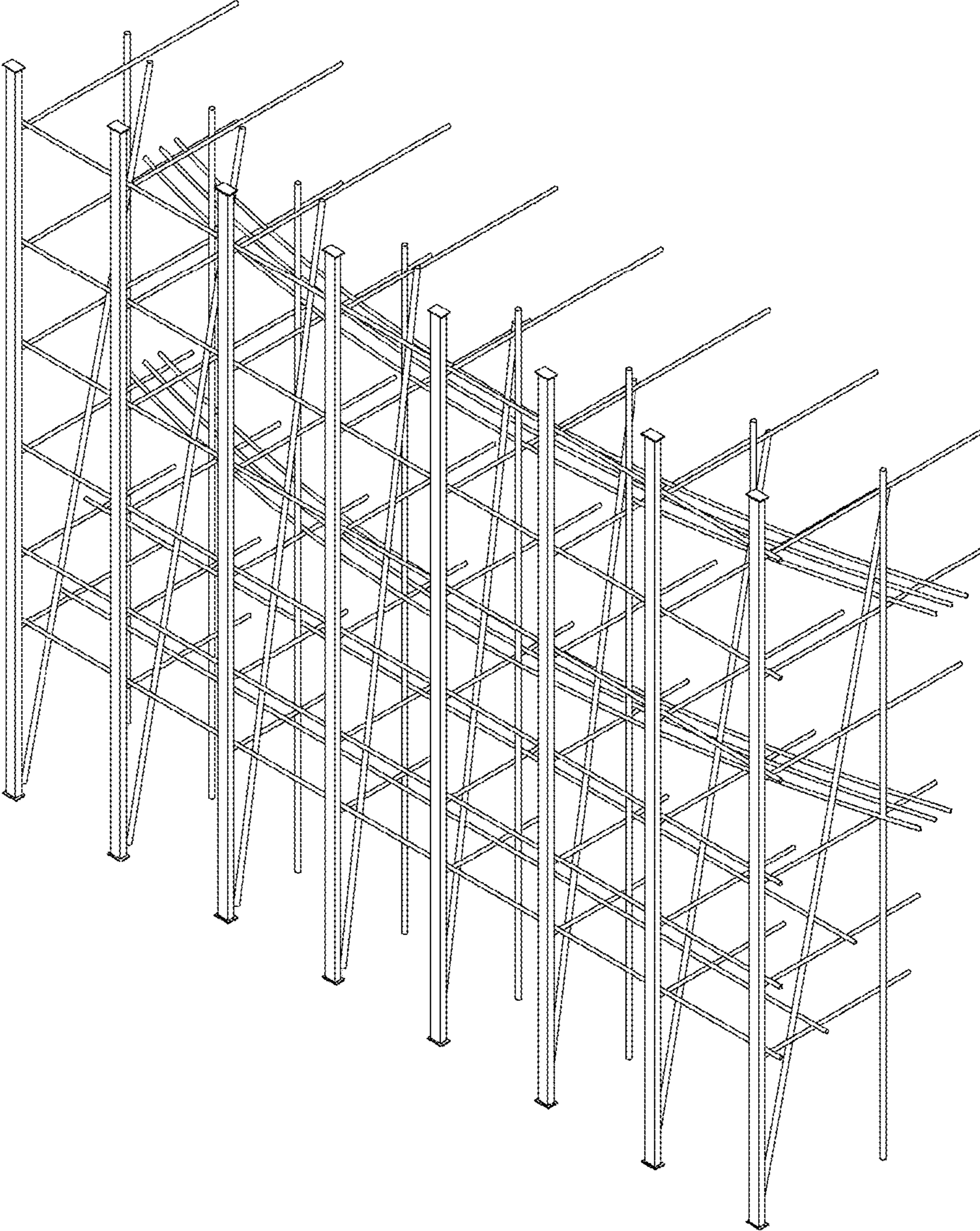
(Continued)



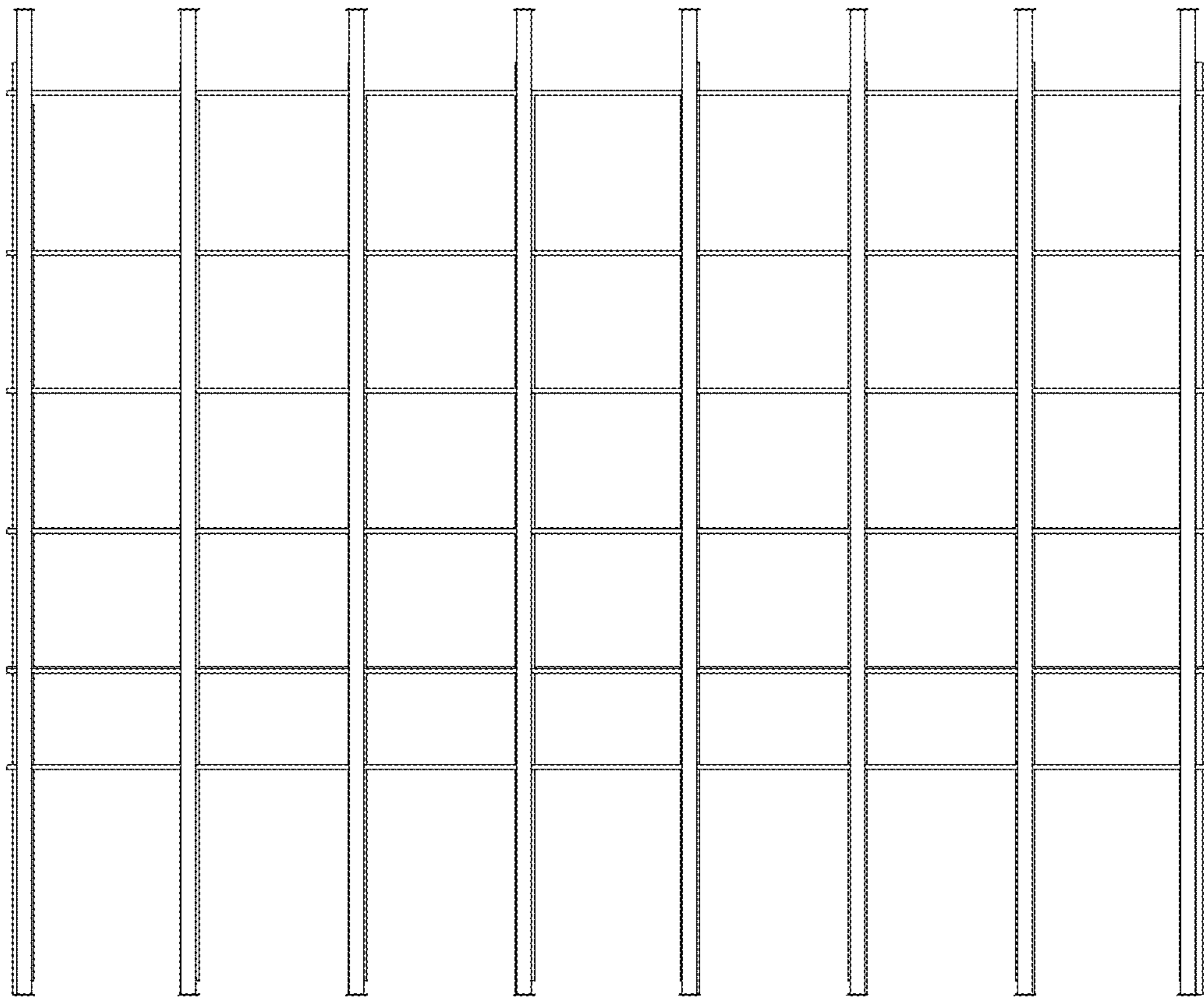
horizontal rods. The present design includes a plurality of curved rods disposed on upper parts of the horizontal rods to form a support plate.

**1 Claim, 7 Drawing Sheets**

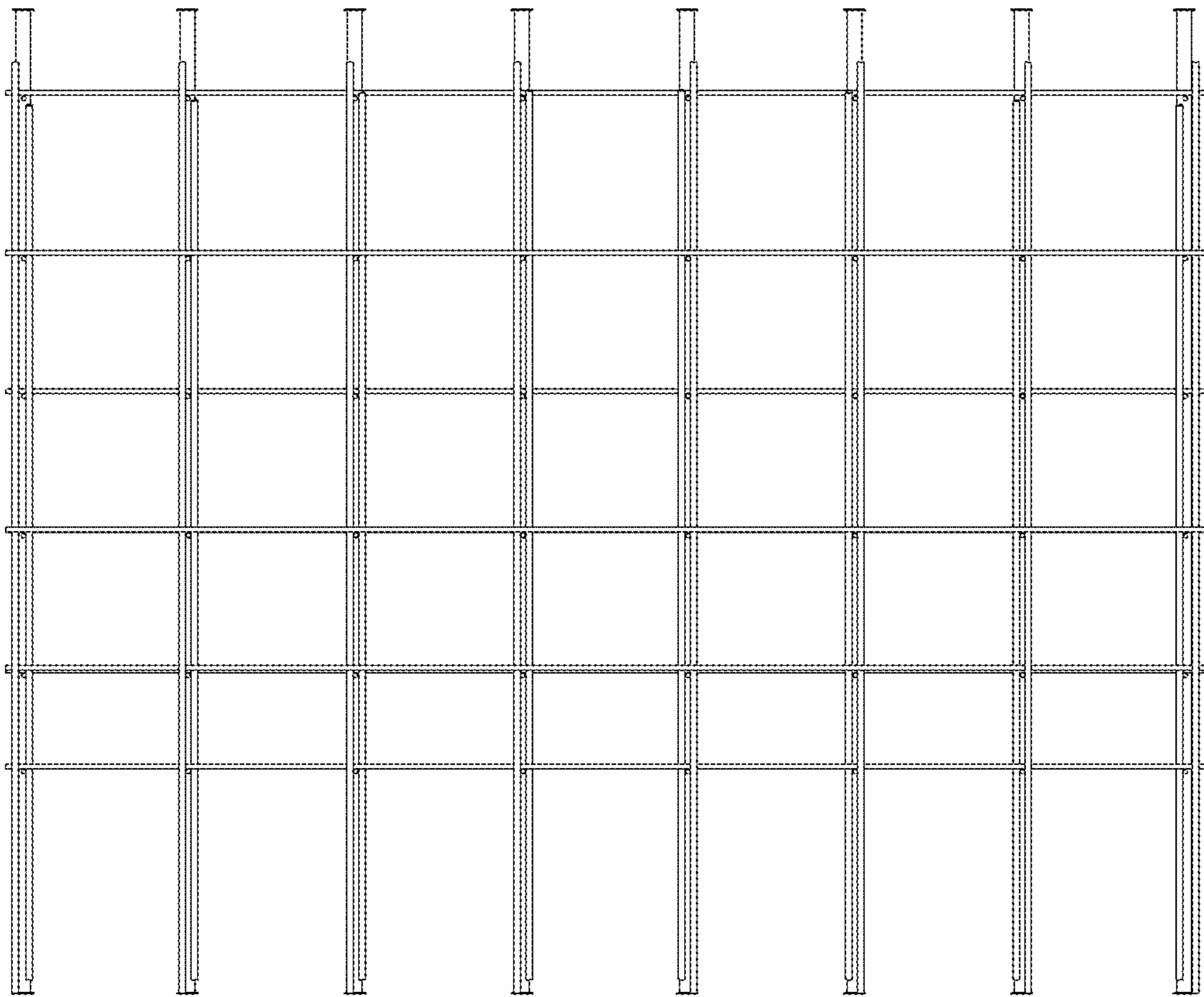
Fig 1



**Fig 2**



**Fig 3**



**Fig 4**

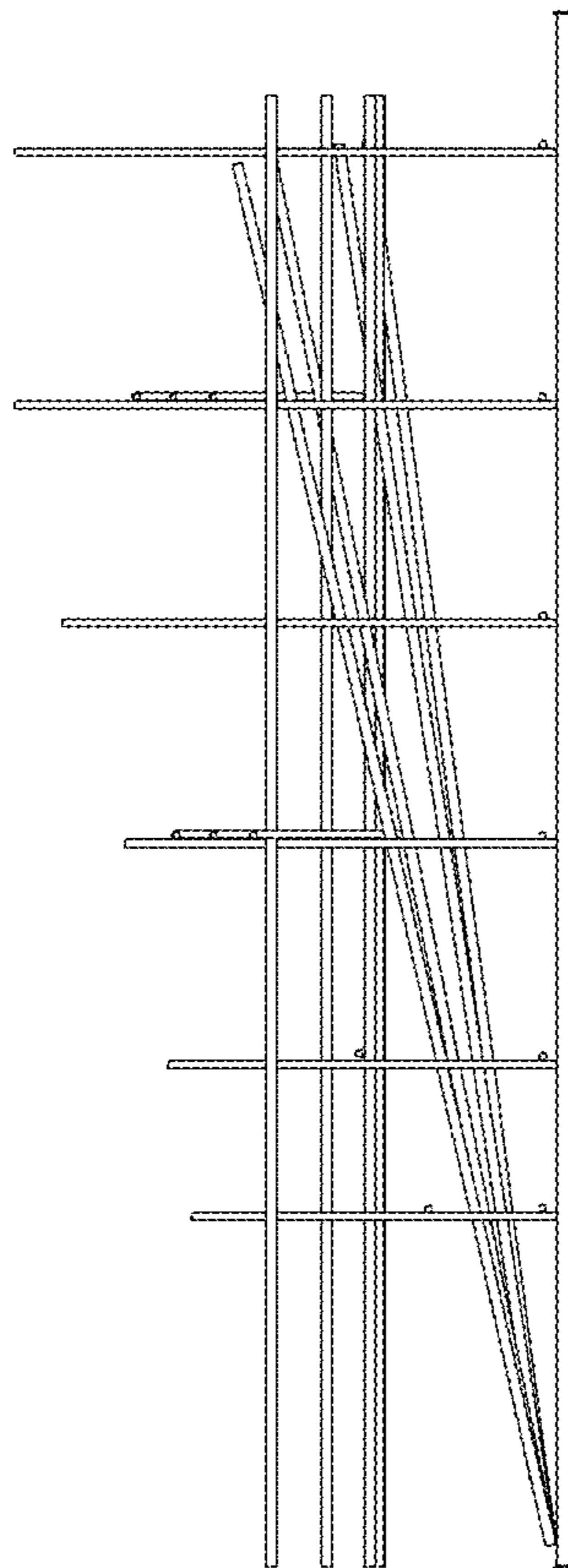
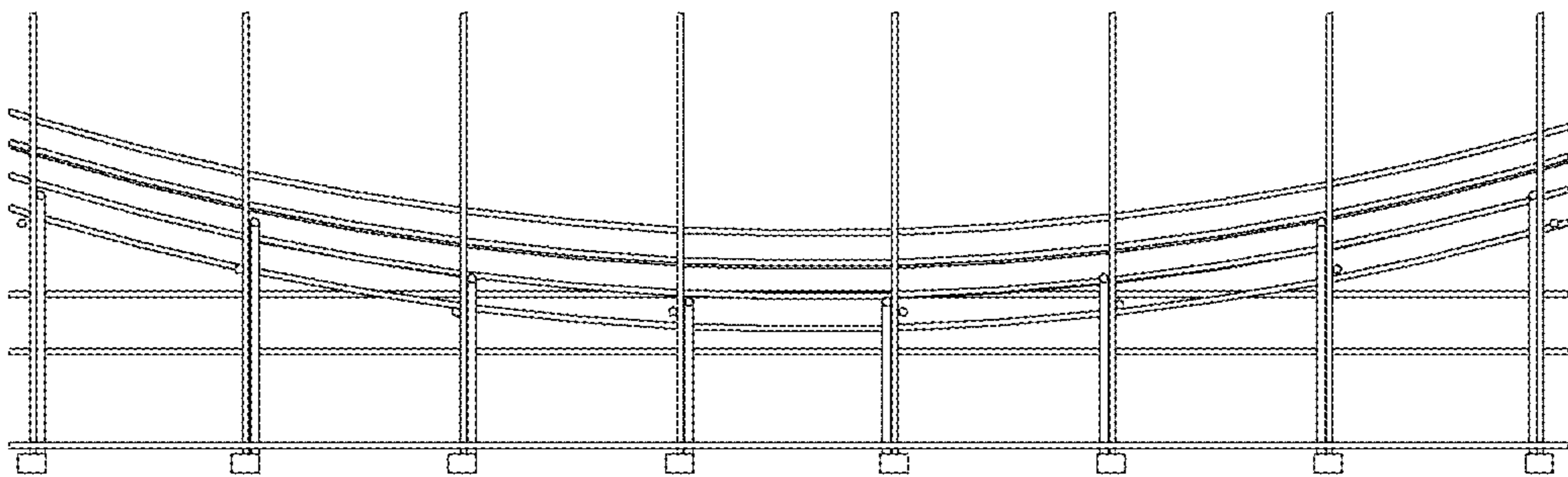


Fig 5



**Fig 6**

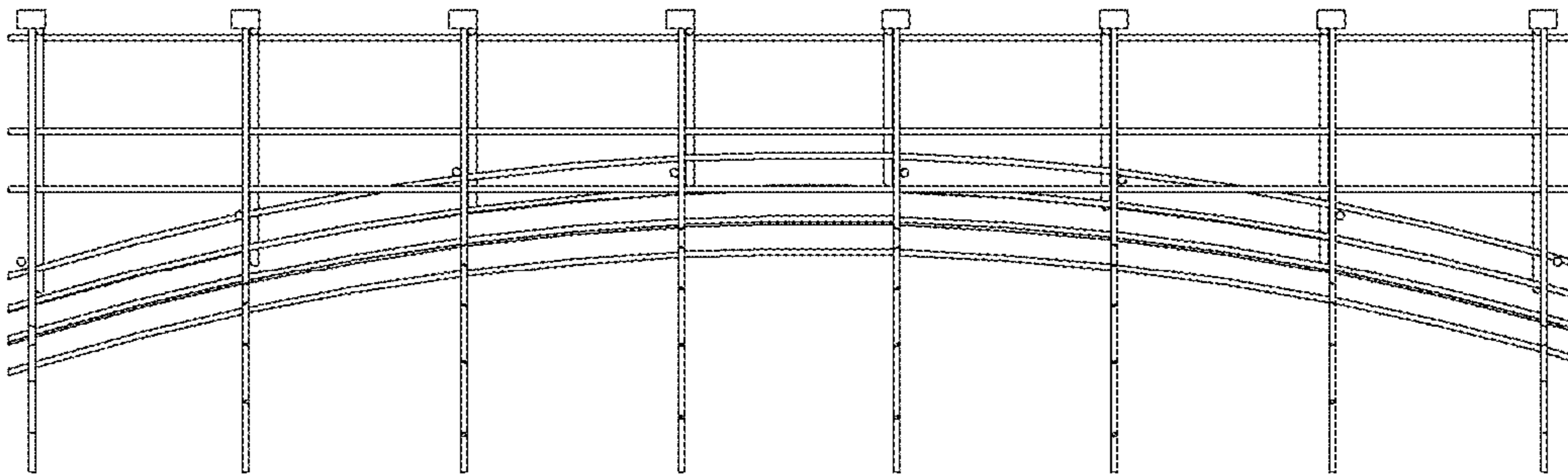




FIG. 7

