



US00D785812S

(12) **United States Design Patent**
Pattison

(10) **Patent No.:** **US D785,812 S**

(45) **Date of Patent:** **** May 2, 2017**

- (54) **CAPSULE HOLDER**
- (71) Applicant: **Conopco, Inc.**, Englewood Cliffs, NJ (US)
- (72) Inventor: **Gregory Michael Pattison**, Leicester (GB)
- (73) Assignee: **Conopco, Inc.**, Englewood Cliffs, NJ (US)
- (**) Term: **15 Years**
- (21) Appl. No.: **29/558,911**
- (22) Filed: **Mar. 23, 2016**
- (30) **Foreign Application Priority Data**
 Sep. 29, 2015 (EM) 002802496-0002
- (51) **LOC (10) Cl.** **24-02**
- (52) **U.S. Cl.**
 USPC **D24/228; D3/306**
- (58) **Field of Classification Search**
 USPC D24/107, 216, 227-230; D3/201, 304, D3/306; D7/601, 701, 704; 422/50, 422/500-564; 211/74, 70.1, 126.14, 211/133.5; 206/443
 CPC B01L 9/06; B01L 9/065; A61L 9/06; A61L 2/26
 See application file for complete search history.

- 4,830,200 A * 5/1989 Zambano A47L 15/505 211/133.5
- 4,865,821 A * 9/1989 Langdon A61L 2/26 206/370
- D331,675 S * 12/1992 David D24/228
- 5,186,339 A * 2/1993 Heissler B01L 9/06 206/443
- 5,840,261 A * 11/1998 Monch A61L 2/26 134/135
- 5,916,527 A * 6/1999 Haswell B01L 9/06 422/549
- D625,570 S * 10/2010 Melocchi A47J 47/16 D7/704

* cited by examiner

Primary Examiner — Susan Bennett Hattan
Assistant Examiner — Rebecca Tsehaye
(74) *Attorney, Agent, or Firm* — Ellen Plotkin

(57) **CLAIM**

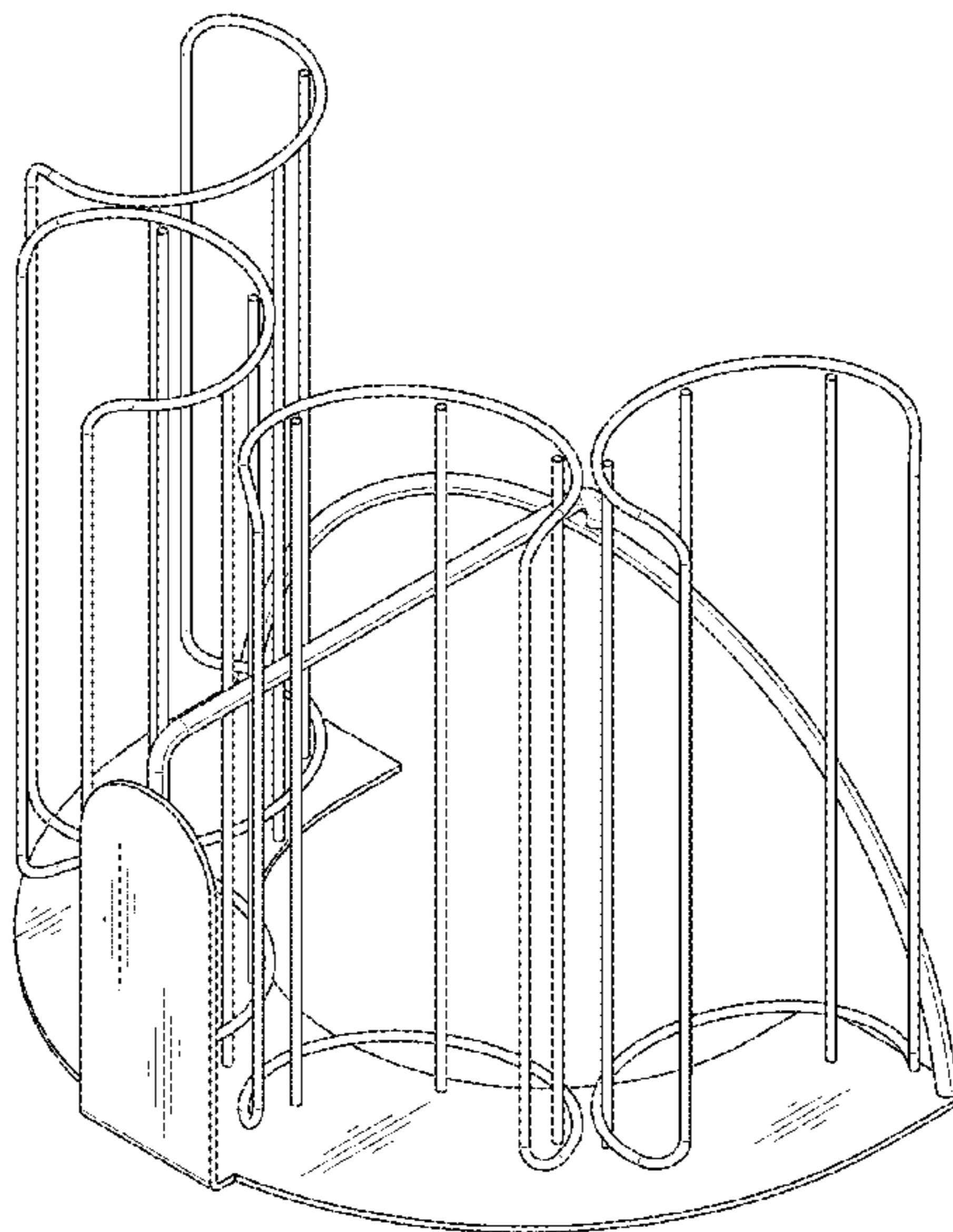
An ornamental design for the capsule holder, as shown and described.

DESCRIPTION

FIG. 1 is a perspective view of the capsule holder in accordance with our new design,
FIG. 2 is a rear view of the capsule holder in accordance with our new design,
FIG. 3 is a front view of the capsule holder in accordance with our new design,
FIG. 4 is a left side view of the capsule holder in accordance with our new design,
FIG. 5 is a right side view of the capsule holder in accordance with our new design,
FIG. 6 is a top plan view of the capsule holder in accordance with our new design; and,
FIG. 7 is a bottom plan view of the capsule holder in accordance with our new design.

1 Claim, 6 Drawing Sheets

- (56) **References Cited**
 U.S. PATENT DOCUMENTS
 2,956,686 A * 10/1960 Garey B01L 9/06 211/74
 D283,163 S * 3/1986 Pandya D19/75
 4,621,739 A * 11/1986 Heymann A47L 19/04 211/126.14



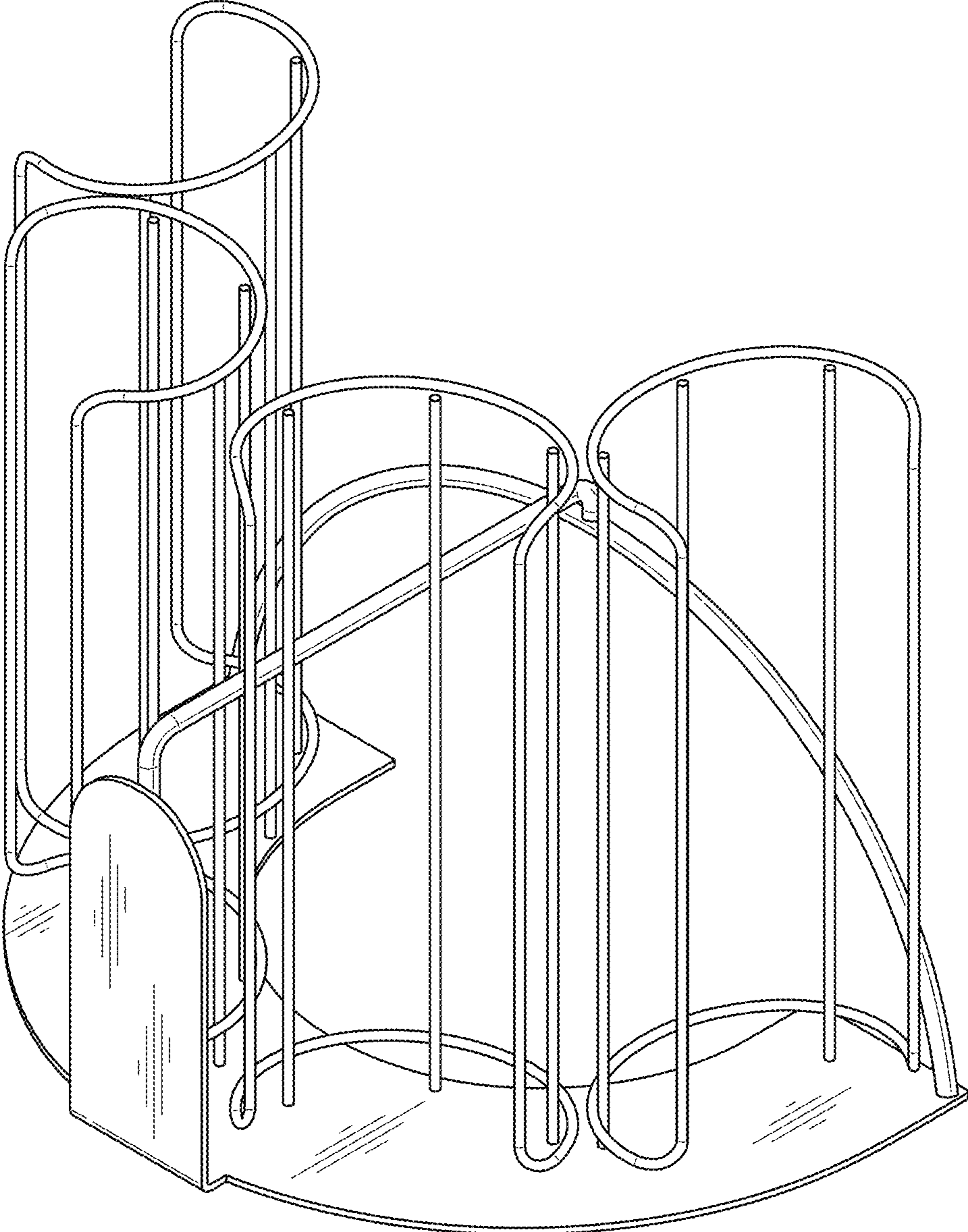


Fig. 1

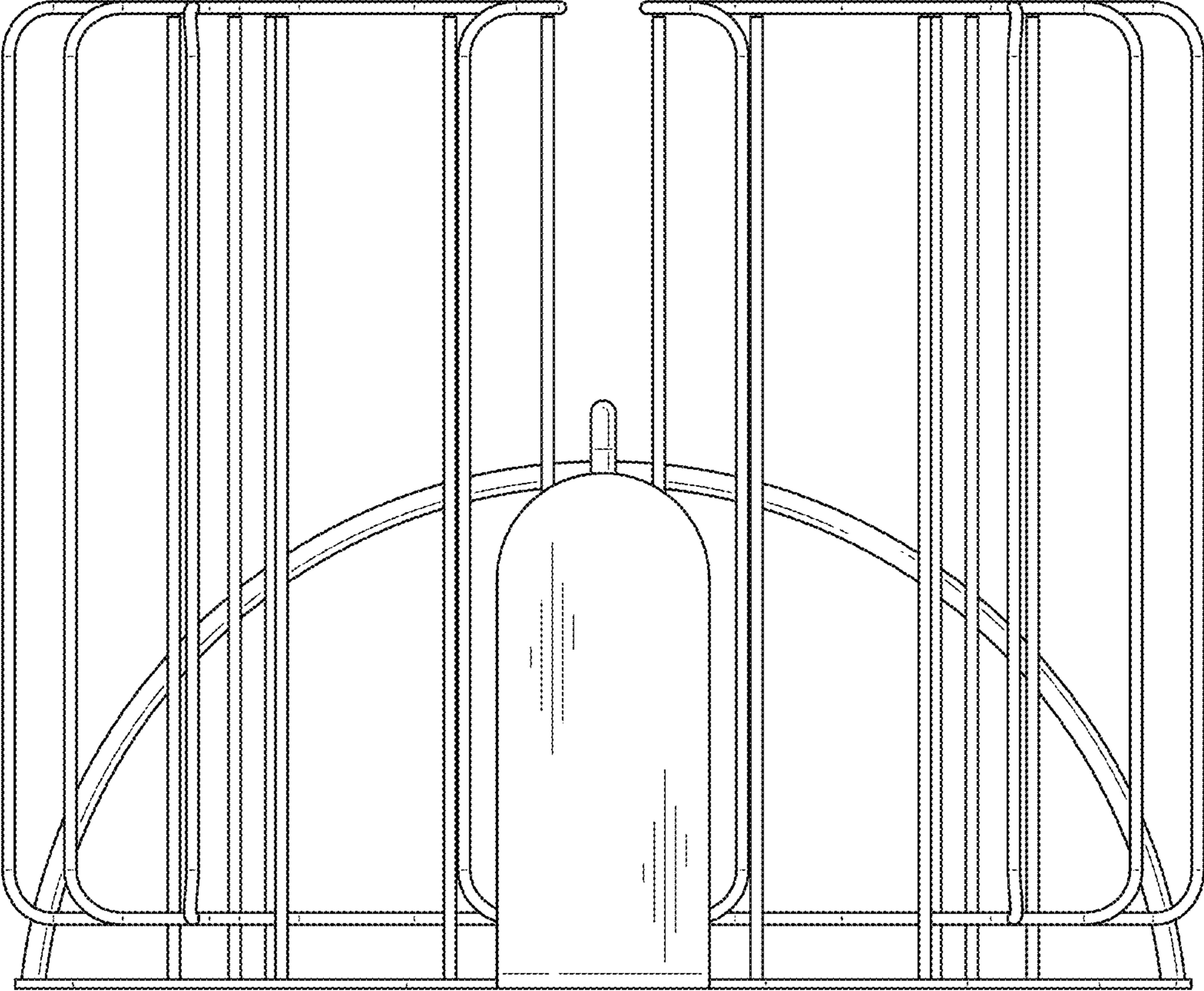


Fig. 2

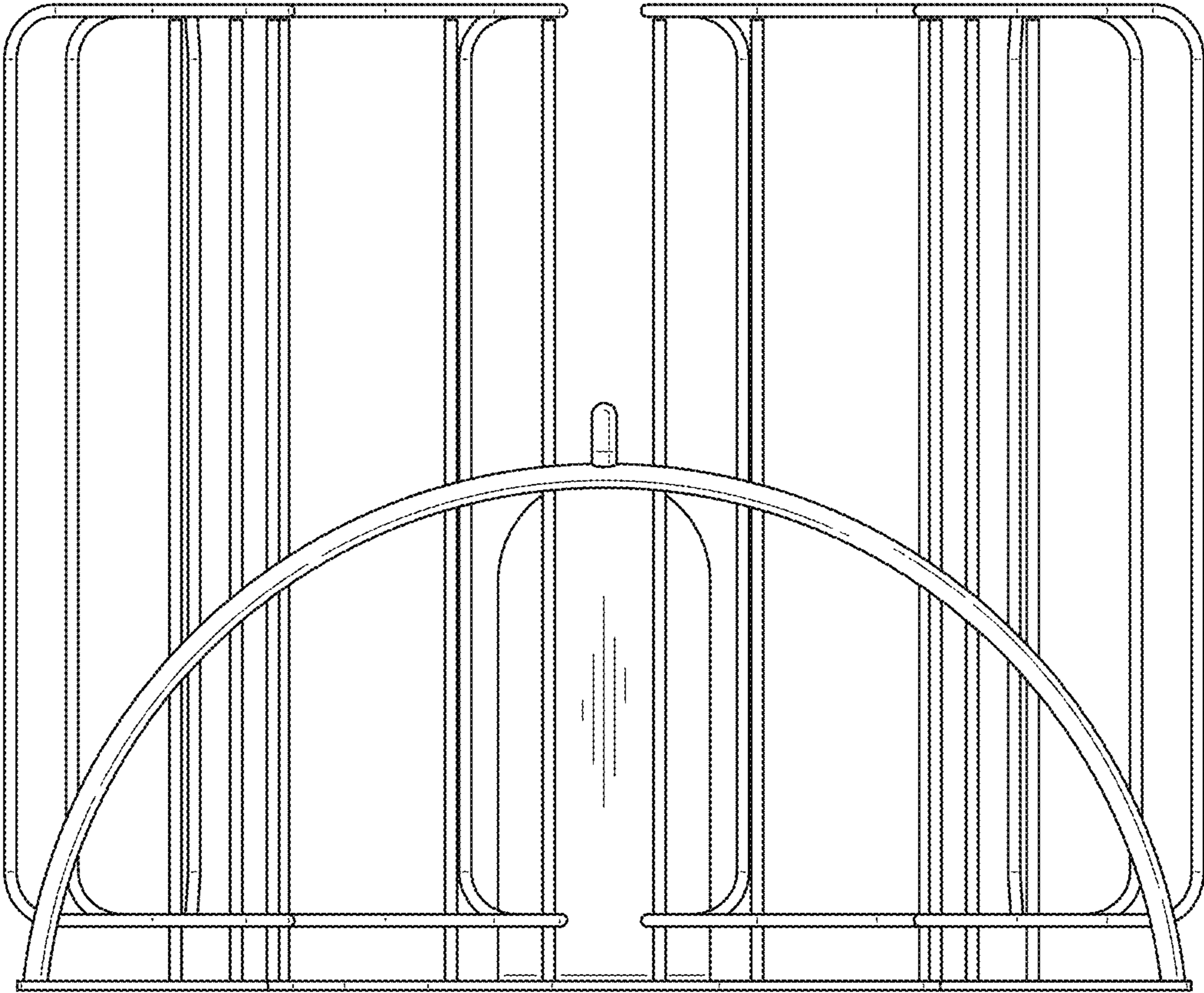


Fig. 3

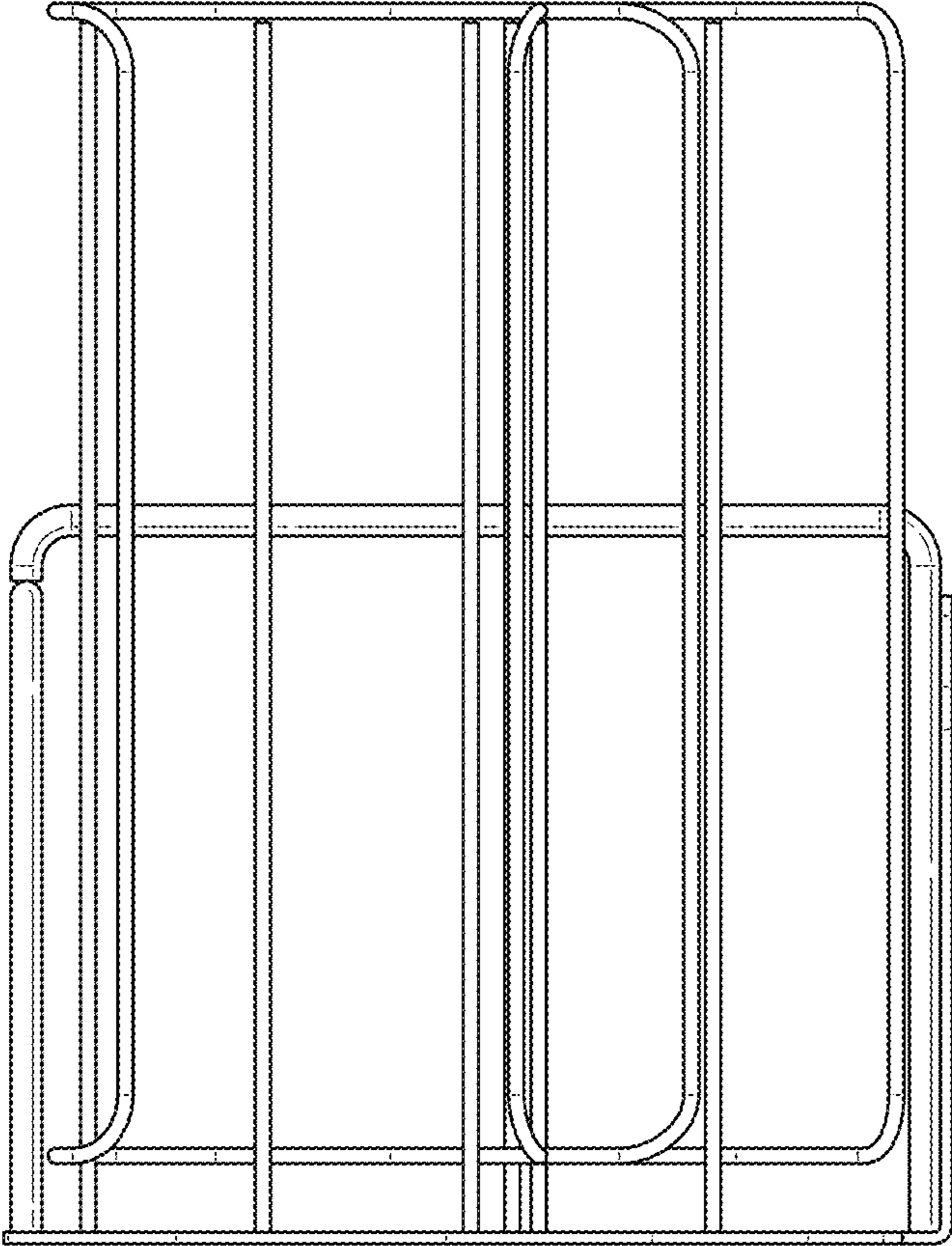


Fig. 4

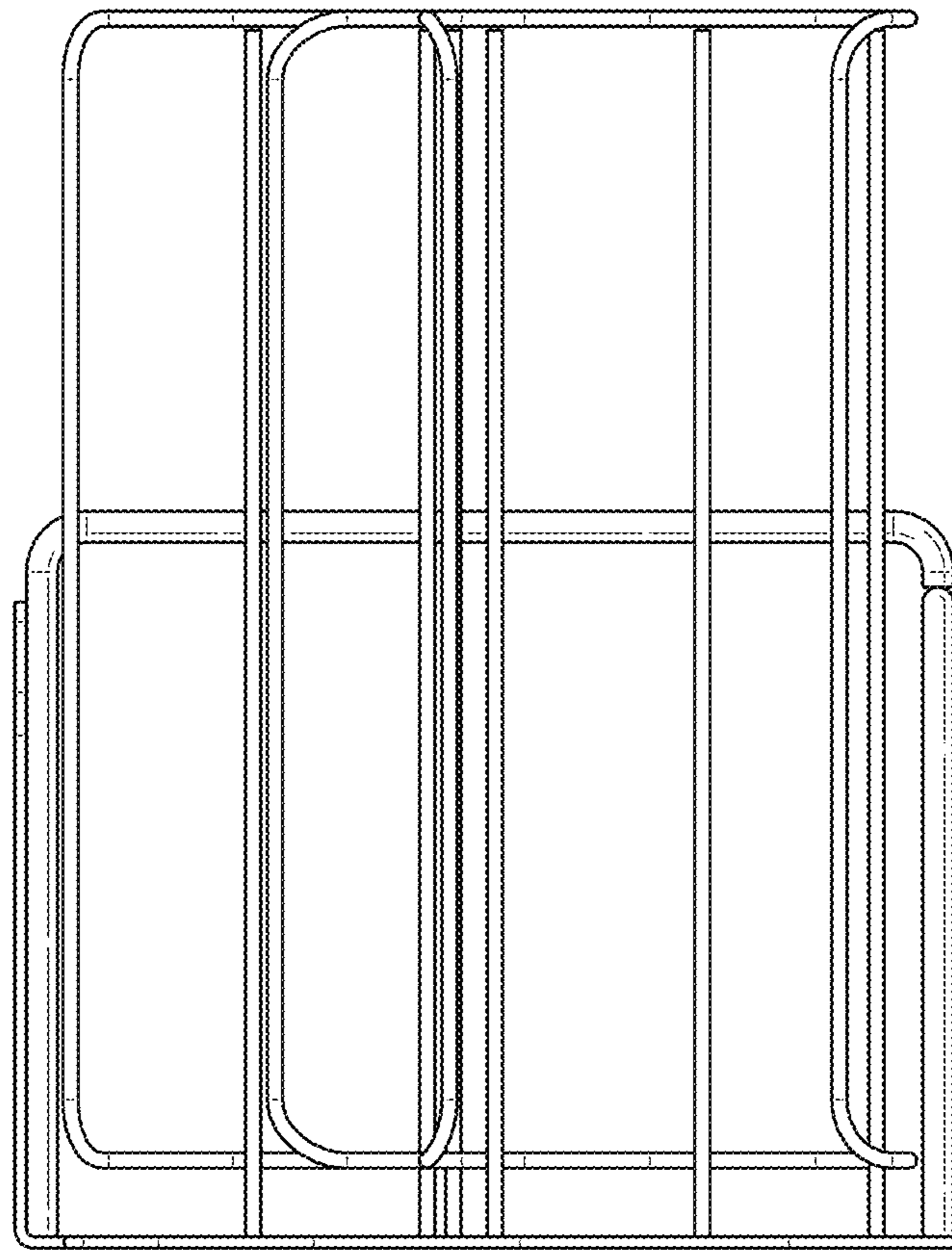


Fig. 5

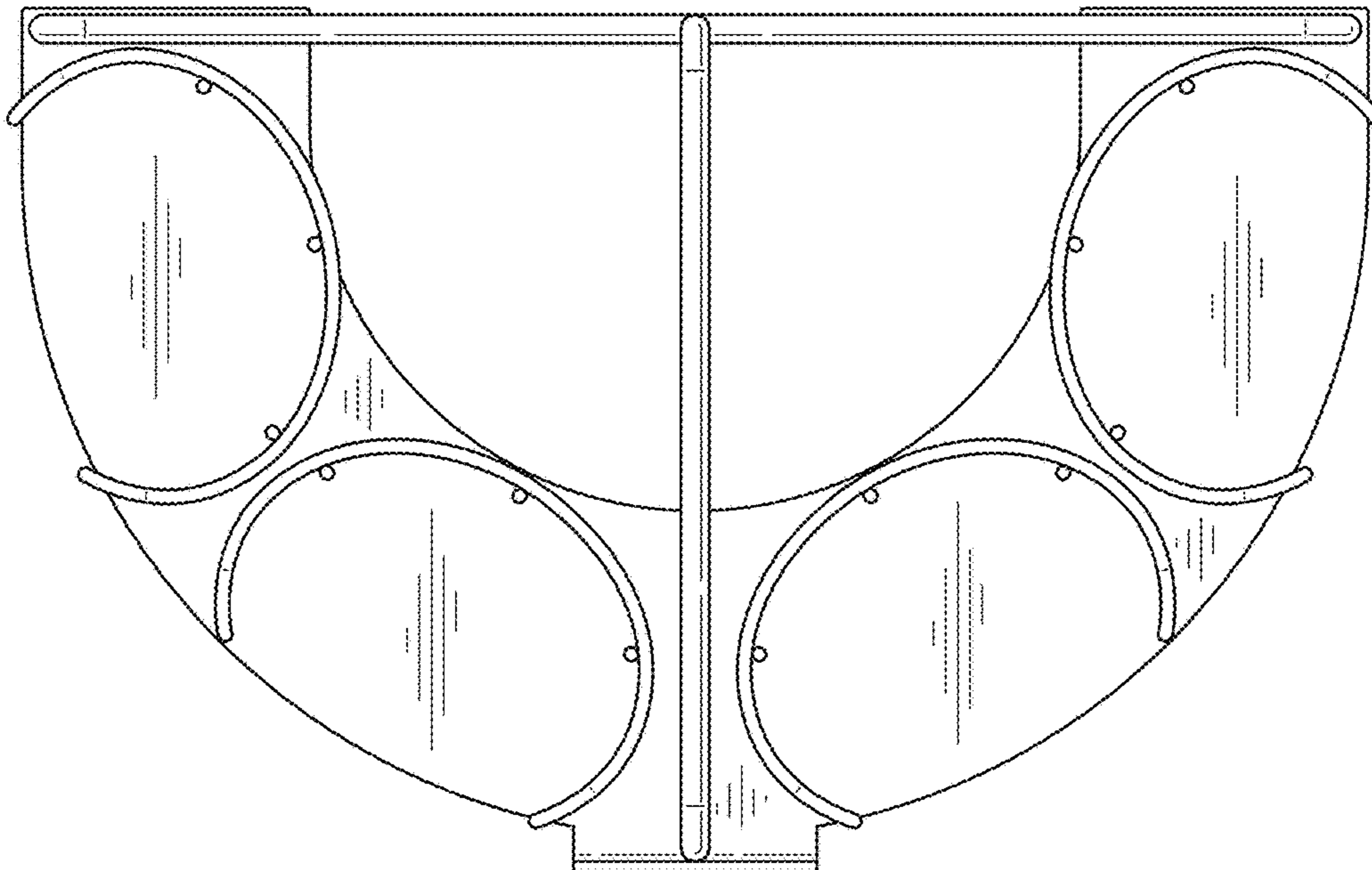


Fig. 6

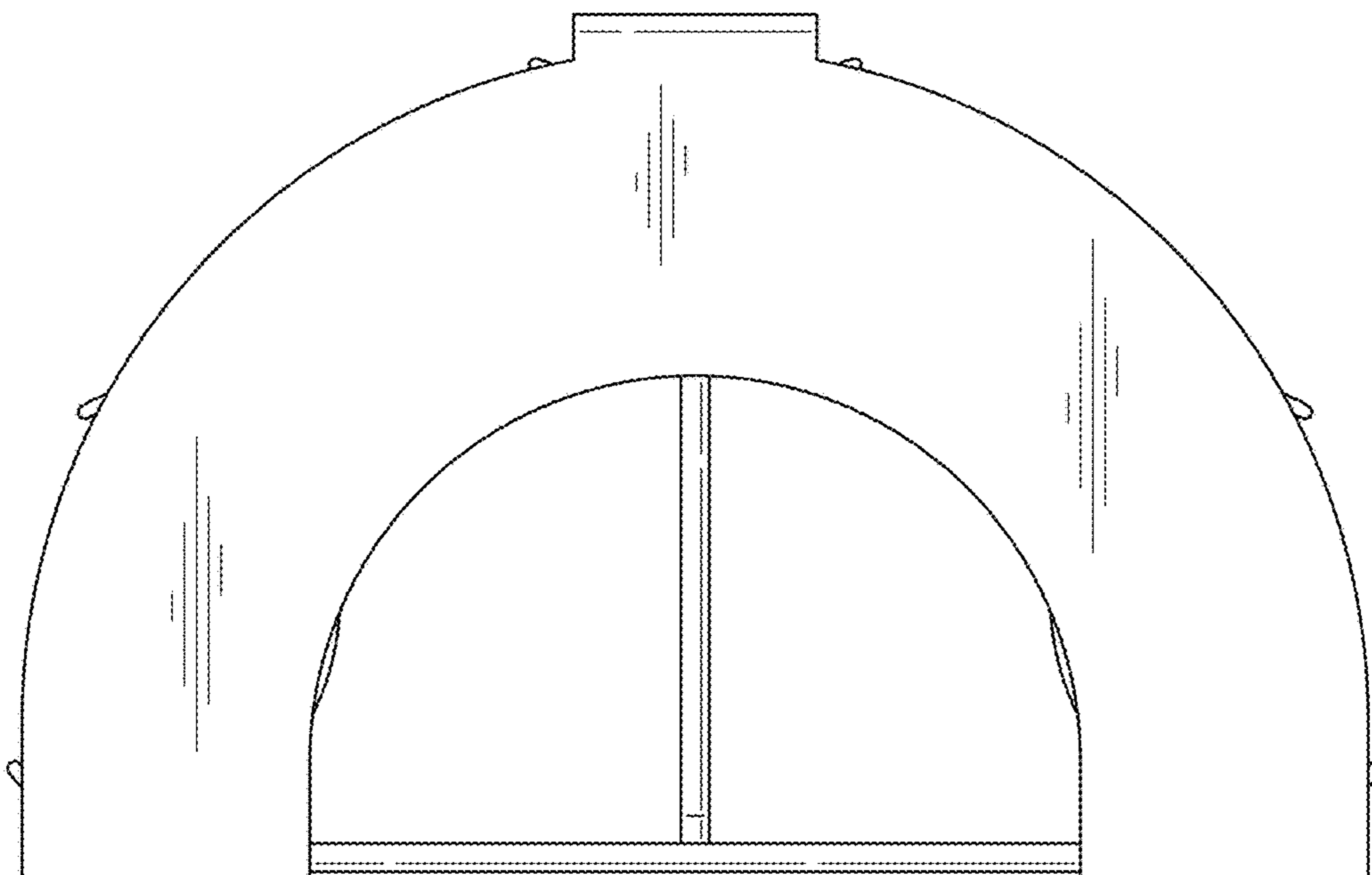


Fig. 7