



US00D785811S

(12) **United States Design Patent** (10) **Patent No.:** **US D785,811 S**
Watts et al. (45) **Date of Patent:** **** May 2, 2017**

- (54) **SAMPLE PREPARATION CARTRIDGE**
- (71) Applicant: **Illumina, Inc.**, San Diego, CA (US)
- (72) Inventors: **Gary Watts**, San Diego, CA (US);
Scott Janis, El Cerrito, CA (US); **Lea Sandra Kobeli**, San Francisco, CA (US); **Colton Jack Sanford**, San Francisco, CA (US)
- (73) Assignee: **Illumina, Inc.**, San Diego, CA (US)
- (**) Term: **15 Years**
- (21) Appl. No.: **29/554,547**
- (22) Filed: **Feb. 12, 2016**
- (51) **LOC (10) Cl.** **24-02**
- (52) **U.S. Cl.**
USPC **D24/224**
- (58) **Field of Classification Search**
USPC D24/224, 229, 230, 226, 107, 216, 232;
422/569, 551-554, 560-562, 400;
435/283.1, 288.4, 305.2, 303.1; 604/403,
604/409
CPC A61B 10/00; A61B 17/32; B01L 11/00;
B01L 3/00; B01L 9/06; B01L 9/065
See application file for complete search history.

(56) **References Cited**

U.S. PATENT DOCUMENTS

D299,859	S *	2/1989	Fan	D24/225
5,427,742	A *	6/1995	Holland	G01N 1/36 422/536
D369,213	S *	4/1996	Wong	D24/127
D380,052	S *	6/1997	Musgrave	D24/216
5,827,305	A *	10/1998	Gordon	A61B 10/0266 606/159
6,395,234	B1 *	5/2002	Hunnell	G01N 1/36 220/831
D497,209	S *	10/2004	Ukon	D24/216
7,776,274	B2 *	8/2010	Williamson, IV	B01L 3/508 422/400

D699,369	S *	2/2014	Fonseca	D24/224
D722,385	S *	2/2015	Fonseca	D24/224
2005/0147538	A1 *	7/2005	Williamson	B01L 3/508 422/400
2007/0116612	A1 *	5/2007	Williamson	A61B 10/0096 422/400

* cited by examiner

Primary Examiner — Susan Bennett Hattan

Assistant Examiner — Rebecca Tsehaye

(74) *Attorney, Agent, or Firm* — Knobbe Martens Olson & Bear LLP

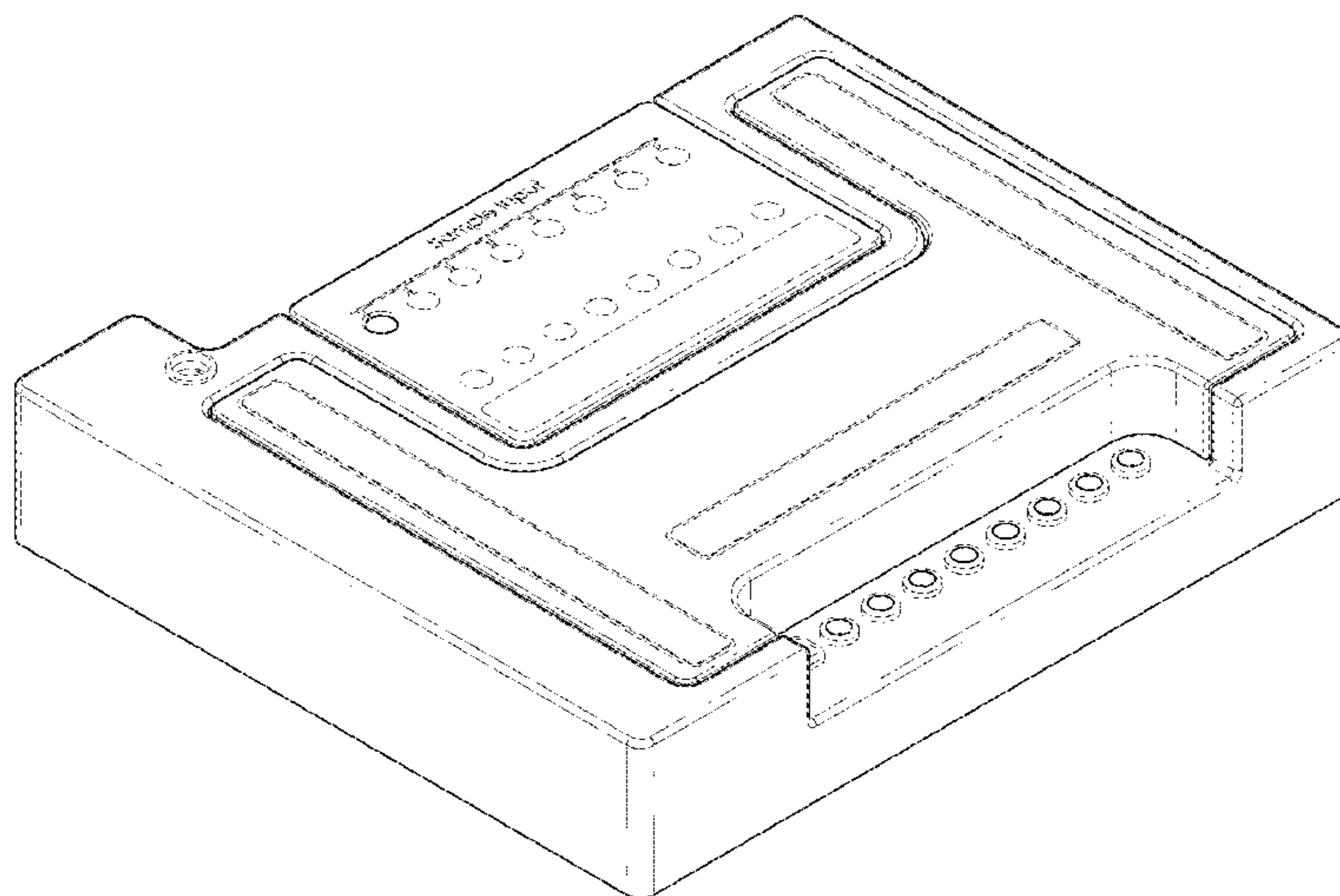
(57) **CLAIM**

The ornamental design for a sample preparation cartridge, as shown and described.

DESCRIPTION

FIG. 1 is a front side perspective view of a sample preparation cartridge in accordance with the present invention. FIG. 2 is a rear perspective view of the sample preparation cartridge of FIG. 1. FIG. 3 is a bottom perspective view of the sample preparation cartridge of FIG. 1. FIG. 4 is a front view of the sample preparation cartridge of FIG. 1. FIG. 5 is a rear view of the sample preparation cartridge of FIG. 1. FIG. 6 is a left side view of sample preparation cartridge of FIG. 1. FIG. 7 is a right side view of the sample preparation cartridge of FIG. 1. FIG. 8 is a top view of the sample preparation cartridge of FIG. 1; and, FIG. 9 is a bottom view of the sample preparation cartridge of FIG. 1. The broken lines in the drawings depict portions of the sample preparation cartridge that form no part of the claimed design.

1 Claim, 7 Drawing Sheets



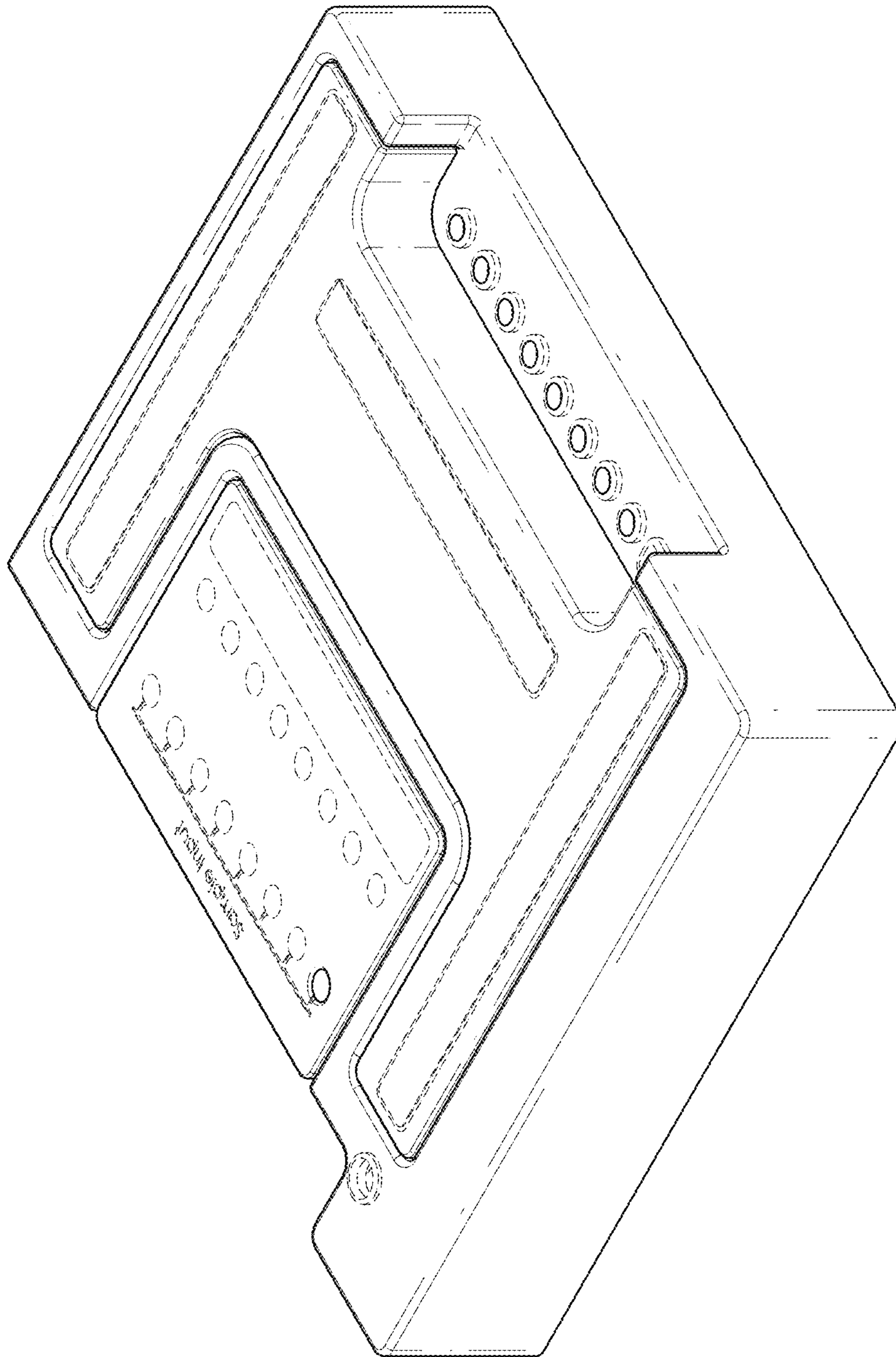


FIG. 1

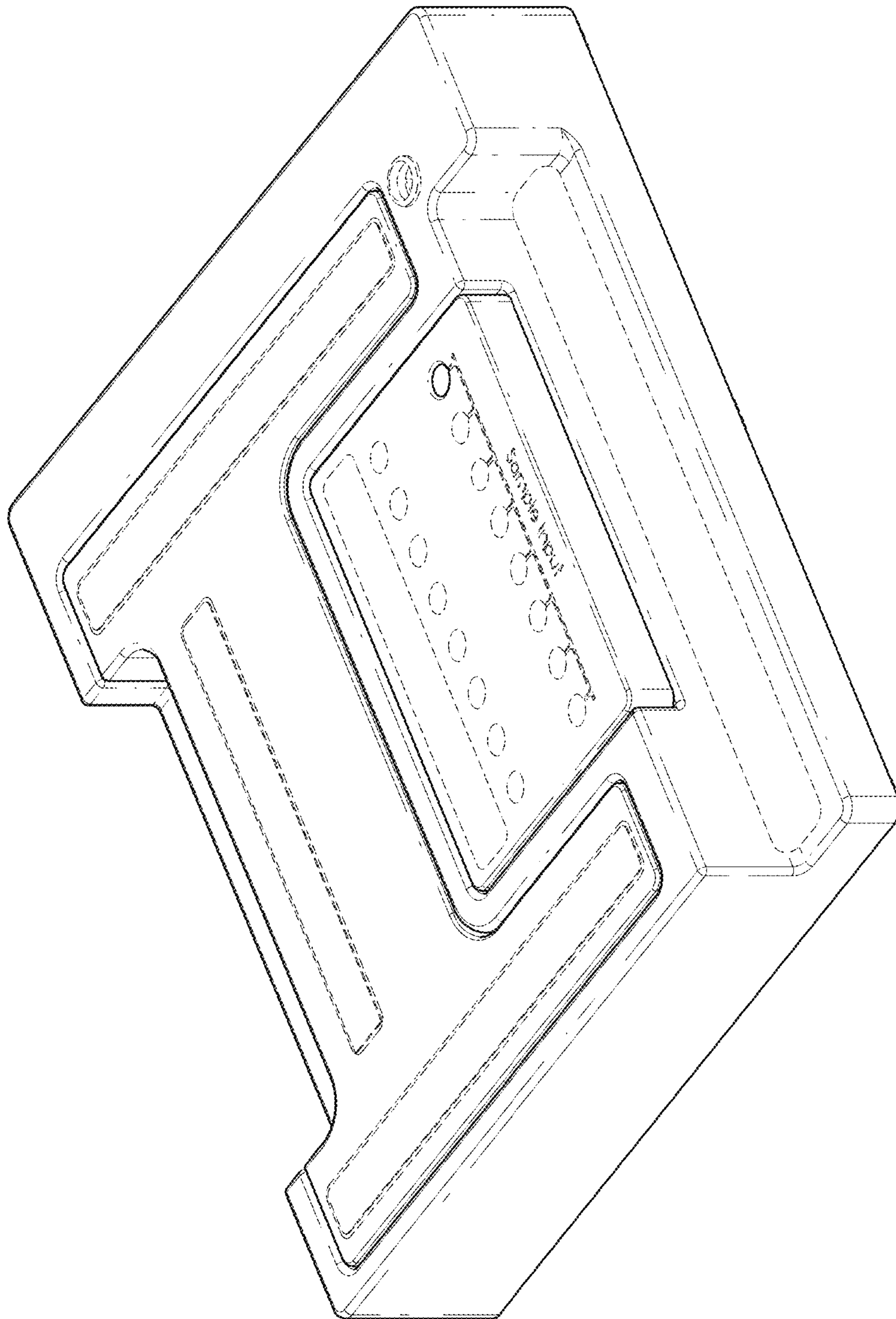


FIG. 2

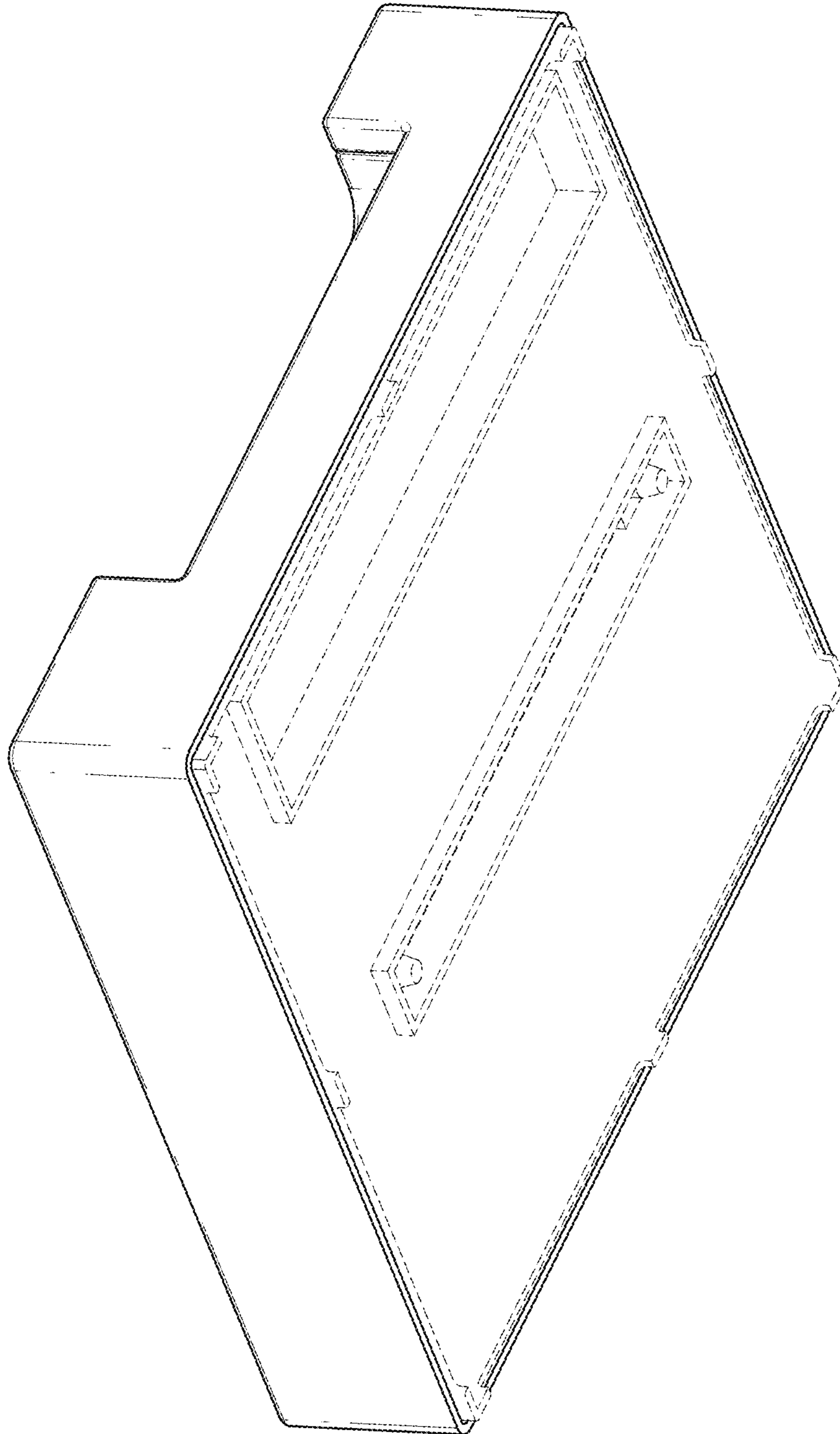


FIG. 3

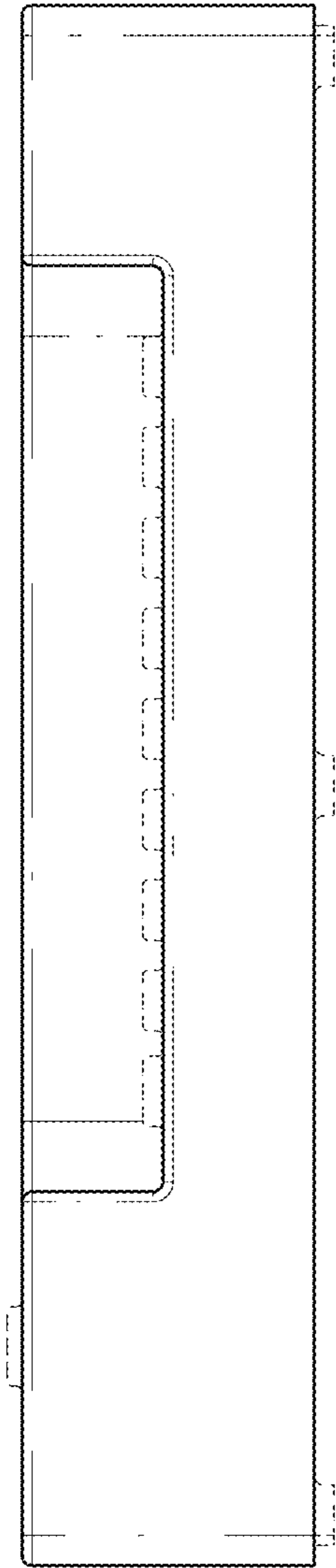


FIG. 4

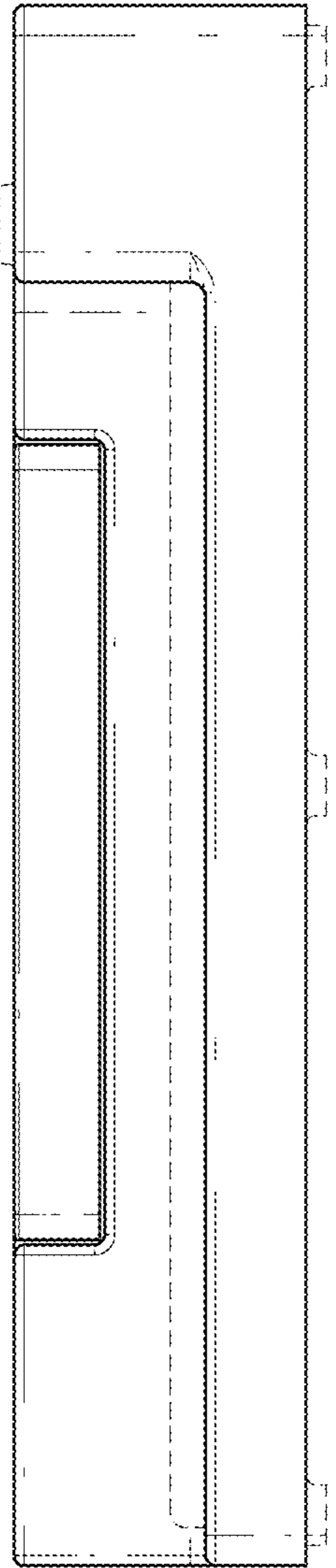


FIG. 5

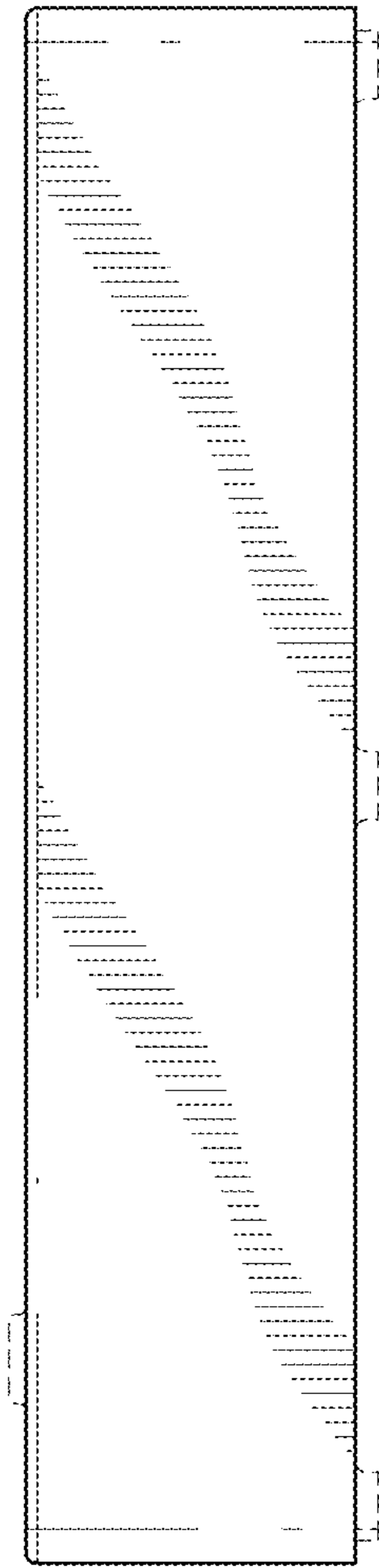


FIG. 6

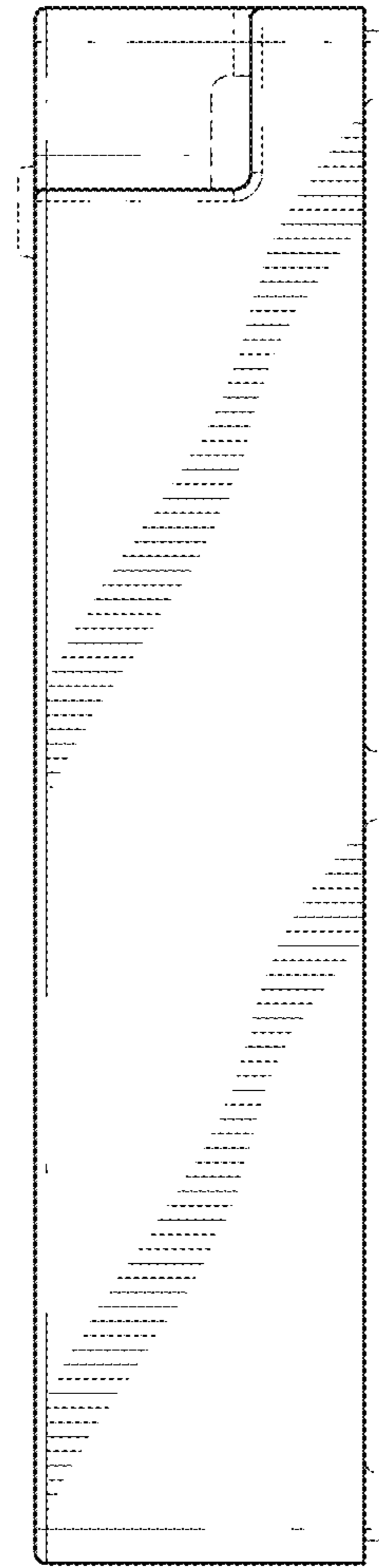


FIG. 7

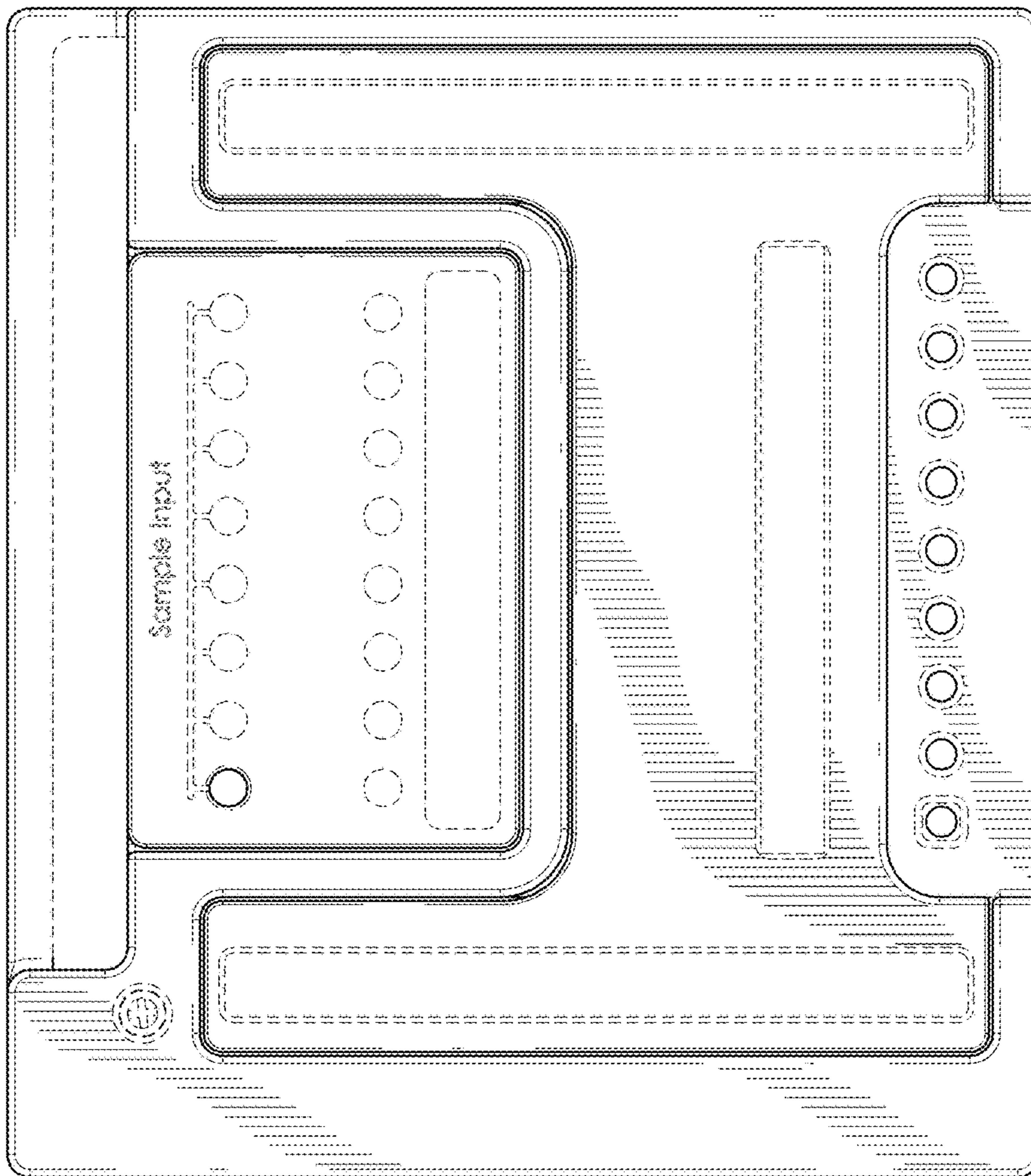


FIG. 8

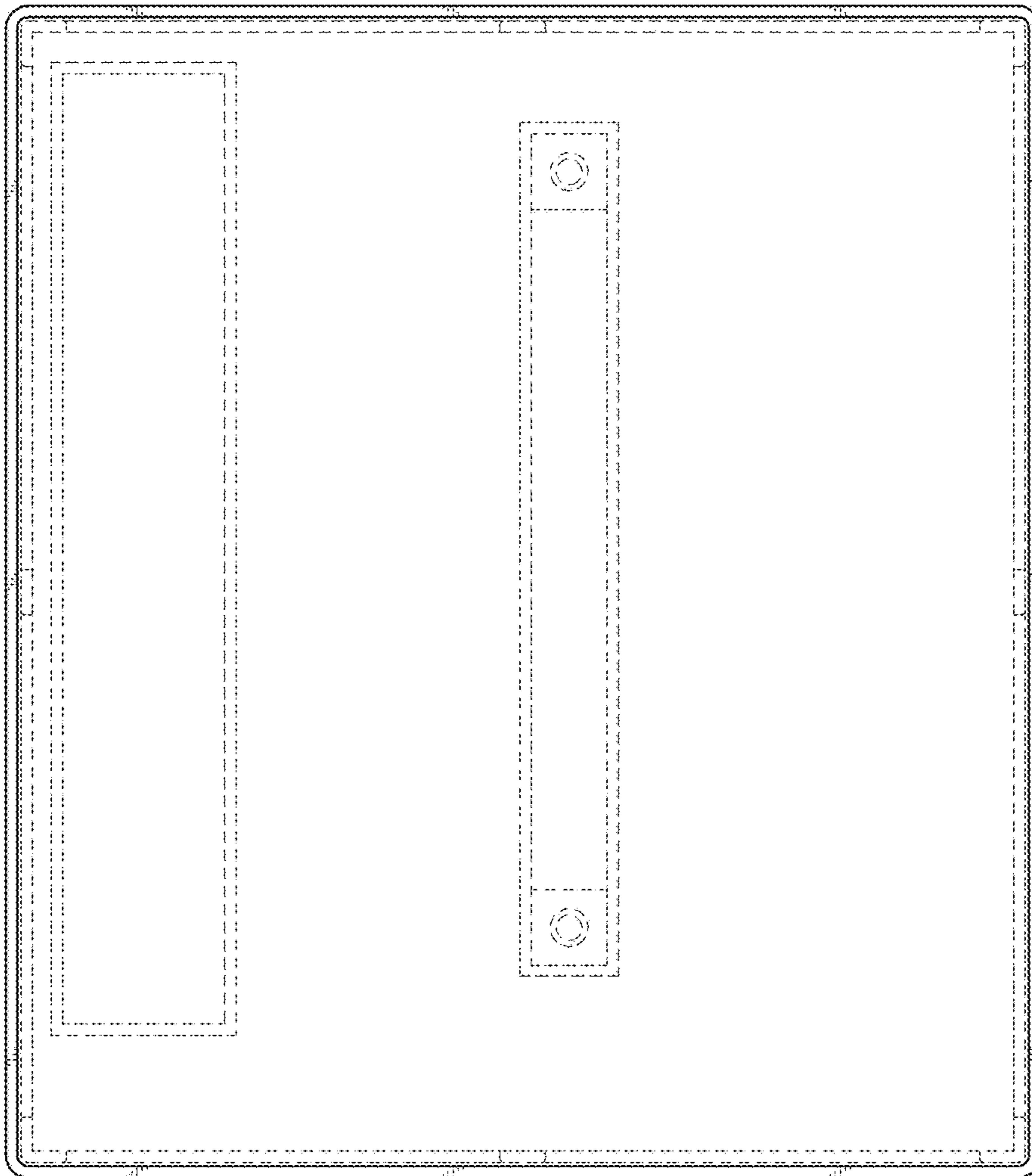


FIG. 9