



US00D785810S

(12) **United States Design Patent**
Wang et al.

(10) **Patent No.:** **US D785,810 S**

(45) **Date of Patent:** **** May 2, 2017**

(54) **TWO COMPONENT MIXING TIP**

(56) **References Cited**

(71) Applicants: **Daniel Wang**, Rowland Heights, CA (US); **Bo Tao**, Chino, CA (US); **Xiao Yang**, Walnut, CA (US)

(72) Inventors: **Daniel Wang**, Rowland Heights, CA (US); **Bo Tao**, Chino, CA (US); **Xiao Yang**, Walnut, CA (US)

(73) Assignee: **PAC-DENT INTERNATIONAL, INC.**, Brea, CA (US)

(**) Term: **15 Years**

(21) Appl. No.: **29/544,452**

(22) Filed: **Nov. 3, 2015**

(51) **LOC (10) Cl.** **24-00**

(52) **U.S. Cl.**
USPC **D24/220**

(58) **Field of Classification Search**
USPC D24/220, 231; D15/138; D9/447
CPC A61C 9/0026
See application file for complete search history.

U.S. PATENT DOCUMENTS

D571,479 S *	6/2008	Wagner	D24/220
D693,940 S *	11/2013	Walter	D24/220
D696,787 S *	12/2013	Walter	D24/220
D735,350 S *	7/2015	Eckstein	D24/220
D739,550 S *	9/2015	Eckstein	D24/220
D746,883 S *	1/2016	Strommer	D15/138
D754,539 S *	4/2016	Eckstein	D9/447
9,301,819 B2 *	4/2016	Jung	A61C 9/0026

* cited by examiner

Primary Examiner — Rhea Shields

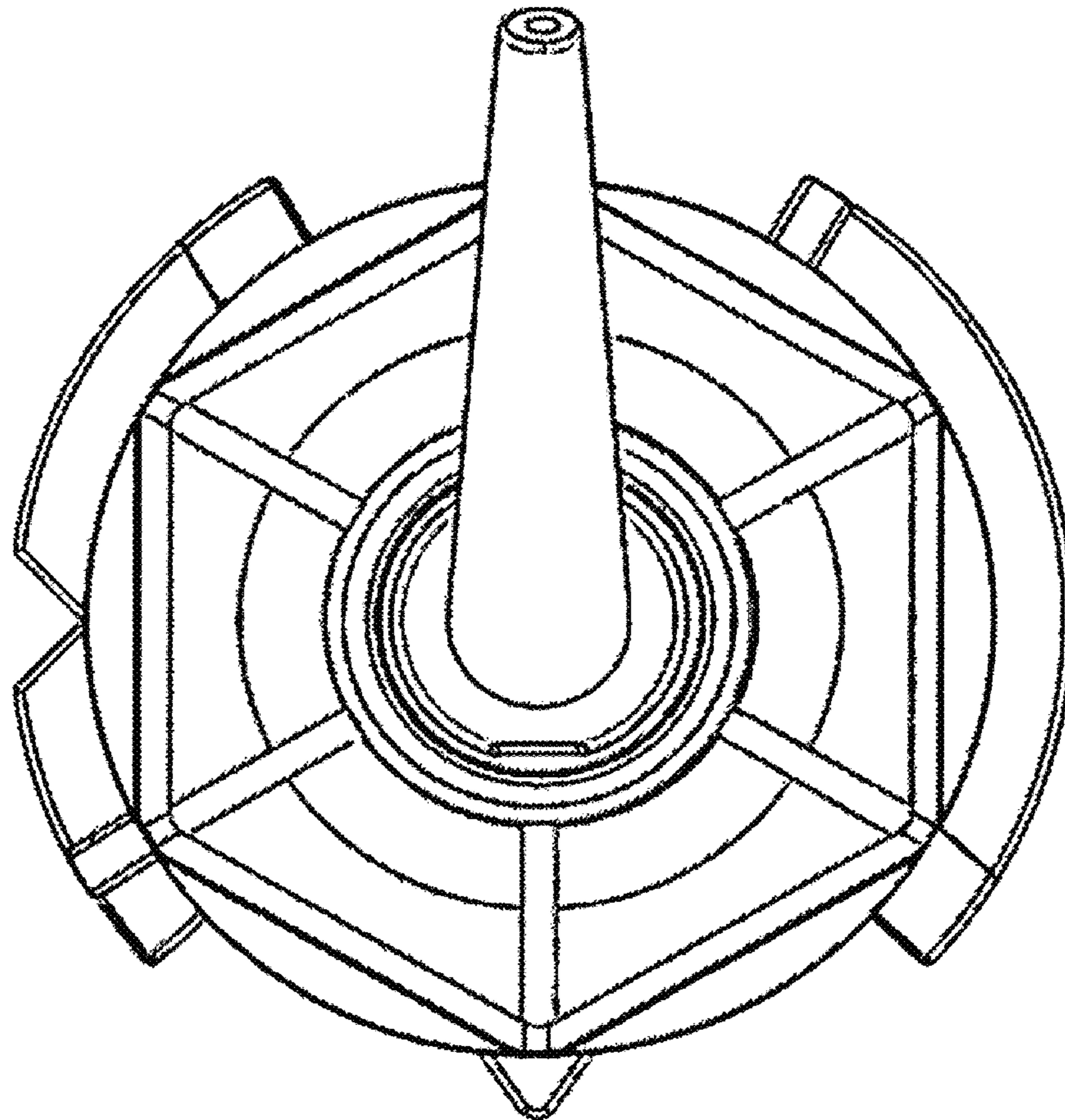
(57) **CLAIM**

The ornamental design for a two component mixing tip, as shown and described.

DESCRIPTION

FIG. 1 is a top view of a two component mixing tip showing the new design;
FIG. 2 is a side view thereof;
FIG. 3 is a front view thereof;
FIG. 4 is a side view thereof; and,
FIG. 5 is a perspective view thereof.

1 Claim, 5 Drawing Sheets



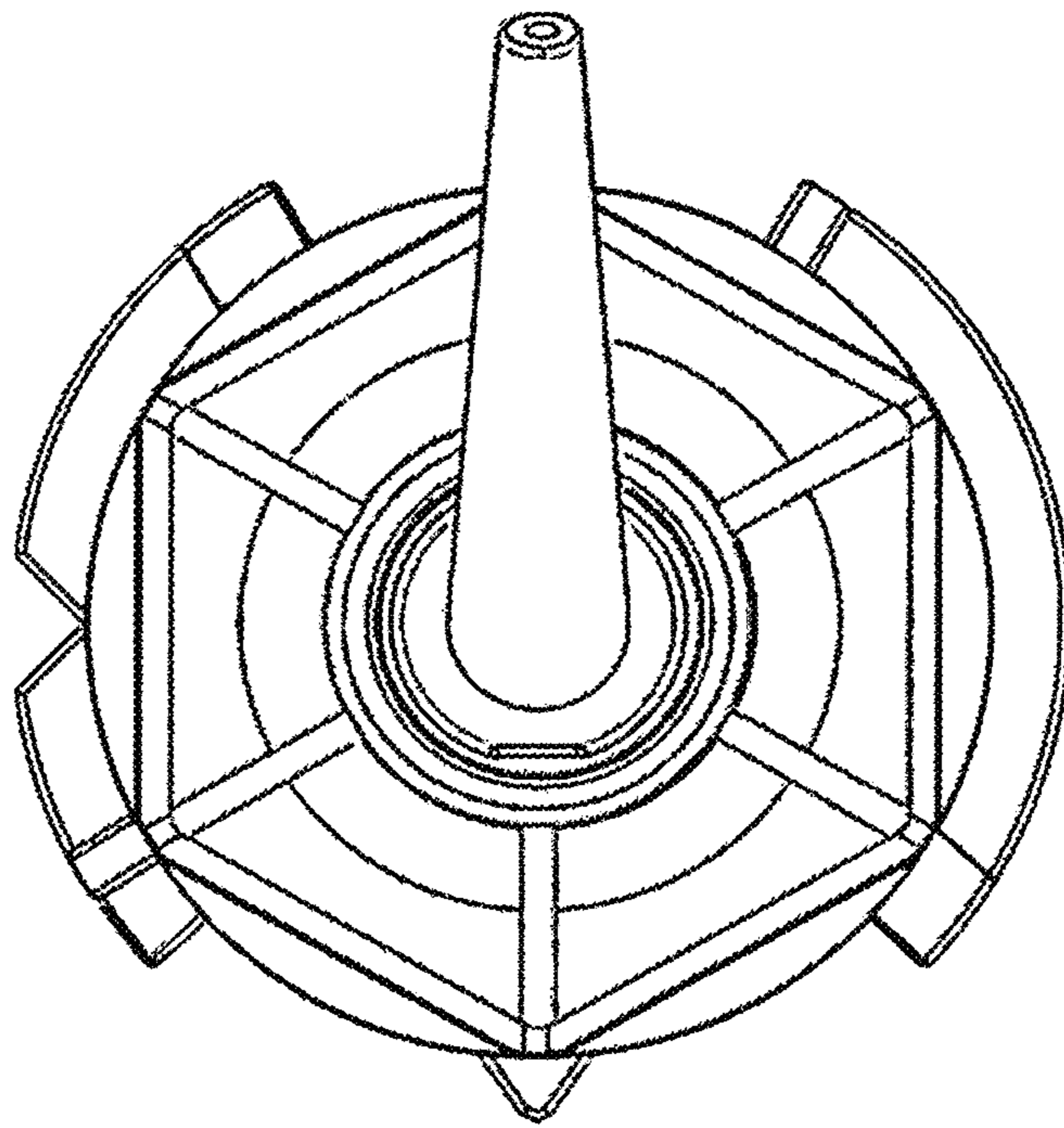


Fig. 1

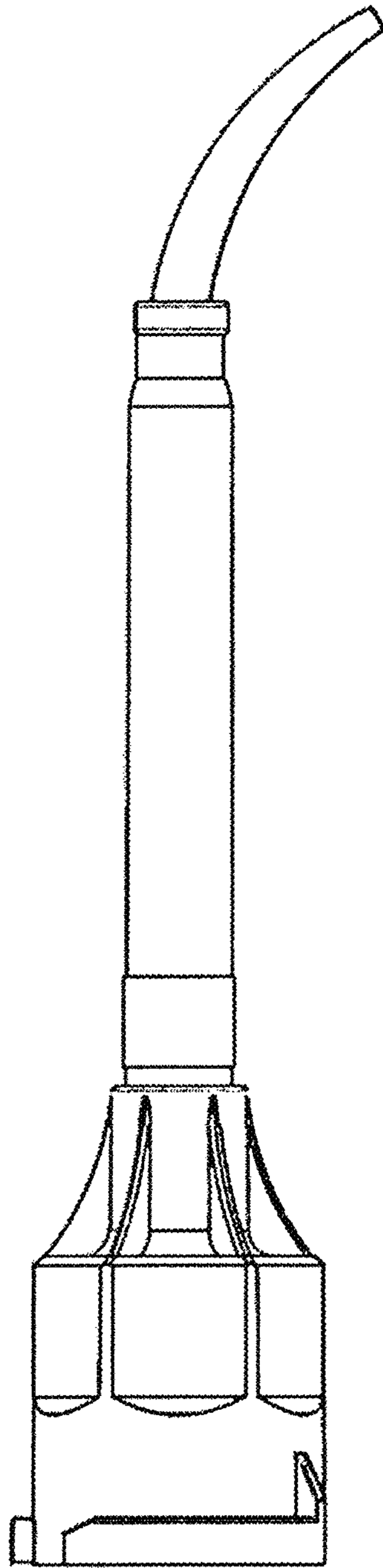


Fig. 2

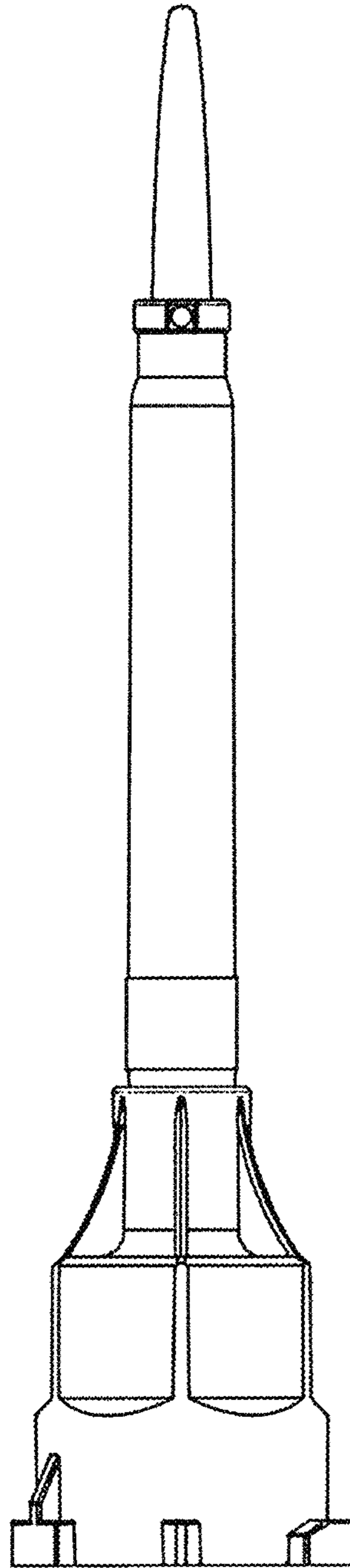


Fig. 3

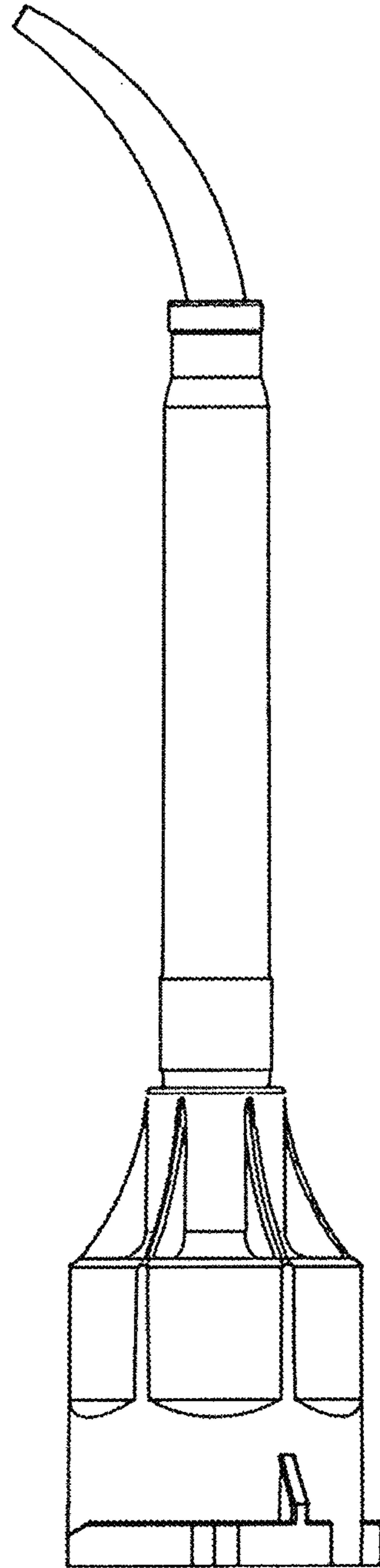


Fig. 4

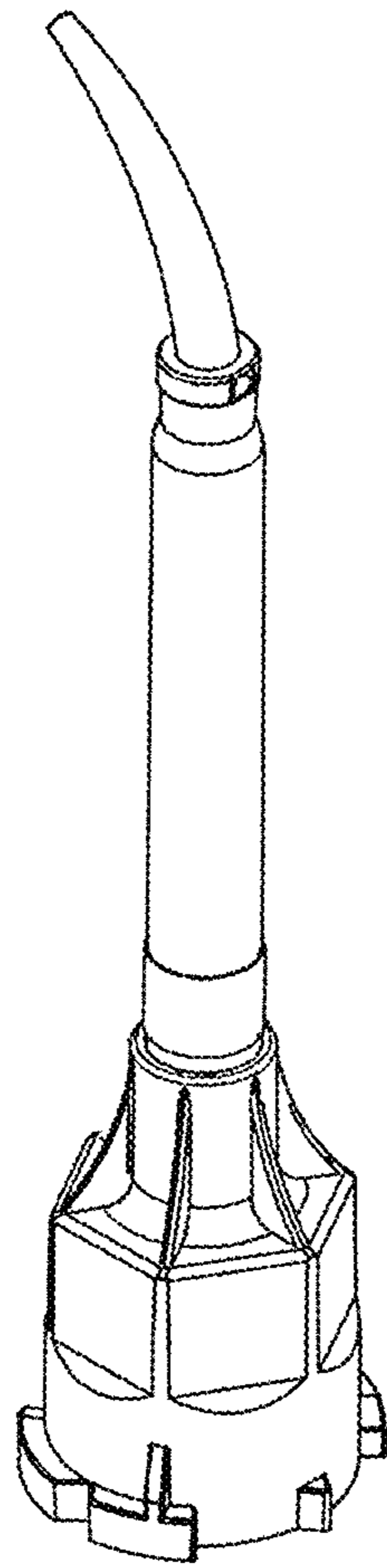


Fig. 5