



US00D785809S

(12) **United States Design Patent**  
**Copeland et al.**

(10) **Patent No.:** **US D785,809 S**

(45) **Date of Patent:** **\*\* May 2, 2017**

(54) **THERMOELECTRIC COOLING DEVICE**

(71) Applicants: **Steve Copeland**, Barrie (CA); **Mitch Thompson**, Barrie (CA)

(72) Inventors: **Steve Copeland**, Barrie (CA); **Mitch Thompson**, Barrie (CA)

(73) Assignee: **Humantec Inc.** (CA)

(\*\*) Term: **14 Years**

(21) Appl. No.: **29/502,486**

(22) Filed: **Sep. 17, 2014**

(30) **Foreign Application Priority Data**

Mar. 20, 2014 (CA) ..... 155649

(51) **LOC (10) Cl.** ..... **24-04**

(52) **U.S. Cl.**  
USPC ..... **D24/206**

(58) **Field of Classification Search**  
USPC ..... D24/191, 201, 202, 204, 206, 208, 211,  
D24/212, 213, 215; 607/2, 3, 98, 109,  
607/115, 118, 144  
See application file for complete search history.

(56) **References Cited**

**U.S. PATENT DOCUMENTS**

D540,471 S *	4/2007	DeBoer	.....	D24/201
D567,385 S *	4/2008	Sinka	.....	D24/202
D569,523 S *	5/2008	Hsieh	.....	D24/206
D602,597 S *	10/2009	Nomi	.....	D24/206
D664,665 S *	7/2012	Wahng	.....	D24/214

D706,439 S *	6/2014	Hahr	.....	D24/215
D738,518 S *	9/2015	Lischinsky	.....	D24/206
D743,569 S *	11/2015	Son	.....	D24/206
D744,114 S *	11/2015	Lamb	.....	D24/215
2010/0198323 A1 *	8/2010	Jung	.....	A61F 7/02 607/109

\* cited by examiner

*Primary Examiner* — Garth Rademaker

*Assistant Examiner* — Samantha Q Lawrence

(74) *Attorney, Agent, or Firm* — Tarolli, Sundheim,  
Covell & Tummino LLP

(57) **CLAIM**

We claim the ornamental design for a thermoelectric cooling device, as shown and described.

**DESCRIPTION**

FIG. 1 is a front perspective view of a thermoelectric cooling device;

FIG. 2 is a side view of the thermoelectric cooling device of FIG. 1;

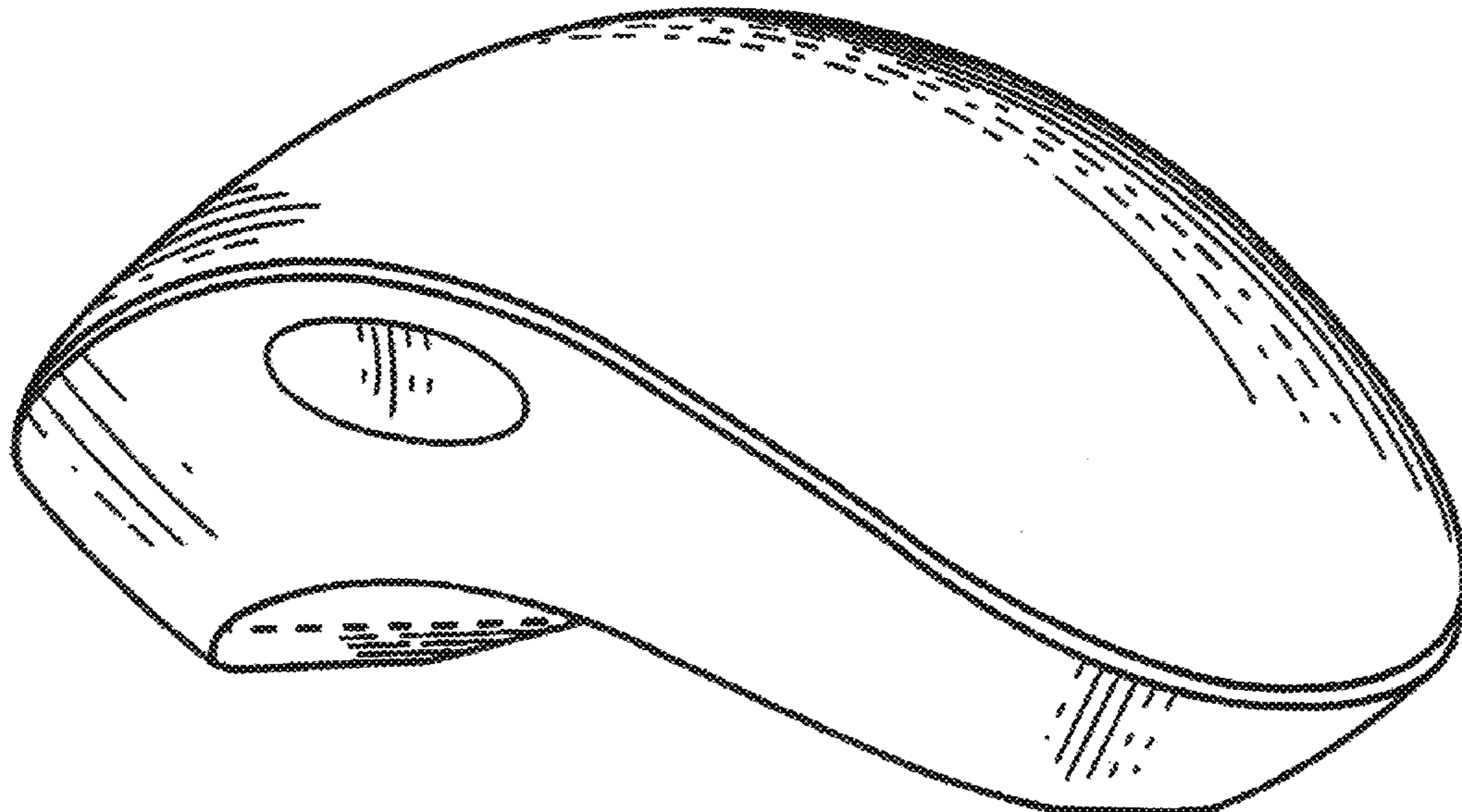
FIG. 3 is a front view of the thermoelectric cooling device of FIG. 1;

FIG. 4 is a top view of the thermoelectric cooling device of FIG. 1; and,

FIG. 5 is a bottom view of the thermoelectric cooling device of FIG. 1.

The broken lines shown in FIGS. 1, 2 and 5 illustrate portions of the thermoelectric cooling device that forms no part of the claimed design.

**1 Claim, 5 Drawing Sheets**



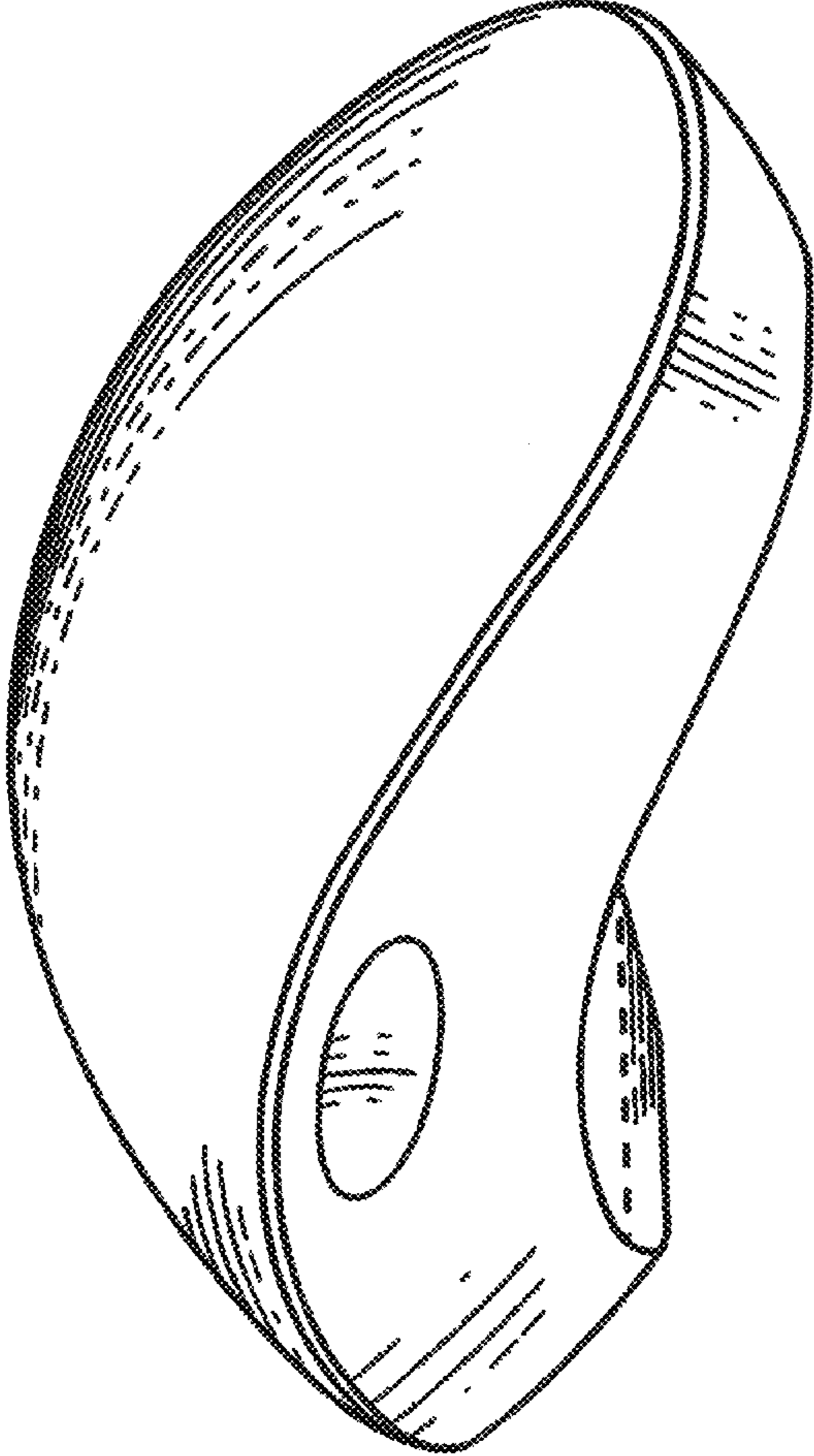


Fig. 1

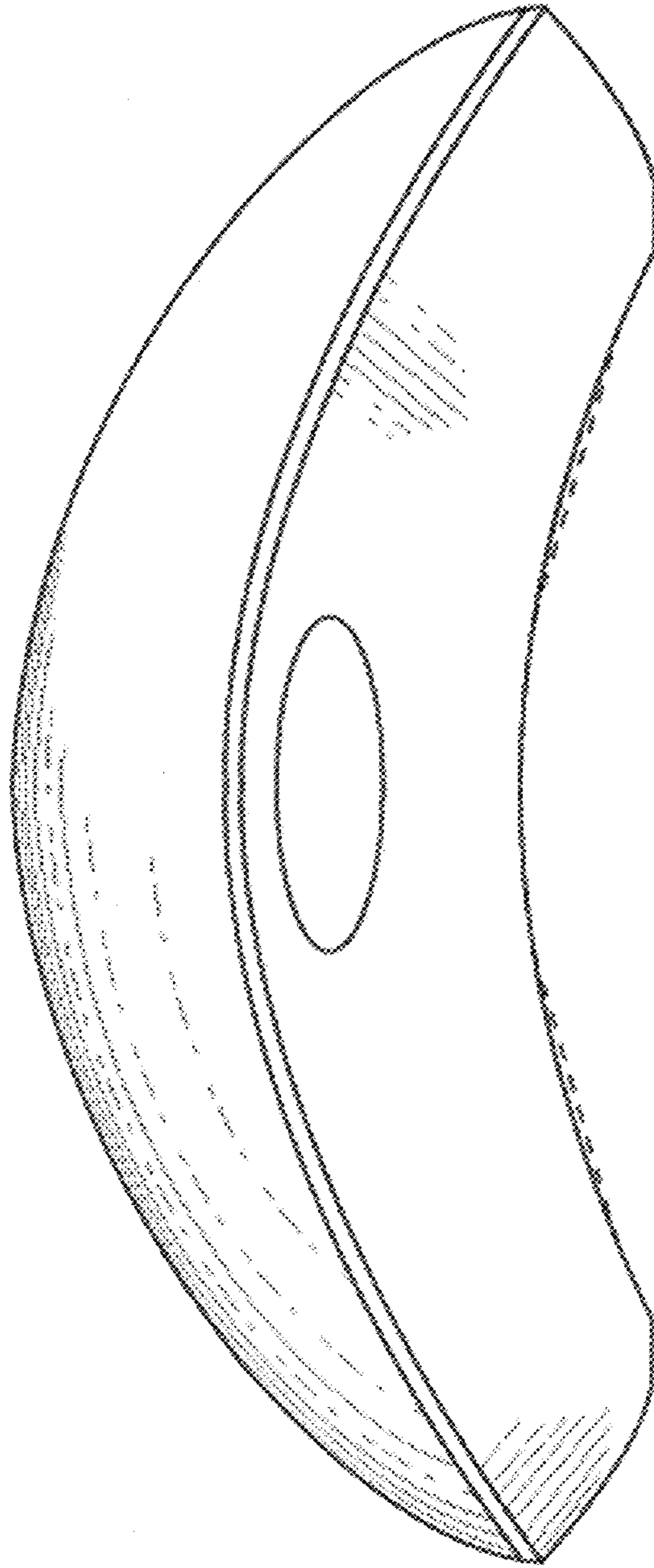


Fig. 2

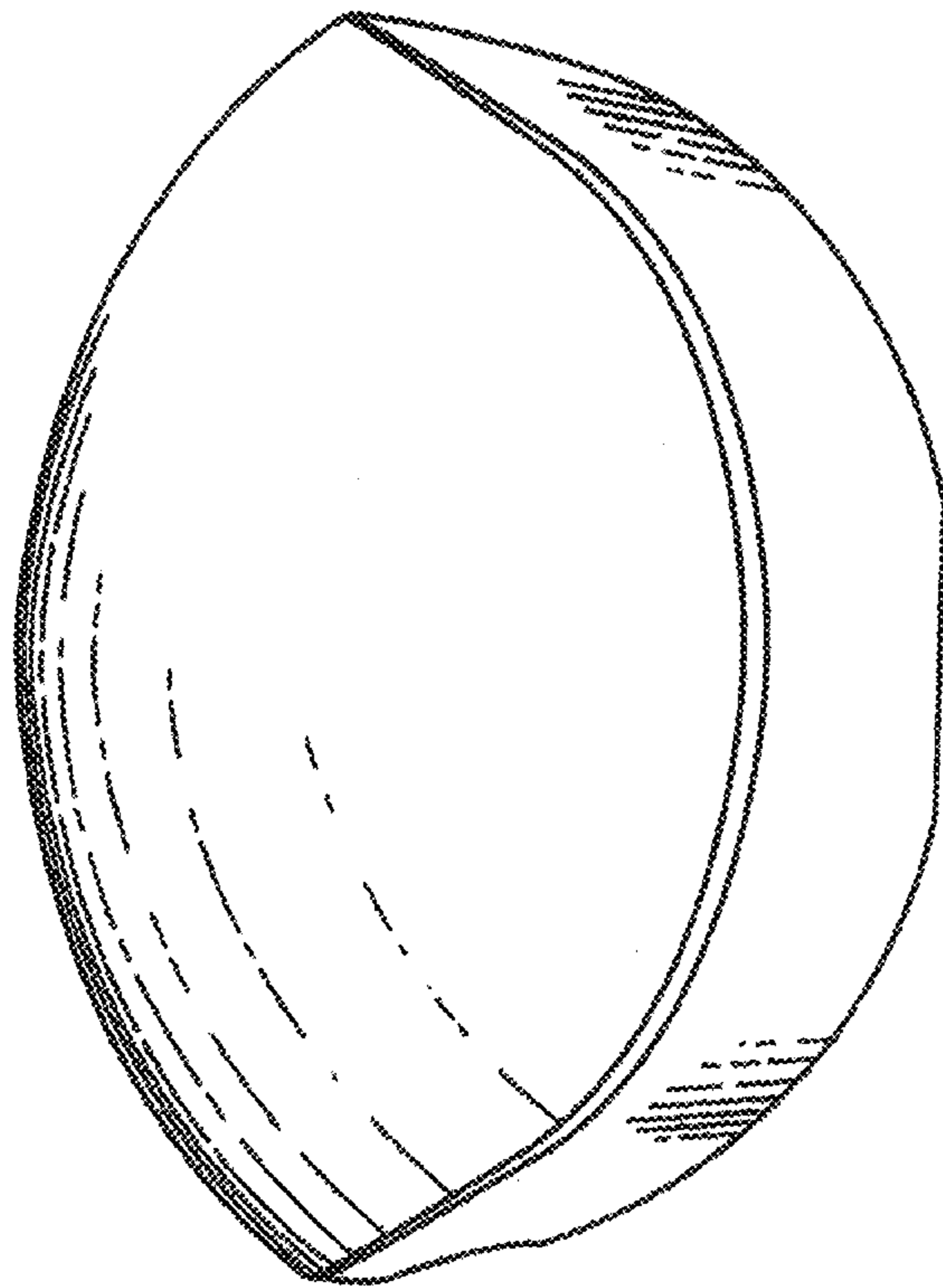


FIG. 3

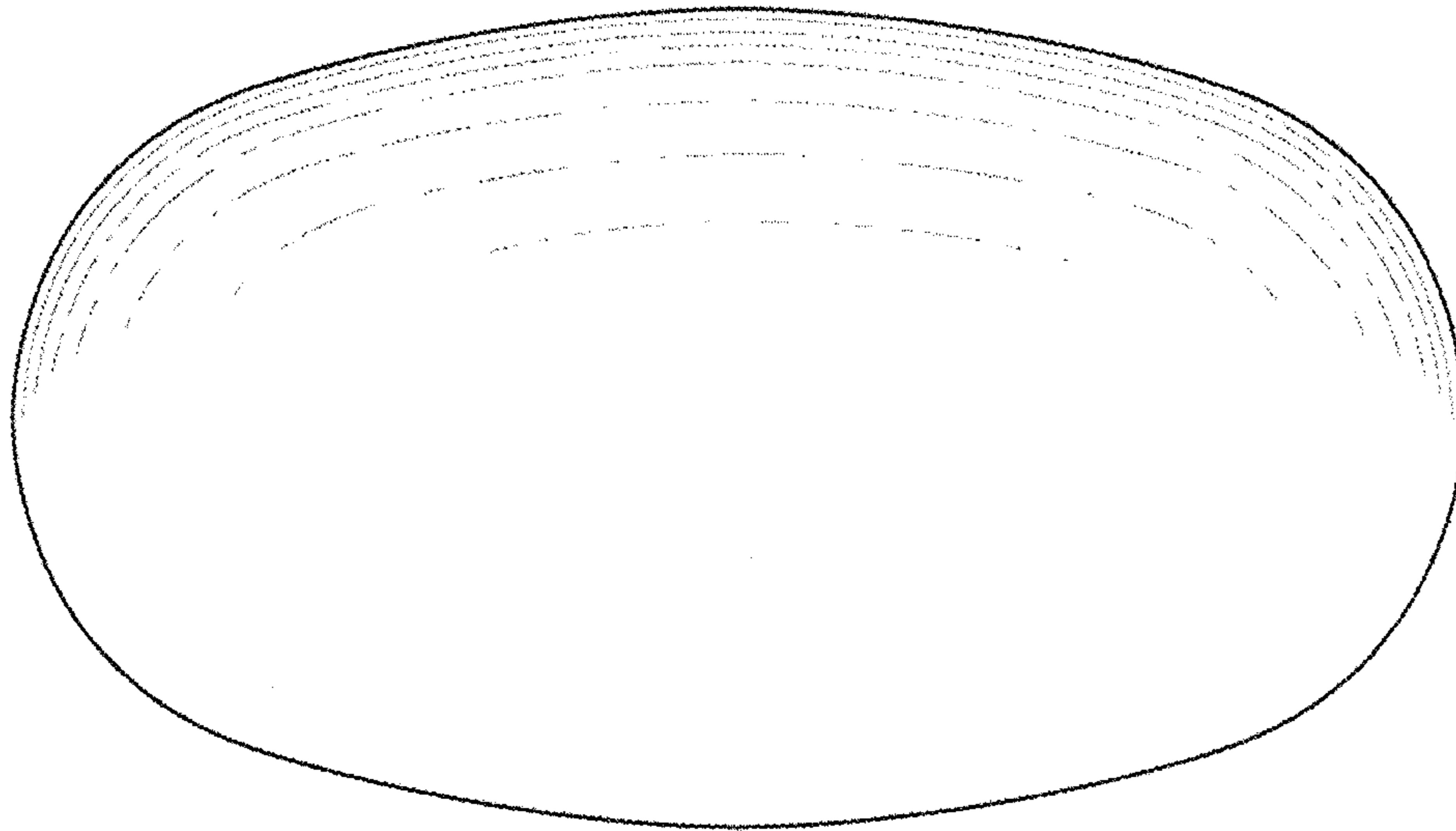


FIG. 4

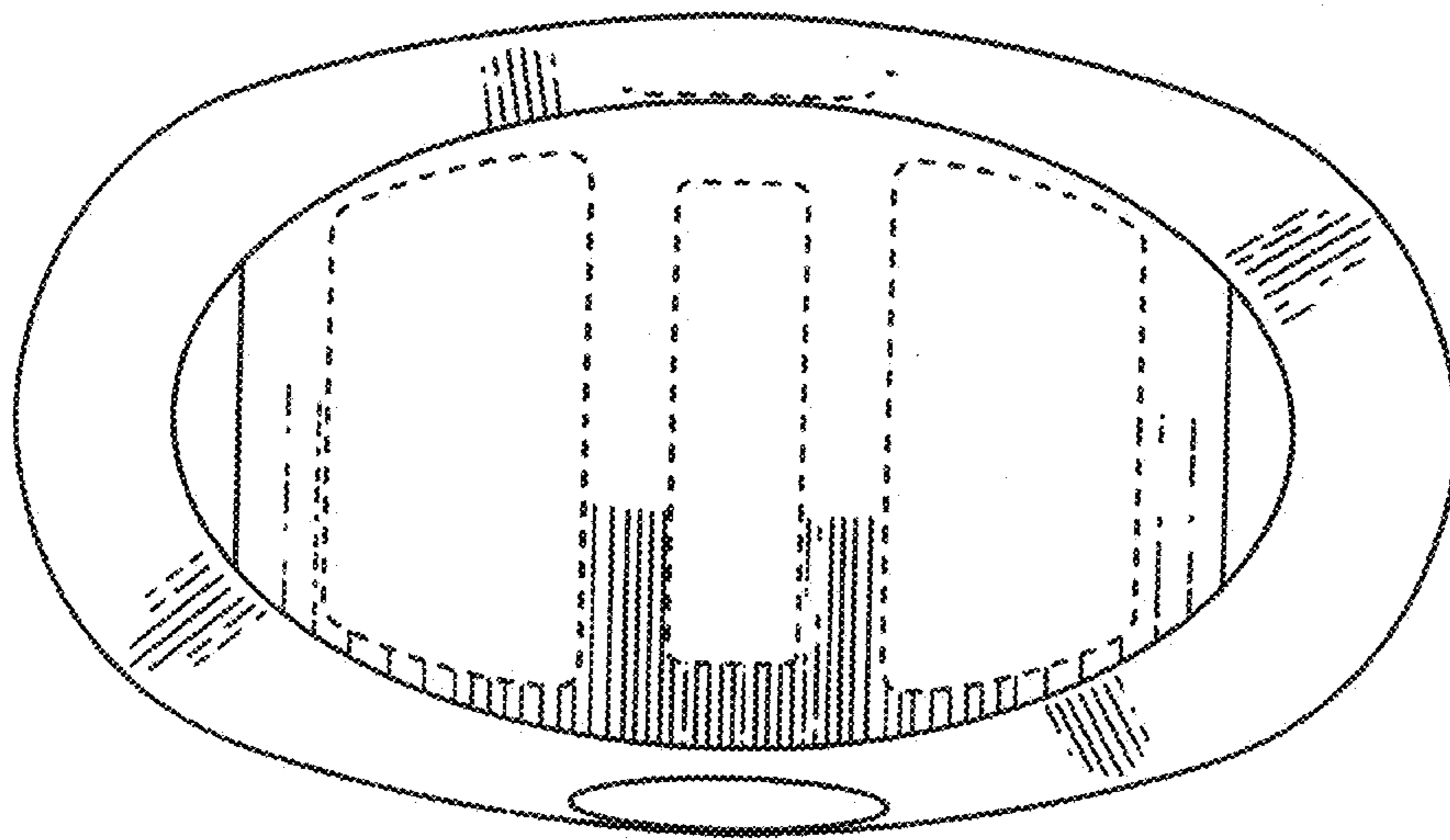


Fig. 5