



US00D785804S

(12) **United States Design Patent**
Matfus et al.

(10) **Patent No.:** **US D785,804 S**

(45) **Date of Patent:** **** *May 2, 2017**

(54) **KNEE SLEEVE**

(71) Applicants: **Nicholas Matfus**, New York, NY (US);
Jane Gilmartin, Manhasset, NY (US)

(72) Inventors: **Nicholas Matfus**, New York, NY (US);
Jane Gilmartin, Manhasset, NY (US)

(73) Assignee: **IdeaVillage Products Corp.**, Wayne,
NJ (US)

(*) Notice: This patent is subject to a terminal disclaimer.

(**) Term: **15 Years**

(21) Appl. No.: **29/505,435**

(22) Filed: **Nov. 2, 2015**

(51) **LOC (10) Cl.** **24-01**

(52) **U.S. Cl.**
USPC **D24/190**

(58) **Field of Classification Search**
USPC D24/190-192; D29/120.1, 121.1, 122
CPC A61F 5/0109; A61F 13/061; A61F 2/7812;
A61F 5/0106; A61F 2002/7818
See application file for complete search history.

(56) **References Cited**

U.S. PATENT DOCUMENTS

- 5,419,161 A * 5/1995 Bodenschatz A61F 13/061
2/16
- 6,592,539 B1 * 7/2003 Einarsson A61F 5/0109
602/26
- D598,115 S * 8/2009 Reinhardt D24/190
- D623,756 S * 9/2010 Chiang D24/190
- D623,757 S * 9/2010 Chiang D24/190
- D623,759 S * 9/2010 Chiang D24/190

- D630,333 S * 1/2011 Chiang D24/190
- D635,266 S * 3/2011 Chiang D24/190
- D646,790 S * 10/2011 Castillo D24/190
- 8,118,765 B2 * 2/2012 Magnusson A61F 5/0109
602/26
- D665,950 S * 8/2012 Rokitta D29/121.1
- D767,773 S * 9/2016 Jiminez D24/190
- 2007/0077393 A1 * 4/2007 Chiang A61F 5/01
428/131

* cited by examiner

Primary Examiner — George D Kirschbaum

Assistant Examiner — Jennifer Watkins

(74) *Attorney, Agent, or Firm* — Dan DeLaRosa

(57) **CLAIM**

The ornamental design for a knee sleeve, as shown and described.

DESCRIPTION

FIG. 1 is a front perspective view of a knee sleeve of the present invention showing my design.

FIG. 2 is a front side elevation view thereof;

FIG. 3 is back side elevation view thereof;

FIG. 4 is a side elevation view thereof;

FIG. 5 is another side elevation view thereof

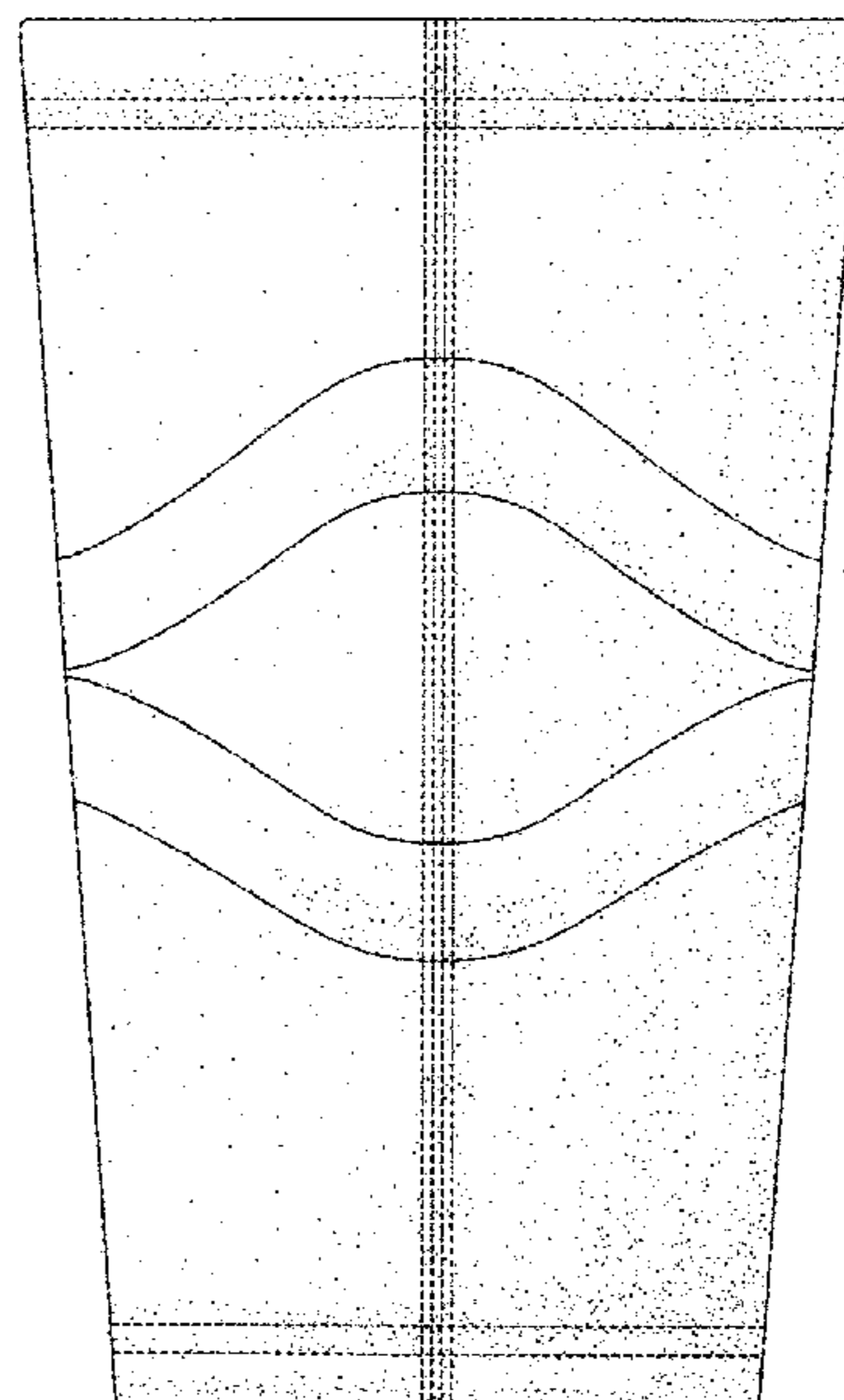
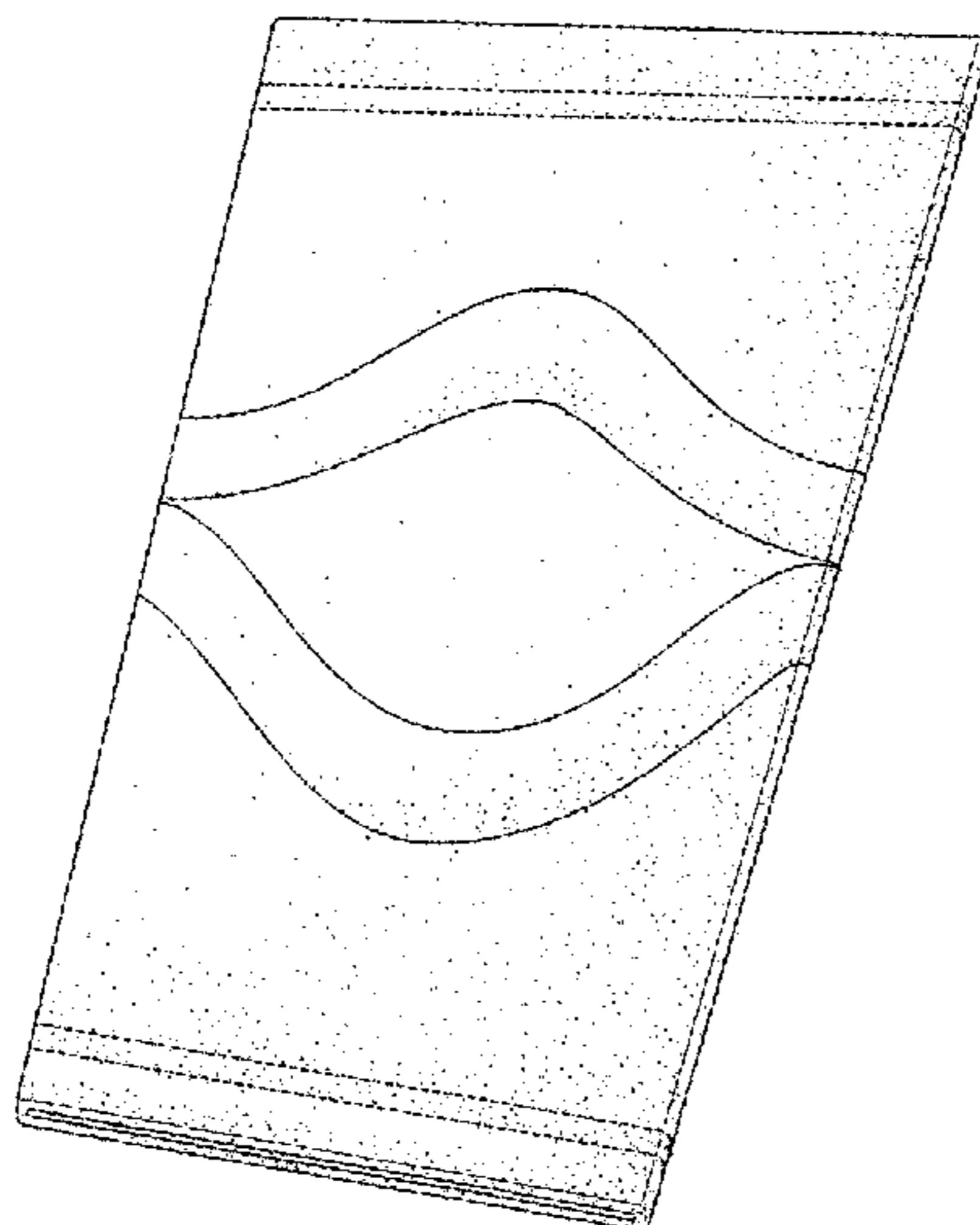
FIG. 6 is a top plan view thereof;

FIG. 7 is a bottom plan view thereof; and,

FIG. 8 is a perspective view of FIG. 1 in use.

The broken lines in the drawings are for the purpose of illustrating stitching and form no part of the claim. The broken lines showing a human leg in FIG. 8 are for the purpose of illustrating environment and forms no part of the claim.

1 Claim, 6 Drawing Sheets



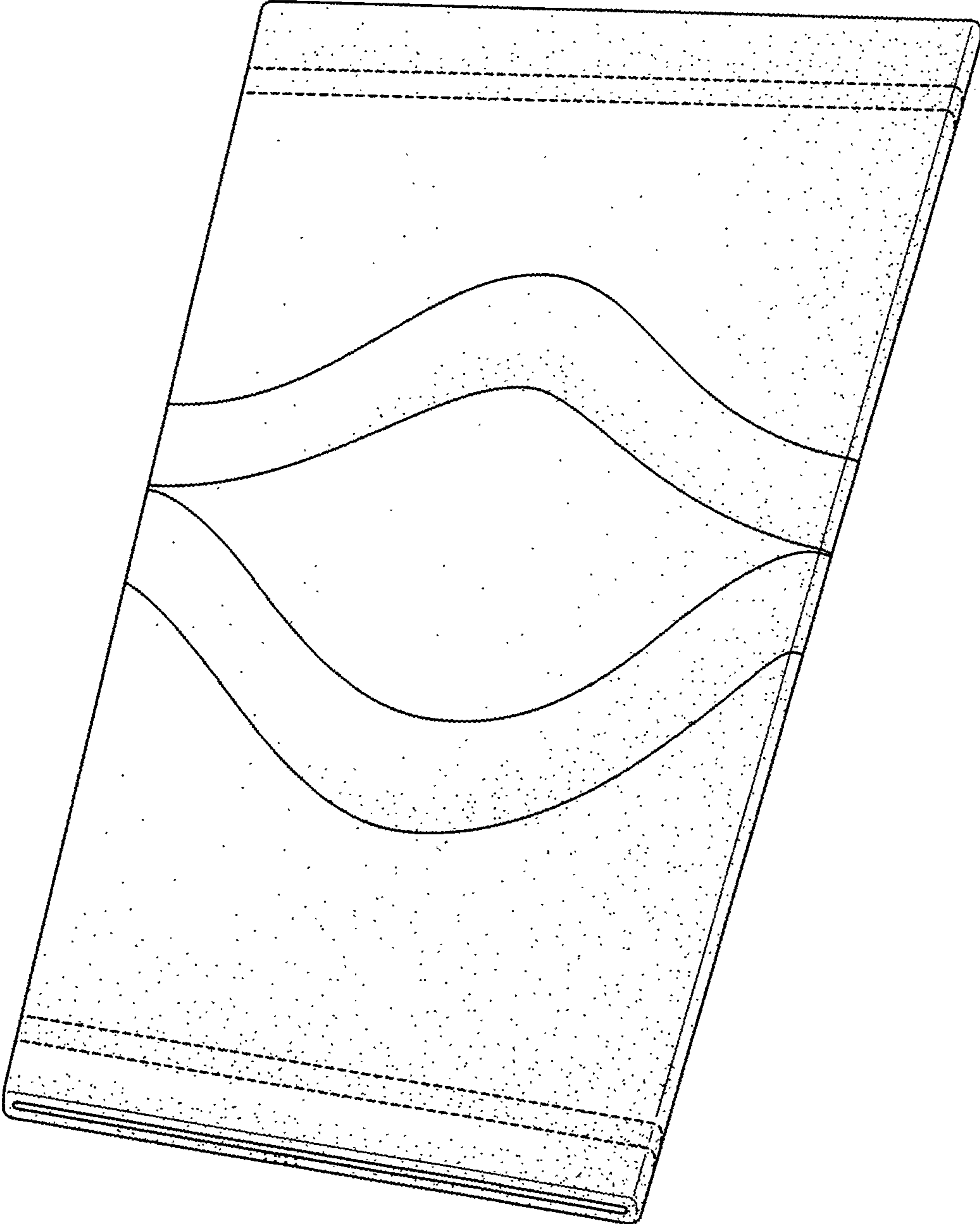


FIG. 1

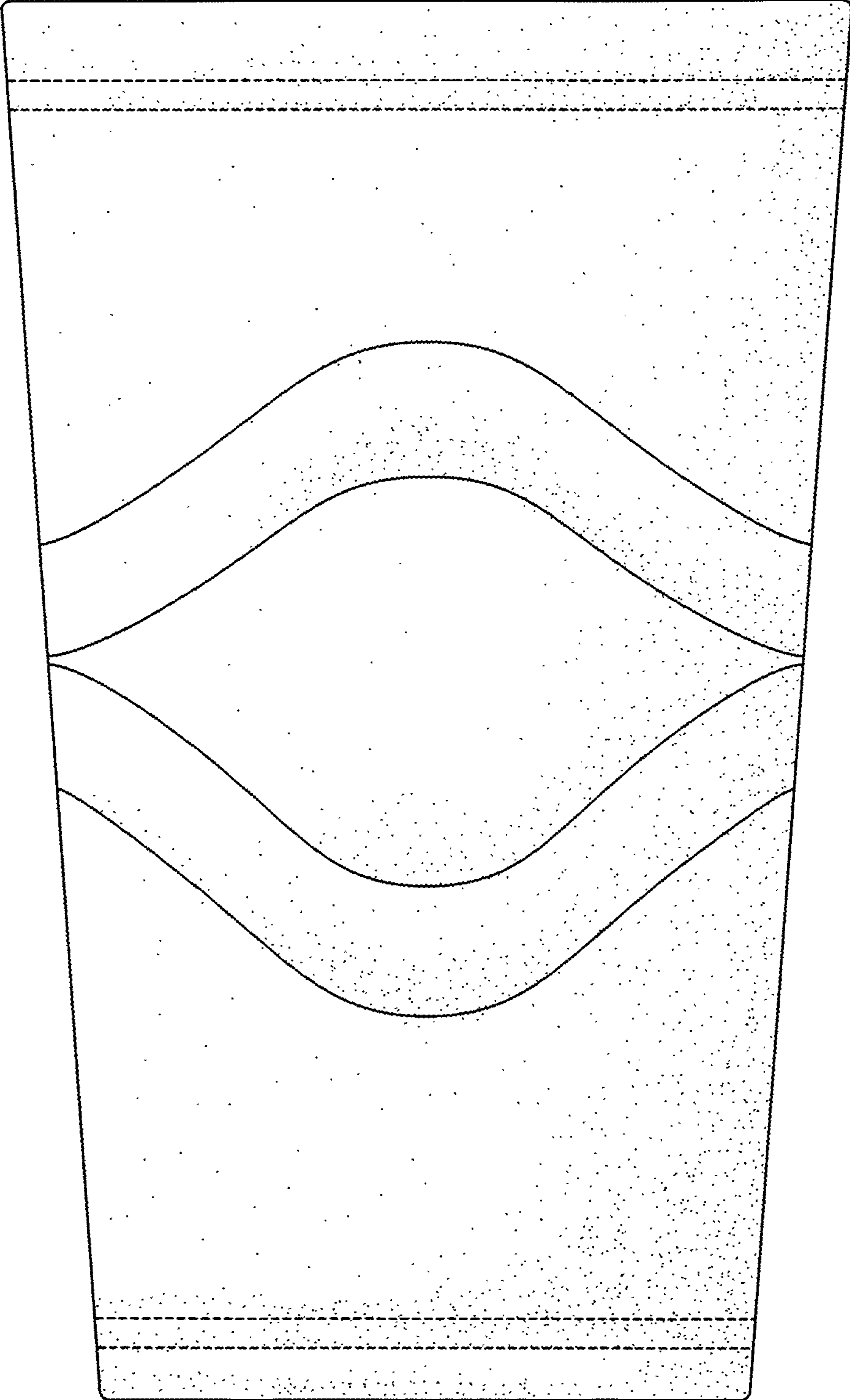


FIG. 2

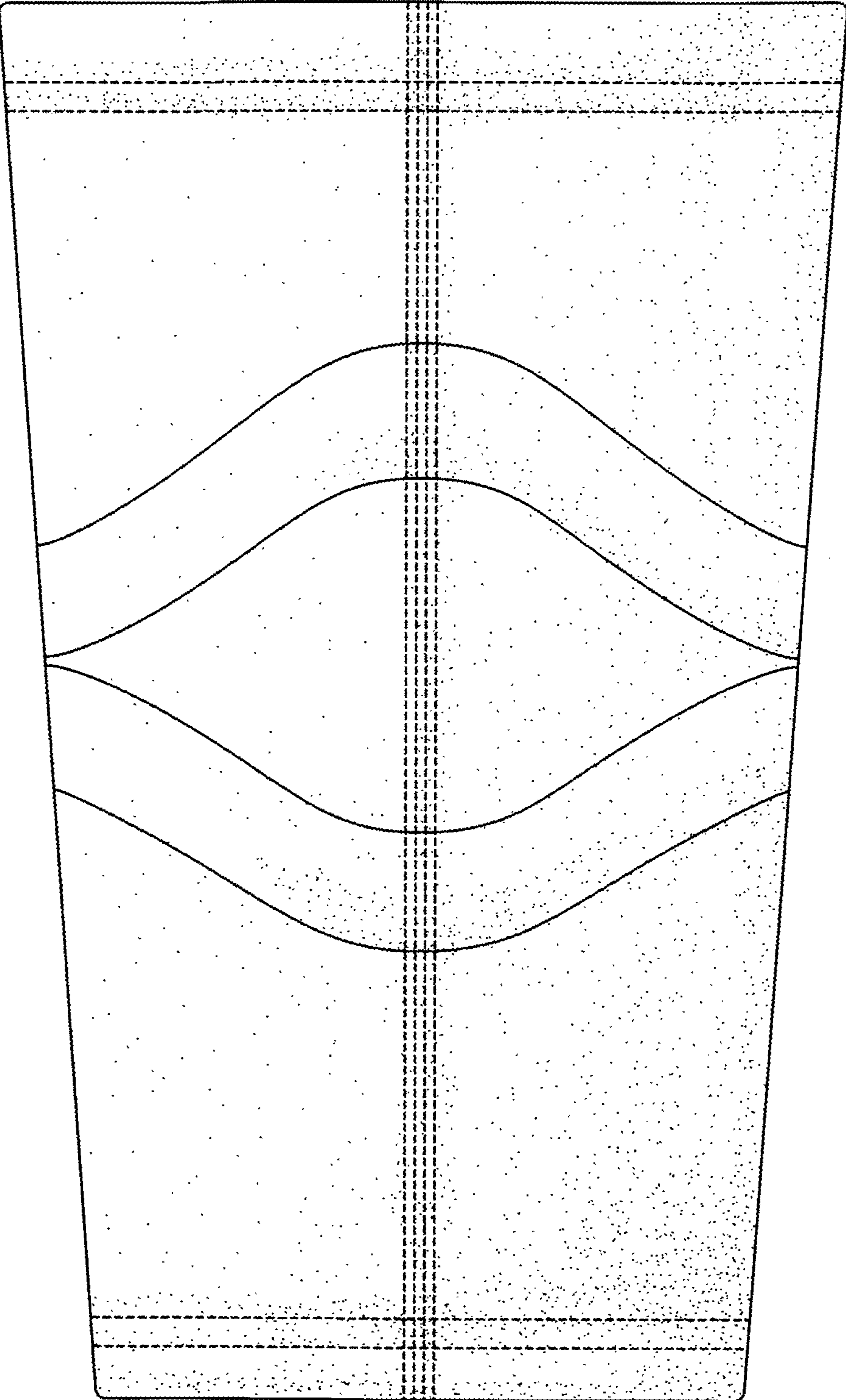


FIG. 3



FIG. 4

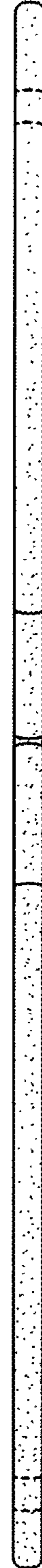


FIG. 5

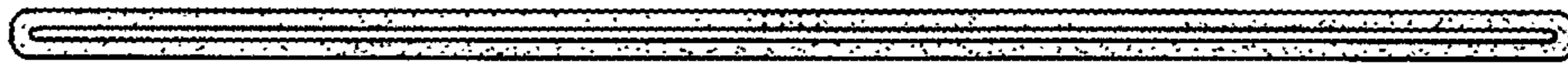


FIG. 6

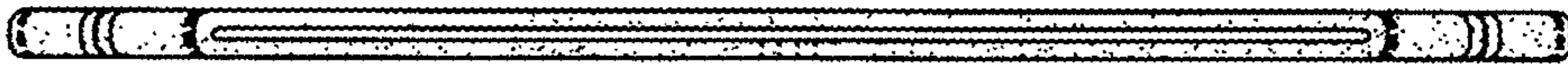


FIG. 7

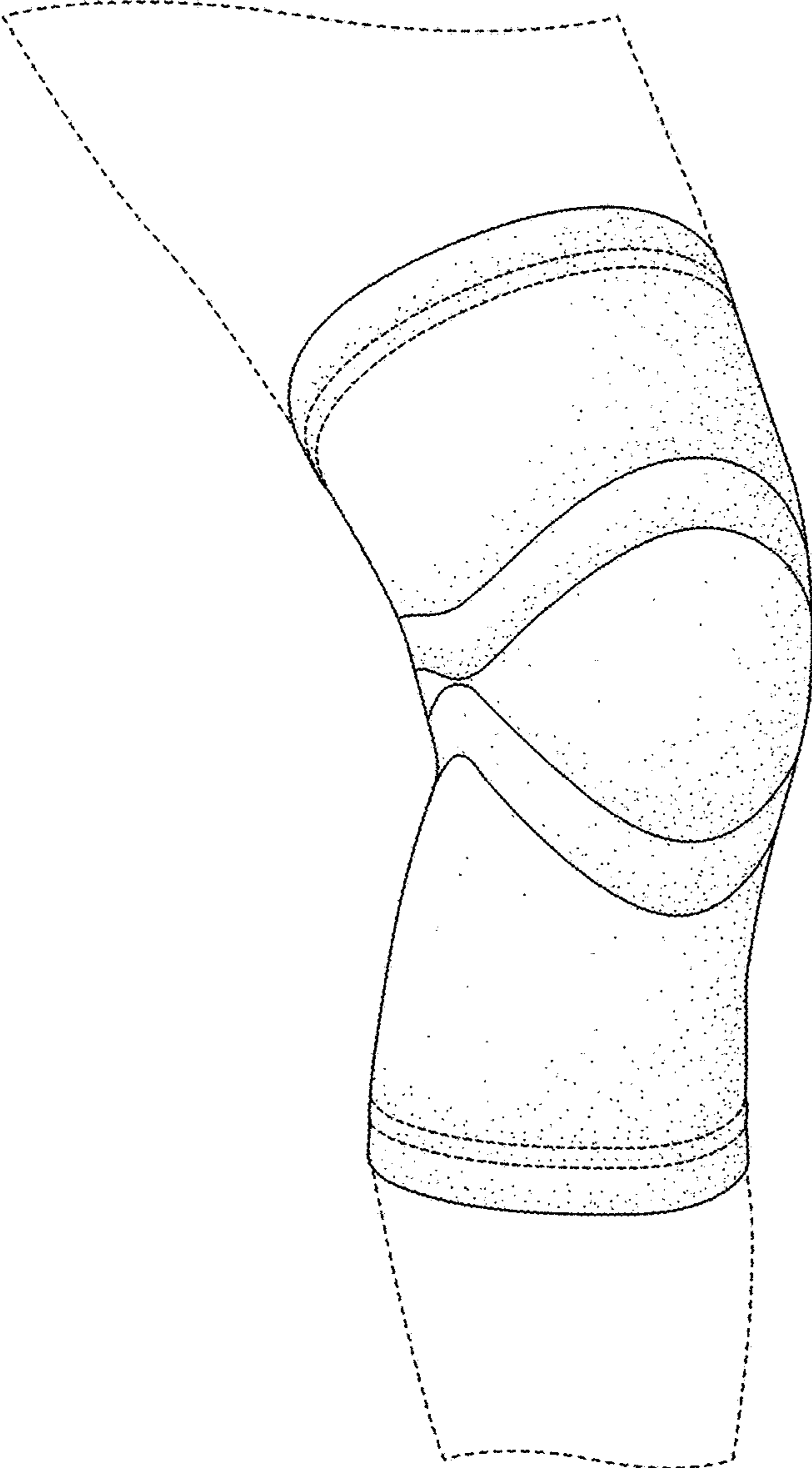


FIG. 8