



US00D785803S

(12) **United States Design Patent**  
**Penn**

(10) **Patent No.:** **US D785,803 S**

(45) **Date of Patent:** **\*\* May 2, 2017**

- (54) **DENTAL APPLIANCE**
- (71) Applicant: **David Penn Consulting Pty Limited,**  
Double Bay (AU)
- (72) Inventor: **David Penn,** Point Piper (AU)
- (73) Assignee: **DAVID PENN CONSULTING PTY LIMITED (AU)**
- (\*\*) Term: **15 Years**
- (21) Appl. No.: **29/551,680**
- (22) Filed: **Jan. 15, 2016**
- (30) **Foreign Application Priority Data**  
Jul. 15, 2015 (AU) ..... 363265
- (51) **LOC (10) Cl.** ..... **24-99**
- (52) **U.S. Cl.**  
USPC ..... **D24/181; D24/176**
- (58) **Field of Classification Search**  
USPC ..... D24/176-182, 152, 154-156, 119;  
D4/128, 111, 133  
CPC . A61C 17/00; A61C 17/0202; A61C 17/0211;  
A61C 17/036; A61C 17/22; A61C  
17/222; A61C 17/228; A46B 9/045; A46B  
9/005; A46B 9/025  
See application file for complete search history.

- (56) **References Cited**  
U.S. PATENT DOCUMENTS  
3,769,652 A \* 11/1973 Rainer ..... A46B 9/045  
15/167.2  
4,224,710 A \* 9/1980 Solow ..... A46B 9/045  
15/22.1  
5,175,901 A \* 1/1993 Rabinowitz ..... A46B 9/045  
15/167.1  
5,337,435 A \* 8/1994 Krasner ..... A61C 17/0211  
15/22.1

- 6,353,956 B1 \* 3/2002 Berge ..... A46B 9/045  
15/167.2
- 8,631,531 B2 \* 1/2014 Garner ..... A61C 17/228  
15/22.1
- 8,745,802 B2 \* 6/2014 Steur ..... A61C 17/228  
15/167.2
- 8,978,189 B1 \* 3/2015 Sexton ..... A46B 9/045  
15/167.2
- 9,277,980 B2 \* 3/2016 Leveling ..... A61C 17/228  
D764,061 S \* 8/2016 Furdui-Carr ..... D24/181
- 2009/0276972 A1 \* 11/2009 Dugan ..... A46B 9/045  
15/167.2
- 2011/0072605 A1 \* 3/2011 Steur ..... A61C 17/222  
15/167.2
- 2011/0289709 A1 \* 12/2011 Attaway ..... A61C 17/228  
15/167.2
- 2013/0067665 A1 \* 3/2013 Sowinski ..... A61C 17/228  
15/4
- 2013/0220357 A1 \* 8/2013 Campbell ..... A46B 9/045  
132/200

(Continued)

*Primary Examiner* — Wan Laymon  
(74) *Attorney, Agent, or Firm* — Galgano IP Law PLLC;  
Thomas M. Galgano; Jessica G. McDonald

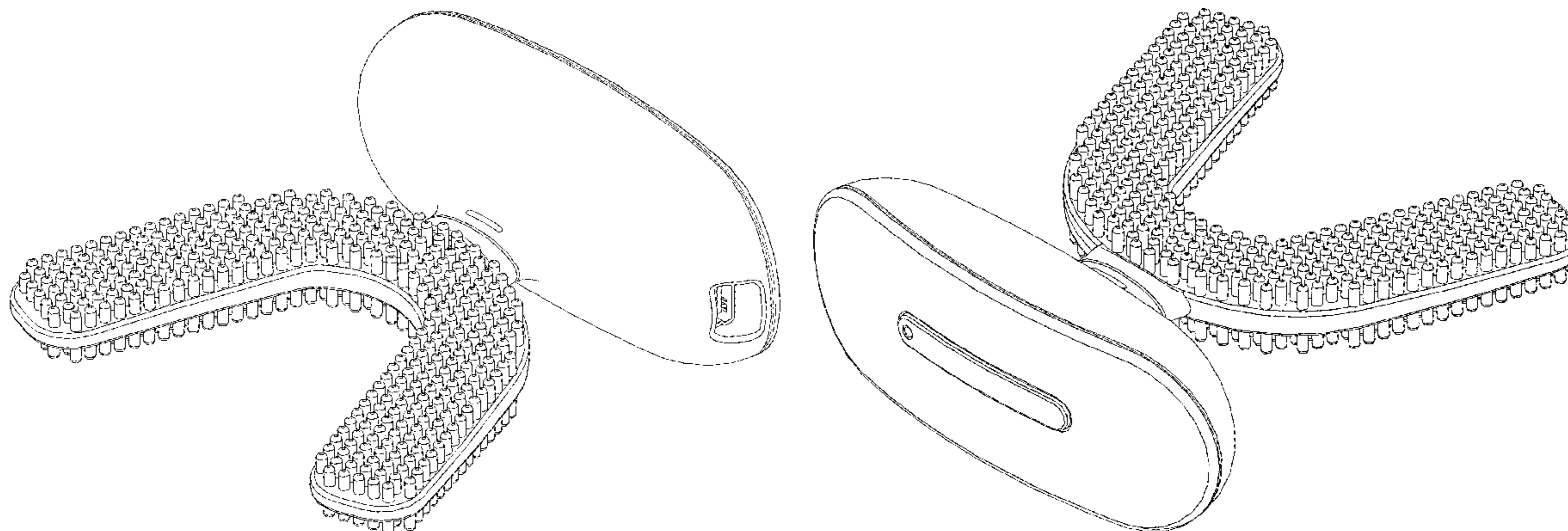
(57) **CLAIM**

The ornamental design for a dental appliance, as shown and described.

**DESCRIPTION**

FIG. 1 is a front and right side perspective view of a dental appliance, showing my new design;  
FIG. 2 is a top plan view thereof;  
FIG. 3 is a left side elevational view thereof;  
FIG. 4 is a rear elevational view thereof;  
FIG. 5 is a right side elevational view thereof;  
FIG. 6 is a front elevational view thereof;  
FIG. 7 is a bottom plan view thereof; and,  
FIG. 8 is a rear and left side perspective view thereof.

**1 Claim, 6 Drawing Sheets**



(56)

**References Cited**

U.S. PATENT DOCUMENTS

2015/0250571 A1\* 9/2015 Oelgiesser ..... A61C 17/228  
15/22.2  
2015/0282910 A1\* 10/2015 Furdui-Carr ..... A61C 17/228  
15/22.2  
2016/0270892 A1\* 9/2016 Yoo ..... A61C 17/222

\* cited by examiner

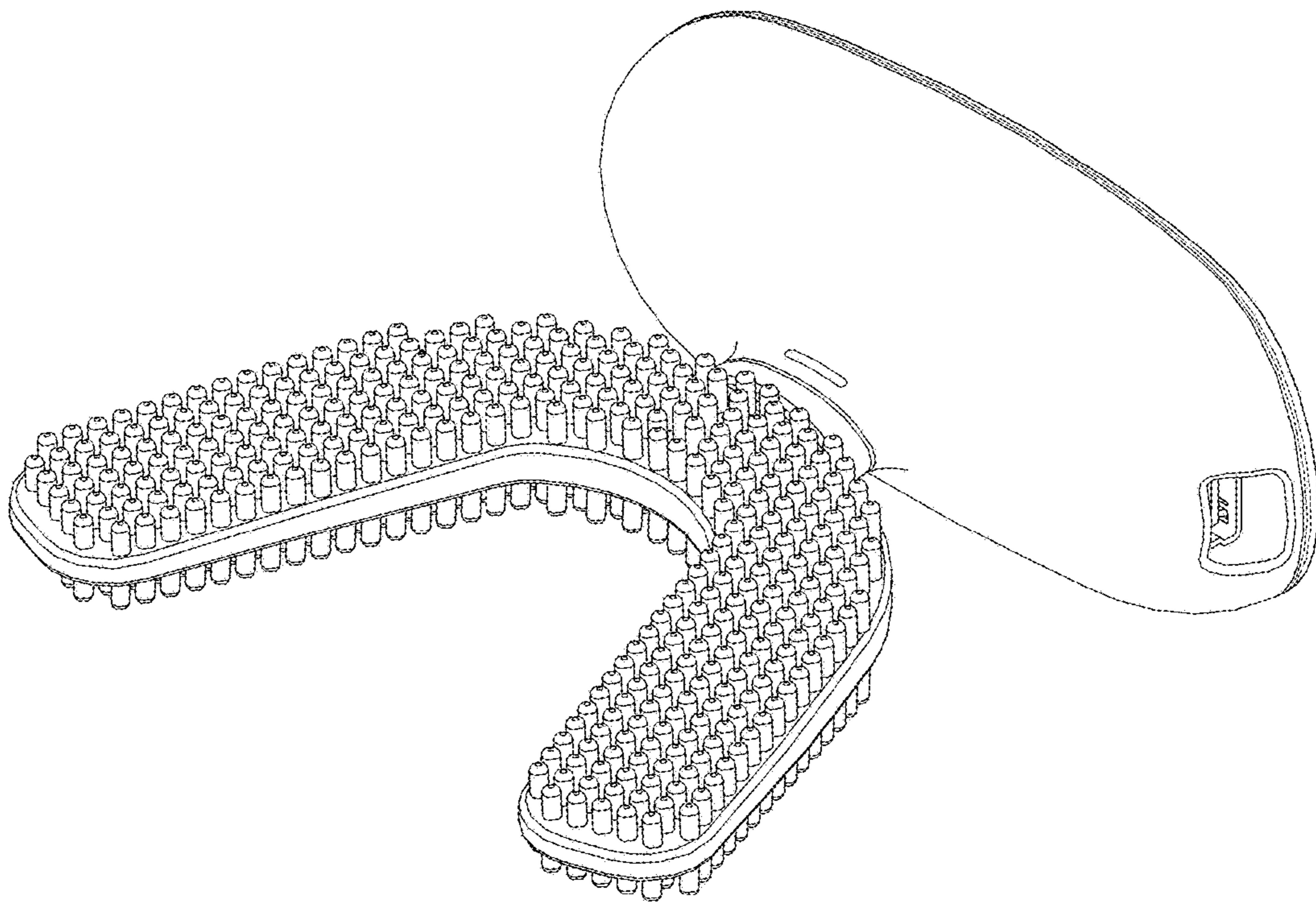


FIGURE 1

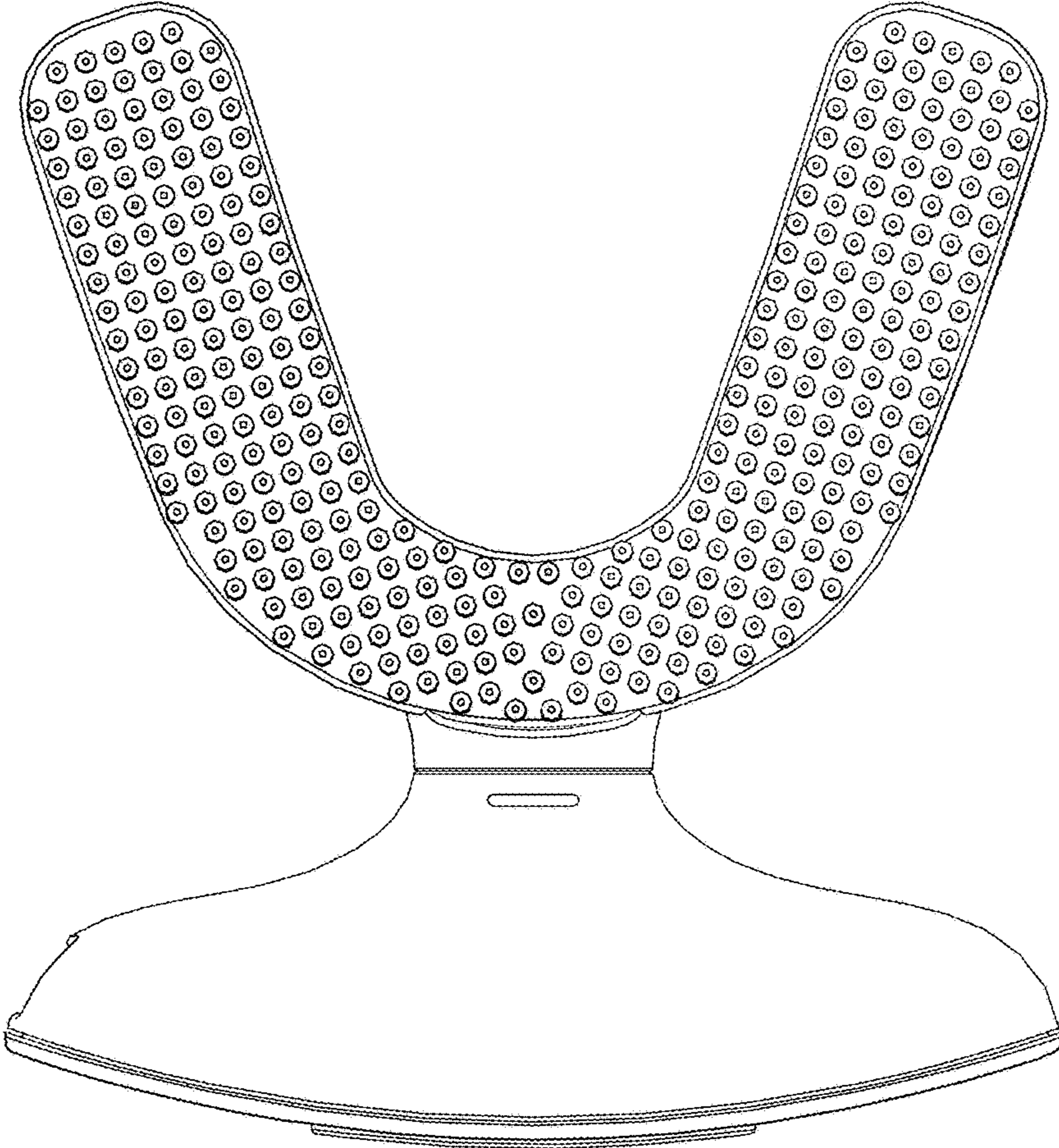


FIGURE 2

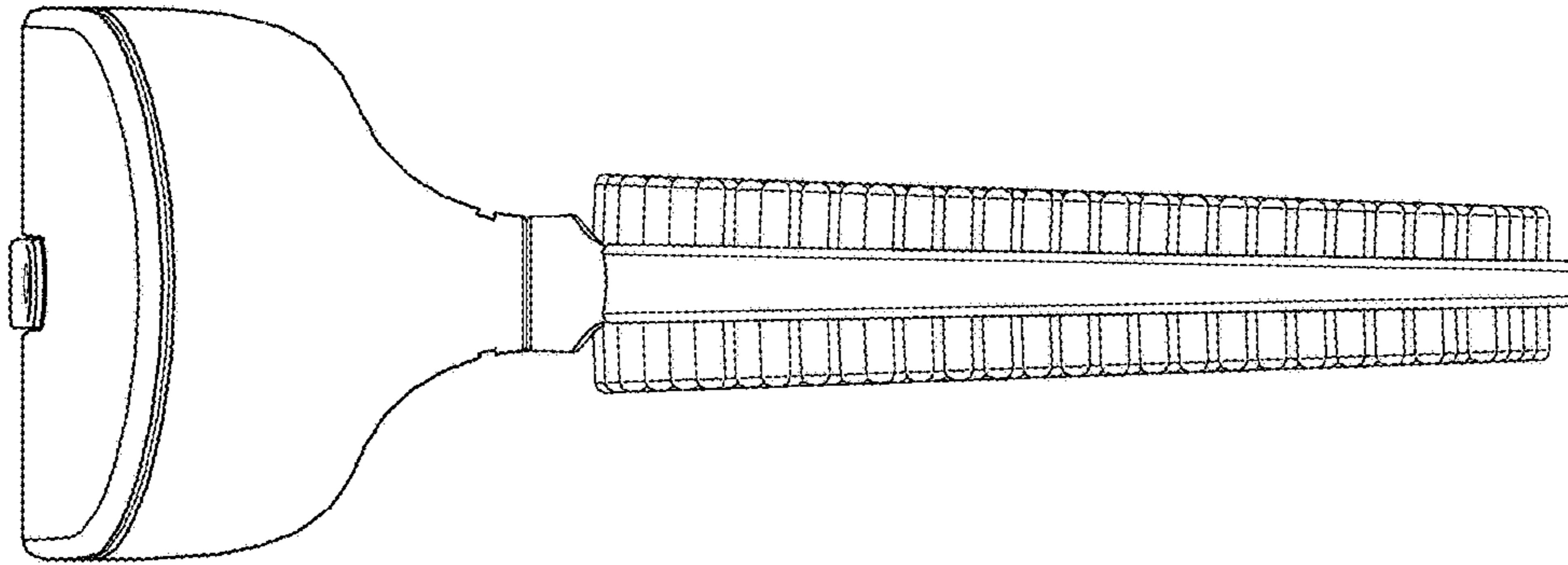


FIGURE 3

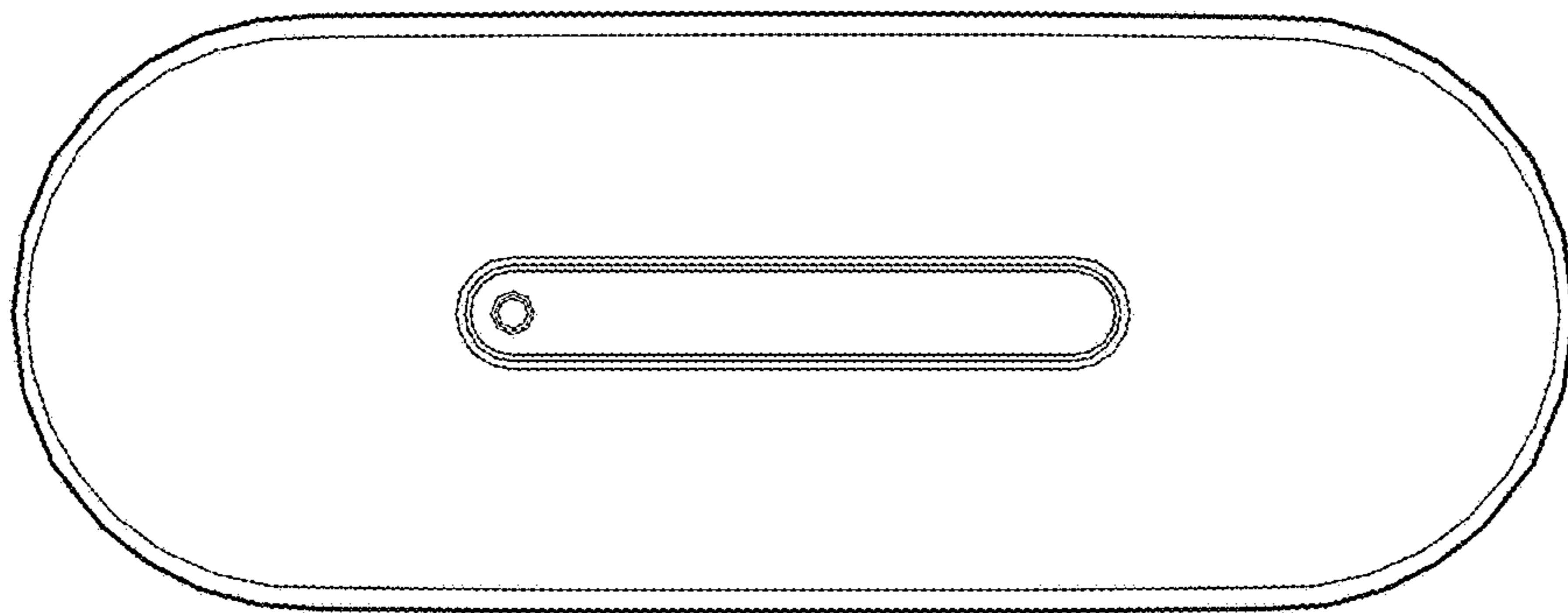


FIGURE 4

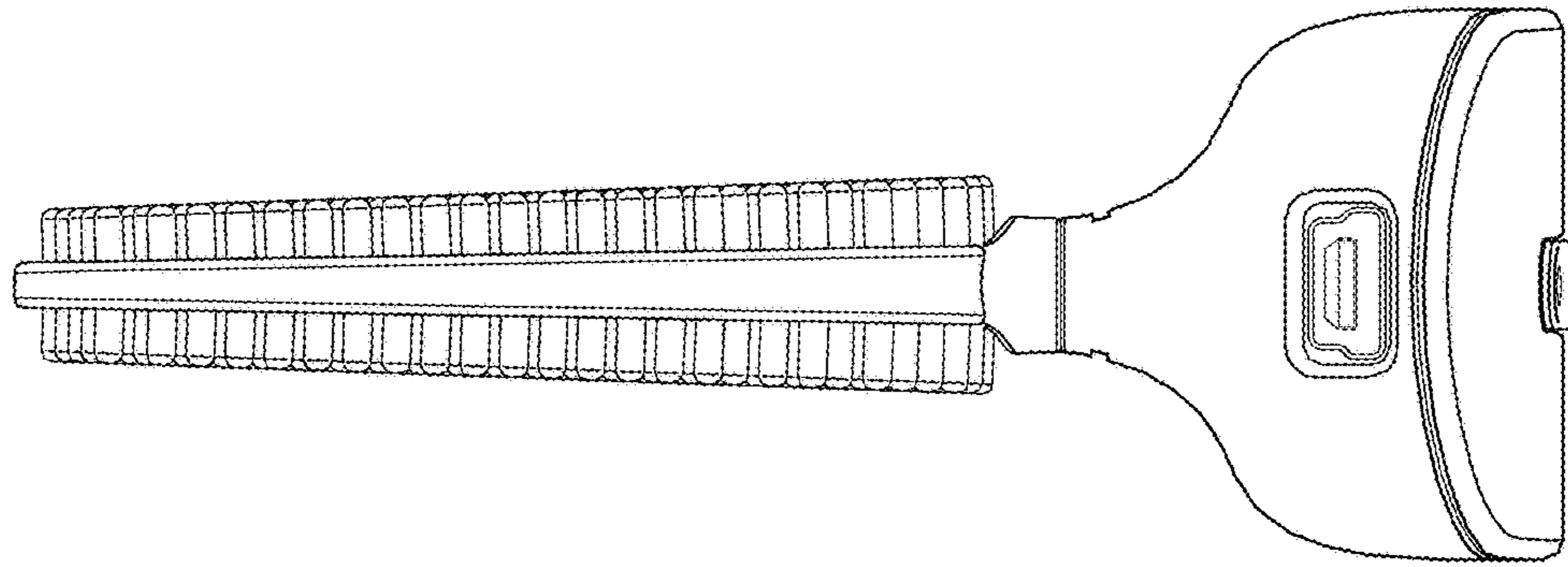


FIGURE 5

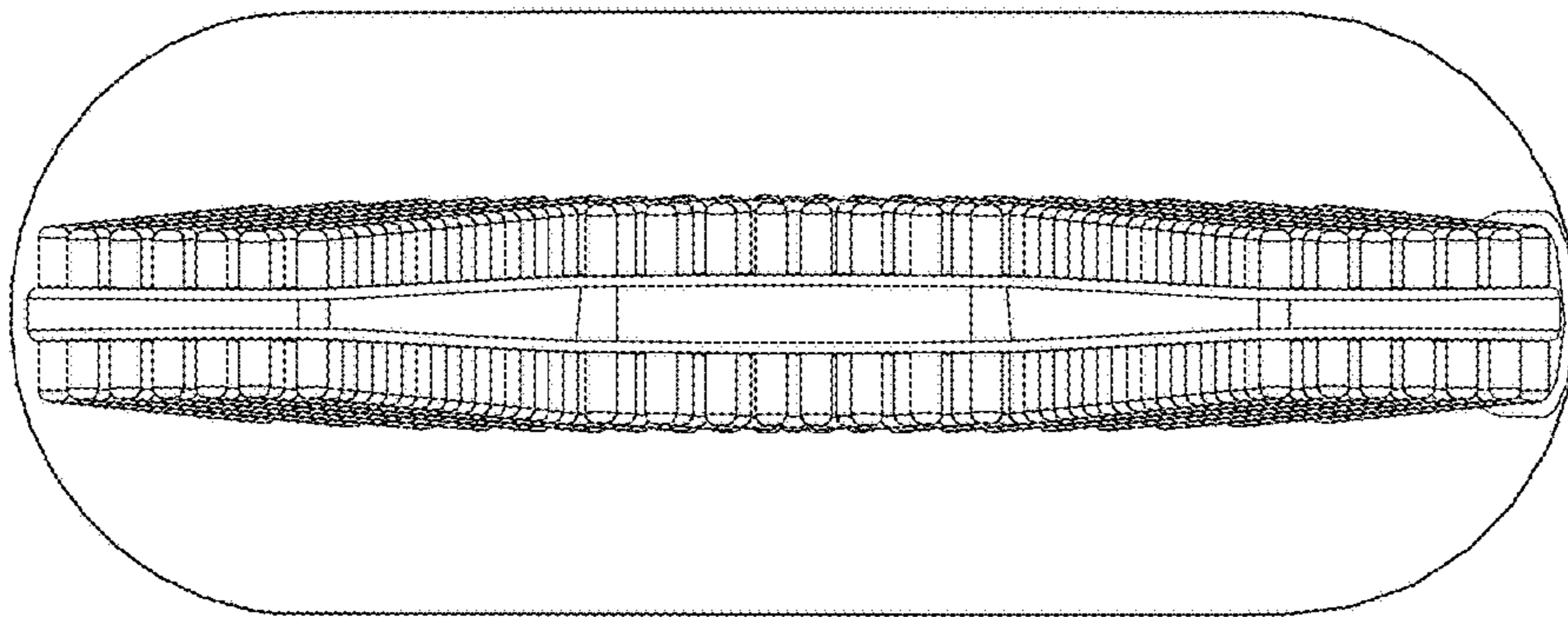


FIGURE 6

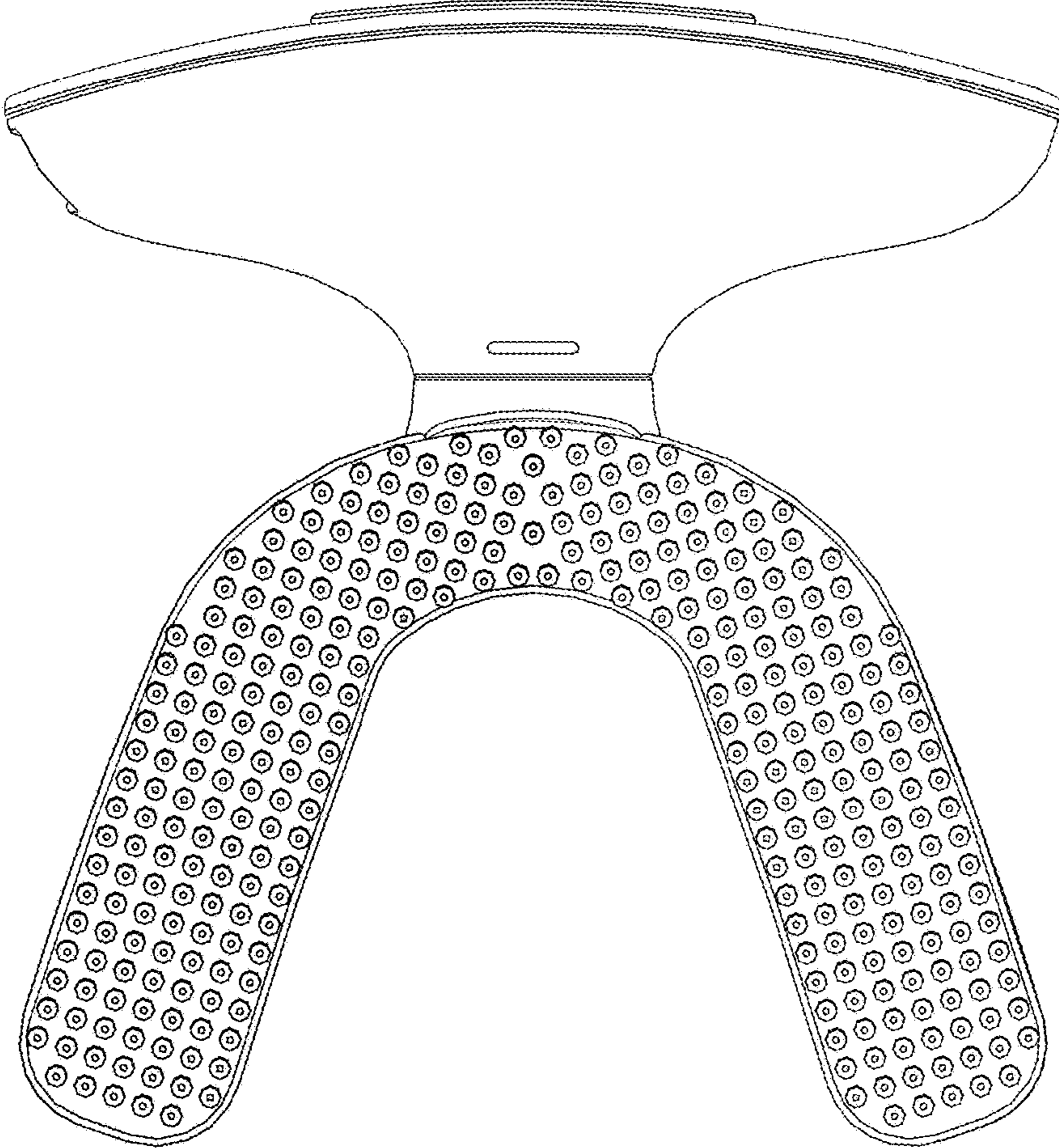


FIGURE 7

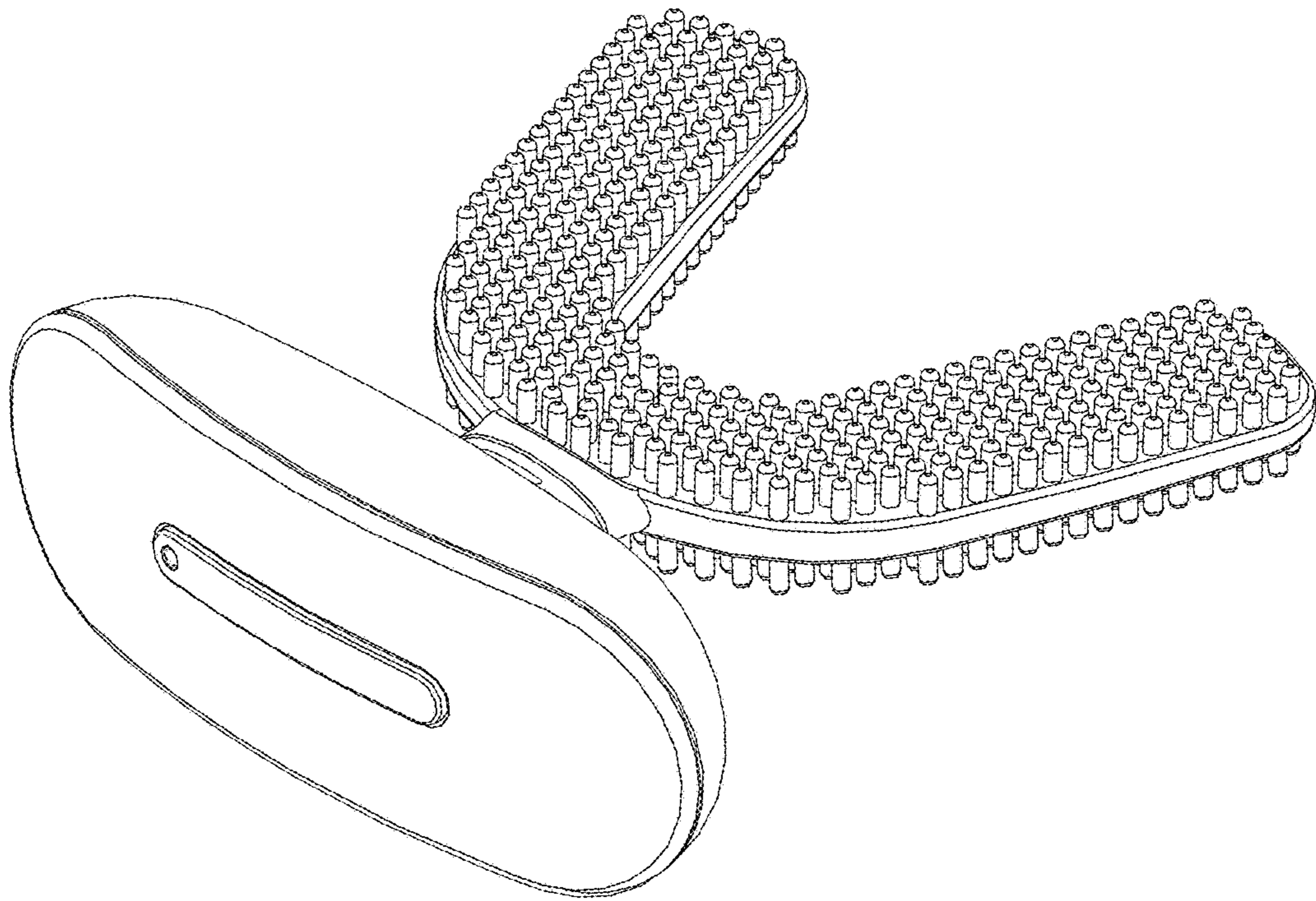


FIGURE 8