



US00D785800S

(12) **United States Design Patent** (10) **Patent No.:** **US D785,800 S**
Park et al. (45) **Date of Patent:** **** May 2, 2017**

(54) **MRI**

(71) Applicant: **Samsung Electronics Co., Ltd.**,
Suwon-si (KR)

(72) Inventors: **Jinsoo Park**, Seoul (KR); **Sungwoo Sul**, Yongin-si (KR)

(73) Assignee: **Samsung Electronics Co., Ltd.**,
Suwon-si (KR)

(**) Term: **15 Years**

(21) Appl. No.: **29/541,573**

(22) Filed: **Oct. 6, 2015**

(30) **Foreign Application Priority Data**

Jul. 21, 2015 (KR) 30-2015-0036765

(51) **LOC (10) Cl.** **24-01**

(52) **U.S. Cl.**

USPC **D24/158**

(58) **Field of Classification Search**

USPC D24/158-161, 185, 186, 107

CPC .. A61B 5/05; A61B 5/055; A61B 6/03; A61B 6/035

See application file for complete search history.

(56) **References Cited**

U.S. PATENT DOCUMENTS

D681,815 S *	5/2013	Ninomiya	D24/158
D701,309 S *	3/2014	Ohmukai	D24/158
D714,450 S *	9/2014	Park	D24/158
D715,945 S *	10/2014	Zhang	D24/159
D738,505 S *	9/2015	Eberler	D24/158
D752,223 S *	3/2016	Park	D24/158

* cited by examiner

Primary Examiner — Anhdao Doan
(74) *Attorney, Agent, or Firm* — NSIP Law

(57) **CLAIM**

We claim the ornamental design for an MRI, as shown and described.

DESCRIPTION

FIG. 1 is a front perspective view of an MRI showing our new design;
FIG. 2 is a front view thereof;
FIG. 3 is a rear view thereof;
FIG. 4 is a left-side view thereof;
FIG. 5 is a right-side view thereof;
FIG. 6 is a top view thereof; and,
FIG. 7 is a bottom view thereof.

The broken lines in the figures show portions of the MRI which form no part of the claimed design.

1 Claim, 7 Drawing Sheets

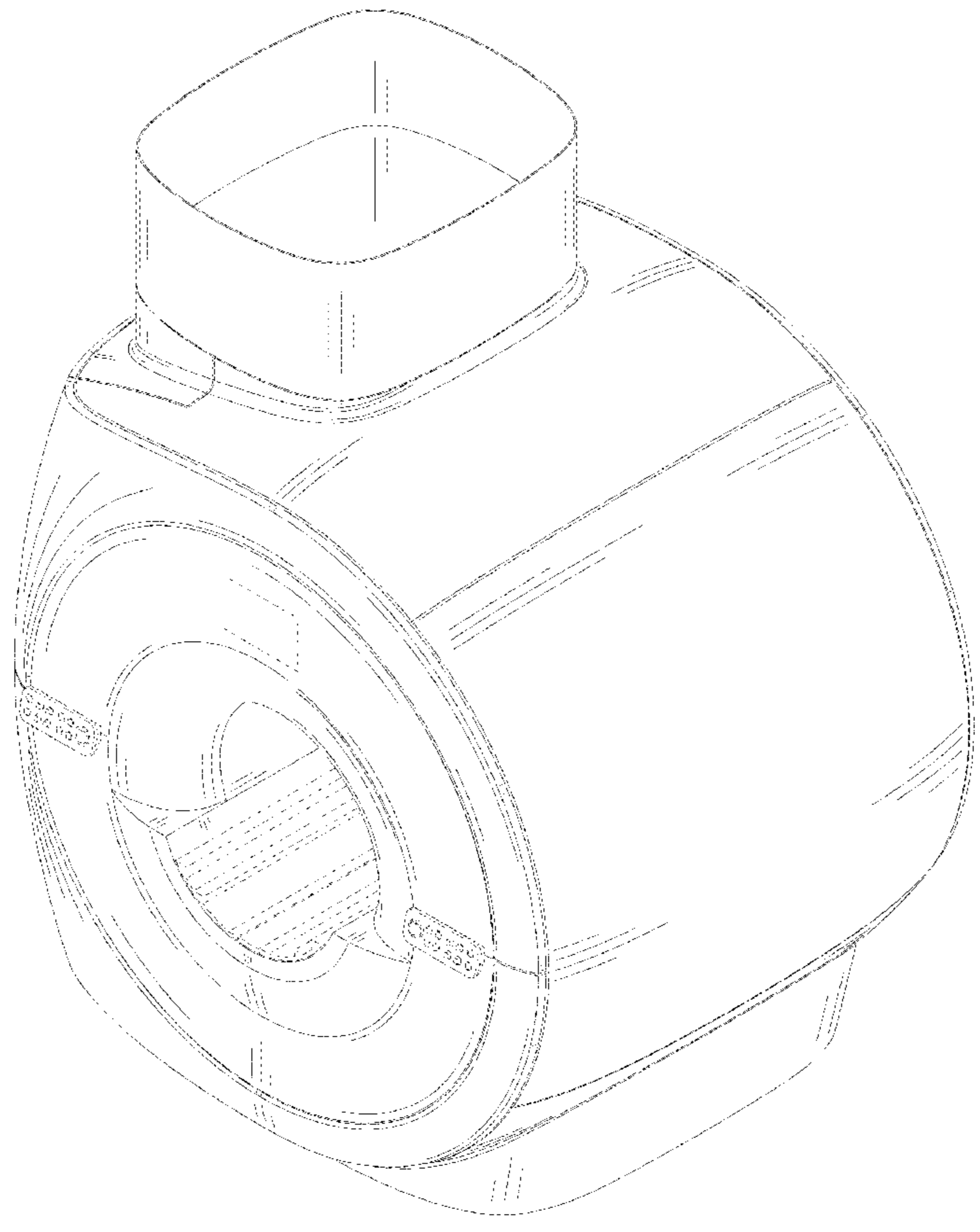


FIG. 1

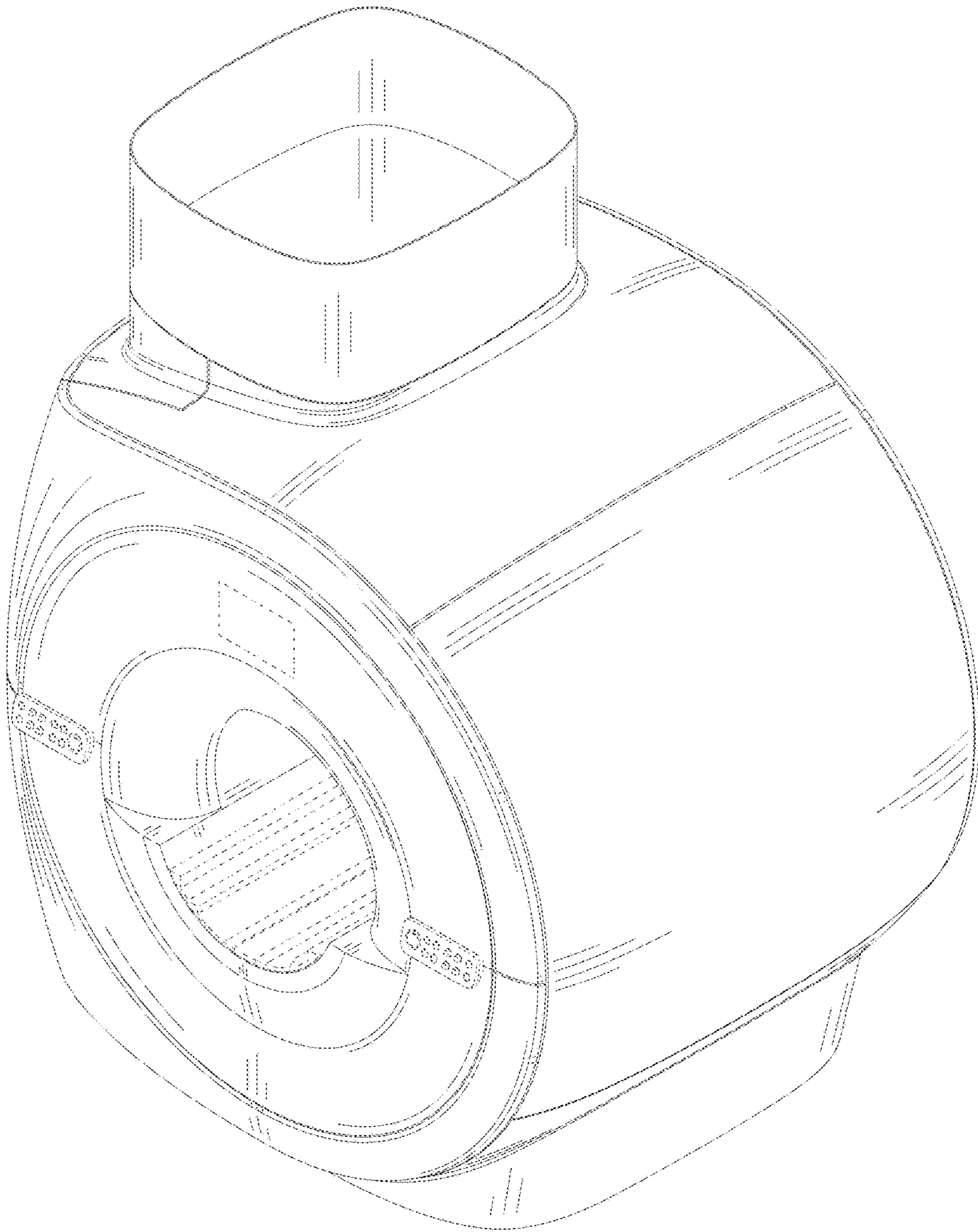


FIG. 2

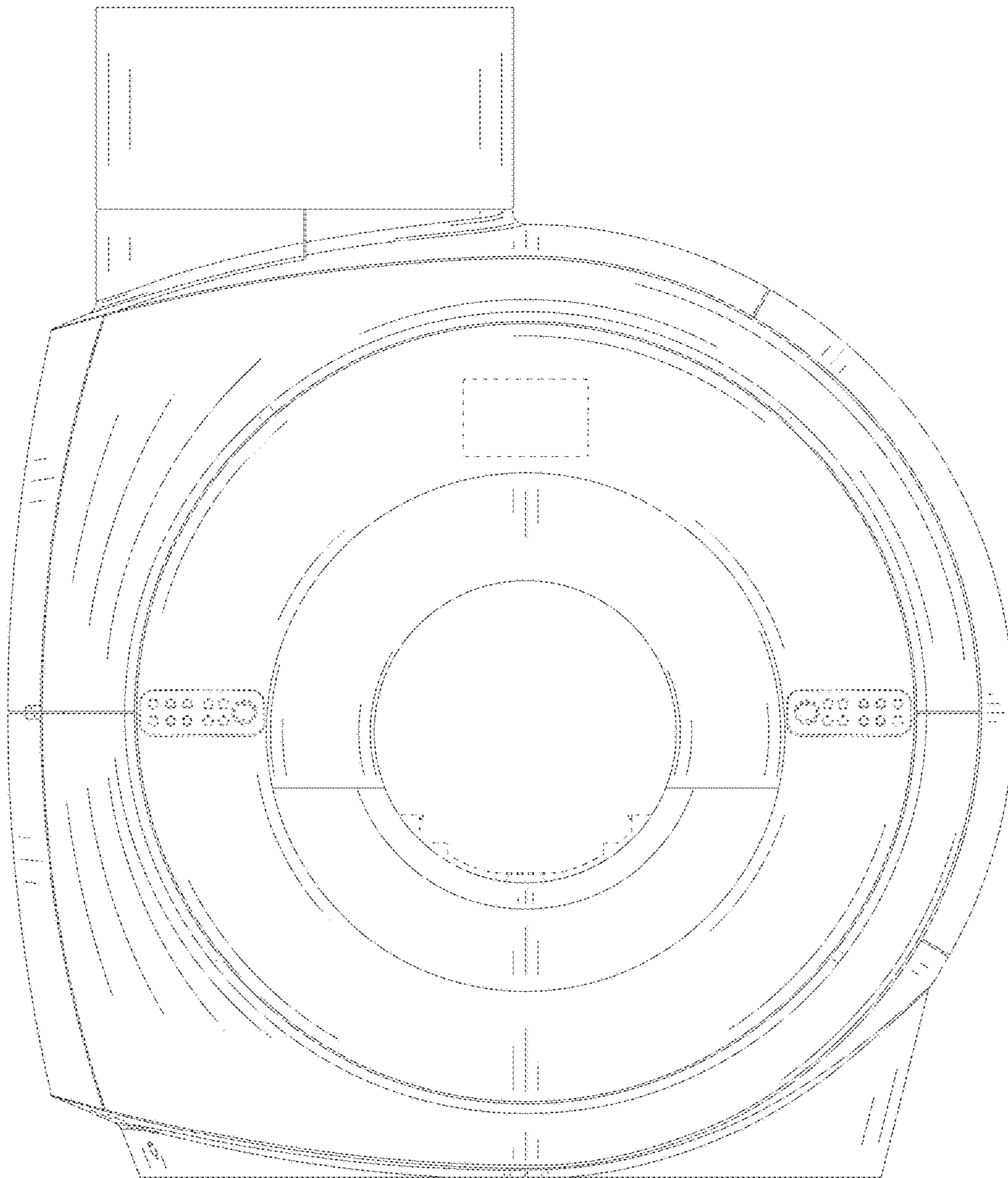


FIG. 3

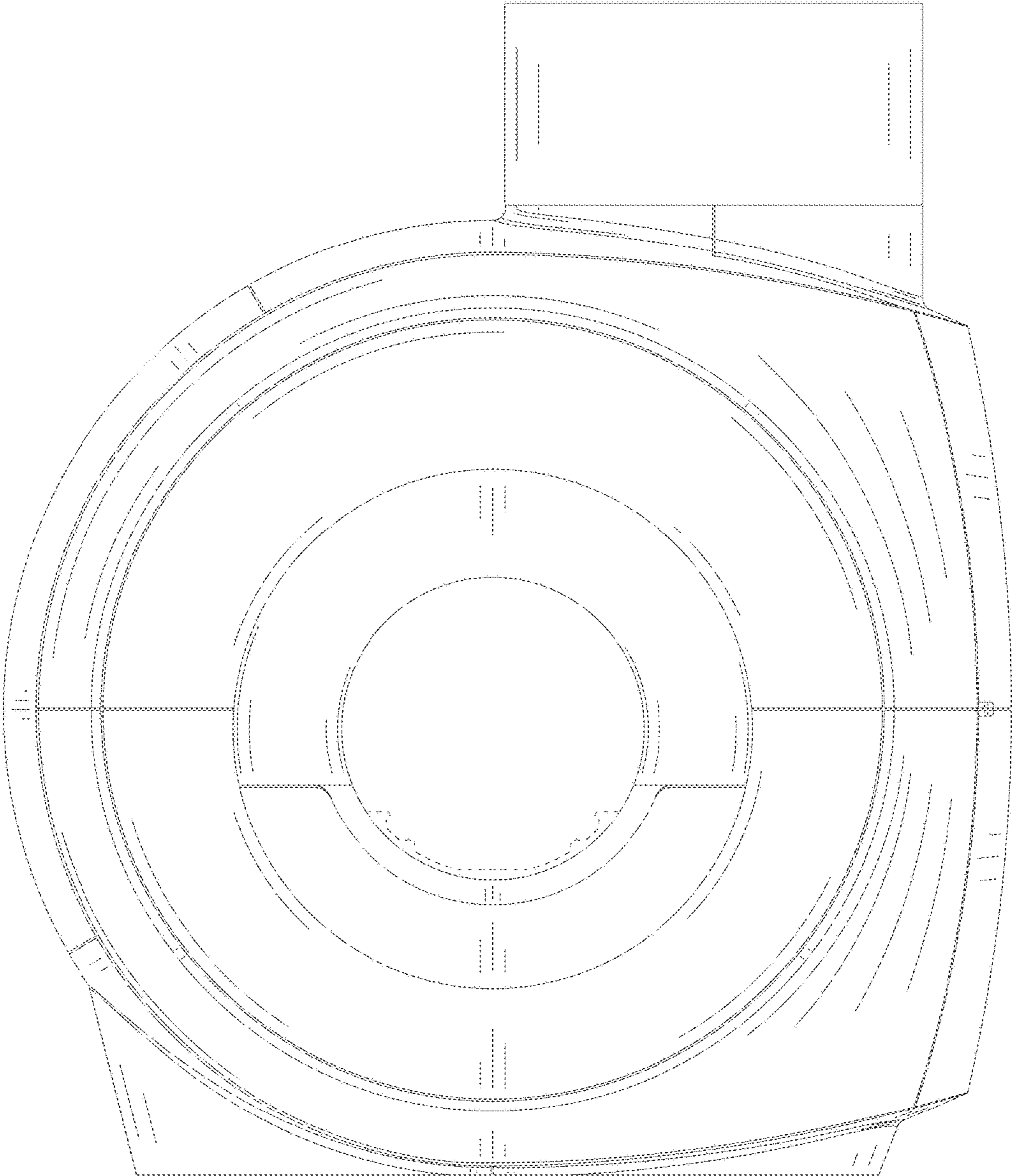


FIG. 4

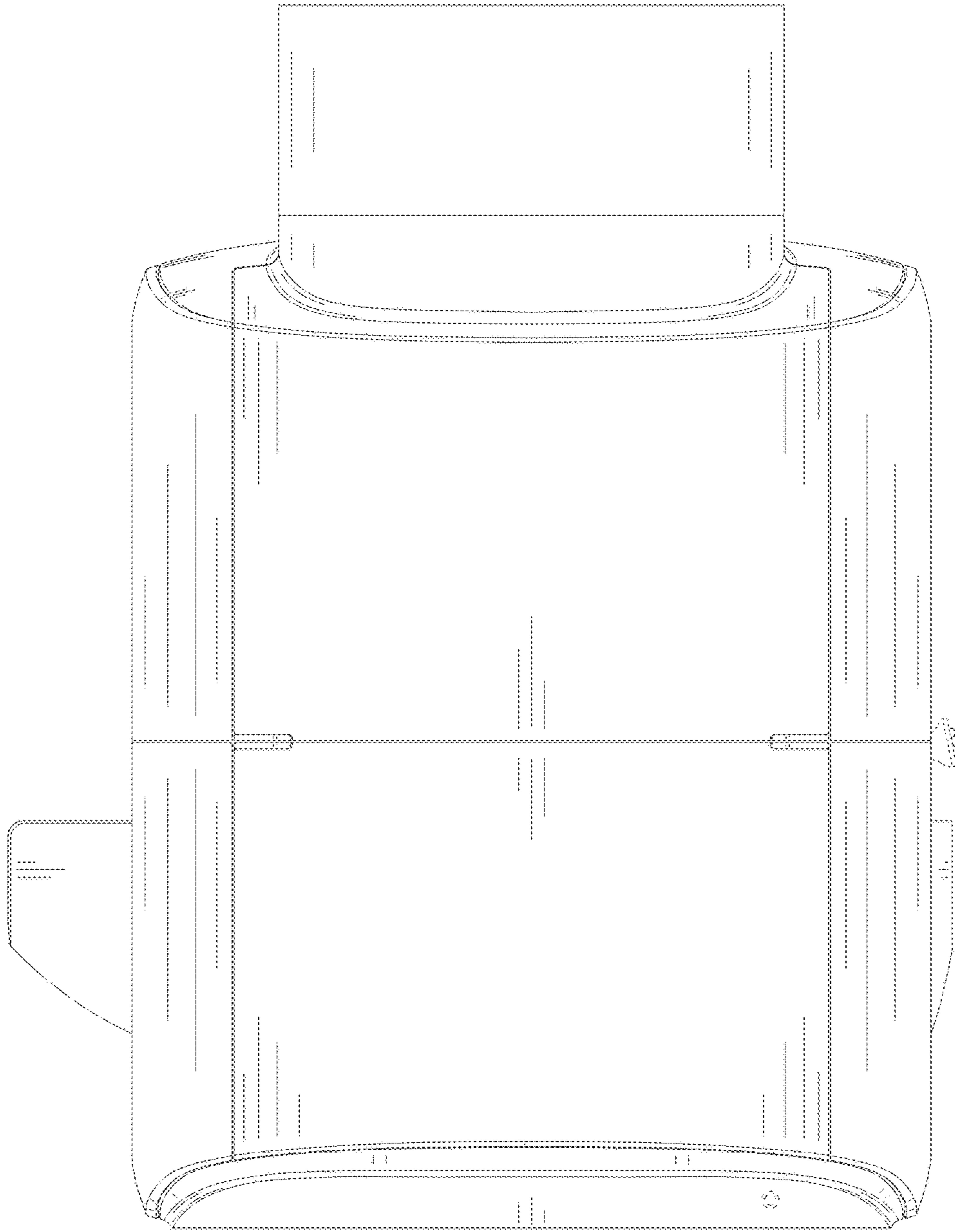


FIG. 5

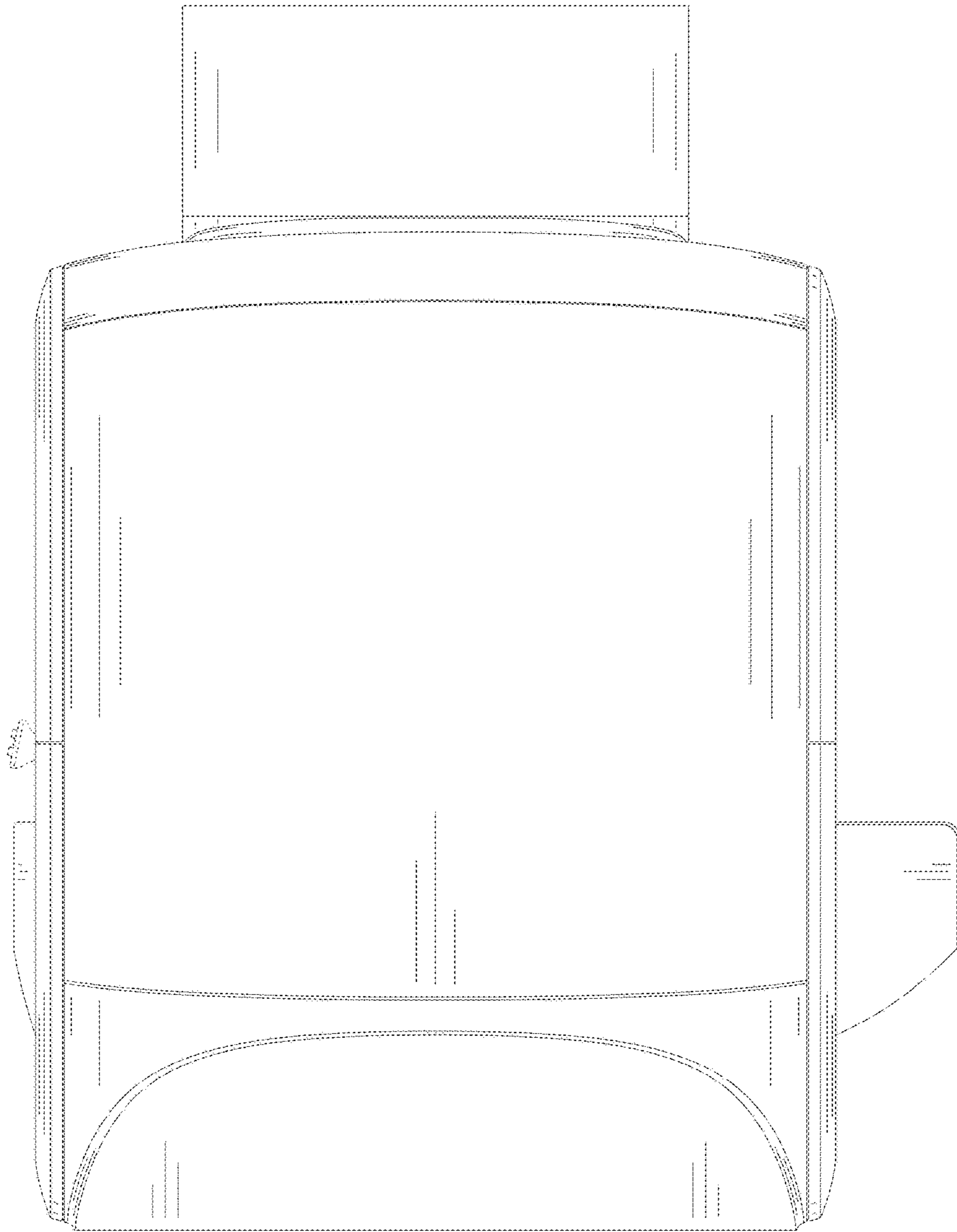


FIG. 6

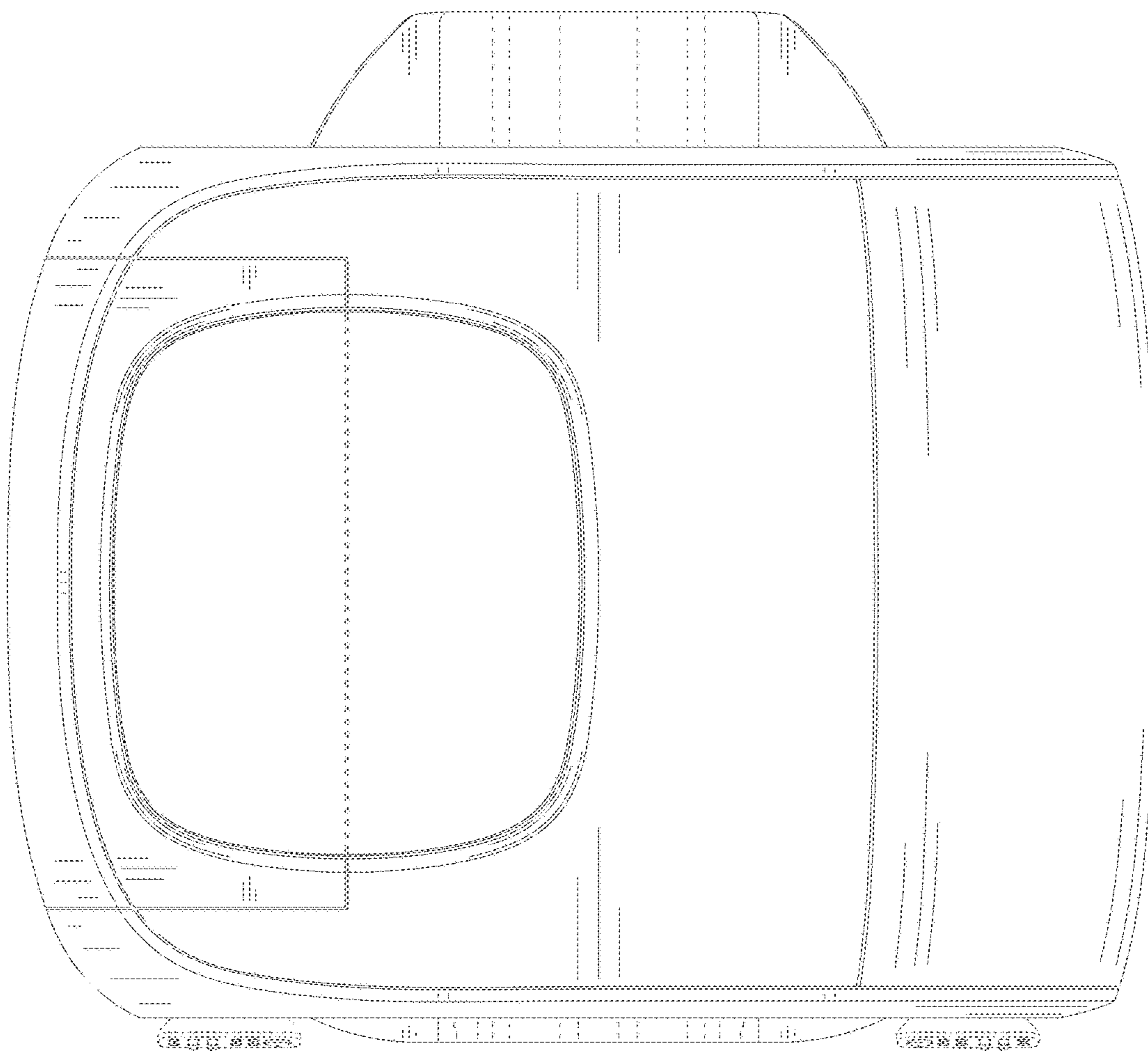


FIG. 7

