



US00D785795S

(12) **United States Design Patent** (10) **Patent No.:** **US D785,795 S**
Amano (45) **Date of Patent:** **** May 2, 2017**

(54) **PUNCTURE NEEDLE DEVICE**

(71) Applicant: **OLYMPUS CORPORATION**, Tokyo (JP)

(72) Inventor: **Hirotooshi Amano**, Hachioji (JP)

(73) Assignee: **OLYMPUS CORPORATION**, Tokyo (JP)

(**) Term: **15 Years**

(21) Appl. No.: **29/542,291**

(22) Filed: **Oct. 13, 2015**

(30) **Foreign Application Priority Data**

May 22, 2015 (JP) 2015-011260

(51) **LOC (10) Cl.** **24-02**

(52) **U.S. Cl.**
USPC **D24/146**

(58) **Field of Classification Search**
USPC D24/114, 133, 144, 145, 146, 147;
606/170, 567, 207, 8, 564, 566;
600/29-31, 37
See application file for complete search history.

(56) **References Cited**

U.S. PATENT DOCUMENTS

5,417,670 A *	5/1995	Bottlik	A61M 25/065
				604/264
D538,936 S *	3/2007	Bohmel	D24/133
D628,293 S *	11/2010	Ruf	D24/146
D707,818 S *	6/2014	Ghannoum	D24/143
D736,923 S *	8/2015	Snow	D24/146
D750,780 S *	3/2016	Ogane	D24/146
D775,729 S *	1/2017	Mujwid	D24/146

* cited by examiner

Primary Examiner — Thomas Johannes

Assistant Examiner — Samantha Q Lawrence

(74) *Attorney, Agent, or Firm* — Oliff PLC

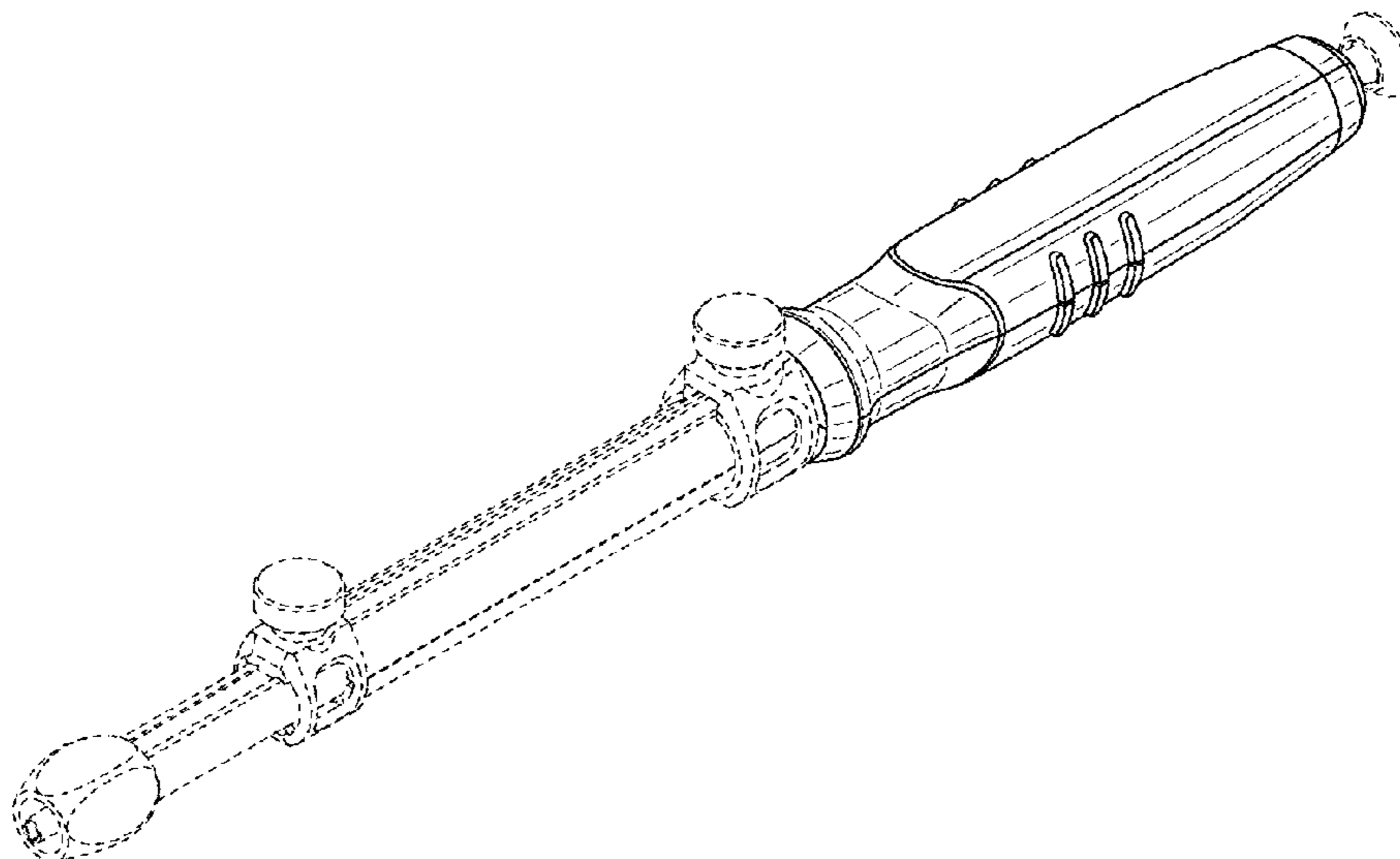
(57) **CLAIM**

The ornamental design for a puncture needle device, as shown and described.

DESCRIPTION

FIG. 1 is a front, top and left side perspective view of a puncture needle device, showing my new design;
 FIG. 2 is a front view thereof;
 FIG. 3 is a rear view thereof;
 FIG. 4 is a top view thereof;
 FIG. 5 is a bottom thereof;
 FIG. 6 is a left side view thereof;
 FIG. 7 is a right side view thereof;
 FIG. 8 is an enlarged right side view thereof;
 FIG. 9 is an enlarged cross-section view thereof taken along line 9-9 in FIG. 2;
 FIG. 10 is an enlarged cross-section view thereof taken along line 10-10 in FIG. 2;
 FIG. 11 an enlarged cross-section view thereof taken along line 11-11 in FIG. 4;
 FIG. 12 is an enlarged perspective view thereof;
 FIG. 13 is an enlarged front view thereof, the opposite side being a mirror image thereof;
 FIG. 14 is an enlarged top view thereof, the opposite side being a mirror image thereof;
 FIG. 15 is an enlarged left side perspective view thereof;
 and,
 FIG. 16 is an enlarged right side perspective view thereof.
 The broken lines shown in FIGS. 1-12 and 15-16 illustrate portions of the puncture needle device that form no part of the claimed design.

1 Claim, 8 Drawing Sheets



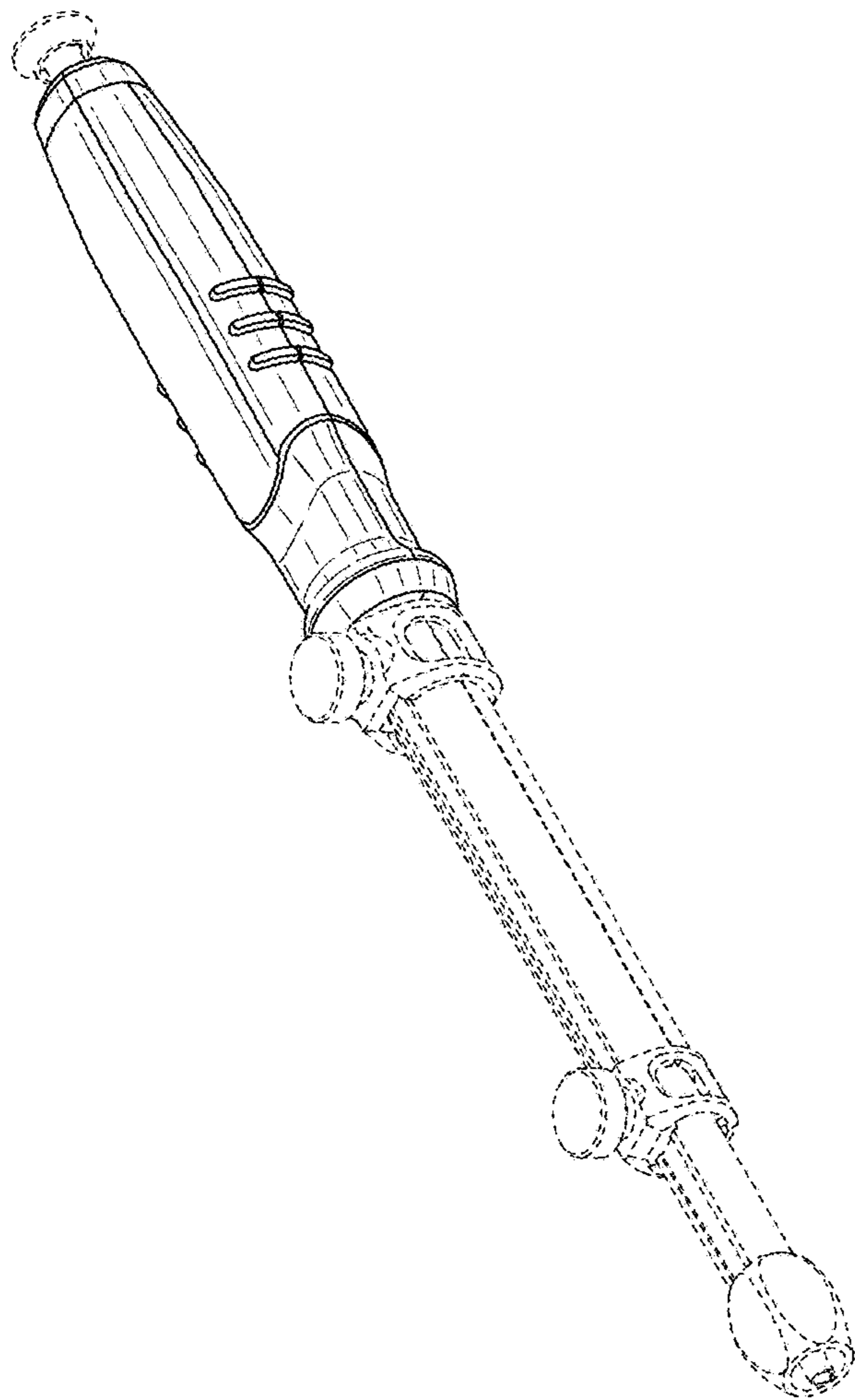


Fig. 1

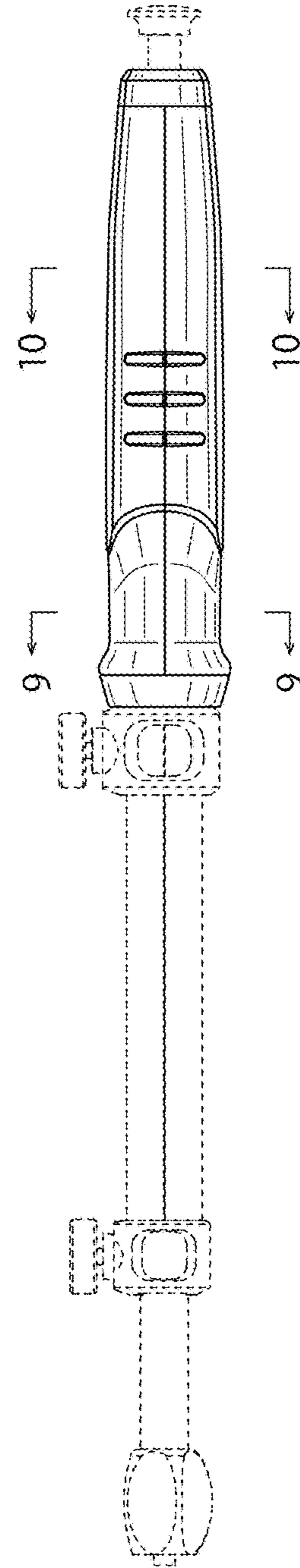


Fig. 2

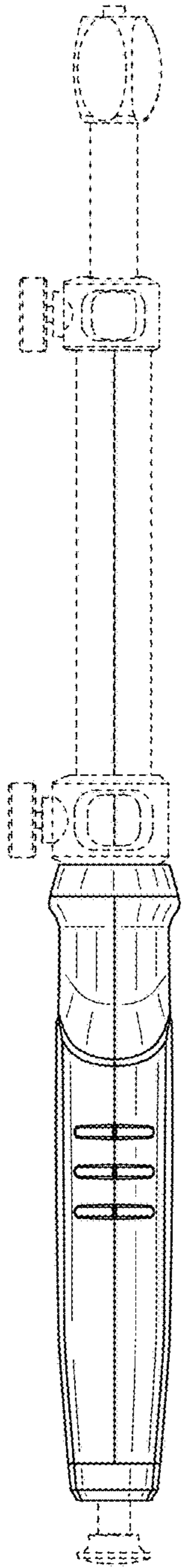


Fig. 3

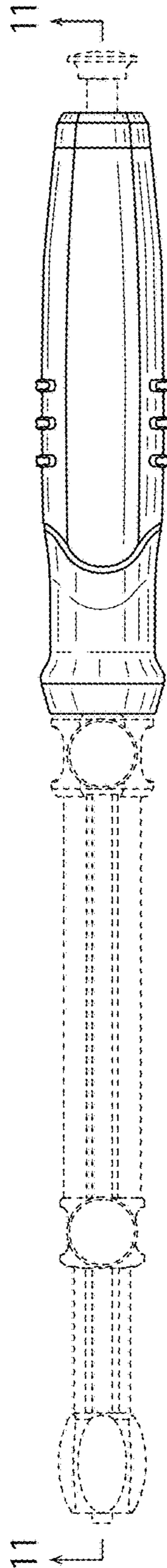


Fig. 4

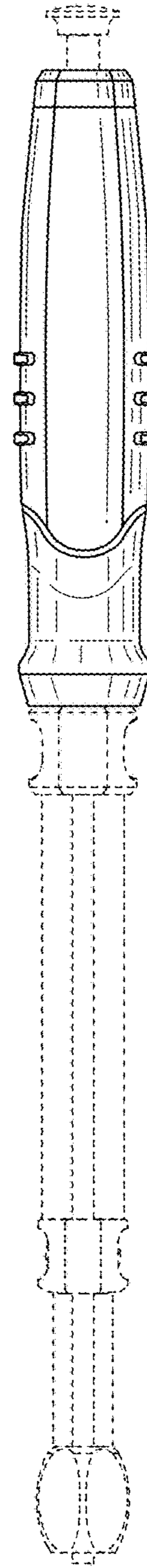


Fig. 5

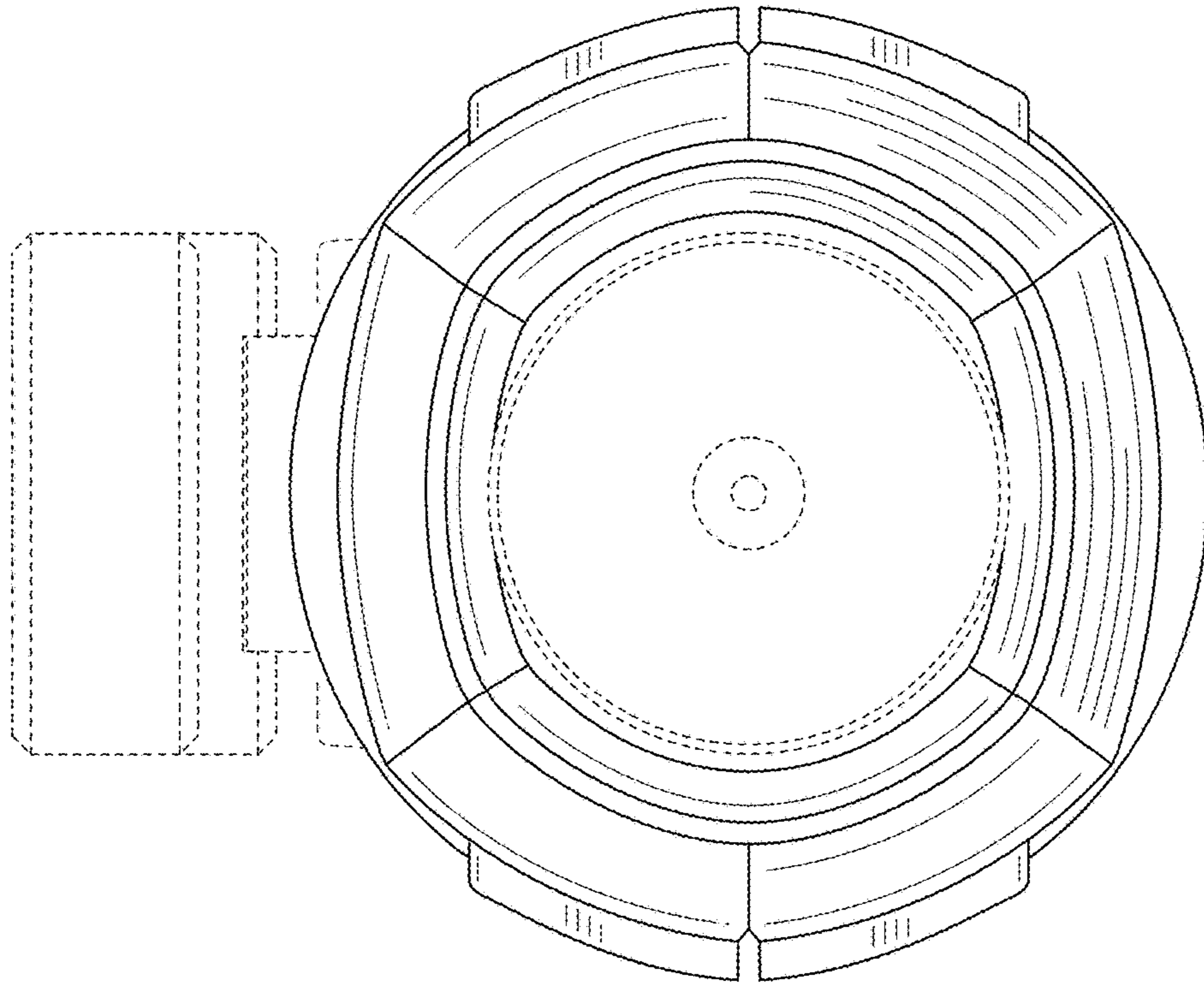


Fig. 8

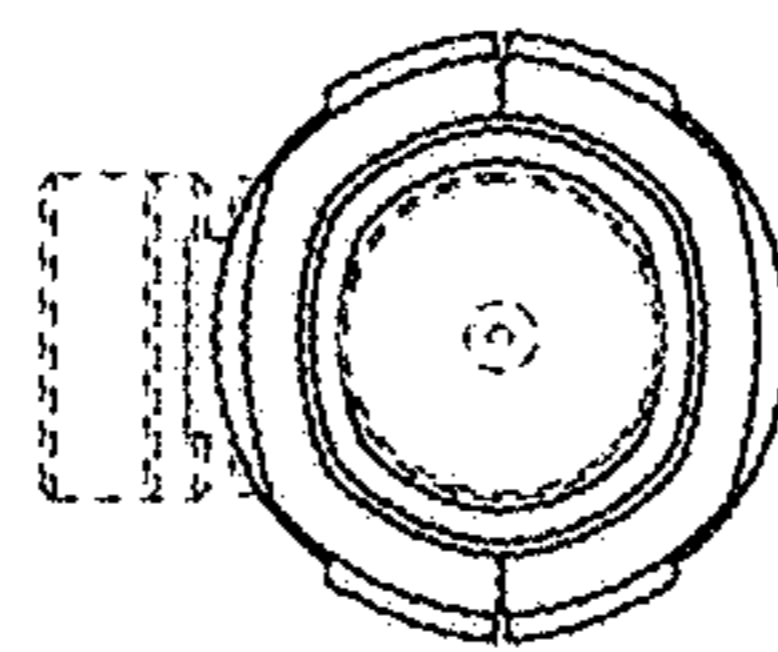


Fig. 7

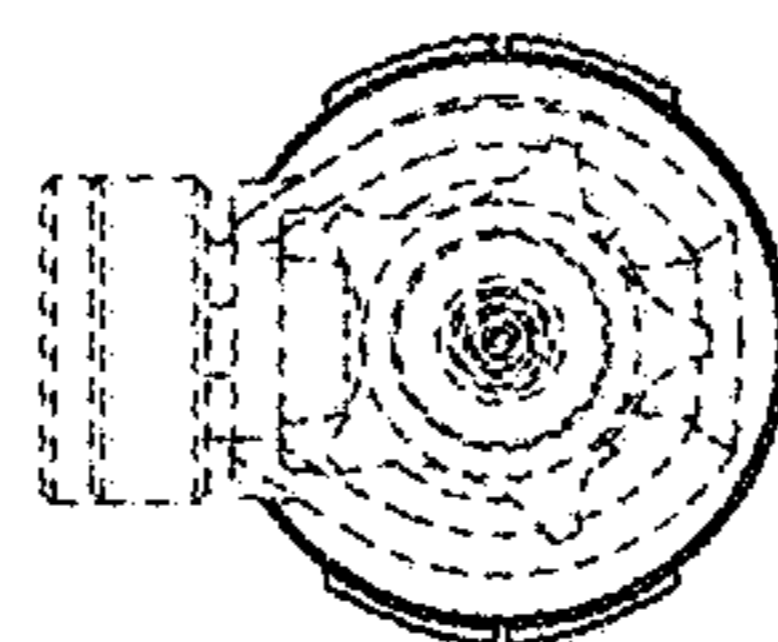


Fig. 6

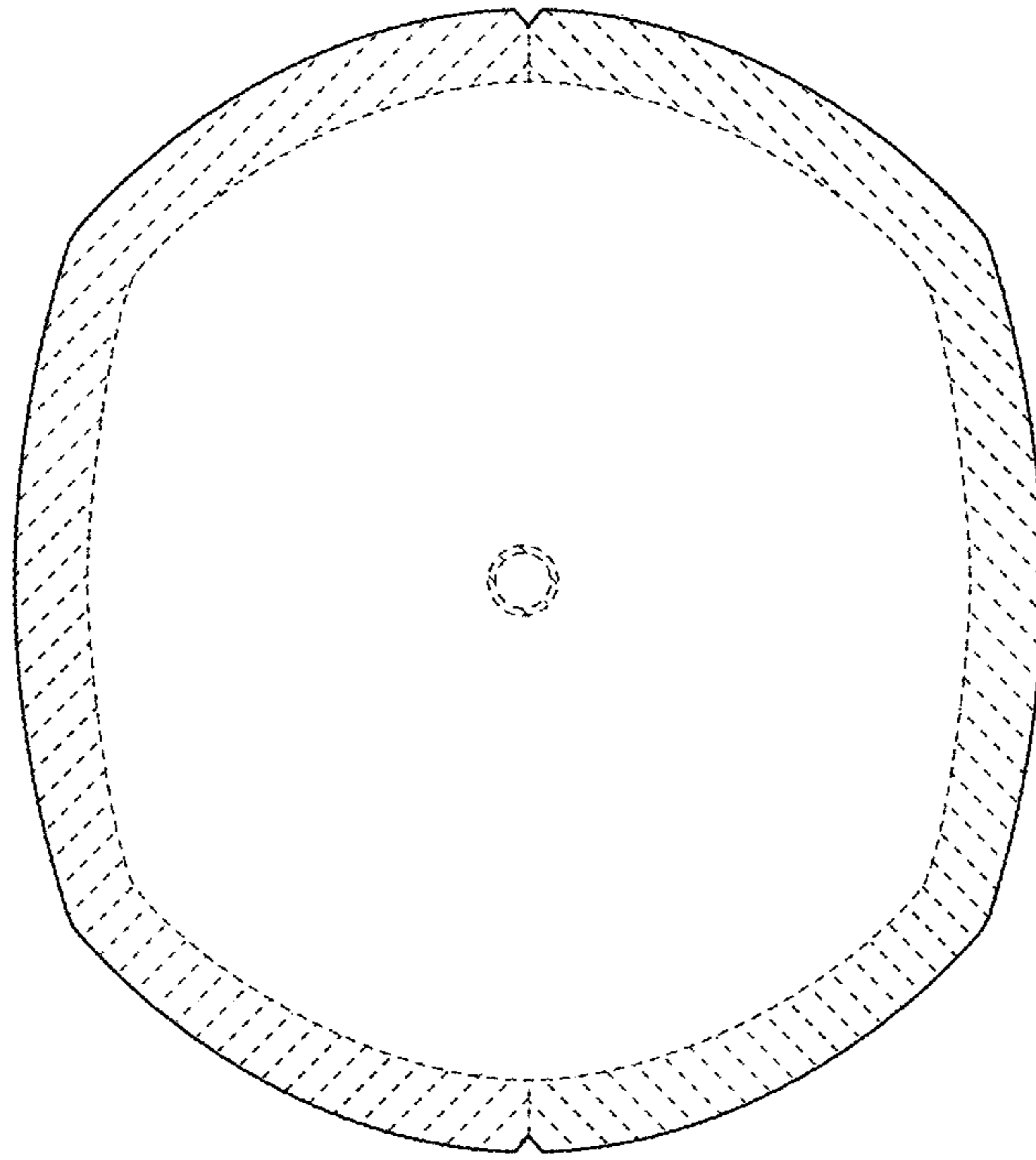


Fig. 10

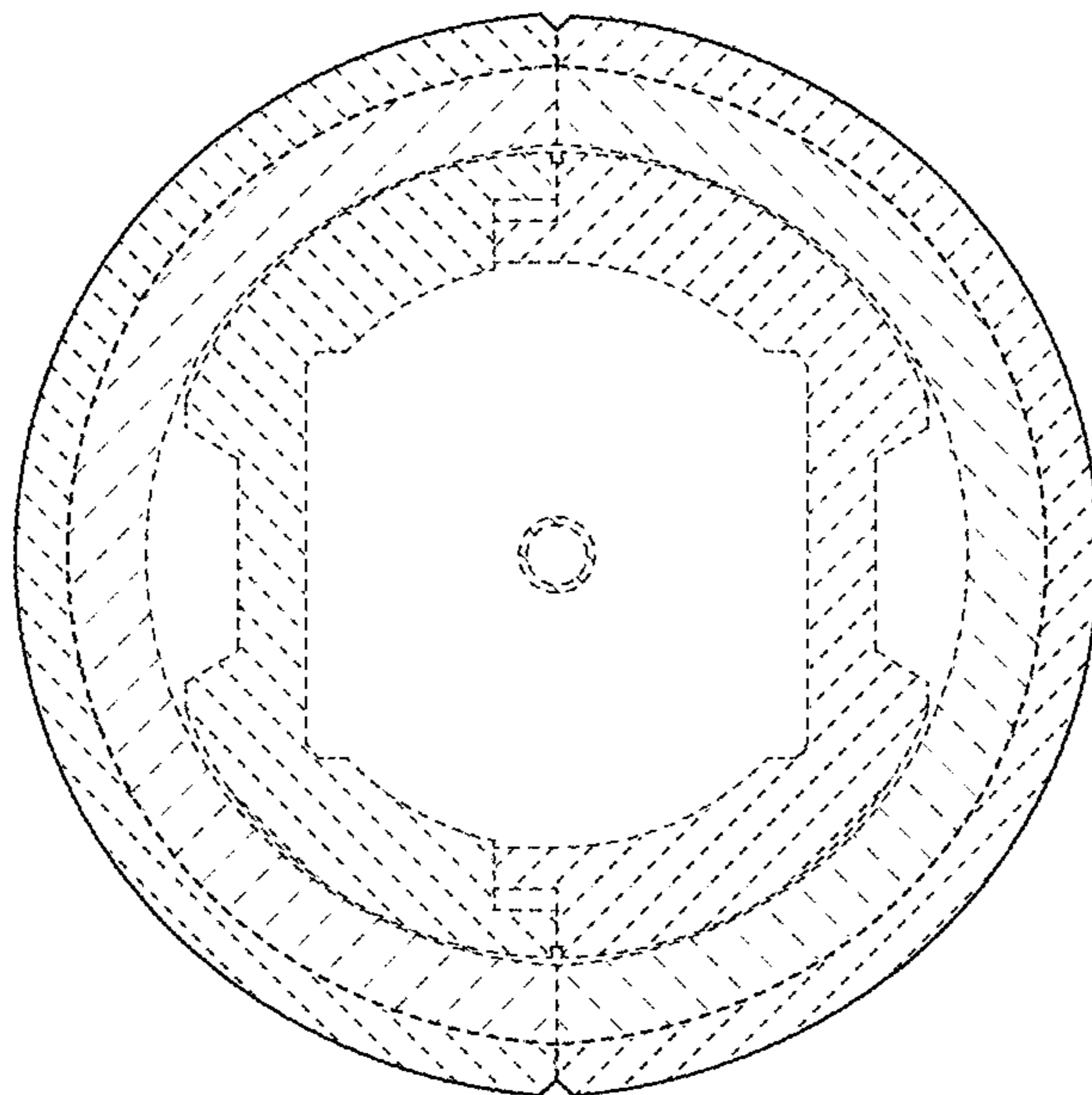


Fig. 9

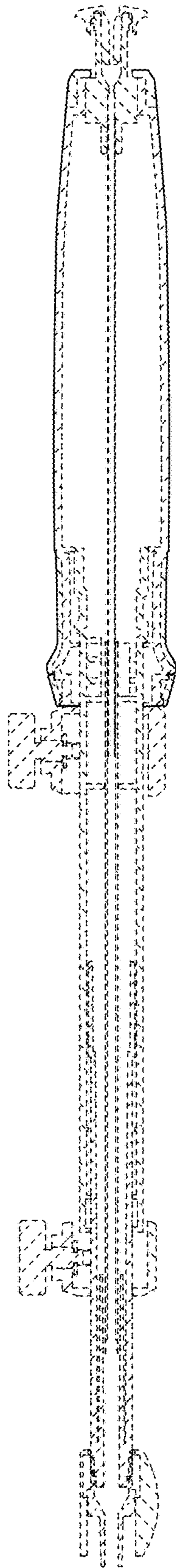


Fig. 11

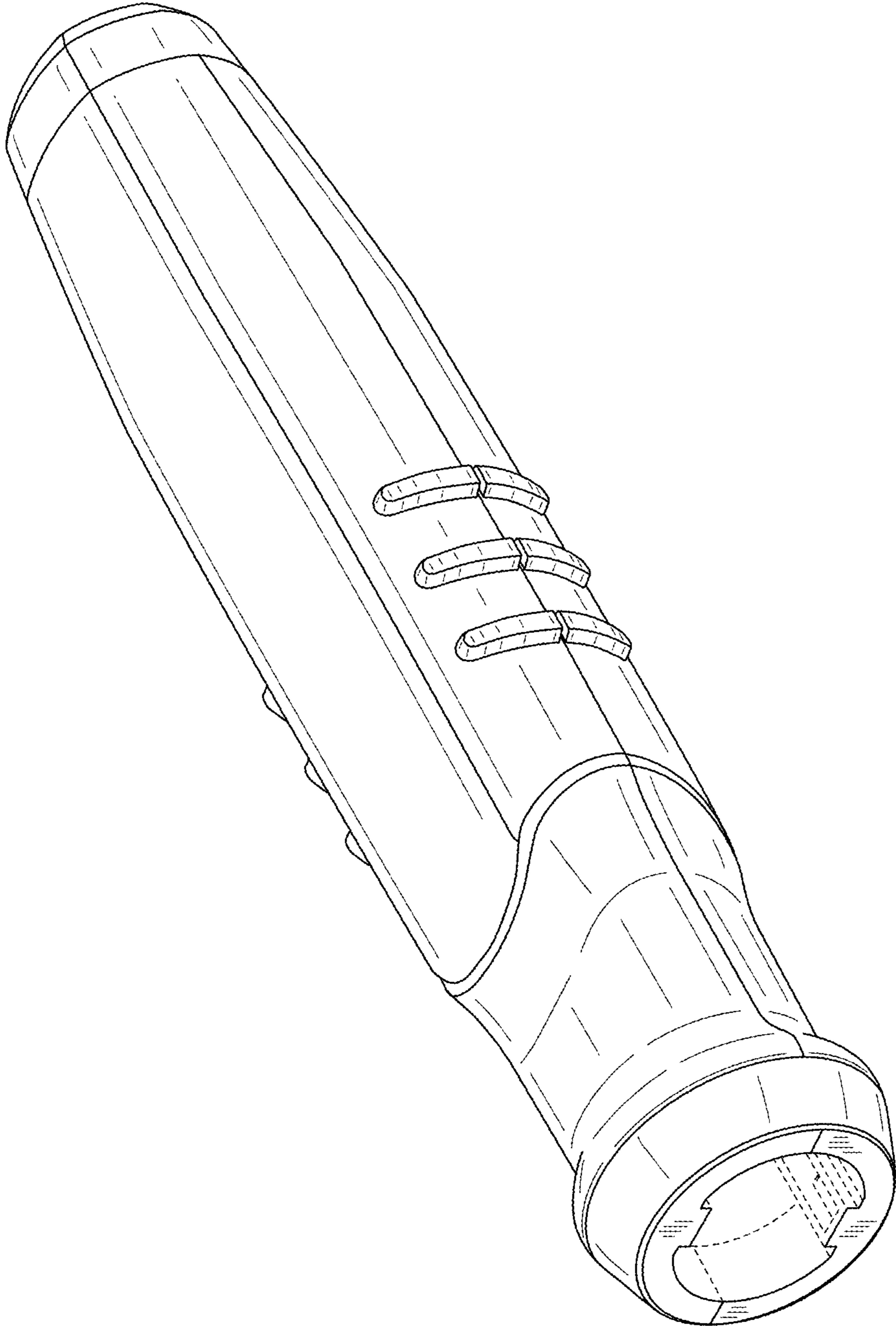


Fig. 12

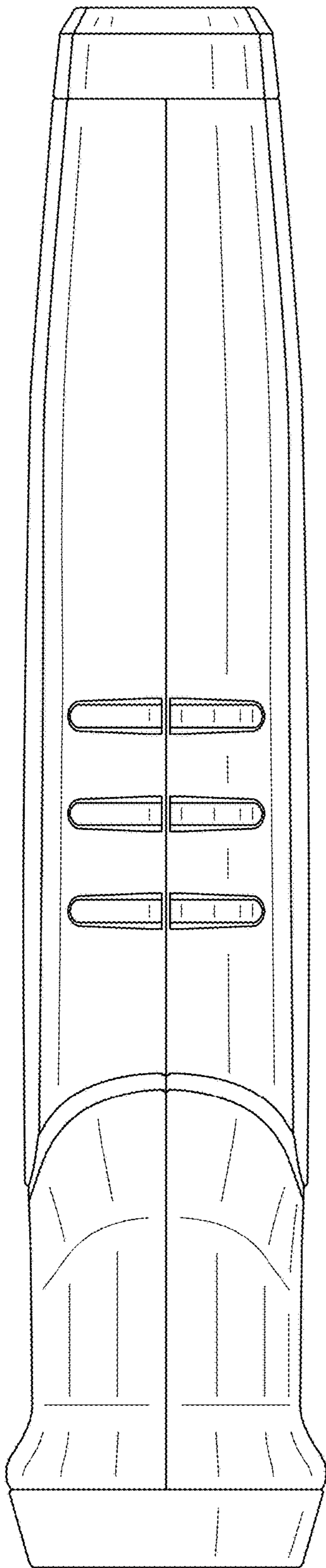


Fig. 13

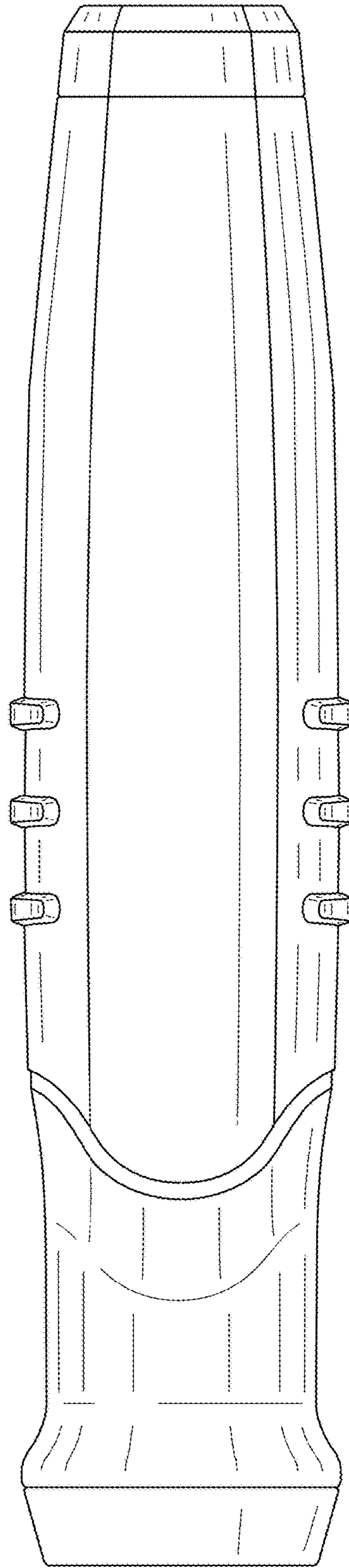


Fig. 14

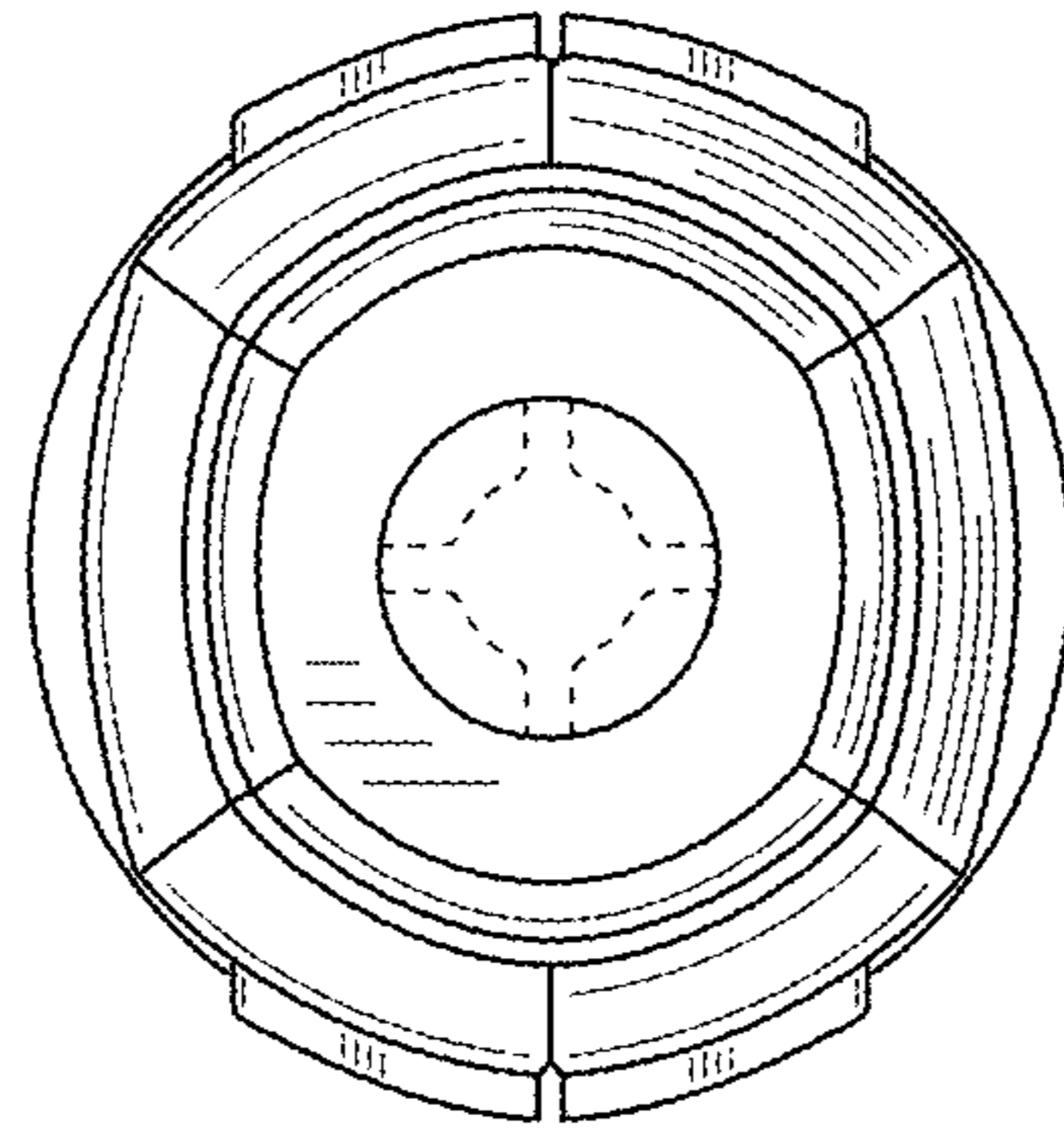


Fig. 16

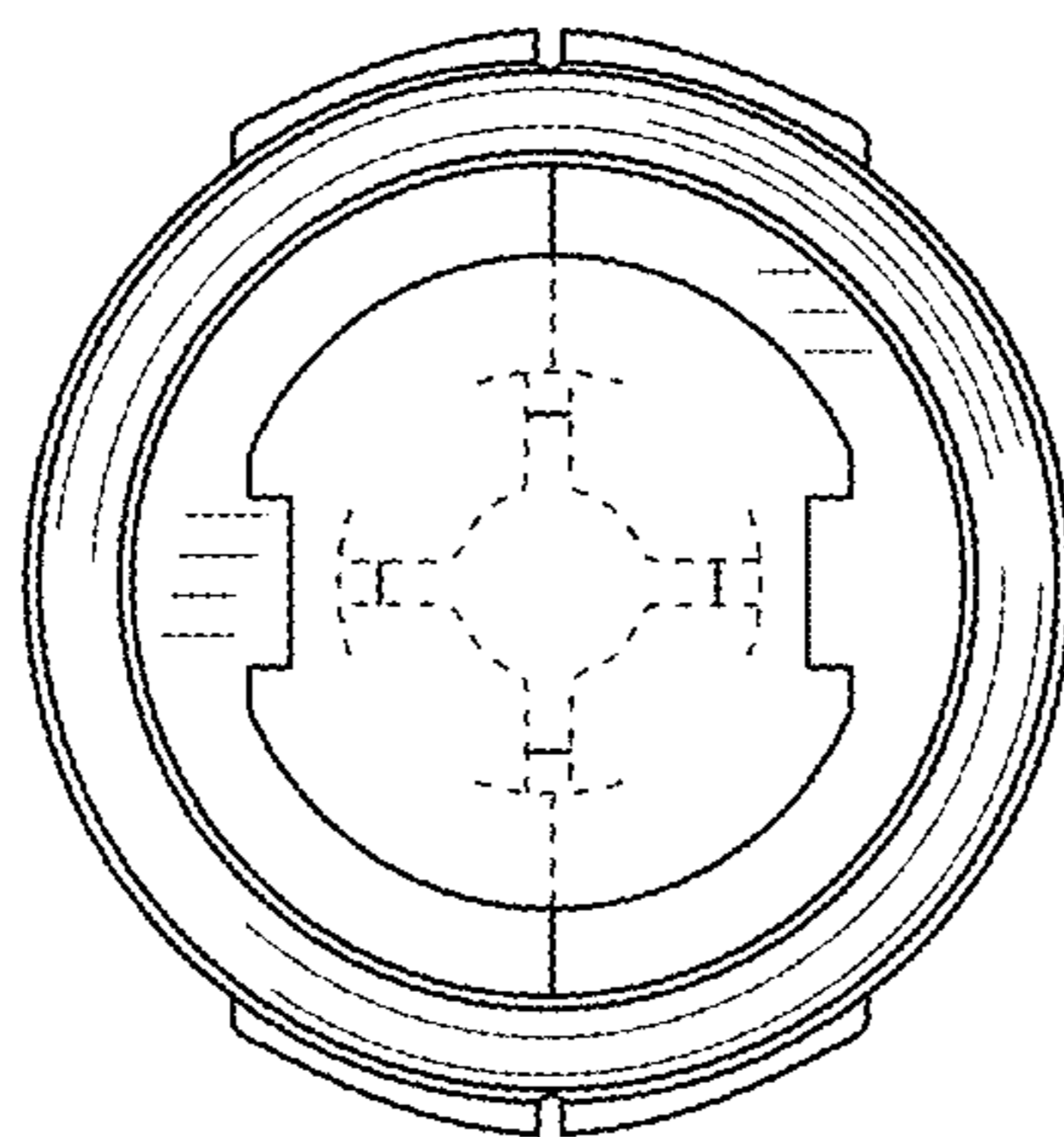


Fig. 15