



US00D785794S

(12) **United States Design Patent** (10) **Patent No.:** **US D785,794 S**  
**Magno, Jr.** (45) **Date of Patent:** **\*\* May 2, 2017**

(54) **ADAPTER FOR A SURGICAL DEVICE**  
(71) Applicant: **Gyrus ACMI, Inc.**, Southborough, MA (US)  
(72) Inventor: **Joey Magno, Jr.**, Cordova, TN (US)  
(73) Assignee: **Gyrus ACMI, Inc.**, Southborough, MA (US)

(\*\*) Term: **14 Years**

(21) Appl. No.: **29/512,879**

(22) Filed: **Dec. 23, 2014**

(51) **LOC (10) Cl.** ..... **24-02**

(52) **U.S. Cl.**  
USPC ..... **D24/146**

(58) **Field of Classification Search**  
USPC ..... D24/146, 147, 133, 130, 113, 114;  
600/385, 573, 583; 606/167, 172,  
606/181-185; 210/453  
CPC .. A61B 5/00; A61B 5/15; A61B 17/32; A61B  
17/32053  
See application file for complete search history.

(56) **References Cited**

**U.S. PATENT DOCUMENTS**

|           |    |   |         |                 |       |         |
|-----------|----|---|---------|-----------------|-------|---------|
| D428,150  | S  | * | 7/2000  | Ruf             | ..... | D24/146 |
| 6,332,891 | B1 |   | 12/2001 | Himes           |       |         |
| 6,434,507 | B1 |   | 8/2002  | Clayton et al.  |       |         |
| D533,274  | S  | * | 12/2006 | Visconti        | ..... | D24/133 |
| 7,247,161 | B2 |   | 7/2007  | Johnston et al. |       |         |
| D659,828  | S  | * | 5/2012  | Horning         | ..... | D24/146 |
| D662,206  | S  | * | 6/2012  | Way             | ..... | D24/147 |
| D665,909  | S  | * | 8/2012  | Dodd            | ..... | D24/146 |
| D671,644  | S  | * | 11/2012 | Dodd            | ..... | D24/146 |
| 8,504,139 | B2 |   | 8/2013  | Jacobsen et al. |       |         |
| D690,811  | S  | * | 10/2013 | Horning         | ..... | D24/146 |
| D691,265  | S  | * | 10/2013 | O'Leary         | ..... | D24/146 |
| D692,134  | S  | * | 10/2013 | Lee-Sepsick     | ..... | D24/146 |
| D695,404  | S  | * | 12/2013 | Horning         | ..... | D24/146 |

|              |    |   |         |                    |       |         |
|--------------|----|---|---------|--------------------|-------|---------|
| D699,347     | S  | * | 2/2014  | Dodd               | ..... | D24/146 |
| D700,966     | S  | * | 3/2014  | O'Leary            | ..... | D24/146 |
| D700,967     | S  | * | 3/2014  | O'Leary            | ..... | D24/146 |
| D704,332     | S  |   | 5/2014  | Casey et al.       |       |         |
| D736,374     | S  | * | 8/2015  | Murakami           | ..... | D24/146 |
| D736,375     | S  | * | 8/2015  | Murakami           | ..... | D24/146 |
| D744,650     | S  | * | 12/2015 | Catron             | ..... | D24/146 |
| D745,966     | S  | * | 12/2015 | Piorek             | ..... | D24/146 |
| 2001/0034530 | A1 |   | 10/2001 | Malackowski et al. |       |         |
| 2007/0208252 | A1 |   | 9/2007  | Makower            |       |         |
| 2012/0245456 | A1 |   | 9/2012  | Kim et al.         |       |         |

\* cited by examiner

*Primary Examiner* — Ian Simmons

*Assistant Examiner* — Carissa C Fitts

(74) *Attorney, Agent, or Firm* — Vivacqua Law, PLLC;  
Gerald P. Kazanjian

(57) **CLAIM**

The ornamental design for an adapter for a surgical device, as shown and described.

**DESCRIPTION**

FIG. 1 is a front, side perspective view of an adapter shown with an exemplary surgical device according to my new design;

FIG. 2 is a rear, side perspective view of the adapter shown with an exemplary surgical device;

FIG. 3 is a front, side perspective view of the adapter;

FIG. 4 is a rear, side perspective view of the adapter;

FIG. 5 is a rear view of the adapter;

FIG. 6 is a front view of the adapter

FIG. 7 is a top view of the adapter;

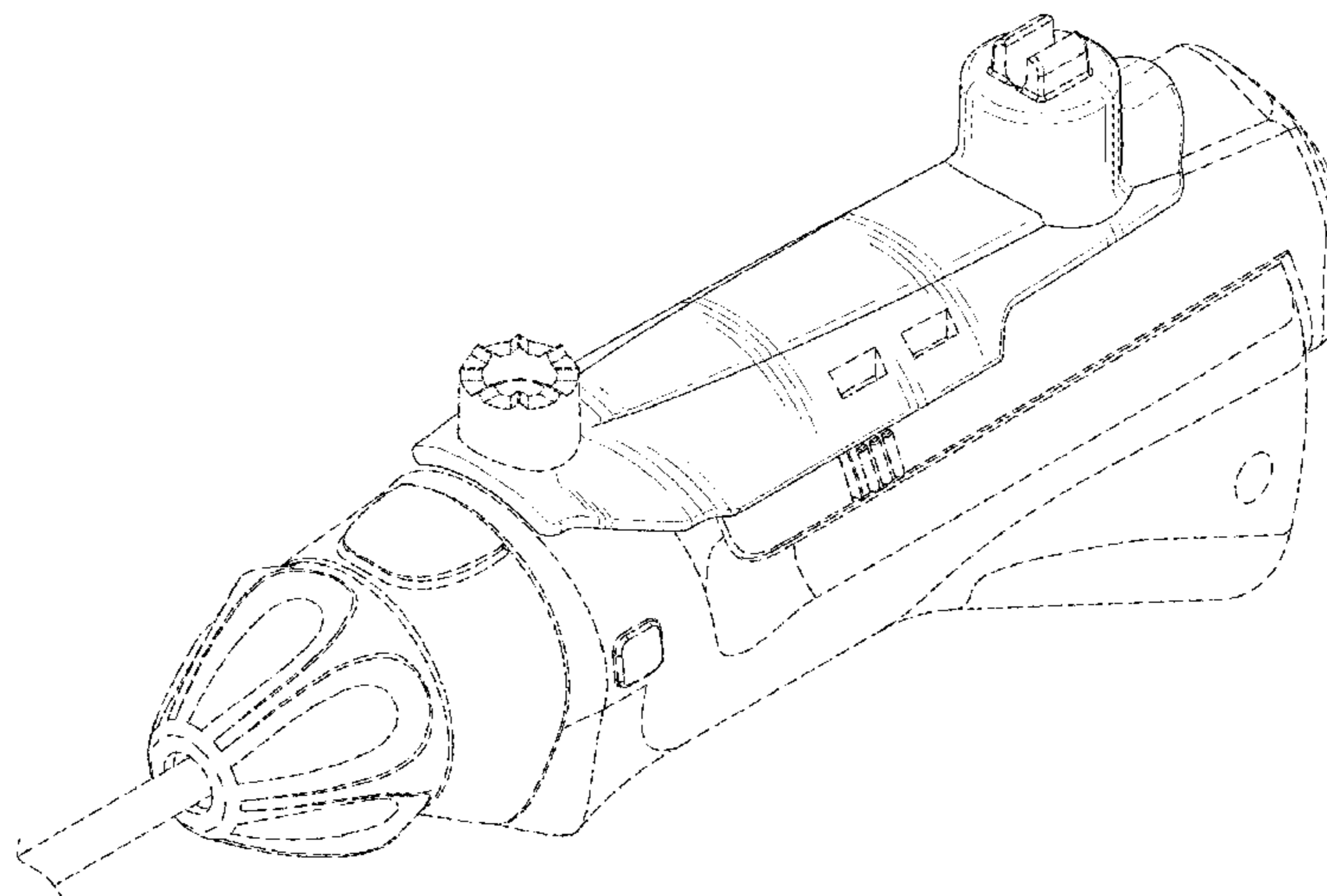
FIG. 8 is a bottom view of the adapter;

FIG. 9 is a left side view of the adapter; and,

FIG. 10 is a right side view of the adapter.

The broken lines illustrating environmental structure form no part of the claimed design. The broken lines of the article represent unclaimed portions of the article and form no part of the claimed design.

**1 Claim, 6 Drawing Sheets**



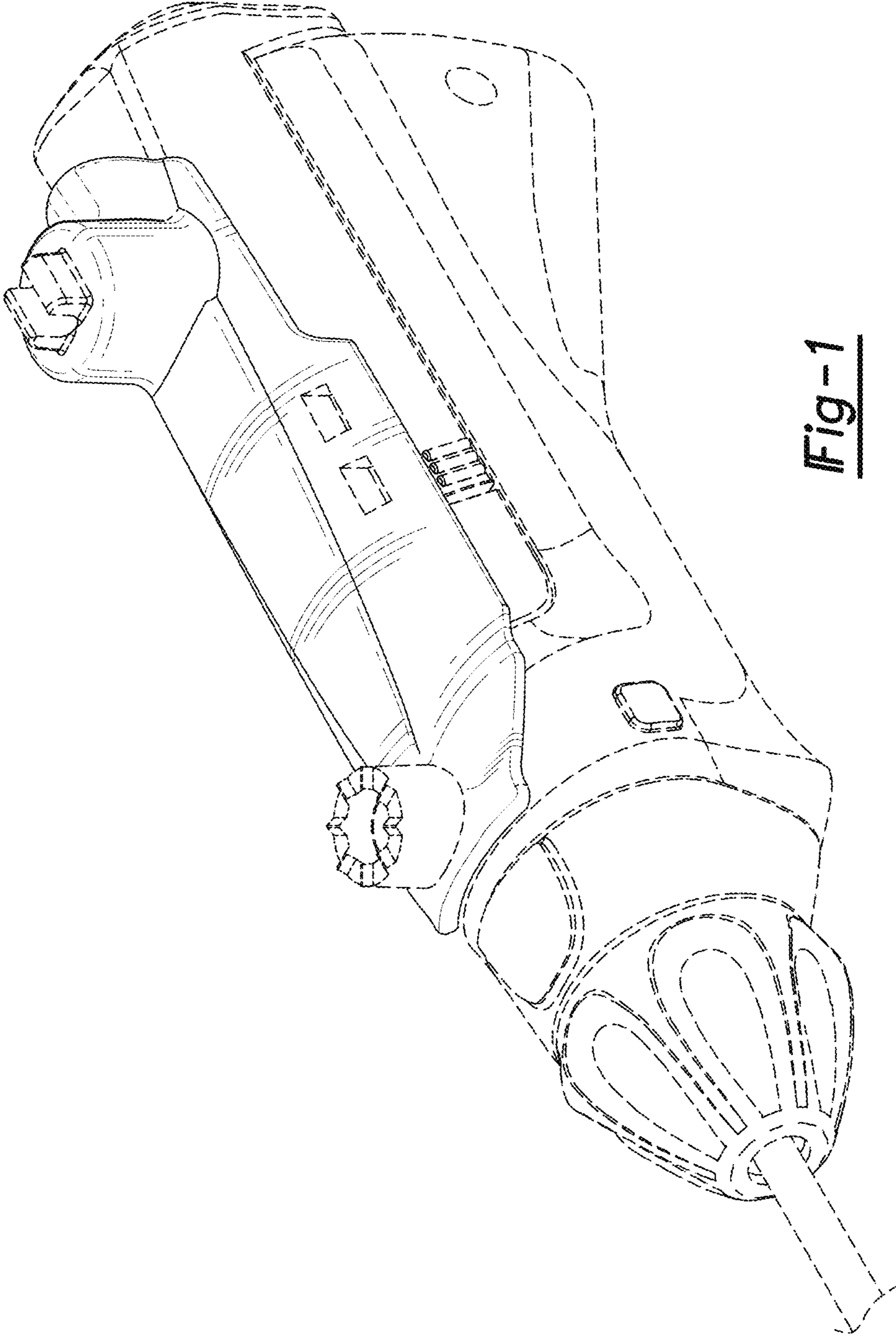


Fig-1

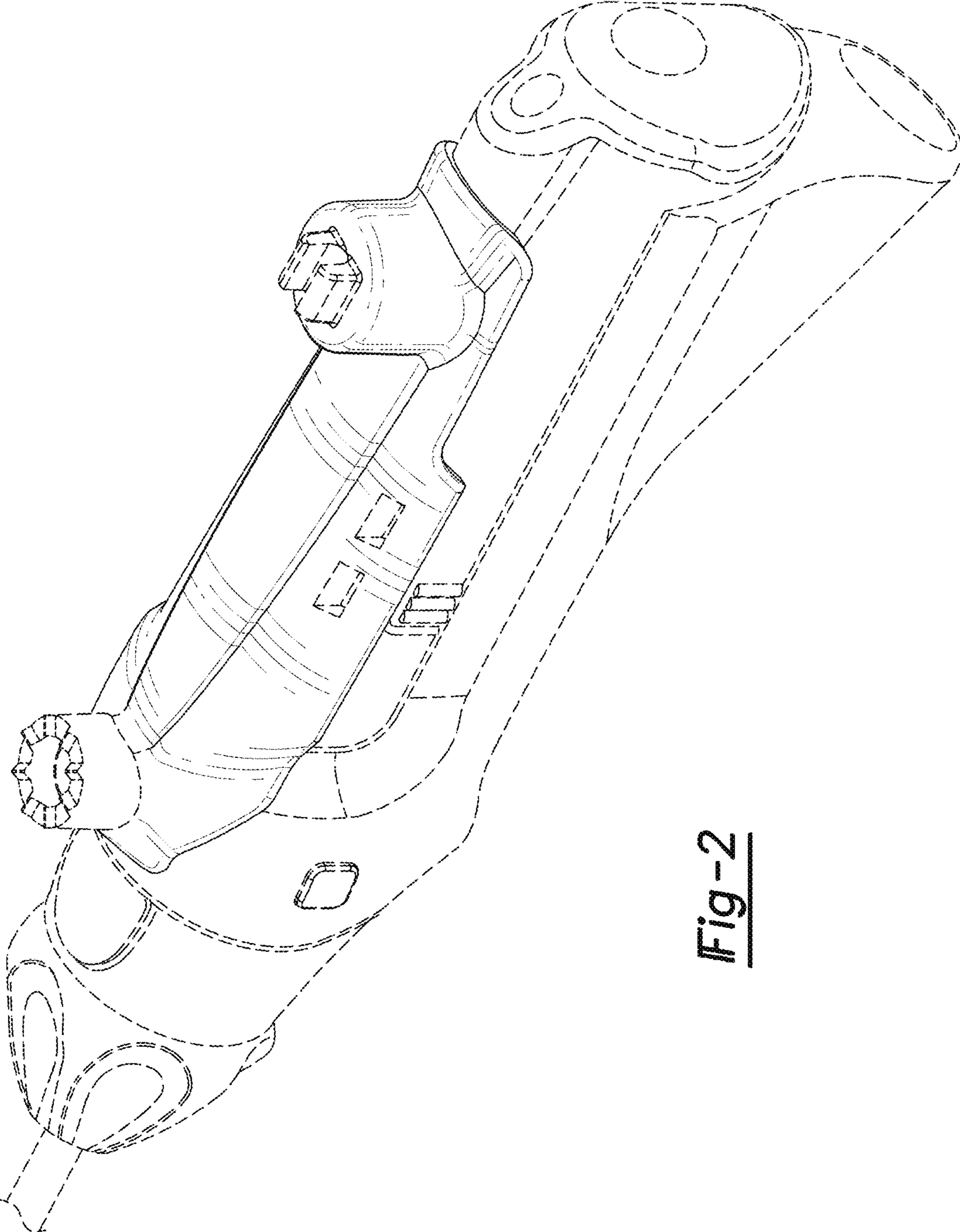


Fig-2

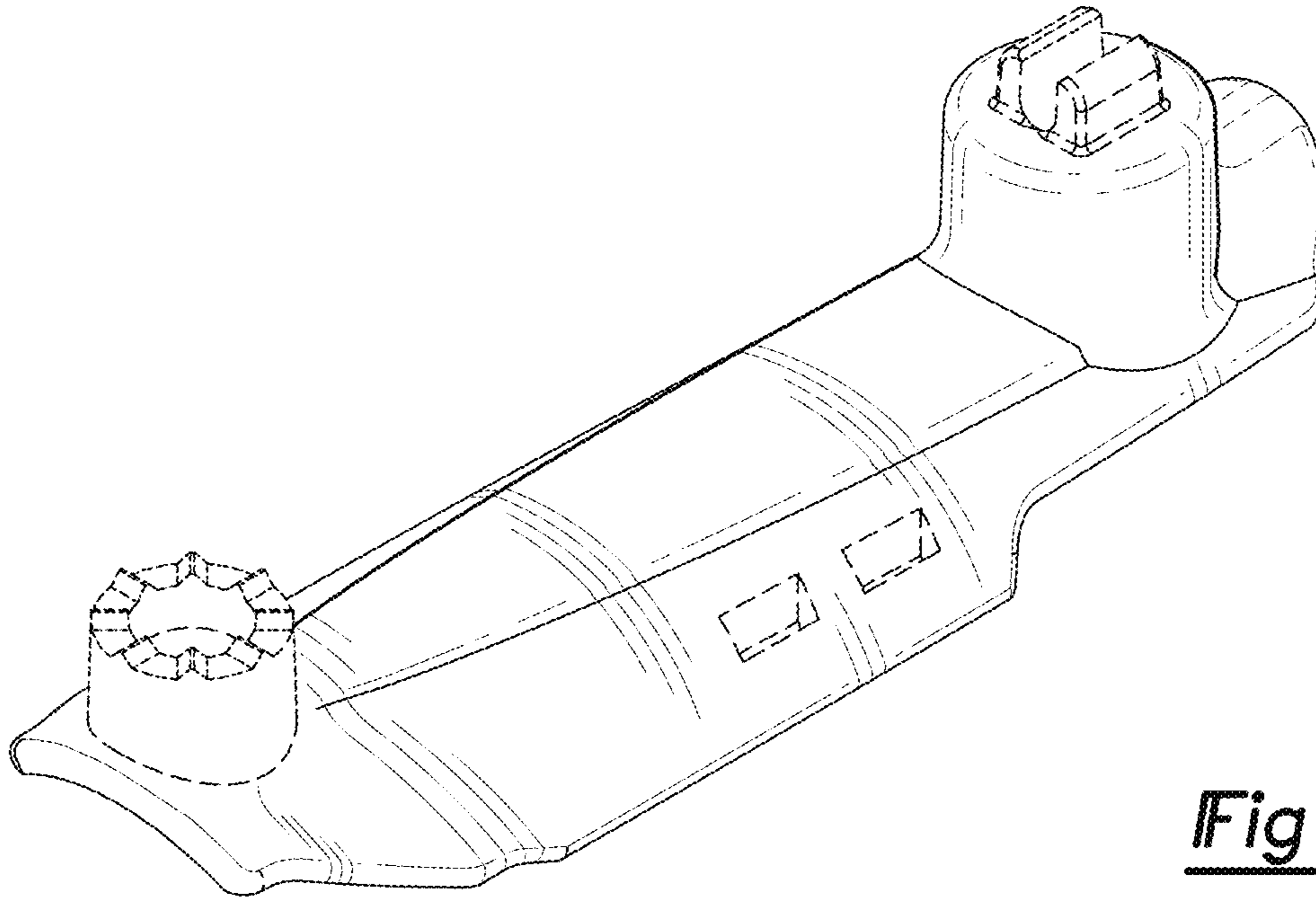


Fig-3

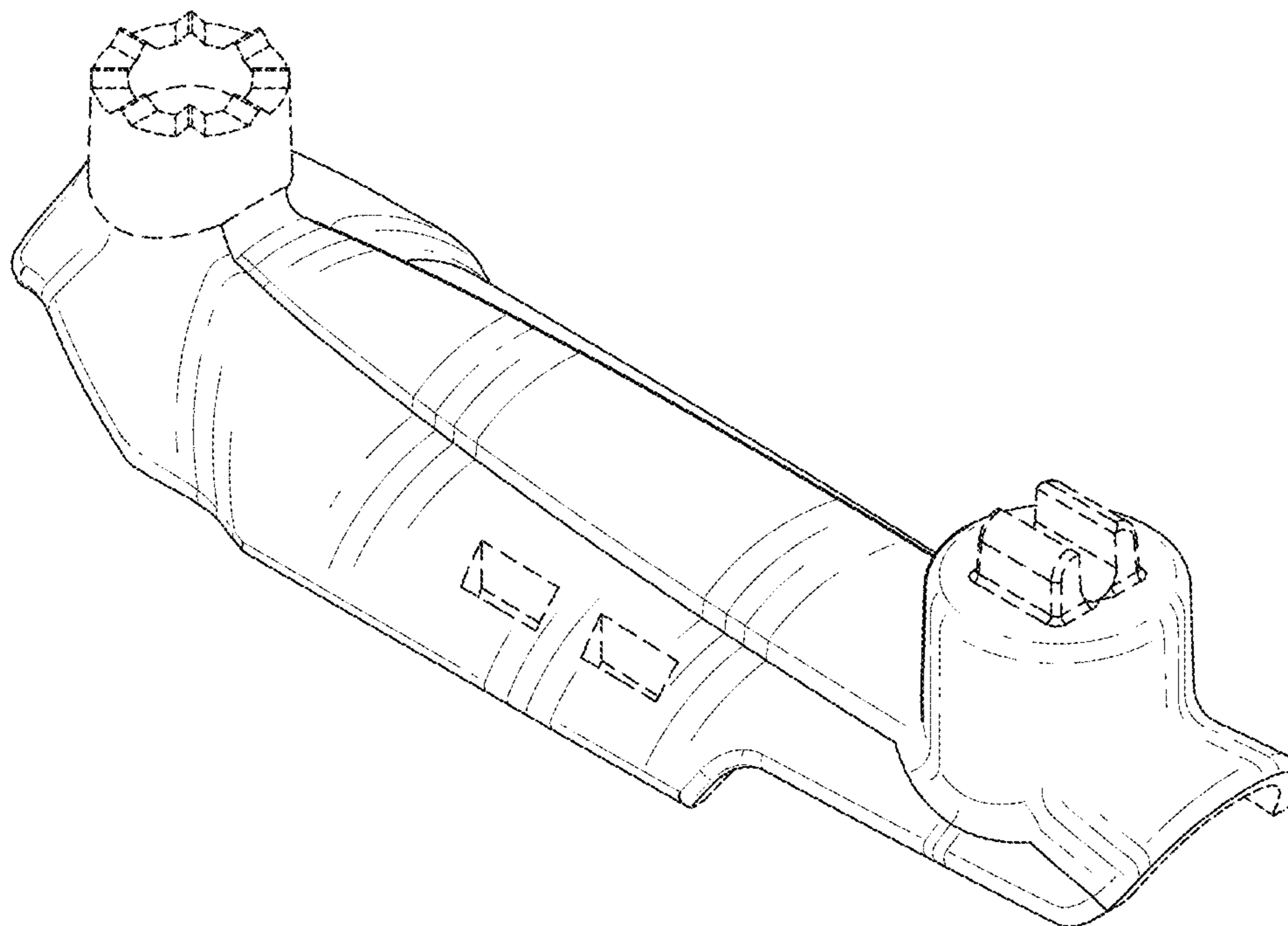


Fig-4

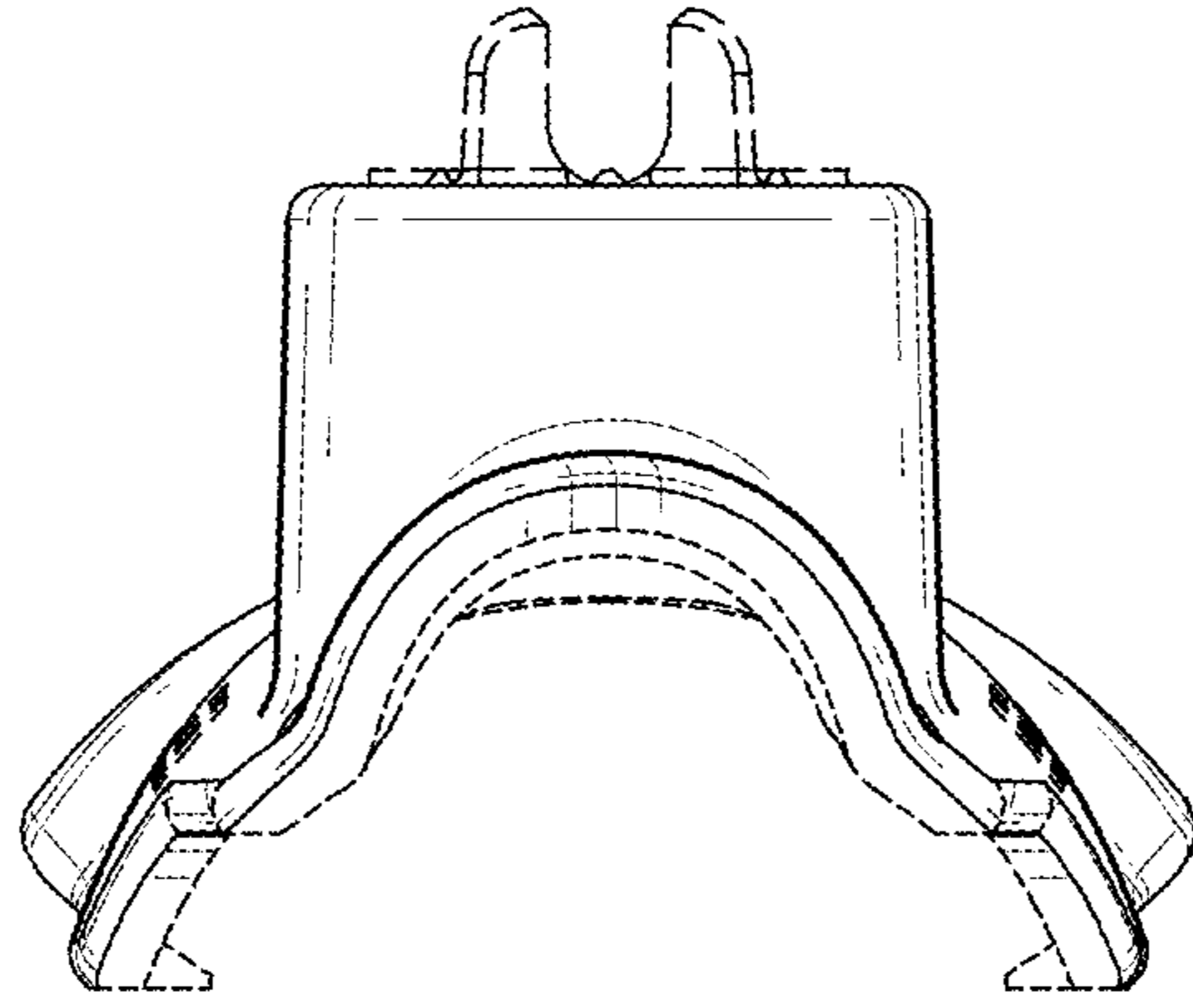


Fig-5

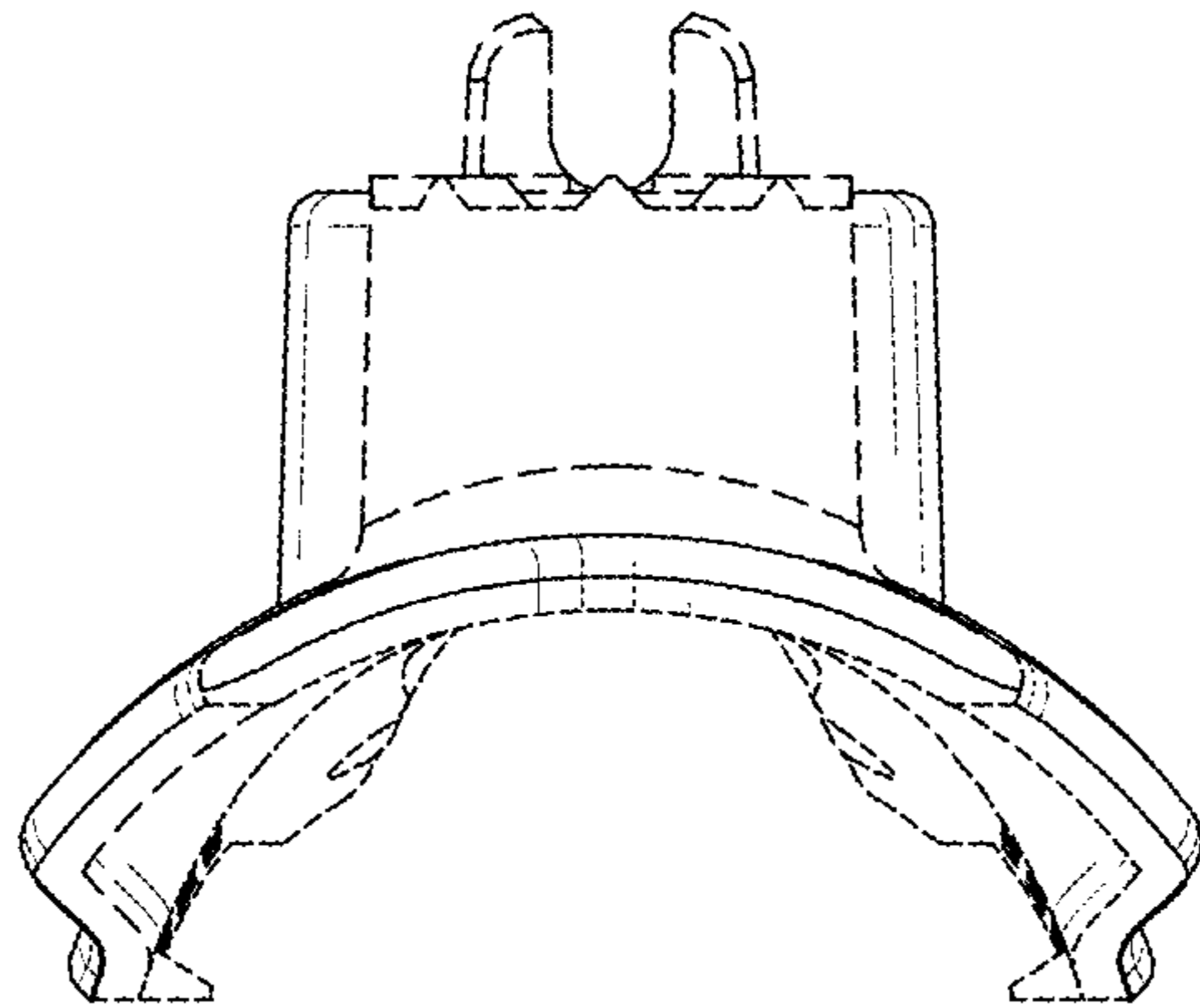


Fig-6

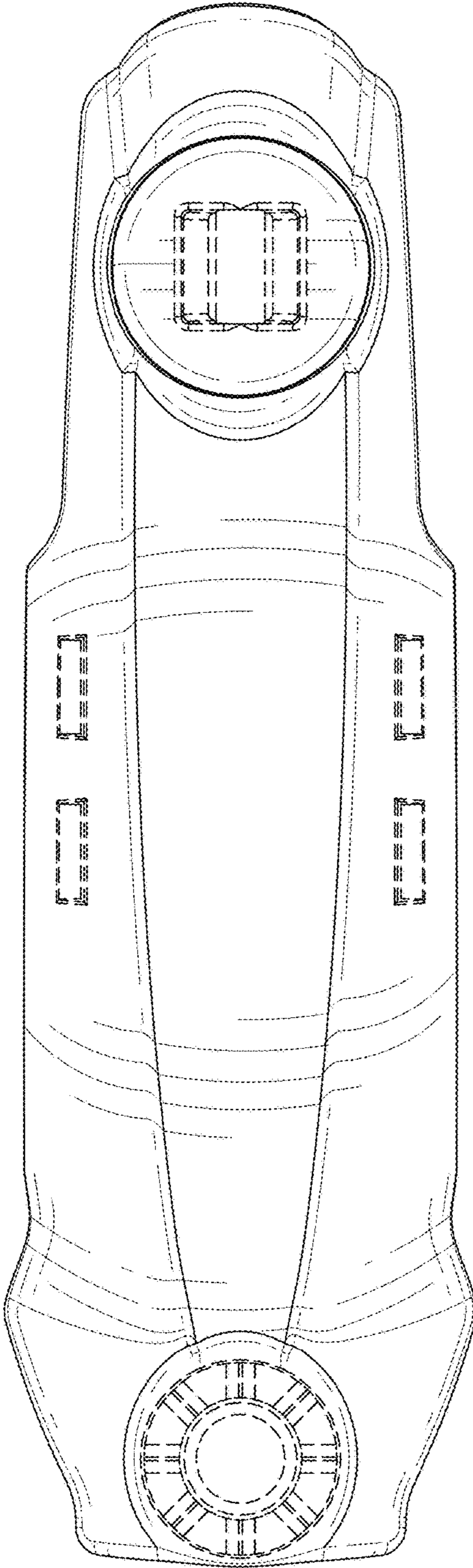


Fig-7

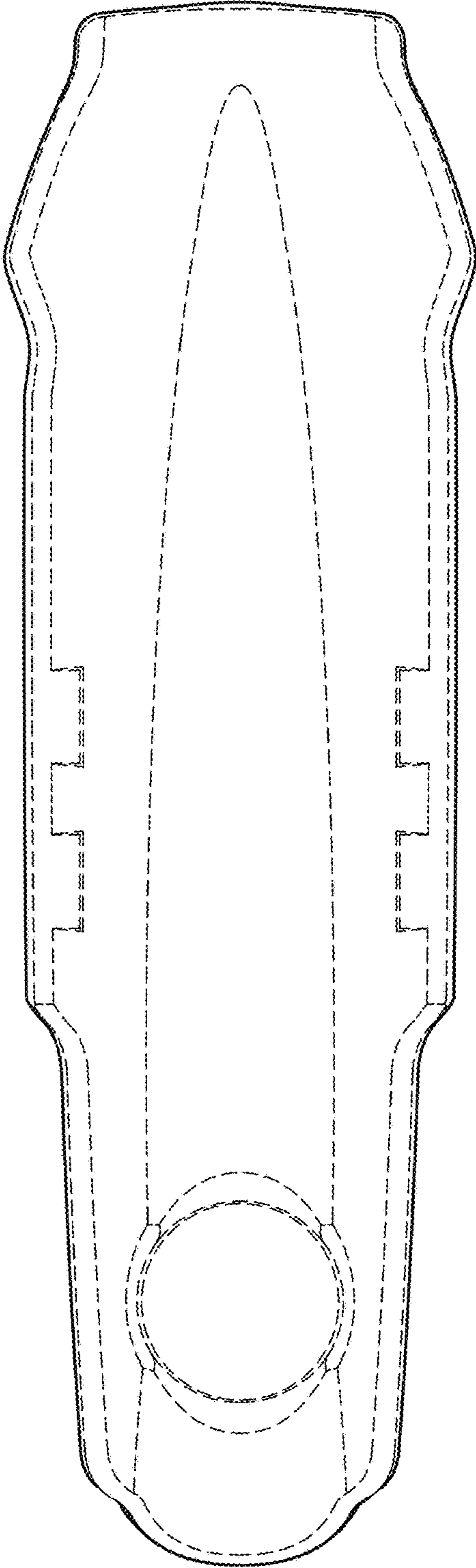


Fig-8

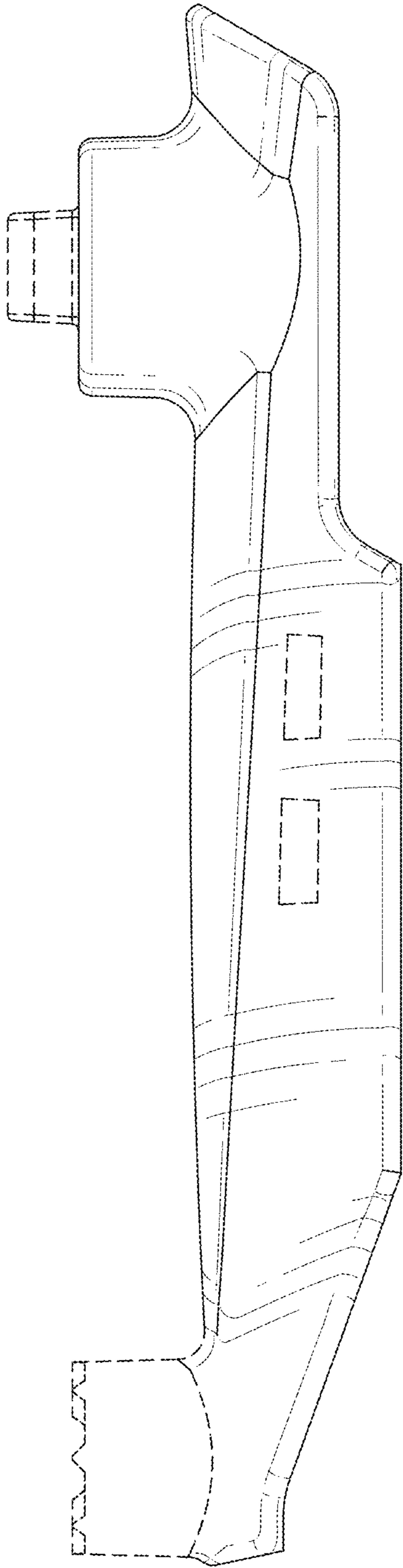


Fig-9

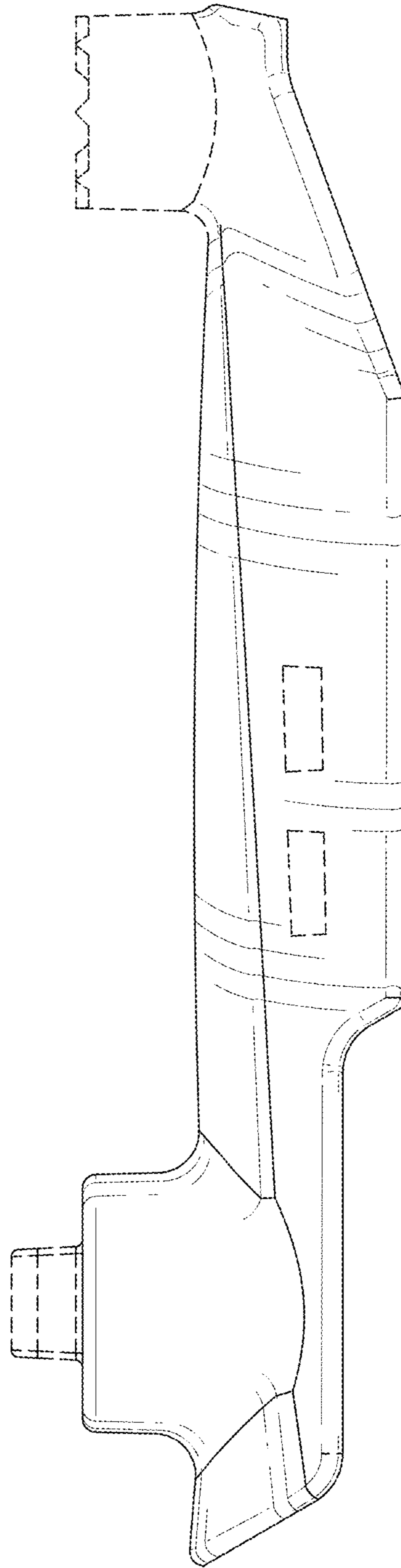


Fig-10