



US00D785793S

(12) **United States Design Patent** (10) **Patent No.:** **US D785,793 S**
Landanger (45) **Date of Patent:** **** May 2, 2017**

(54) **DEVICE FOR MITRAL PROSTHESIS ROPE LAYING**

(71) Applicant: **LANDANGER**, Chaumont (FR)

(72) Inventor: **Benoît Landanger**, Ruffey les Echirey (FR)

(73) Assignee: **LANDANGER**, Chaumont (FR)

(**) Term: **15 Years**

(21) Appl. No.: **29/567,943**

(22) Filed: **Jun. 14, 2016**

(51) **LOC (10) Cl.** **24-02**

(52) **U.S. Cl.**
USPC **D24/140; D24/133**

(58) **Field of Classification Search**
USPC D24/231, 133, 140, 155, 145, 148, 169
CPC A61F 2/2457; A61F 2/2466; A61F 2/2412;
A61F 2/2418; A61F 2/2439; A61B
17/0482

See application file for complete search history.

(56) **References Cited**

U.S. PATENT DOCUMENTS

5,706,824	A *	1/1998	Whittier	A61B 10/06 600/564
5,722,421	A *	3/1998	Francese	A61B 10/06 600/564
6,613,068	B2 *	9/2003	Ouchi	A61B 10/06 606/170
7,534,253	B2 *	5/2009	Endara	A61B 10/06 606/208
D598,547	S *	8/2009	Stefan	D24/143
7,635,386	B1	12/2009	Gammie		
D610,682	S *	2/2010	Stefan	D24/140
9,301,842	B2 *	4/2016	Bielefeld	A61B 17/0401
9,332,981	B2 *	5/2016	Roorda	A61B 17/0482
D758,581	S *	6/2016	Michelini	D24/143
2005/0251177	A1	11/2005	Saadat et al.		
2007/0049952	A1	3/2007	Weiss		

2008/0064982	A1 *	3/2008	Nowlin	A61B 10/06 600/564
2009/0105751	A1	4/2009	Zentgraf		
2010/0113873	A1	5/2010	Suzuki et al.		
2013/0317291	A1	11/2013	Yamamoto		
2014/0216187	A1 *	8/2014	Castro	A61B 17/29 74/102

(Continued)

FOREIGN PATENT DOCUMENTS

EP	2829240	A1 *	1/2015	A61B 17/0482
JP	2013-008817	A1	2/2015		
WO	2012/095280	A1	7/2012		

OTHER PUBLICATIONS

European Search Report dated Oct. 8, 2014, in connection with corresponding EP Application No. 14 17 8466 (2pgs).

Primary Examiner — Keli L Hill
Assistant Examiner — Karra S Johnson
(74) *Attorney, Agent, or Firm* — Maier & Maier, PLLC

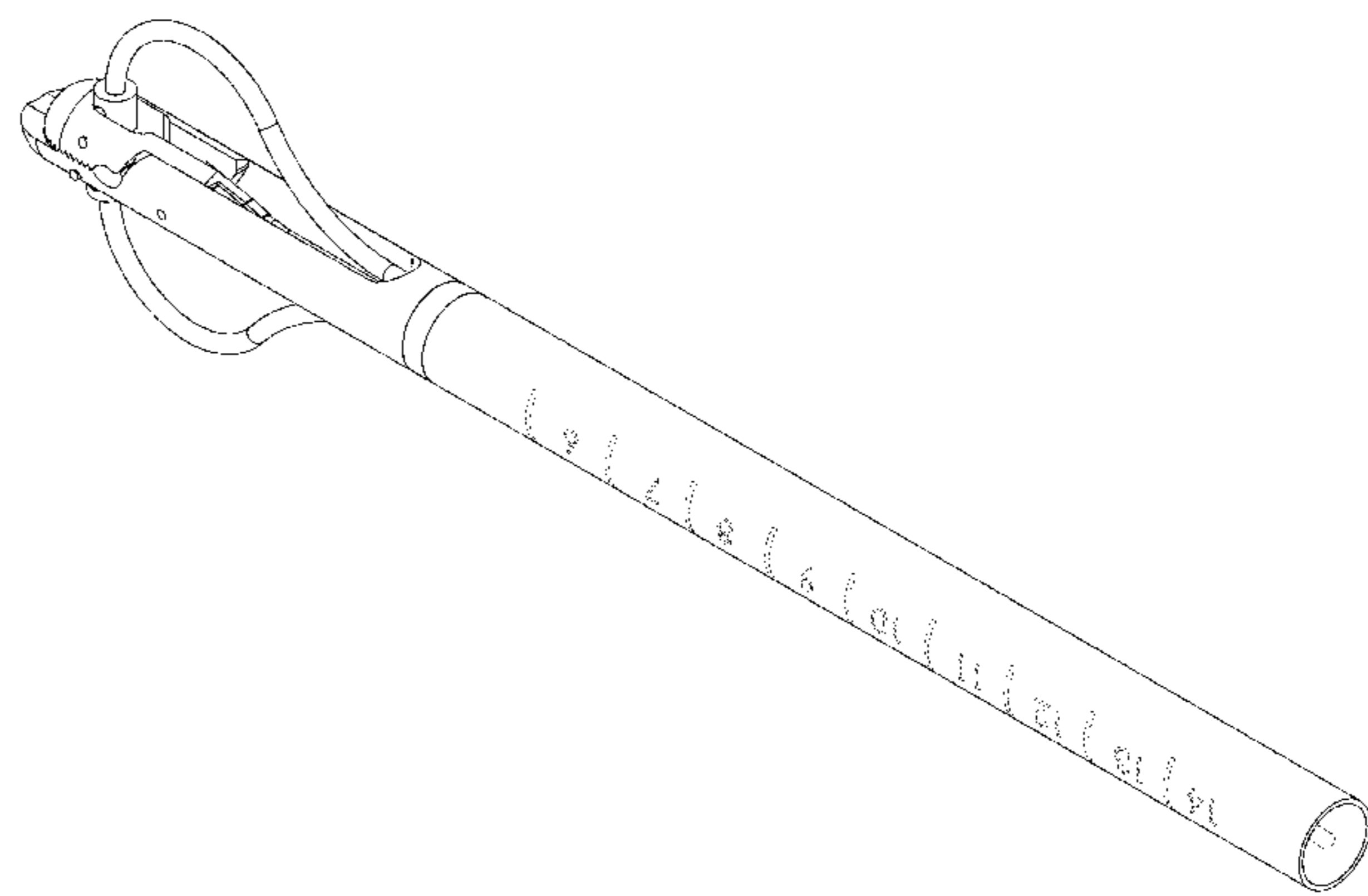
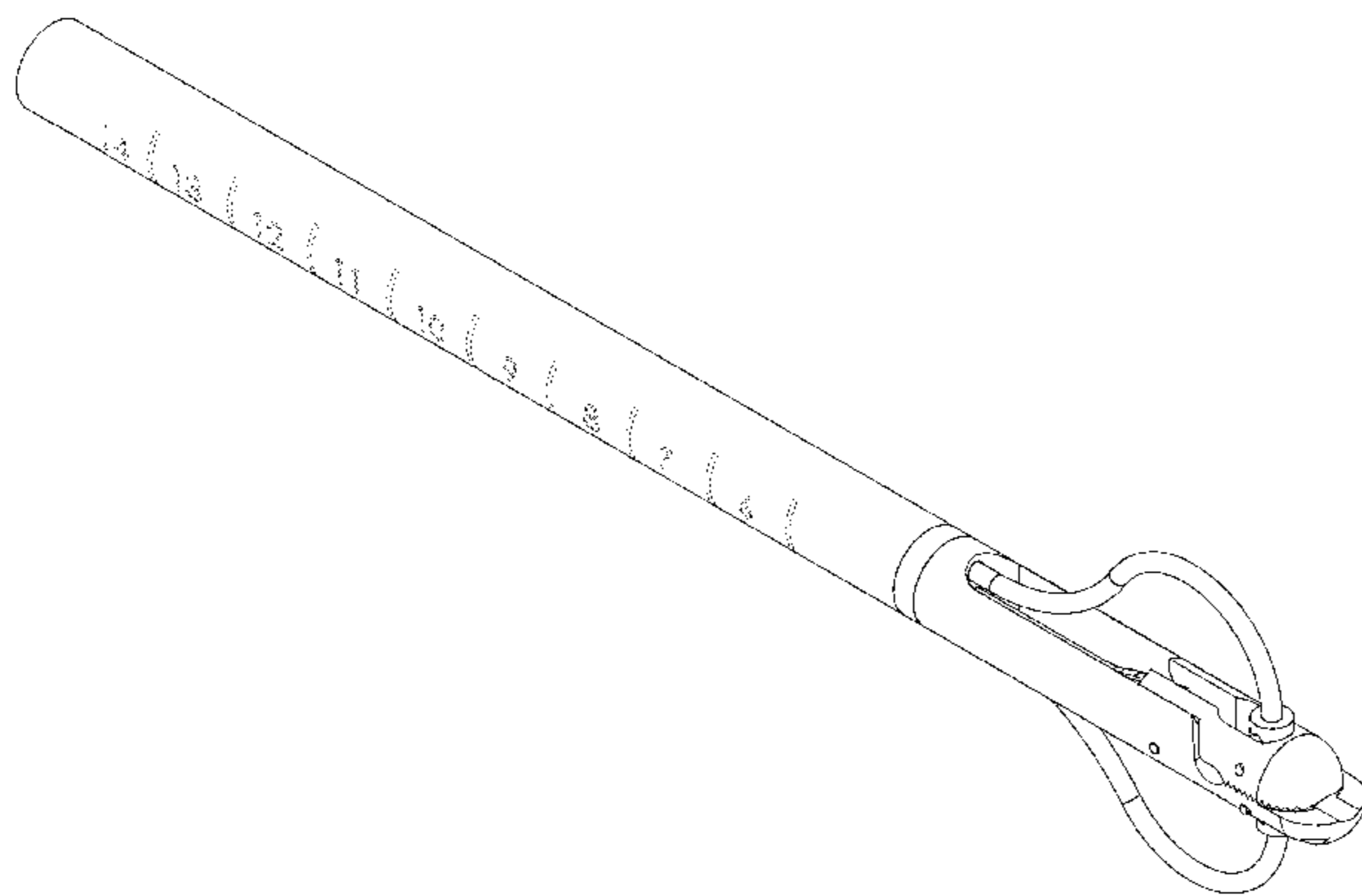
(57) **CLAIM**

The ornamental design for a device for mitral prosthesis rope laying, as shown and described.

DESCRIPTION

FIG. 1 is a rear perspective view of a device for mitral prosthesis rope laying;
FIG. 2 is a front perspective view thereof;
FIG. 3 is a right side elevation view thereof;
FIG. 4 is a left side elevation view thereof;
FIG. 5 is a top plan view thereof;
FIG. 6 is a bottom plan view thereof;
FIG. 7 is a front elevation view thereof; and,
FIG. 8 is a rear elevation view thereof.
The broken lines shown represent unclaimed subject matter and form no part of the claimed design.

1 Claim, 5 Drawing Sheets



(56)

References Cited

U.S. PATENT DOCUMENTS

2016/0213471 A1* 7/2016 Landanger A61F 2/2457
2016/0310132 A1* 10/2016 Meislin A61B 17/0469

* cited by examiner

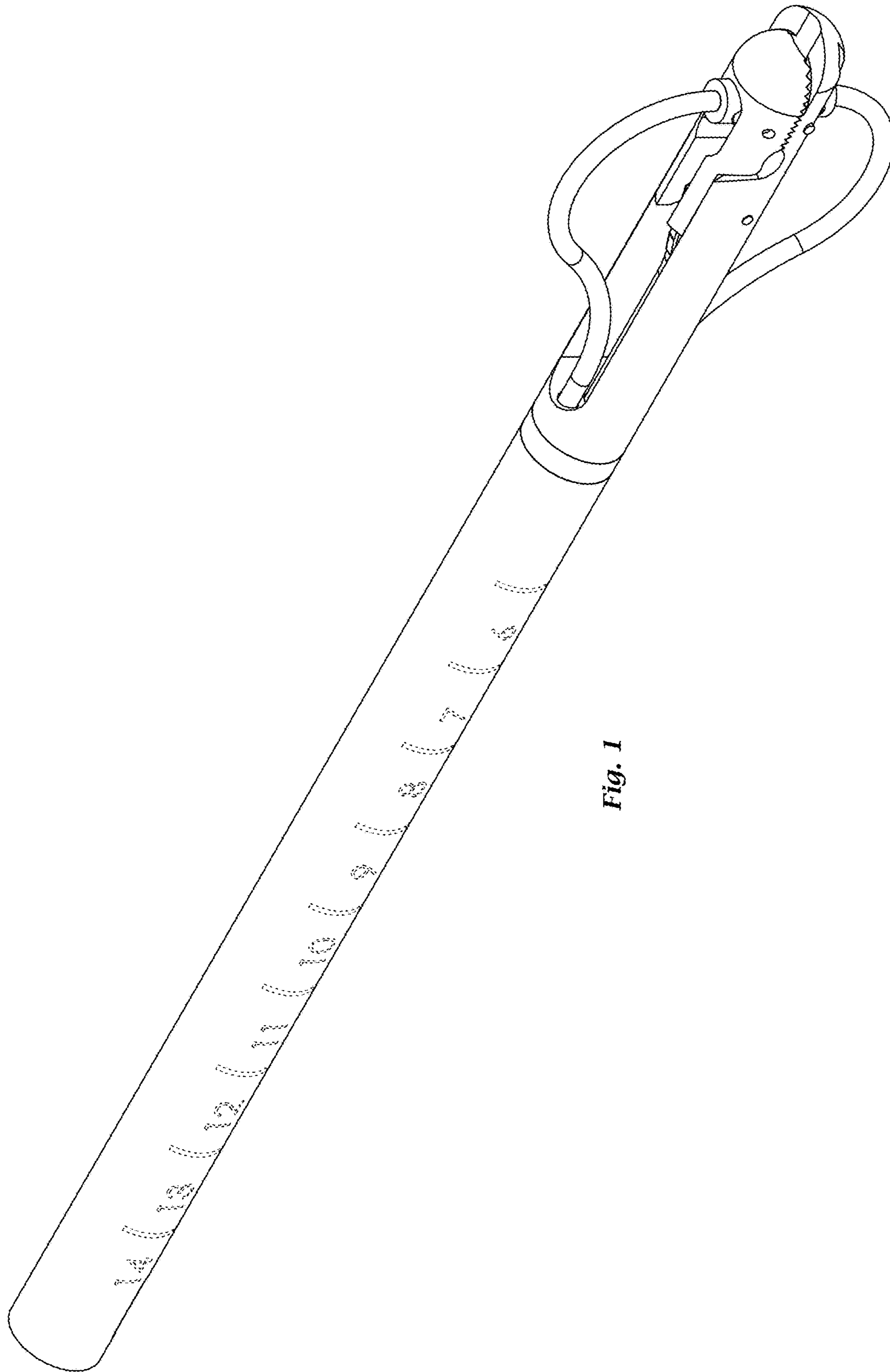


Fig. 1

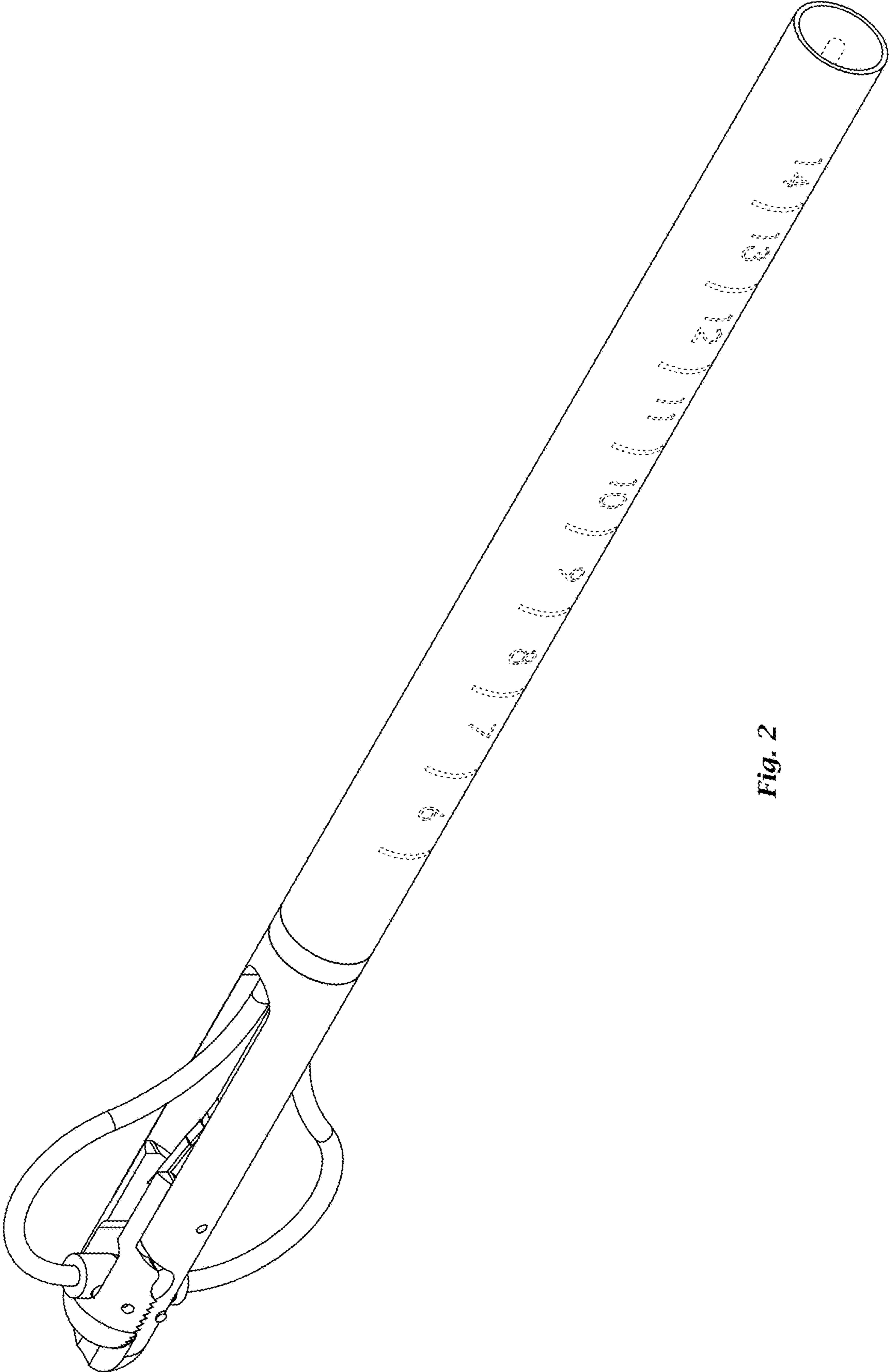


Fig. 2

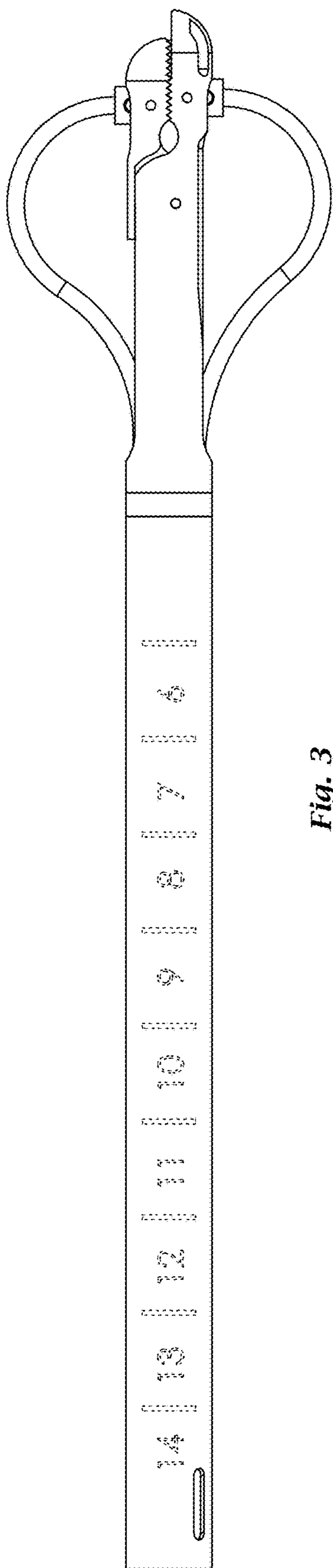


Fig. 3

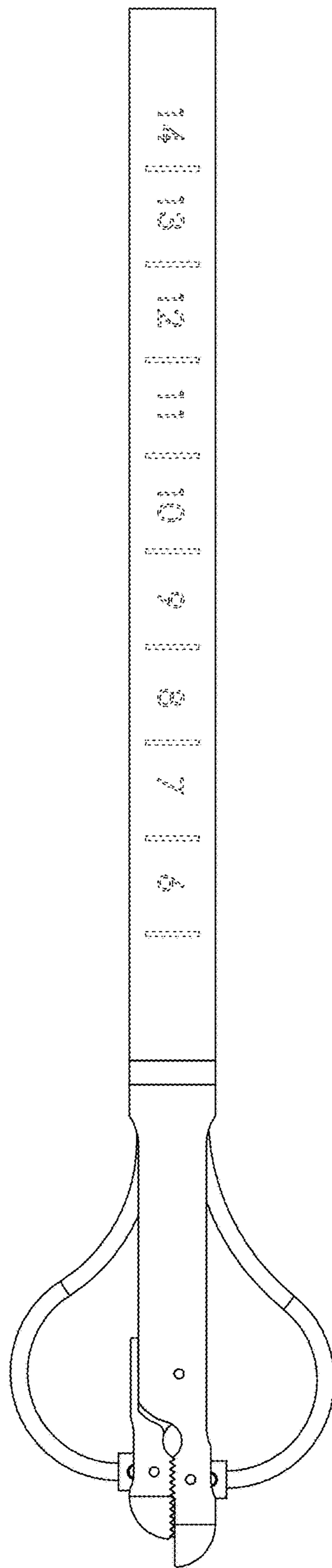


Fig. 4

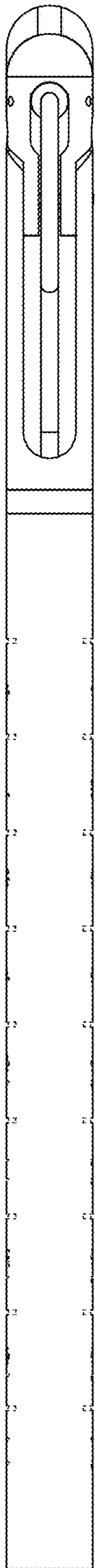


Fig. 5

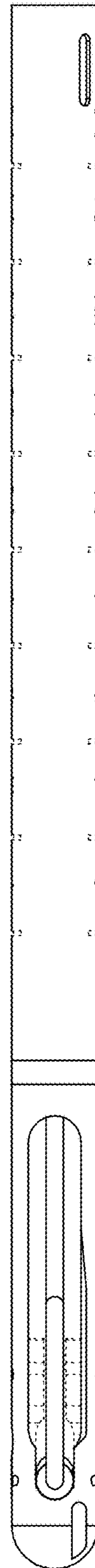


Fig. 6

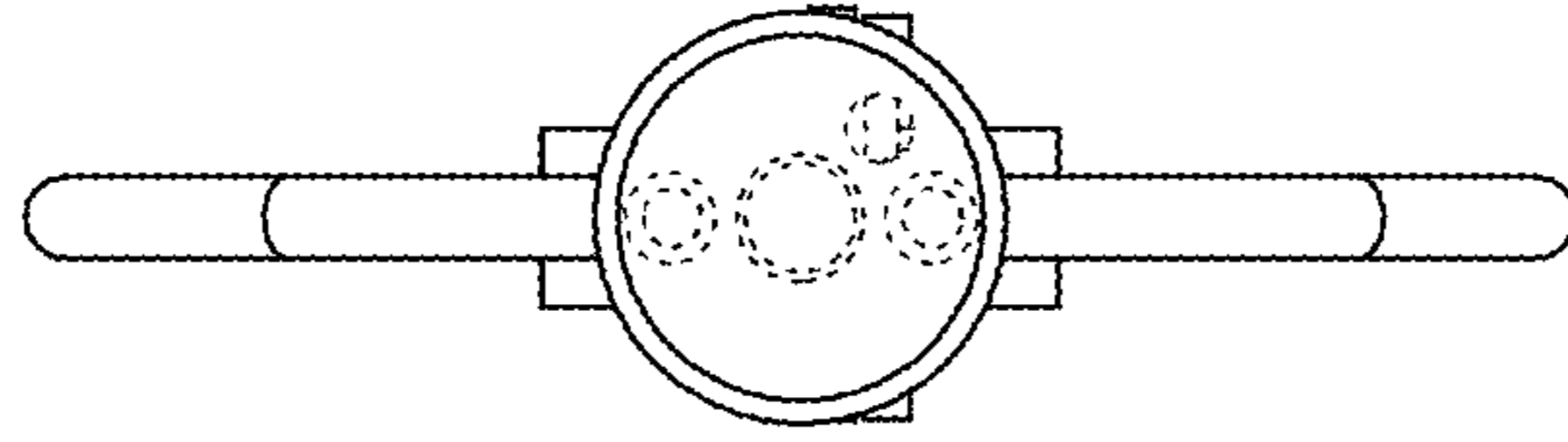


Fig. 8

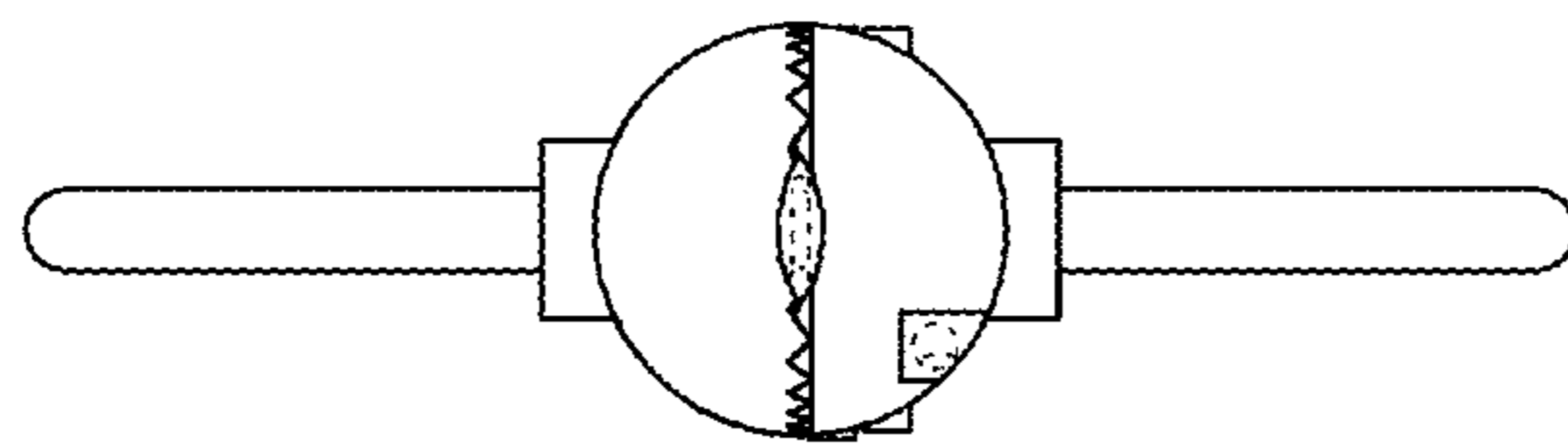


Fig. 7