



US00D785790S

(12) **United States Design Patent** (10) **Patent No.:** **US D785,790 S**
Lewis et al. (45) **Date of Patent:** **** May 2, 2017**

(54) **MALE DUAL LUMEN BAYONET CONNECTOR**

FOREIGN PATENT DOCUMENTS

(71) Applicant: **General Electric Company**,
Schenectady, NY (US)

BE 479098 1/1948
DE 1868896 3/1963

(Continued)

(72) Inventors: **Peter D. Lewis**, Fort Collins, CO (US);
Ravikumar Narayanan, Fort Collins,
CO (US); **Richard W. Cairns**,
Longmont, CO (US); **Riley M. Phipps**,
Fort Collins, CO (US)

OTHER PUBLICATIONS

About Us [online], Thuro Metal Products [retrieved on Apr. 9,
2010], retrieved from the Internet: <URL: <http://www.thurometal.com/about.html>>, 2 pages.

(Continued)

(73) Assignee: **General Electric Company**,
Schenectady, NY (US)

Primary Examiner — David Muller

(**) Term: **15 Years**

(74) *Attorney, Agent, or Firm* — Andrus Intellectual
Property Law, LLP

(21) Appl. No.: **29/552,625**

(22) Filed: **Jan. 25, 2016**

(57) **CLAIM**

Related U.S. Application Data

(63) Continuation of application No. 12/976,921, filed on
Dec. 22, 2010, now Pat. No. 9,388,929, and a
(Continued)

What is claimed is the ornamental design for a male dual
lumen bayonet connector, substantially as shown and
described.

(51) **LOC (10) Cl.** **24-02**

(52) **U.S. Cl.**
USPC **D24/129**

DESCRIPTION

(58) **Field of Classification Search**
USPC D24/127-131, 112-114, 133, 186;
606/181, 185; 604/264, 523-528, 272,
604/187, 158, 164.01-164.11, 181, 184,
604/227; 600/101, 139, 143;
128/200.24, 207.14, 207.15

FIG. 1 is a front isometric view taken from the top, left side
of a male dual lumen bayonet connector.
FIG. 2 is a rear isometric view of the male dual lumen
bayonet connector of FIG. 1. taken from the top, right side.
FIG. 3 is a front elevation view thereof;
FIG. 4 is a bottom plan view thereof;
FIG. 5 is a rear elevation view thereof;
FIG. 6 is a left side elevation view thereof;
FIG. 7 is a right side elevation view thereof; and,
FIG. 8 is a top plan view thereof.

(Continued)

(56) **References Cited**

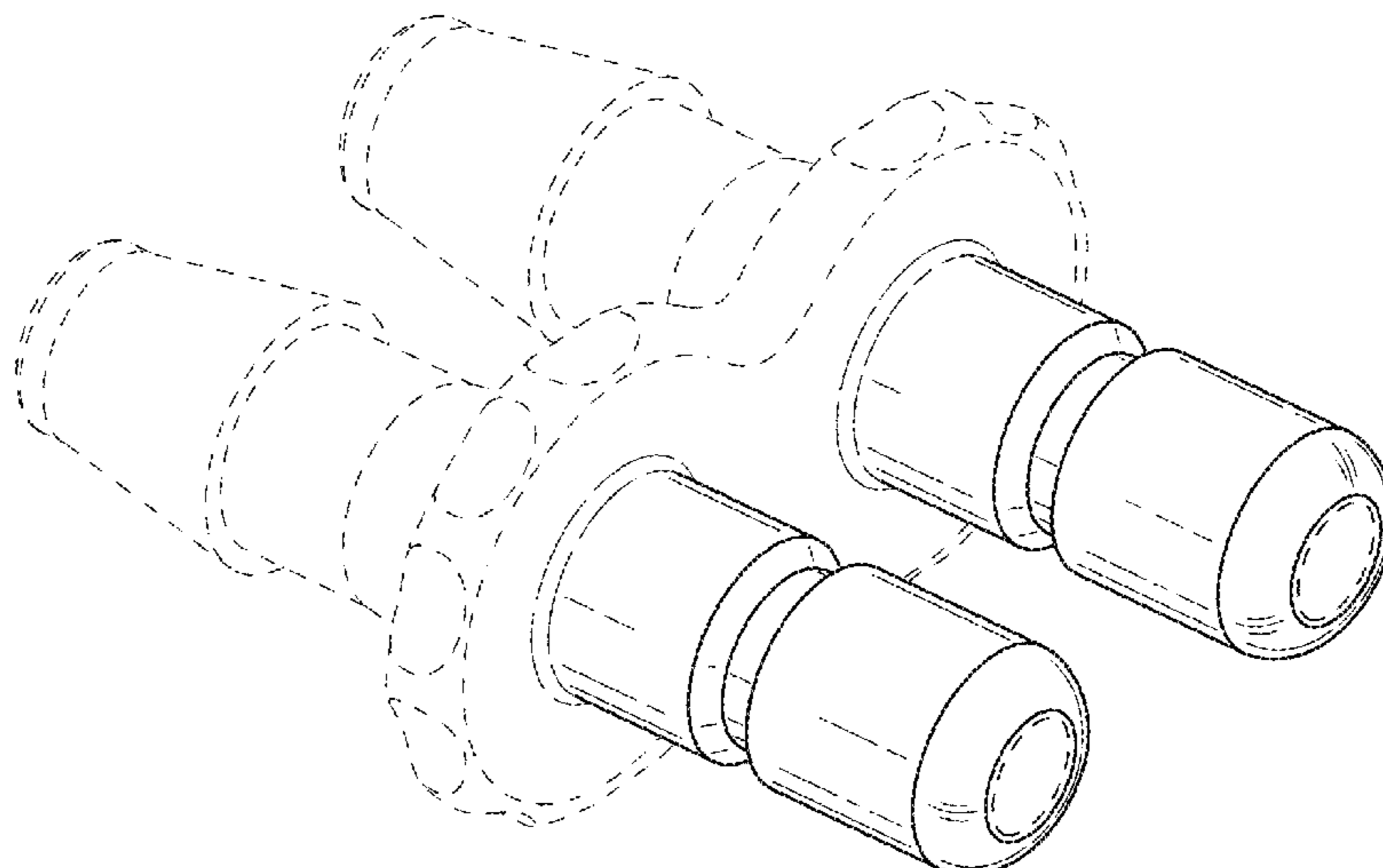
U.S. PATENT DOCUMENTS

1,029,819 A 6/1912 Nylander et al.
1,033,187 A 7/1912 Metzger et al.

(Continued)

The features shown in broken lines depict environmental
structure only and form no part of the claimed design.

1 Claim, 5 Drawing Sheets



Related U.S. Application Data

continuation-in-part of application No. 29/351,665,
filed on Dec. 9, 2009, now Pat. No. Des. 649,240.

(58) **Field of Classification Search**

CPC A61M 25/00; A61M 39/00; A61M 27/00;
A61M 25/0067; A61M 25/0097; A61F
2/958

See application file for complete search history.

(56) **References Cited**

U.S. PATENT DOCUMENTS

1,039,354 A	9/1912	Bonadio et al.	D196,473 S	10/1963	Hill
1,077,417 A	11/1913	Mccracken et al.	3,124,157 A	3/1964	Krzewina
1,078,112 A	11/1913	Storm et al.	3,129,020 A	4/1964	Bujnowski et al.
1,115,945 A	11/1914	Kunz et al.	3,171,196 A	3/1965	Robert et al.
1,115,989 A	11/1914	Thurman et al.	3,191,628 A	6/1965	Kirkwood et al.
1,193,446 A	8/1916	Wells	3,217,400 A	11/1965	Otto et al.
1,239,345 A	9/1917	Brown et al.	3,217,771 A	11/1965	Nathan et al.
1,255,847 A	2/1918	Arkin et al.	3,227,380 A	1/1966	Pinkston et al.
1,259,684 A	3/1918	Vinten et al.	3,237,974 A	3/1966	Press et al.
1,489,310 A	4/1924	Coe et al.	3,245,703 A	4/1966	Manly et al.
1,526,218 A	2/1925	Edward et al.	3,276,799 A	10/1966	Moore et al.
1,578,504 A	3/1926	Bronson et al.	3,279,497 A	10/1966	Frederick et al.
1,767,073 A	6/1930	Ingold et al.	3,314,696 A	4/1967	Ferguson et al.
1,863,360 A	6/1932	Weatherhead et al.	3,317,214 A	5/1967	Durgom et al.
2,023,428 A	12/1935	Liebhardt et al.	D209,166 S	11/1967	Shiner
2,066,473 A	1/1937	Berg et al.	D209,168 S	11/1967	Hunt
2,066,624 A	1/1937	Hem et al.	3,352,576 A	11/1967	Thomas et al.
2,097,628 A	11/1937	Charles et al.	3,382,892 A	5/1968	Cerbin et al.
2,099,335 A	11/1937	Hansen et al.	3,394,954 A	7/1968	Sams et al.
2,099,336 A	11/1937	Hart et al.	3,403,930 A	10/1968	Raymond et al.
2,108,714 A	2/1938	Peter et al.	3,448,760 A	6/1969	Cranage et al.
2,116,706 A	5/1938	Isaac et al.	3,450,424 A	6/1969	Calisher et al.
2,139,746 A	12/1938	Hadaway et al.	3,512,808 A	5/1970	Graham et al.
2,147,366 A	2/1939	Fagan et al.	3,523,701 A	8/1970	Graham et al.
2,169,116 A	8/1939	Thompson et al.	3,538,940 A	11/1970	Graham et al.
2,211,147 A	8/1940	Miller et al.	3,542,338 A	11/1970	Scaramucci et al.
2,263,293 A	11/1941	Ewald et al.	3,545,490 A	12/1970	Burrus et al.
2,264,816 A	12/1941	Treanor et al.	3,550,626 A	12/1970	Daniels et al.
2,267,321 A	12/1941	Biddlecomb et al.	3,560,027 A	2/1971	Graham et al.
2,340,119 A	1/1944	Graham et al.	3,563,265 A	2/1971	Graham et al.
2,346,446 A	4/1944	Messier et al.	3,574,314 A	4/1971	Quercia et al.
2,362,728 A	11/1944	Smith et al.	3,588,149 A	6/1971	Demler et al.
2,429,782 A	10/1947	Versoy et al.	3,596,933 A	8/1971	Luckenbill et al.
2,432,946 A	12/1947	Marie et al.	3,599,843 A	8/1971	Johnston et al.
2,470,800 A	5/1949	Ashton et al.	3,600,917 A	8/1971	Krock et al.
2,479,499 A	8/1949	Le et al.	3,649,050 A	3/1972	Woodling et al.
2,600,720 A	6/1952	Abramson et al.	3,666,297 A	5/1972	Marks et al.
2,607,636 A	8/1952	Henry et al.	3,690,336 A	9/1972	Drum et al.
2,616,683 A	11/1952	Fevre et al.	3,712,583 A	1/1973	Martindale et al.
2,626,974 A	1/1953	Howard et al.	3,747,964 A	7/1973	Nilsen, Jr.
2,630,131 A	3/1953	Rush et al.	3,750,238 A	8/1973	Tanner
2,636,740 A	4/1953	Mcneal et al.	3,815,887 A	6/1974	Curtis et al.
2,661,018 A	12/1953	Rush et al.	3,817,561 A	6/1974	Kay
2,677,009 A	4/1954	Mascuch et al.	3,829,135 A	8/1974	Forni
2,701,147 A	2/1955	Summerville et al.	3,873,062 A	3/1975	Johnson et al.
2,722,399 A	11/1955	Hans et al.	3,876,234 A	4/1975	Harms
2,763,196 A	9/1956	Singleton et al.	3,889,710 A	6/1975	Brost
2,774,616 A	12/1956	Dodd et al.	3,899,200 A	8/1975	Gamble
2,790,671 A	4/1957	Kenworthy et al.	3,921,656 A	11/1975	Meisenheimer, Jr. et al.
2,864,628 A	12/1958	Edleson et al.	3,979,934 A	9/1976	Isenmann
2,915,325 A	12/1959	Foster et al.	3,990,674 A	11/1976	Schattenberg
2,926,934 A	3/1960	Gill et al.	3,995,659 A	12/1976	Cantore
2,931,668 A	4/1960	Baley et al.	4,025,049 A	5/1977	Schmidt
2,937,892 A	5/1960	Prescott et al.	4,039,213 A	8/1977	Walters
2,948,553 A	8/1960	Gill et al.	4,072,330 A	2/1978	Brysch
2,967,067 A	1/1961	Heinrich et al.	4,099,748 A	7/1978	Kavick
2,991,090 A	7/1961	De et al.	4,113,627 A	9/1978	Leason
3,017,203 A	1/1962	Keith et al.	4,116,476 A	9/1978	Porter et al.
3,037,497 A	6/1962	Harter et al.	4,129,145 A	12/1978	Wynn
3,046,028 A	7/1962	Nathan et al.	4,142,546 A	3/1979	Sandau
3,048,415 A	8/1962	Shook et al.	D252,470 S	7/1979	Pawlak
3,073,342 A	1/1963	Magorien et al.	4,181,149 A	1/1980	Cox
3,078,068 A	2/1963	Romney et al.	4,182,519 A	1/1980	Wilson
			D254,505 S	3/1980	Parsons et al.
			4,200,605 A	4/1980	Imamura et al.
			D255,145 S	5/1980	Nederman
			4,220,360 A	9/1980	Jacek et al.
			D258,526 S	3/1981	Nederman
			4,253,687 A	3/1981	Maples
			D259,278 S	5/1981	McCaw et al.
			4,271,865 A	6/1981	Galloway et al.
			4,282,175 A	8/1981	Volgstadt et al.
			4,287,644 A	9/1981	Durand
			4,294,285 A	10/1981	Joslyn
			4,296,949 A	10/1981	Muetterties et al.
			4,319,774 A	3/1982	Kavick
			4,330,010 A	5/1982	Drescher et al.
			4,330,142 A	5/1982	Paini
			4,331,175 A	5/1982	Brake et al.

(56)

References Cited

U.S. PATENT DOCUMENTS

4,331,177	A	5/1982	Makishima	D313,277	S	12/1990	Haining
4,340,200	A	7/1982	Stegmeier	D314,050	S	1/1991	Sone
4,345,786	A	8/1982	Egert	D314,233	S	1/1991	Medvick
4,346,703	A	8/1982	Dennehey et al.	4,982,736	A	1/1991	Schneider
4,351,351	A	9/1982	Flory et al.	4,991,880	A	2/1991	Bernart
4,366,816	A	1/1983	Bayard et al.	5,009,252	A	4/1991	Faughn
4,393,548	A	7/1983	Herb	5,015,014	A	5/1991	Sweeney
4,397,442	A	8/1983	Larkin	5,029,908	A	7/1991	Belisaire
4,407,526	A	10/1983	Cicenas	5,033,777	A	7/1991	Blenkush
4,431,031	A	2/1984	Ettlinger	D319,312	S	8/1991	Schneider
4,431,218	A	2/1984	Paul, Jr. et al.	5,052,725	A	10/1991	Meyer et al.
4,434,121	A	2/1984	Schäper et al.	5,074,601	A	12/1991	Spors et al.
4,436,125	A	3/1984	Blenkush	5,076,615	A	12/1991	Sampson
4,437,689	A	3/1984	Goebel et al.	5,078,429	A	1/1992	Braut et al.
4,439,188	A	3/1984	Dennehey et al.	5,085,472	A	2/1992	Guest
4,458,719	A	7/1984	Strybel	5,090,448	A	2/1992	Truchet
4,489,914	A	12/1984	Stevenson et al.	5,090,747	A	2/1992	Kotake
4,489,961	A	12/1984	Laidig	5,094,482	A	3/1992	Petty et al.
4,500,118	A	2/1985	Blenkush	5,104,158	A	4/1992	Meyer et al.
4,527,745	A	7/1985	Butterfield et al.	5,106,127	A	4/1992	Briet
4,541,457	A	9/1985	Blenkush	D326,155	S	5/1992	Boehringer et al.
4,541,657	A	9/1985	Smyth	5,110,163	A	5/1992	Benson et al.
4,553,587	A	11/1985	Traylor	5,112,084	A	5/1992	Washizu
4,576,359	A	3/1986	Oetiker	5,114,250	A	5/1992	Usui
4,580,816	A	4/1986	Campbell et al.	D326,715	S	6/1992	Schmidt
4,603,888	A	8/1986	Goodall et al.	5,123,677	A	6/1992	Kreczko et al.
4,603,890	A	8/1986	Huppee	5,143,381	A	9/1992	Temple
4,613,112	A	9/1986	Philipot et al.	5,160,177	A	11/1992	Washizu
4,616,859	A	10/1986	Brunet	5,160,474	A	11/1992	Huff
4,626,001	A	12/1986	Lee	5,165,733	A	11/1992	Sampson
4,630,847	A	12/1986	Blenkush	5,169,161	A	12/1992	Jones
4,632,436	A	12/1986	Kimura	D332,482	S	1/1993	Petty et al.
4,635,972	A	1/1987	Lyll	5,176,406	A	1/1993	Straghan
4,645,245	A	2/1987	Cunningham	5,178,303	A	1/1993	Blenkush et al.
4,658,326	A	4/1987	Clark et al.	5,181,752	A	1/1993	Benson et al.
4,659,116	A	4/1987	Cameron	D333,178	S	2/1993	Novy
4,694,544	A	9/1987	Chapman	5,190,224	A	3/1993	Hamilton
4,698,027	A	10/1987	Vandame	5,201,552	A	4/1993	Hohmann et al.
4,699,298	A	10/1987	Grant et al.	5,219,185	A	6/1993	Oddenino
4,700,926	A	10/1987	Hansen	5,222,279	A	6/1993	Franco et al.
4,703,957	A	11/1987	Blenkush	5,228,724	A	7/1993	Godeau
4,706,847	A	11/1987	Sankey et al.	5,232,020	A	8/1993	Mason et al.
4,712,280	A	12/1987	Fildan	D339,417	S	9/1993	Sampson et al.
4,733,890	A	3/1988	Vyse	5,251,025	A	10/1993	Cooper et al.
4,738,401	A	4/1988	Filicicchia	5,273,053	A	12/1993	Pohndorf
4,753,268	A	6/1988	Palau	5,297,820	A	3/1994	Martin
4,768,558	A	9/1988	Weber	5,297,826	A	3/1994	Percebois et al.
4,776,067	A	10/1988	Sorensen	5,316,041	A	5/1994	Ramacier, Jr. et al.
4,790,567	A	12/1988	Kawano et al.	5,318,332	A	6/1994	Hohmann et al.
4,790,569	A	12/1988	Chaffee	5,330,235	A	7/1994	Wagner et al.
4,792,115	A	12/1988	Jindra et al.	5,348,051	A	9/1994	Kallenbach
4,793,637	A	12/1988	Laipply et al.	5,348,354	A	9/1994	Badoureaux
4,806,123	A	2/1989	Konishi et al.	5,353,836	A	10/1994	deCler et al.
D300,361	S	3/1989	Tokarz	5,356,183	A	10/1994	Cole
4,824,148	A	4/1989	Grabowski	5,374,088	A	12/1994	Moretti et al.
4,827,921	A	5/1989	Rugheimer	5,385,311	A	1/1995	Morikawa et al.
4,832,237	A	5/1989	Hurford, Jr.	5,385,331	A	1/1995	Allread et al.
4,834,423	A	5/1989	DeLand	D357,307	S	4/1995	Ramacier et al.
4,844,512	A	7/1989	Gahwiler	5,405,333	A	4/1995	Richmond
4,863,201	A	9/1989	Carstens	5,405,339	A	4/1995	Kohnen et al.
4,863,202	A	9/1989	Oldford	5,405,340	A	4/1995	Fageol et al.
4,896,402	A	1/1990	Jansen et al.	5,411,300	A	5/1995	Mitsui
4,900,065	A	2/1990	Houck	5,417,442	A	5/1995	Jornhagen
4,903,995	A	2/1990	Blenkush et al.	5,421,622	A	6/1995	Godeau
4,923,228	A	5/1990	Laipply	5,437,650	A	8/1995	Larkin et al.
4,928,859	A	5/1990	Krahn et al.	5,440,792	A	8/1995	Ida
4,928,999	A	5/1990	Landriault et al.	5,462,313	A	10/1995	Rea et al.
4,934,655	A	6/1990	Blenkush et al.	5,494,074	A	2/1996	Ramacier, Jr. et al.
4,935,992	A	6/1990	Due	D369,409	S	4/1996	Salter
4,946,200	A	8/1990	Blenkush et al.	5,507,733	A	4/1996	Larkin et al.
4,946,204	A	8/1990	Boticki	5,511,527	A	4/1996	Lorraine et al.
4,949,745	A	8/1990	McKeon	D372,093	S	7/1996	Sampson et al.
4,966,398	A	10/1990	Peterson	5,536,258	A	7/1996	Folden
4,969,879	A	11/1990	Lichte	5,542,712	A	8/1996	Klinger et al.
D313,067	S	12/1990	Kotake et al.	5,547,166	A	8/1996	Engdahl
				5,547,230	A	8/1996	Bank et al.
				5,553,895	A	9/1996	Karl et al.
				D375,160	S	10/1996	Sampson et al.
				5,568,946	A	10/1996	Jackowski

(56)

References Cited

U.S. PATENT DOCUMENTS

5,595,217 A	1/1997	Gillen et al.	6,155,610 A	12/2000	Godeau et al.
5,601,317 A	2/1997	Crouse et al.	6,161,578 A	12/2000	Braun et al.
5,607,087 A	3/1997	Wery et al.	6,176,523 B1	1/2001	Winslett
5,607,190 A	3/1997	Exandier et al.	6,182,694 B1	2/2001	Sievers et al.
5,617,609 A	4/1997	Bently	6,189,560 B1	2/2001	Reynolds
5,620,025 A	4/1997	Lewin	6,199,915 B1	3/2001	Becker
5,628,726 A	5/1997	Cotter	6,199,919 B1	3/2001	Kawasaki et al.
D380,262 S	6/1997	Van Funderburk et al.	6,199,920 B1	3/2001	Neustadtl
5,639,064 A	6/1997	deCler et al.	6,206,028 B1	3/2001	Holden et al.
D382,639 S	8/1997	Musgrave et al.	6,221,064 B1	4/2001	Nadal
D384,731 S	10/1997	Ramacier, Jr. et al.	6,231,089 B1	5/2001	DeCler et al.
5,681,062 A	10/1997	Fukao et al.	D444,054 S	6/2001	Bernard et al.
5,682,662 A	11/1997	Coules et al.	6,250,688 B1	6/2001	Kirby
5,683,117 A	11/1997	Corbett et al.	6,257,626 B1	7/2001	Campau
D387,147 S	12/1997	Vandermast et al.	6,260,851 B1	7/2001	Baron
5,692,783 A	12/1997	Watanabe et al.	6,261,282 B1	7/2001	Jepson et al.
5,695,223 A	12/1997	Boticki	6,293,596 B1	9/2001	Kinder
D388,876 S *	1/1998	Sampson D24/129	6,296,508 B1	10/2001	Kuwahara et al.
5,709,244 A	1/1998	Patriquin et al.	6,296,796 B1	10/2001	Gordon
5,725,258 A	3/1998	Kujawski	6,302,147 B1	10/2001	Rose et al.
5,737,810 A	4/1998	Krauss	6,318,764 B1	11/2001	Trede et al.
5,745,957 A	5/1998	Khokhar et al.	6,344,033 B1	2/2002	Jepson et al.
5,746,414 A	5/1998	Weldon et al.	6,382,593 B1	5/2002	deCler et al.
5,762,646 A	6/1998	Cotter	D459,206 S	6/2002	Caveney et al.
5,784,750 A	7/1998	Sankovic et al.	6,402,207 B1	6/2002	Segal et al.
5,799,987 A	9/1998	Sampson	6,422,574 B1	7/2002	Mooklar
5,820,614 A	10/1998	Erskine et al.	6,423,053 B1	7/2002	Lee
5,837,180 A	11/1998	Linder et al.	6,439,620 B1	8/2002	Guest
5,845,943 A	12/1998	Ramacier, Jr. et al.	6,454,314 B1	9/2002	Grosspietsch et al.
5,855,568 A	1/1999	Battiato et al.	6,481,758 B1	11/2002	Andre et al.
5,879,033 A	3/1999	Hansel et al.	6,481,759 B1	11/2002	Kawasaki et al.
5,882,047 A	3/1999	Ostrander et al.	6,485,064 B1	11/2002	Davidson
5,884,531 A	3/1999	Koenig	6,485,483 B1	11/2002	Fujii
D407,803 S	4/1999	Redman	6,497,433 B1	12/2002	Ketcham
5,897,142 A	4/1999	Kulevsky	6,505,866 B1	1/2003	Nakamura et al.
5,911,367 A	6/1999	McInerney	6,508,807 B1	1/2003	Peters
5,911,403 A	6/1999	deCler et al.	6,520,546 B2	2/2003	Szabo
5,911,404 A	6/1999	Cheng	D471,261 S	3/2003	Kozu
5,930,424 A	7/1999	Heimberger et al.	6,540,263 B1	4/2003	Sausner
5,937,501 A	8/1999	Imgram	6,543,745 B1	4/2003	Enerson
5,938,244 A	8/1999	Meyer	6,595,964 B2	7/2003	Finley et al.
5,941,577 A	8/1999	Musellec	6,609,696 B2	8/2003	Enerson
5,942,730 A	8/1999	Schwarz et al.	6,612,634 B1	9/2003	Zoppas
D413,967 S	9/1999	Yuen	6,626,419 B2	9/2003	deCler et al.
5,957,898 A	9/1999	Jepson et al.	6,626,465 B2	9/2003	Lacroix et al.
5,961,157 A	10/1999	Baron et al.	D481,125 S	10/2003	Hayamizu
5,964,485 A	10/1999	Hame et al.	6,641,177 B1	11/2003	Pinciario
5,965,077 A	10/1999	Rowley et al.	6,649,829 B2	11/2003	Garber et al.
5,975,489 A	11/1999	deCler et al.	6,652,007 B1	11/2003	Hwang
5,984,378 A	11/1999	Ostrander et al.	D484,241 S	12/2003	Peters et al.
5,988,704 A	11/1999	Ryhman	6,669,681 B2	12/2003	Jepson et al.
6,012,743 A	1/2000	Godeau et al.	6,676,172 B2	1/2004	Alksnis
6,015,171 A	1/2000	Schorn	D486,909 S	2/2004	Cise et al.
D419,861 S	2/2000	Khokhar	6,688,654 B2	2/2004	Romero
6,019,348 A	2/2000	Powell	6,692,038 B2	2/2004	Braun
6,024,124 A	2/2000	Braun et al.	6,695,817 B1	2/2004	Fangrow, Jr.
6,029,701 A	2/2000	Chaffardon et al.	6,705,591 B2	3/2004	deCler
6,032,691 A	3/2000	Powell et al.	D488,866 S *	4/2004	O'Dell D24/129
6,041,805 A	3/2000	Gydesen et al.	6,722,705 B2	4/2004	Korkor
D422,487 S	4/2000	Khokhar	6,722,708 B2	4/2004	Morohoshi et al.
6,050,297 A	4/2000	Ostrowski et al.	6,762,365 B2	7/2004	Inoue et al.
6,076,234 A	6/2000	Khokhar et al.	6,767,017 B2	7/2004	Crapart et al.
6,077,245 A	6/2000	Heinrich et al.	D495,050 S	8/2004	Guala
6,077,259 A	6/2000	Caizza et al.	6,783,520 B1	8/2004	Candray et al.
6,082,401 A	7/2000	Braun et al.	D497,428 S	10/2004	Hayamizu
6,086,044 A	7/2000	Guest	6,799,747 B1	10/2004	Lai
6,089,540 A	7/2000	Heinrichs et al.	D498,533 S	11/2004	Hayamizu
6,099,045 A	8/2000	Pirona	6,814,726 B1	11/2004	Lauer
6,112,855 A	9/2000	Camacho et al.	6,840,277 B1	1/2005	Nimberger
6,123,690 A	9/2000	Mejslov	6,846,021 B2	1/2005	Rohde et al.
6,135,150 A	10/2000	Powell et al.	6,848,602 B2	2/2005	deCler et al.
6,135,992 A	10/2000	Wang	6,848,723 B2	2/2005	Lamich
6,142,538 A	11/2000	Volgstadt et al.	6,863,314 B2	3/2005	Guest
6,145,896 A	11/2000	Vitel et al.	6,871,669 B2	3/2005	Meyer et al.
6,152,914 A	11/2000	Van De Kerkhof et al.	6,871,878 B2	3/2005	Miros
			D503,778 S	4/2005	Wicks
			6,886,803 B2	5/2005	Mikiya et al.
			6,897,374 B2	5/2005	Garber et al.
			6,899,315 B2	5/2005	Maiville et al.

(56)

References Cited

U.S. PATENT DOCUMENTS

D507,647 S	7/2005	Beck et al.	D613,853 S	4/2010	Ng et al.
6,916,007 B2	7/2005	deCler et al.	7,695,020 B2	4/2010	Schmidt
6,916,050 B2	7/2005	Milhas	7,708,025 B2	5/2010	Johnson
6,926,311 B2	8/2005	Chang et al.	7,731,244 B2	6/2010	Miros et al.
6,929,246 B2	8/2005	Arzenton et al.	D619,706 S	7/2010	Schon et al.
6,945,273 B2	9/2005	Reid	7,753,415 B2	7/2010	Tiberghien et al.
6,949,084 B2	9/2005	Marggi et al.	7,770,939 B2	8/2010	Jensen et al.
6,962,275 B2	11/2005	deCler et al.	7,806,139 B2	10/2010	Packham et al.
6,978,800 B2	12/2005	deCler et al.	7,841,357 B2	11/2010	Rankin
6,981,547 B2	1/2006	Maguire et al.	D629,894 S	12/2010	Lombardi, III et al.
6,997,486 B2	2/2006	Milhas	7,849,877 B2	12/2010	Tan et al.
6,997,919 B2	2/2006	Olsen et al.	D630,320 S	1/2011	Lombardi, III et al.
7,005,581 B2	2/2006	Burnette	D632,783 S	2/2011	Maesarapu
7,011,342 B2	3/2006	Guivarc'h et al.	7,878,553 B2	2/2011	Wicks et al.
7,014,214 B2	3/2006	Kaneko	D634,840 S	3/2011	Lombardi, III et al.
D522,109 S	5/2006	White et al.	D639,398 S	6/2011	Wilhelm
7,040,670 B2	5/2006	Madden	7,954,374 B2	6/2011	Rankin
7,044,161 B2	5/2006	Tiberghien	7,954,515 B2	6/2011	Gerst
7,044,506 B2	5/2006	Dong	D642,244 S	7/2011	Wilhelm
D523,553 S *	6/2006	Beck D24/111	7,976,071 B2	7/2011	Bibby
7,080,665 B2	7/2006	Whall	D645,547 S	9/2011	Lombardi, III et al.
7,081,223 B2	7/2006	Khoury	D649,240 S *	11/2011	Lewis D24/129
7,108,297 B2	9/2006	Takayanagi et al.	D650,478 S	12/2011	Lewis
7,118,138 B1	10/2006	Rowley et al.	D652,510 S	1/2012	Lombardi, III et al.
7,128,348 B2	10/2006	Kawamura et al.	D652,511 S	1/2012	Lombardi, III et al.
7,137,654 B2	11/2006	Segal et al.	D654,573 S	2/2012	Lombardi et al.
7,140,592 B2	11/2006	Phillips	8,113,546 B2	2/2012	Jensen et al.
7,147,252 B2	12/2006	Teuscher et al.	D659,393 S	5/2012	Hermann
7,150,478 B2	12/2006	Poirier et al.	D663,022 S	7/2012	Lombardi, III et al.
7,153,296 B2	12/2006	Mitchell	8,235,426 B2	8/2012	Pisula, Jr. et al.
7,163,022 B2	1/2007	Whall	8,397,758 B2	3/2013	Hillesheim et al.
D540,944 S	4/2007	Guala	D699,840 S *	2/2014	Lombardi, III D24/129
7,210,917 B2	5/2007	Lai et al.	D701,304 S *	3/2014	Lair D24/129
D547,446 S	7/2007	Racz et al.	D707,355 S *	6/2014	Bow D24/129
D550,355 S	9/2007	Racz et al.	D728,780 S *	5/2015	Pieroni D24/112
D557,409 S	12/2007	Veliss et al.	D749,723 S *	2/2016	Chauvette D24/129
7,316,428 B2	1/2008	Takayanagi et al.	D756,512 S *	5/2016	Oberlaender D24/133
D564,660 S	3/2008	Hayashi	D771,806 S *	11/2016	Steele D24/129
7,343,931 B2	3/2008	Packham	D773,658 S *	12/2016	Bow D24/129
D567,340 S	4/2008	Tiberghien	D773,659 S *	12/2016	Cain D24/129
7,352,771 B2	4/2008	Garber	2001/0017466 A1	8/2001	Braun
D569,507 S	5/2008	Blanchard	2002/0022762 A1	2/2002	Beane et al.
D569,955 S	5/2008	Chen	2002/0093192 A1	7/2002	Matkovich
7,377,553 B2	5/2008	Takayanagi	2002/0140172 A1	10/2002	Platusich
D570,457 S	6/2008	Brown	2002/0156344 A1	10/2002	Pasricha et al.
7,390,029 B2	6/2008	Matsubara	2002/0185861 A1	12/2002	Inoue et al.
7,394,375 B2	7/2008	Johnson	2003/0004397 A1	1/2003	Kameya et al.
7,434,842 B2	10/2008	Schmidt	2003/0067162 A1	4/2003	Welsh et al.
7,434,846 B2	10/2008	Baumgartner	2003/0230894 A1	12/2003	Cleveland et al.
7,448,653 B2	11/2008	Jensen et al.	2004/0021318 A1	2/2004	Fritze et al.
7,464,970 B2	12/2008	Yamada et al.	2004/0056484 A1	3/2004	Kwon et al.
7,467,813 B2	12/2008	Gunderson	2004/0094903 A1	5/2004	Sutherland
7,469,472 B2	12/2008	deCler et al.	2004/0195830 A1	10/2004	Gilmour
7,478,840 B2	1/2009	Youssefifar	2004/0199143 A1	10/2004	Lauer
7,488,446 B2	2/2009	Meyer et al.	2004/0227346 A1	11/2004	Jamison et al.
7,494,156 B2	2/2009	Okada	2004/0232696 A1	11/2004	Andre
7,503,595 B2	3/2009	McKay	2005/0033237 A1	2/2005	Fentress et al.
7,516,990 B2	4/2009	Jamison et al.	2005/0046184 A1	3/2005	Chang et al.
7,546,857 B2	6/2009	Chadbourne et al.	2005/0056121 A1	3/2005	Lyman
7,547,047 B2	6/2009	deCler et al.	2005/0057042 A1	3/2005	Wicks
D595,845 S	7/2009	Miras et al.	2005/0082828 A1	4/2005	Wicks et al.
D595,846 S	7/2009	Racz et al.	2005/0087981 A1	4/2005	Yamada et al.
D596,288 S	7/2009	Racz et al.	2005/0209583 A1	9/2005	Powers et al.
D596,739 S	7/2009	Ng et al.	2005/0217265 A1	10/2005	Popp et al.
7,562,906 B2	7/2009	Schmidt	2005/0242579 A1	11/2005	Bright et al.
7,566,077 B2	7/2009	Tsurumi	2005/0275220 A1	12/2005	Shu
7,581,763 B2	9/2009	Salomon-Bahls	2006/0066100 A1	3/2006	Nakashima et al.
D602,128 S	10/2009	Williams et al.	2006/0128180 A1	6/2006	Gammons
7,614,666 B2	11/2009	Eggert et al.	2006/0135666 A1	6/2006	Bueno de Almeida et al.
7,631,660 B2	12/2009	deCler et al.	2006/0152003 A1	7/2006	Slunick et al.
7,647,954 B2	1/2010	Garber et al.	2006/0202146 A1	9/2006	Doyle
7,666,178 B2	2/2010	McMichael	2006/0264814 A1	11/2006	Sage
D612,019 S	3/2010	Williams et al.	2006/0293629 A1	12/2006	Cote et al.
D612,021 S	3/2010	Schmidt	2007/0025811 A1	2/2007	Wilhelm
7,677,608 B2	3/2010	Takayanagi	2007/0029795 A1	2/2007	Moner et al.
			2007/0029796 A1	2/2007	Bibby
			2007/0106213 A1	5/2007	Spera et al.
			2007/0137718 A1	6/2007	Rushlander et al.
			2007/0169825 A1	7/2007	Packham et al.

(56)

References Cited

U.S. PATENT DOCUMENTS

2007/0209716 A1 9/2007 Rankin
 2007/0284875 A1 12/2007 Salomon-Bahls et al.
 2008/0007051 A1 1/2008 Jensen et al.
 2008/0011703 A1 1/2008 Schmeisser et al.
 2008/0012314 A1 1/2008 Harger et al.
 2008/0018105 A1 1/2008 Le Bars
 2008/0048448 A1 2/2008 Jamison et al.
 2008/0078464 A1 4/2008 Loewe
 2008/0111371 A1 5/2008 Feger et al.
 2008/0111372 A1 5/2008 Trede et al.
 2008/0129047 A1 6/2008 Blivet et al.
 2008/0164694 A1 7/2008 Zdroik et al.
 2008/0191466 A1 8/2008 Knipple et al.
 2008/0200901 A1 8/2008 Rasmussen et al.
 2008/0277923 A1 11/2008 Brandt et al.
 2008/0277924 A1 11/2008 Jensen et al.
 2008/0284167 A1 11/2008 Lim et al.
 2008/0287920 A1 11/2008 Fangrow et al.
 2009/0079187 A1 3/2009 Malone
 2009/0127847 A1 5/2009 Hagen et al.
 2009/0129047 A1 5/2009 Park et al.
 2009/0140519 A1 6/2009 Pavnaskar et al.
 2009/0167018 A1 7/2009 Lien
 2009/0187166 A1 7/2009 Young
 2009/0188575 A1 7/2009 Williams et al.
 2009/0256355 A1 10/2009 Wicks et al.
 2010/0056975 A1 3/2010 Dale et al.
 2010/0276922 A1 11/2010 Render et al.
 2010/0295295 A1 11/2010 Schmidt
 2010/0301599 A1 12/2010 Jensen et al.
 2010/0319796 A1 12/2010 Whitaker
 2011/0012340 A1 1/2011 Packham et al.
 2011/0127767 A1 6/2011 Wicks et al.
 2011/0204621 A1 8/2011 Whitaker et al.
 2011/0204622 A1 8/2011 Lewis et al.
 2011/0210541 A1 9/2011 Lewis et al.
 2012/0031515 A1 2/2012 Whitaker
 2012/0068457 A1 3/2012 Pisula, Jr. et al.
 2012/0299290 A1 11/2012 Pisula, Jr. et al.
 2012/0299296 A1 11/2012 Lombardi

FOREIGN PATENT DOCUMENTS

DE 3439522 8/1985
 DE 3533000 3/1987
 DE 4122455 1/1993
 DE 4138064 5/1993
 DE 19800050 7/1998
 DE 102005015343 10/2006
 EP 0360634 3/1990
 EP 0390746 10/1990
 EP 0267067 7/1991
 EP 0482277 4/1992
 EP 0592823 4/1994
 EP 0715111 6/1996
 EP 0865779 9/1998
 EP 0877891 11/1998
 EP 0890054 1/1999
 EP 0982525 3/2000
 EP 1497582 1/2005
 EP 1564469 8/2005
 EP 1843074 10/2007
 FR 2031965 11/1970
 FR 2429370 1/1980
 FR 280871 10/2001
 FR 2853043 10/2004
 FR 2870921 12/2005
 FR 2903164 1/2008
 GB 583459 12/1946
 GB 890775 3/1962
 GB 2177769 1/1987
 GB 2218166 11/1989
 GB 2271157 4/1994
 GB 2379253 3/2003
 JP 53-006918 1/1978

JP 5-223189 8/1993
 JP 7-145889 6/1995
 JP 10-169869 6/1998
 JP 11-82849 3/1999
 JP 2003-42363 2/2003
 JP 2003-42368 2/2003
 JP 6-512540 4/2006
 WO 93/17270 9/1993
 WO 95/08732 3/1995
 WO 00/79172 12/2000
 WO 2004/027269 4/2004
 WO 2004/104466 12/2004
 WO 2005/064216 7/2005
 WO 2006/031958 3/2006
 WO 2006/073778 7/2006
 WO 2006/084171 8/2006
 WO 2006/135666 12/2006
 WO 2007/038222 4/2007
 WO 2007/116387 10/2007
 WO 2007/120620 10/2007
 WO 2008/023021 2/2008
 WO 2009/026441 2/2009

OTHER PUBLICATIONS

Barbed Tee Adapter, 1/2 in to 3/8 in to 1/2 in [Item # F1728], http://www.horticulturresource.com/product_info.php/products_id/4016/language/en; dated accessed Sep. 14, 2009, 3 pages.
 Brochure, "Precision Components", Value Plastics, Inc., 2002, 132 pages.
 Capabilities [online], Jay Manufacturing Corp., retrieved on Apr. 9, 2010, retrieved from the Internet: <URL: <http://www.jaymfg.com/capabilities.htm>>, 2 pages.
 Flojet "Quick Connect" Port System Adapter 90 Elbow Type Quad Port X 1/2" Hose Barb, http://www.amazon.com/Quick-Connect-Port-System-Quad-Barb-90/dp/B000OAZ771/ref=sr_1_16?s=sporting-goods&ie=UTF&qid=1300220596&sr=1-16, date accessed Sep. 14, 2009; 3 pages.
 High-Flow Quick Disconnect Couplings; http://www.coleparmer.com/catalog/product_view.asp?sku=3130355; date accessed Sep. 14, 2009, 3 pages.
 Mills, The Process of Vacuum-forming Plastic Parts, IPFrontline.com [online], retrieved on Apr. 9, 2010, retrieved from the Internet: <URL: <http://www.ipfrontline.com/depts/article.asp?id=453&deptid=2>>, 3 pages.
 Nylon, Polypropylene Kynar (PVDF) Plastic Fittings for Flexible Tubing & Hose, http://www.omega.com/pdf/tubing/fittings_tubing_hose/nylon_poly_kynar/nylon.asp; dated accessed Sep. 14, 2009, 2 pages.
 Science of Hose Barbs, Colder Products Company, <http://www.pddnet.com/article-the-science-of-hose-barbs/>, date accessed Sep. 4, 2009, 6 pages.
 Stackable Hose Barb Elbow—1/2" CTS x 1/2 ID Barb, http://www.freshwatersystems.com/p-1714-stackable-hose-barb-elbow-12-cts-x-12-id-barb.aspx?affiliated=10052&utm_source=shopzilla&utm_medium=Feed&utm_campaign=Product&utm_term=3512-1008, date accessed Sep. 14, 2009, 1 page.
 Stainless Steel Overview: History [online], Stainless Steel Industry of North America, retrieved on Apr. 9, 2010, retrieved from the Internet: <URL: <http://www.ssina.com/overview/historv.html>>, 1 page.
 International Application No. PCT/US2010/061896: Search Report and Written Opinion dated May 23, 2011, 11 pages.
 European Application No. 10803324.2-1662: European Search Report mailed Jul. 25, 2014, 5 pages.
 International Application No. 2012-54621 O : Japanese Office Action dated Jul. 9, 2014, for 13 pages.
 Singapore Application No. 2014/350822389P : Singapore Office Action dated Oct. 16, 2014, 11 pages.
 Chinese Patent Application No. 201080063938.8: Office Action dated May 14, 2015; 11 pages.

(56)

References Cited

OTHER PUBLICATIONS

Japanese Patent Application No. 2012-546210 ,, “Decision of Refusal dated Jul. 15, 2015”, 6 pages.

* cited by examiner

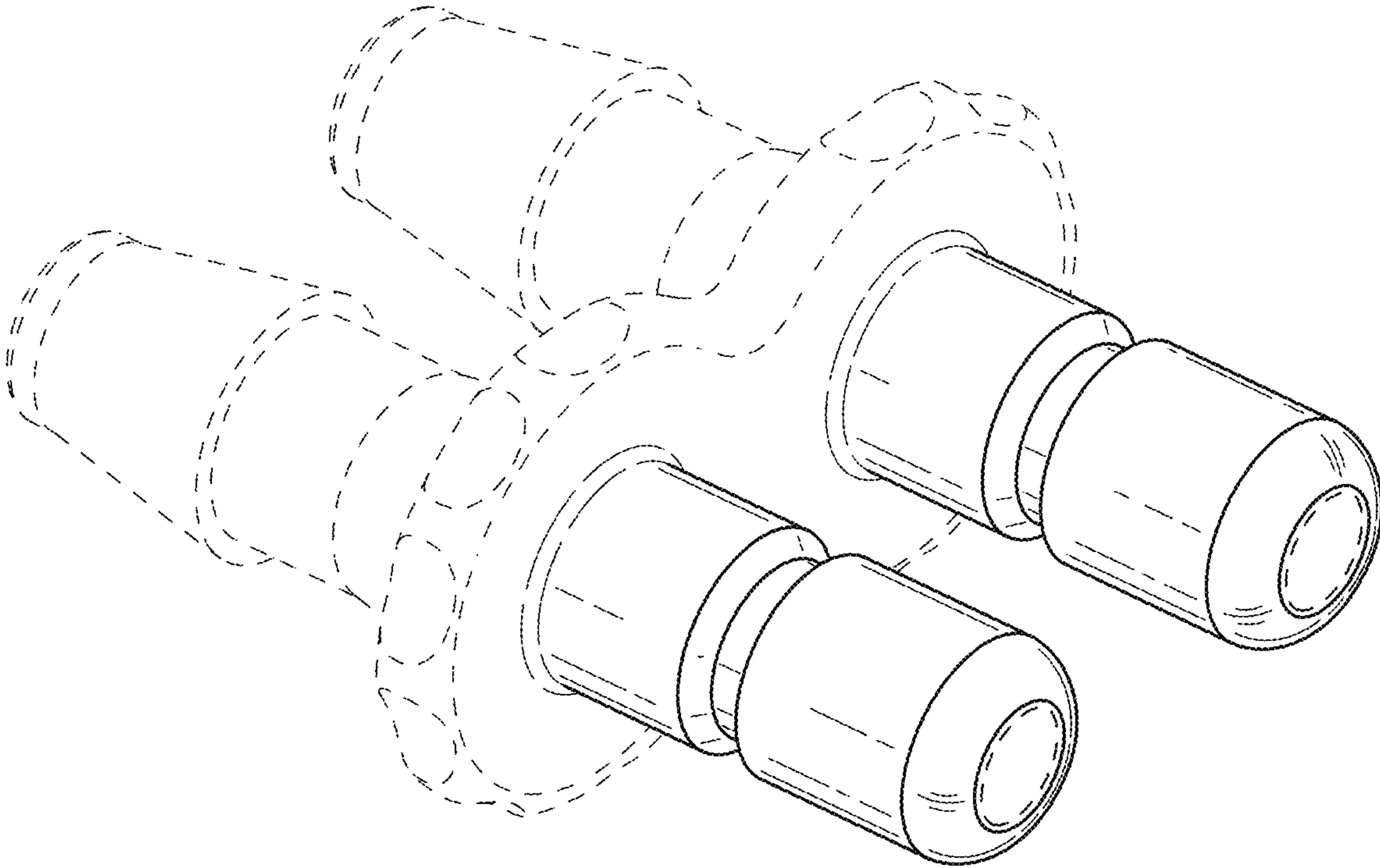


FIG.1

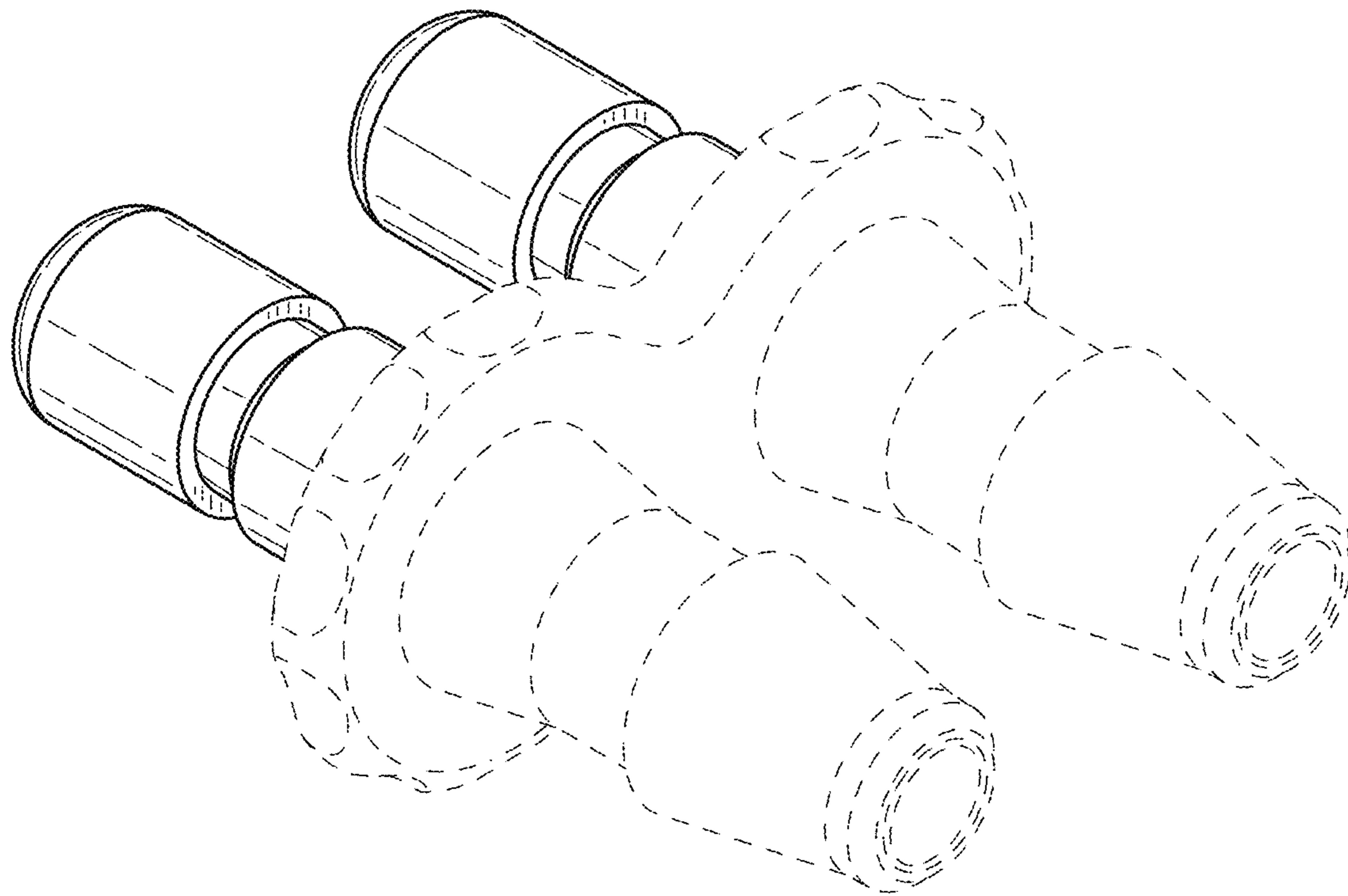


FIG.2

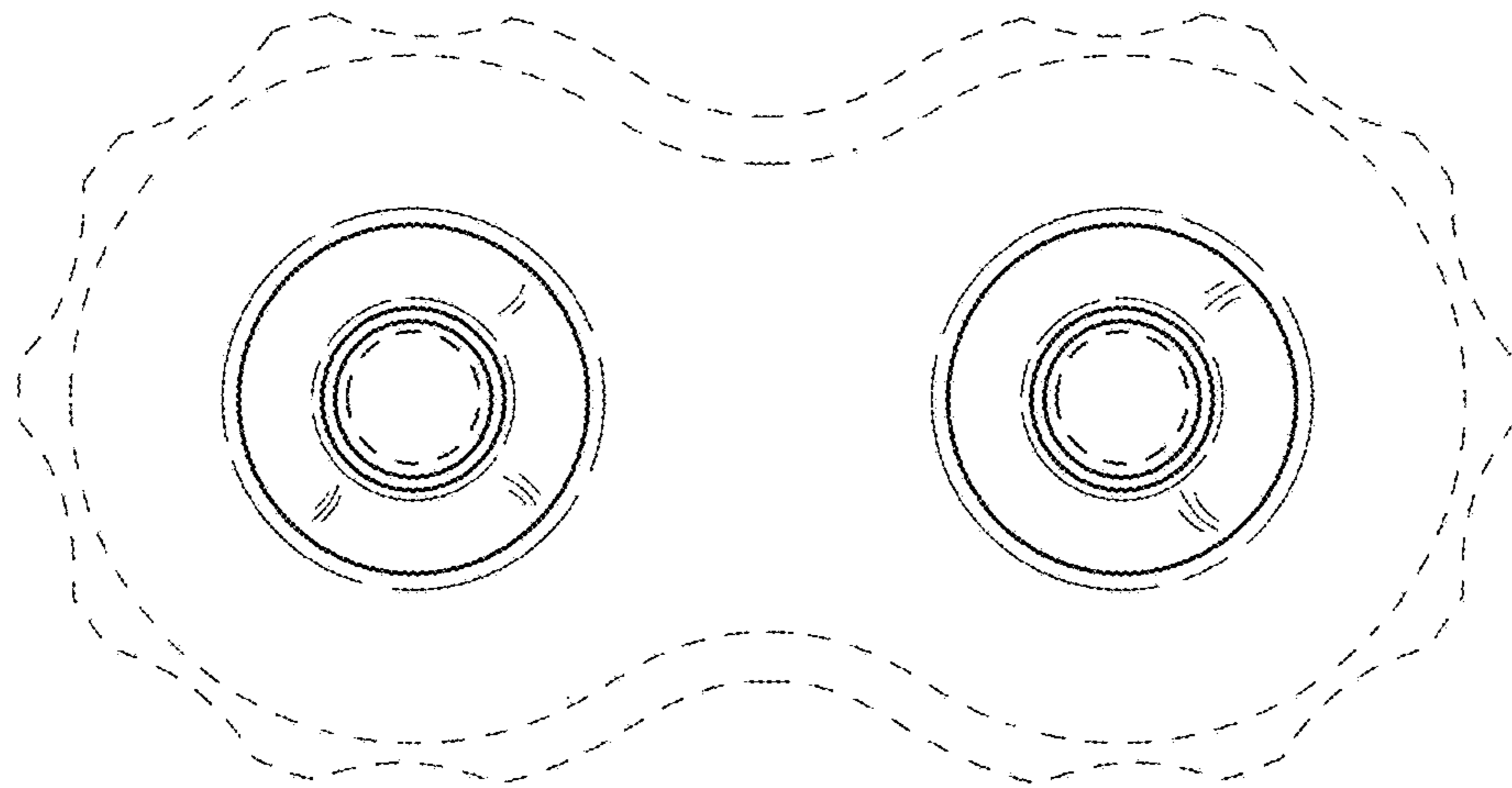


FIG.3

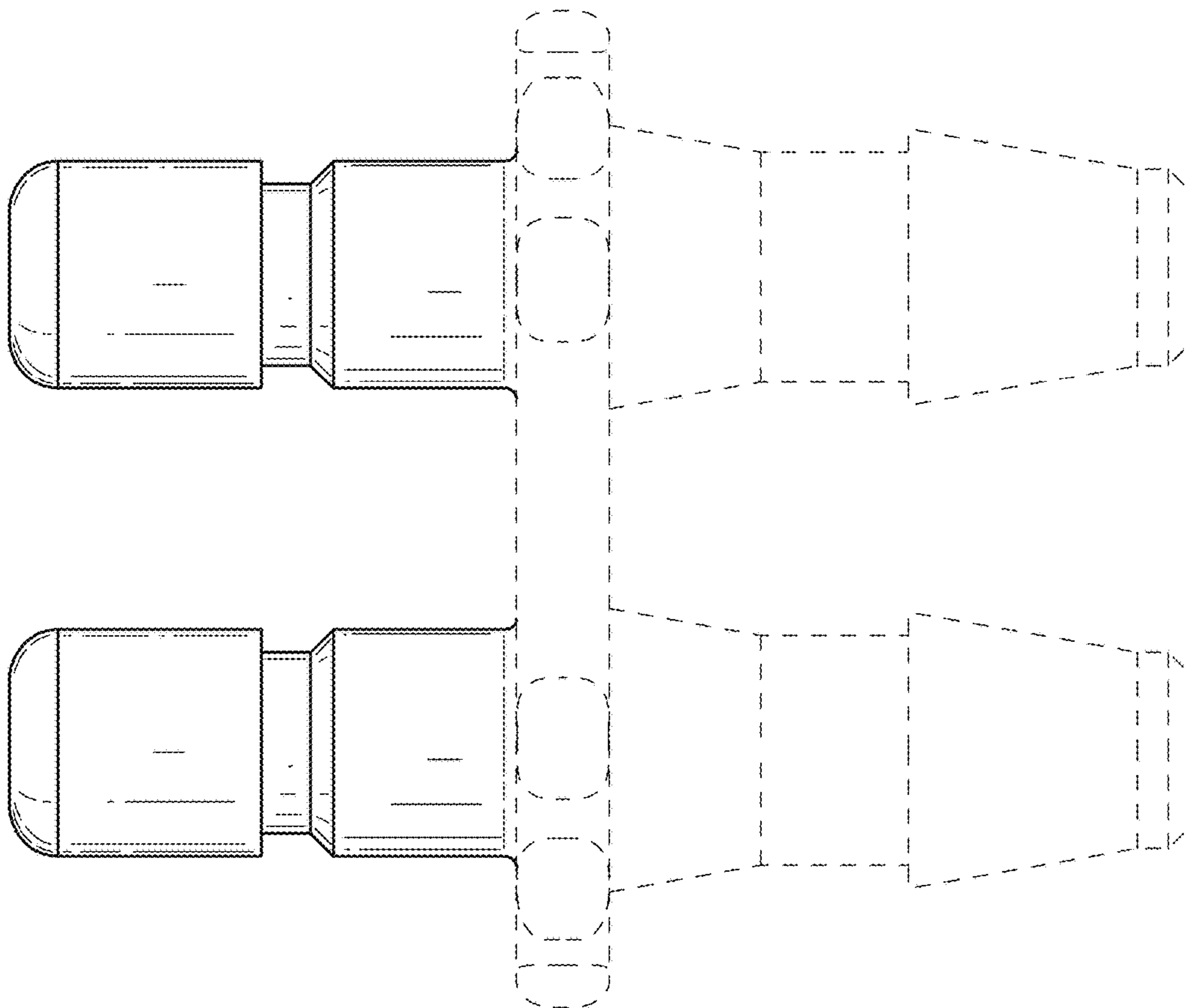


FIG.4

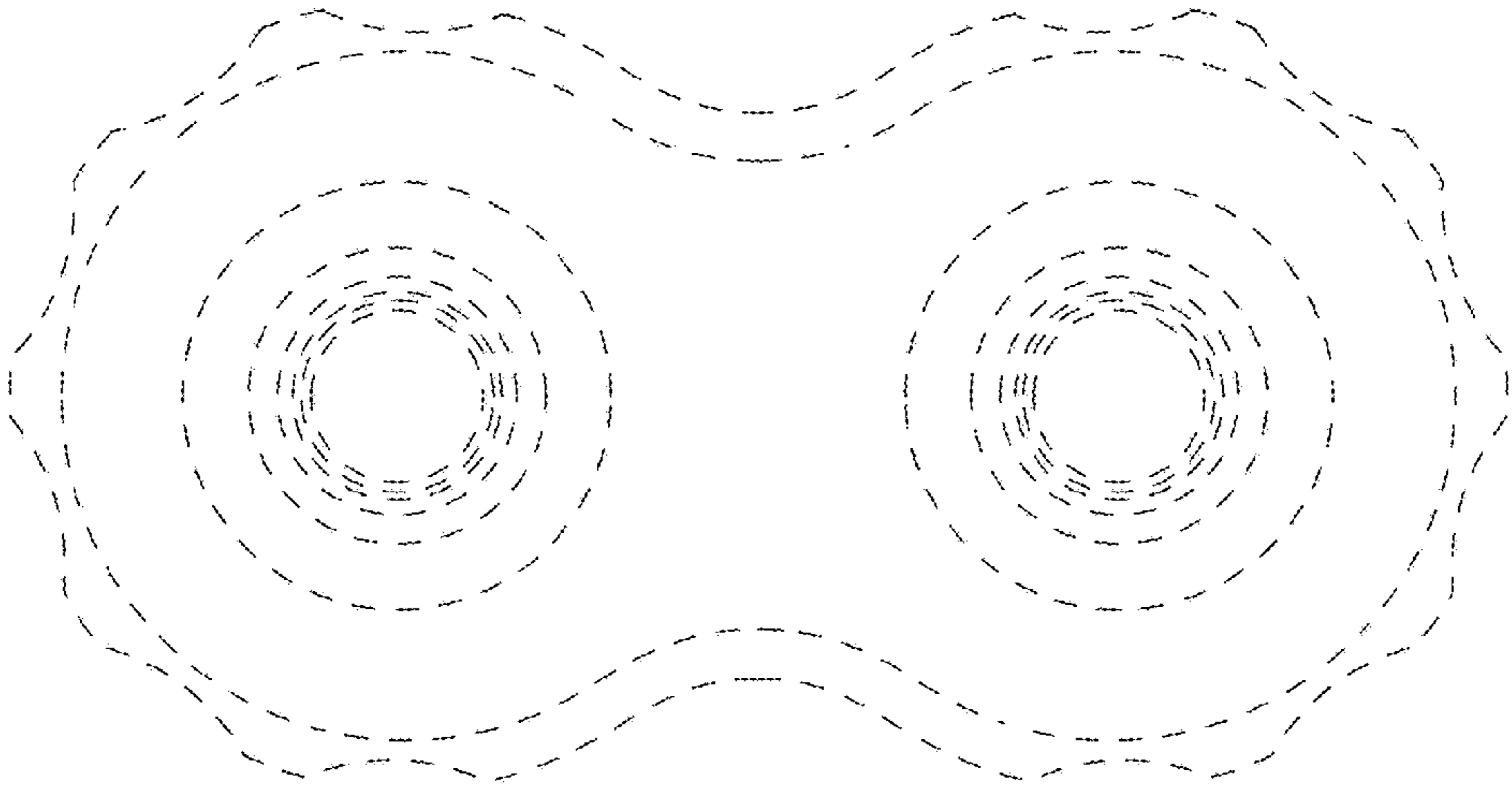


FIG.5

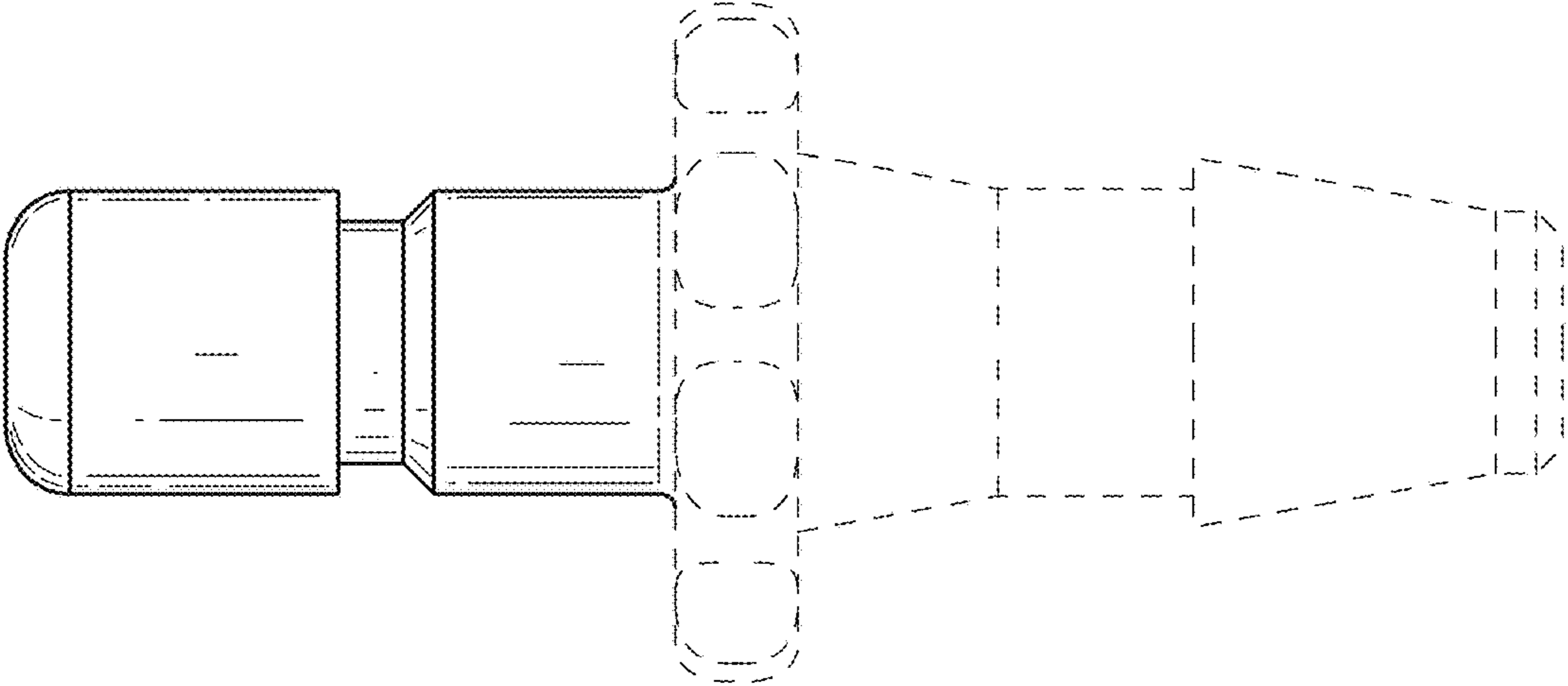


FIG.6

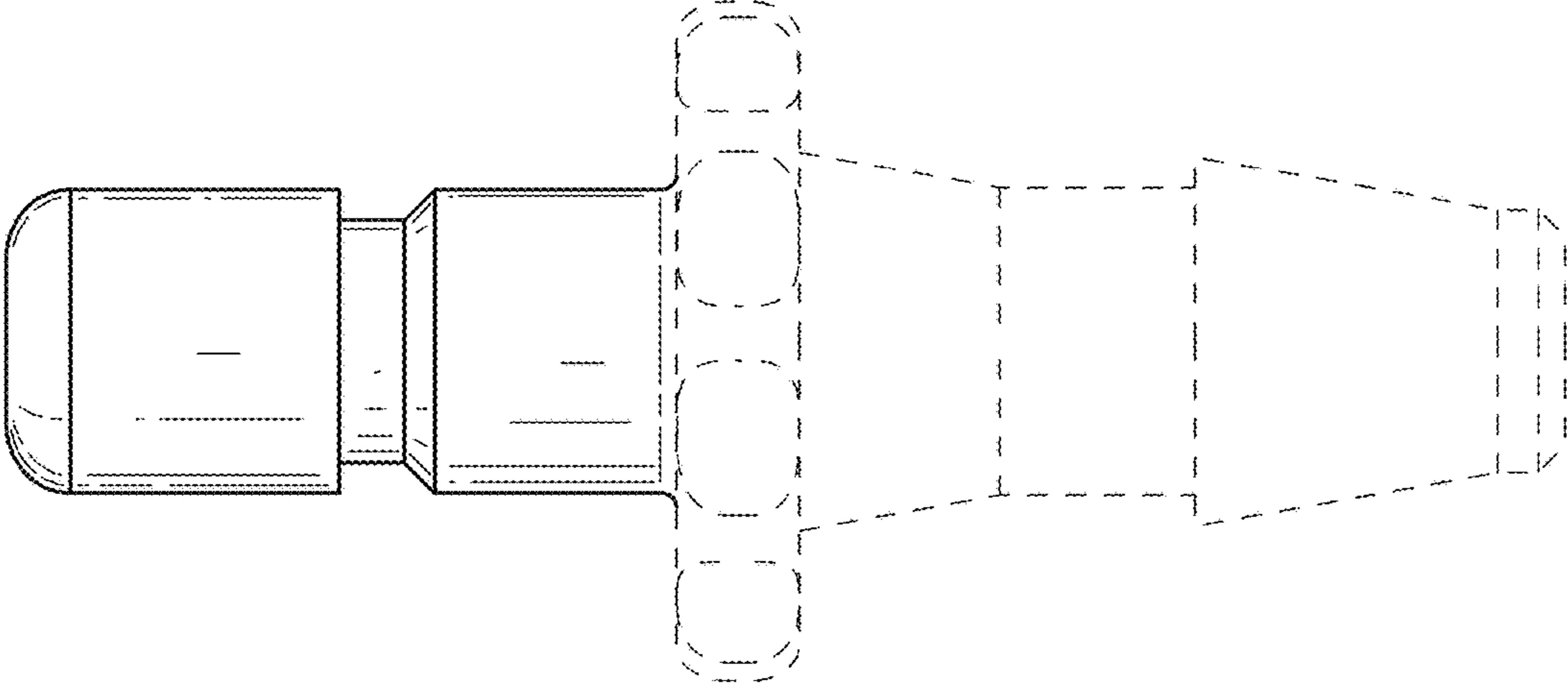


FIG.7

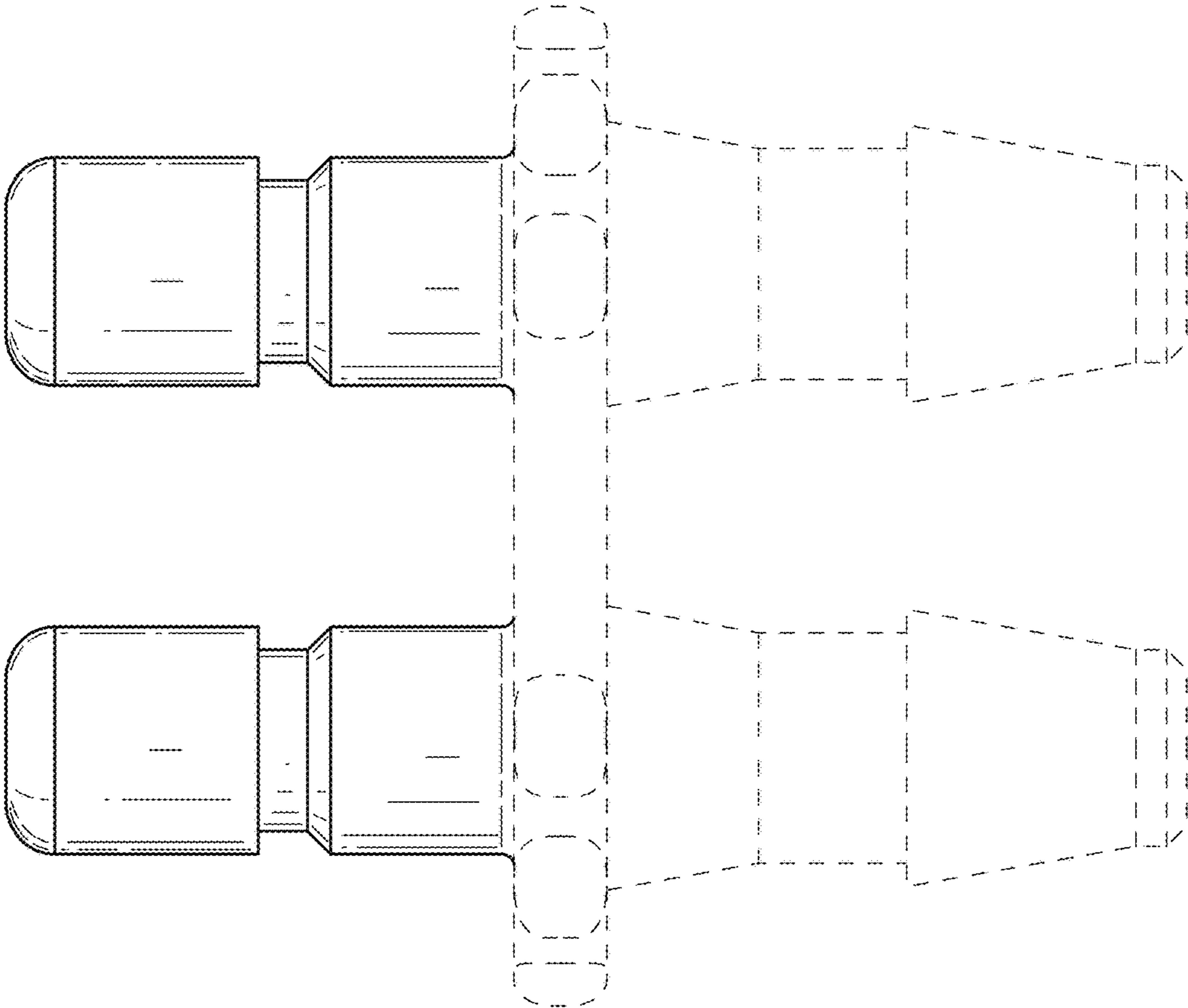


FIG.8