



US00D785789S

(12) **United States Design Patent** (10) **Patent No.:** **US D785,789 S**  
**Turturro et al.** (45) **Date of Patent:** **\*\* May 2, 2017**

- (54) **CONNECTOR**
- (71) Applicant: **Medline Industries, Inc.**, Northfield, IL (US)
- (72) Inventors: **Michael Turturro**, Chicago, IL (US);  
**Gail Gewirtz**, Northbrook, IL (US);  
**Craig Claussen**, Schaumburg, IL (US);  
**Christopher Schall**, Lake Villa, IL (US)
- (73) Assignee: **Medline Industries, Inc.**, Northfield, IL (US)

- D321,251 S 10/1991 Jepson
- D327,318 S 6/1992 Dudar
- D381,911 S 8/1997 Lathrop
- 5,810,167 A 9/1998 Fujii
- D425,677 S \* 5/2000 Williamson ..... D32/25
- D427,308 S \* 6/2000 Zinger ..... D24/129
- 6,585,229 B2 \* 7/2003 Cote, Sr. .... A61M 39/02  
251/149.1
- 6,595,964 B2 \* 7/2003 Finley ..... A61M 39/045  
251/149.1
- D495,416 S \* 8/2004 Dimeo ..... A61J 1/2096  
D24/108
- D630,318 S 1/2011 Goodwin  
(Continued)

- (\*\*) Term: **15 Years**
- (21) Appl. No.: **29/548,745**
- (22) Filed: **Dec. 16, 2015**

**Related U.S. Application Data**

- (62) Division of application No. 29/473,719, filed on Nov. 25, 2013, now Pat. No. Des. 746,446.
- (51) **LOC (10) Cl.** ..... **24-02**
- (52) **U.S. Cl.**  
USPC ..... **D24/129**
- (58) **Field of Classification Search**  
USPC ..... D24/127-131, 112-114, 133, 186;  
606/181, 185; 604/264, 272, 115, 232,  
604/187, 158, 164.08, 192, 263, 163, 181,  
604/184, 198, 227; 600/101, 139, 143;  
128/200.24, 207.14, 207.15  
CPC ..... A61M 39/14  
See application file for complete search history.

(56) **References Cited**

**U.S. PATENT DOCUMENTS**

- 3,589,983 A 6/1971 Holderith
- D239,020 S 3/1976 Manschot
- 3,987,930 A 10/1976 Fuson
- D298,605 S 11/1988 Colgan

**OTHER PUBLICATIONS**

Connector believed to be made by Cedic SRL in Peschiera Borromeo, Milan, Italy presently believed to be publicly available at least as of Aug. 2013.

*Primary Examiner* — David Muller

*Assistant Examiner* — Nathan Johnston

(74) *Attorney, Agent, or Firm* — Fitch, Even, Tabin & Flannery LLP

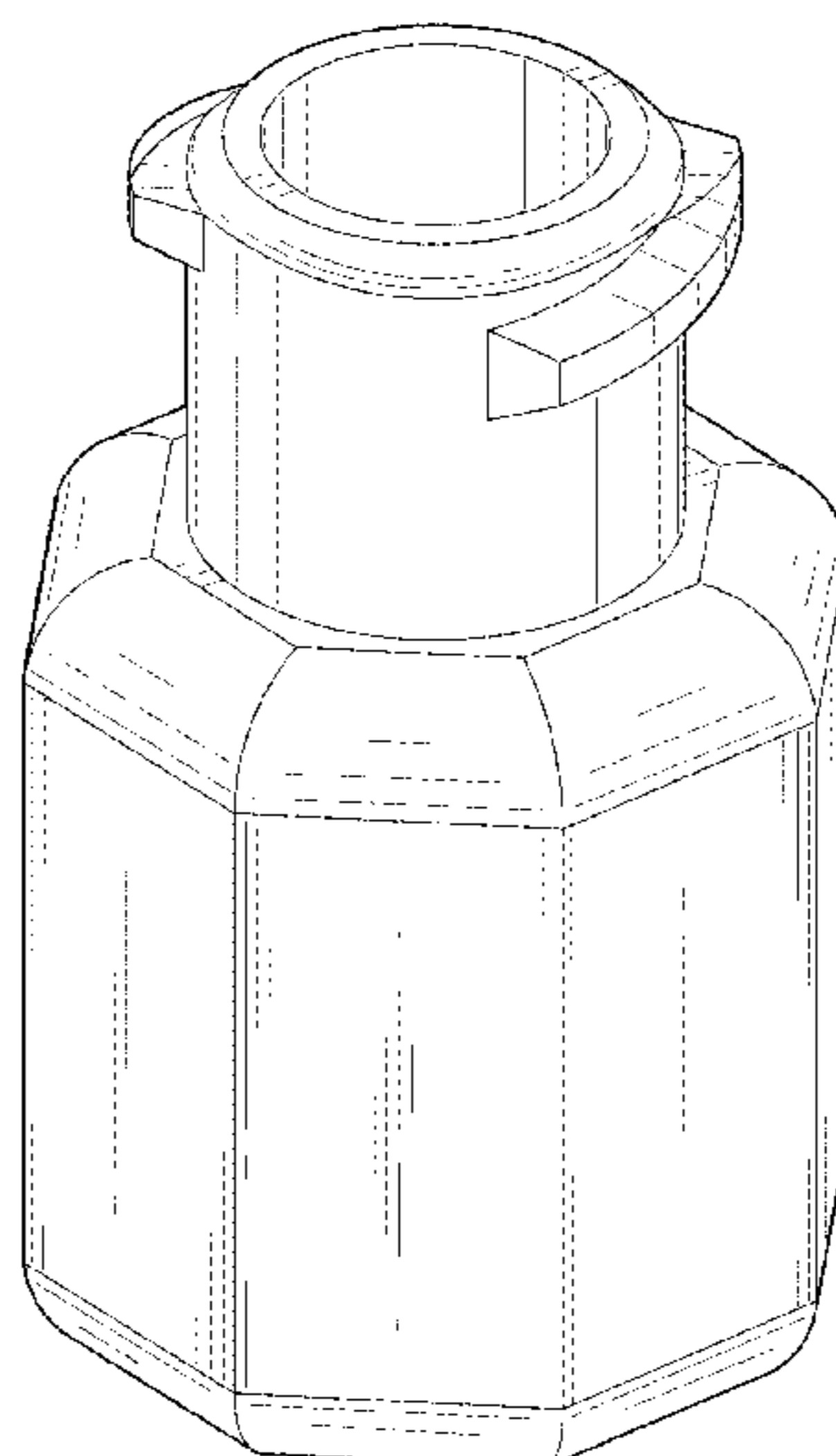
(57) **CLAIM**

We claim the ornamental design for a connector, as shown and described.

**DESCRIPTION**

FIG. 1 is a perspective view of a connector in accordance with our new design;  
FIG. 2 is a front elevation view thereof, the rear elevation view being identical;  
FIG. 3 is a right side elevation view thereof, the left side elevation view being identical;  
FIG. 4 is a top plan view thereof;  
FIG. 5 is a bottom plan view thereof; and,  
FIG. 6 is a cross-sectional view illustrating the profile taken through line 12-12 as shown in FIG. 2.

**1 Claim, 5 Drawing Sheets**



(56)

**References Cited**

U.S. PATENT DOCUMENTS

8,062,267 B2 \* 11/2011 McKinnon ..... A61M 39/045  
604/201  
D674,088 S \* 1/2013 Lev ..... D24/129  
8,372,059 B2 2/2013 Ziman  
8,409,145 B2 \* 4/2013 Raymond ..... A61M 5/14244  
604/157  
D691,261 S 10/2013 Kawamura  
D703,519 S \* 4/2014 Senseney ..... D8/382  
D708,946 S \* 7/2014 Hutchison ..... D9/447  
8,905,994 B1 \* 12/2014 Lev ..... A61J 1/2089  
141/330  
D734,868 S \* 7/2015 Gilboa ..... D24/231  
D746,446 S 12/2015 Turturro  
D750,775 S \* 3/2016 Carrel ..... D24/130  
2012/0271246 A1 10/2012 Guala  
2013/0012881 A1 1/2013 Lacy

\* cited by examiner

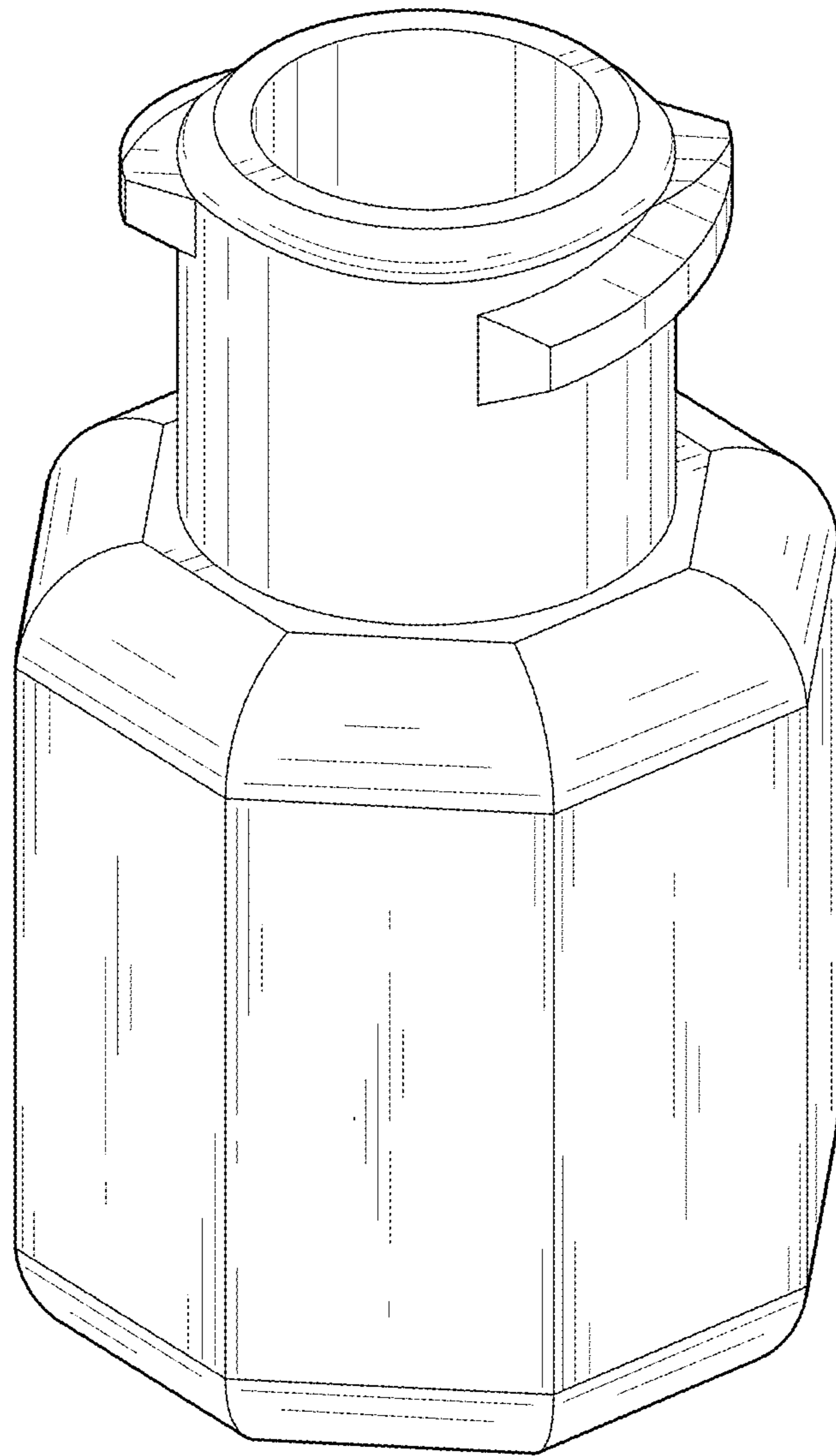


FIG. 1

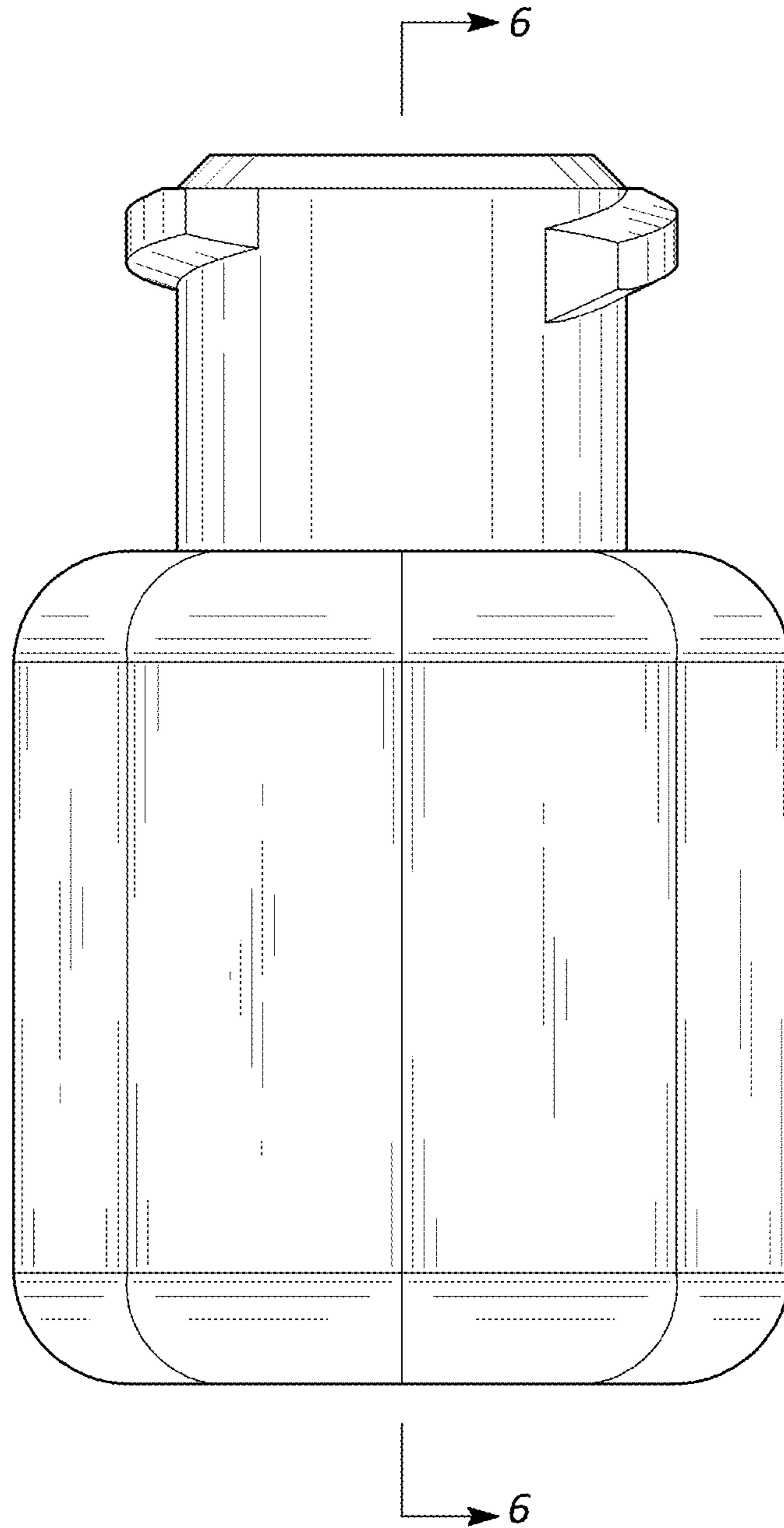


FIG. 2

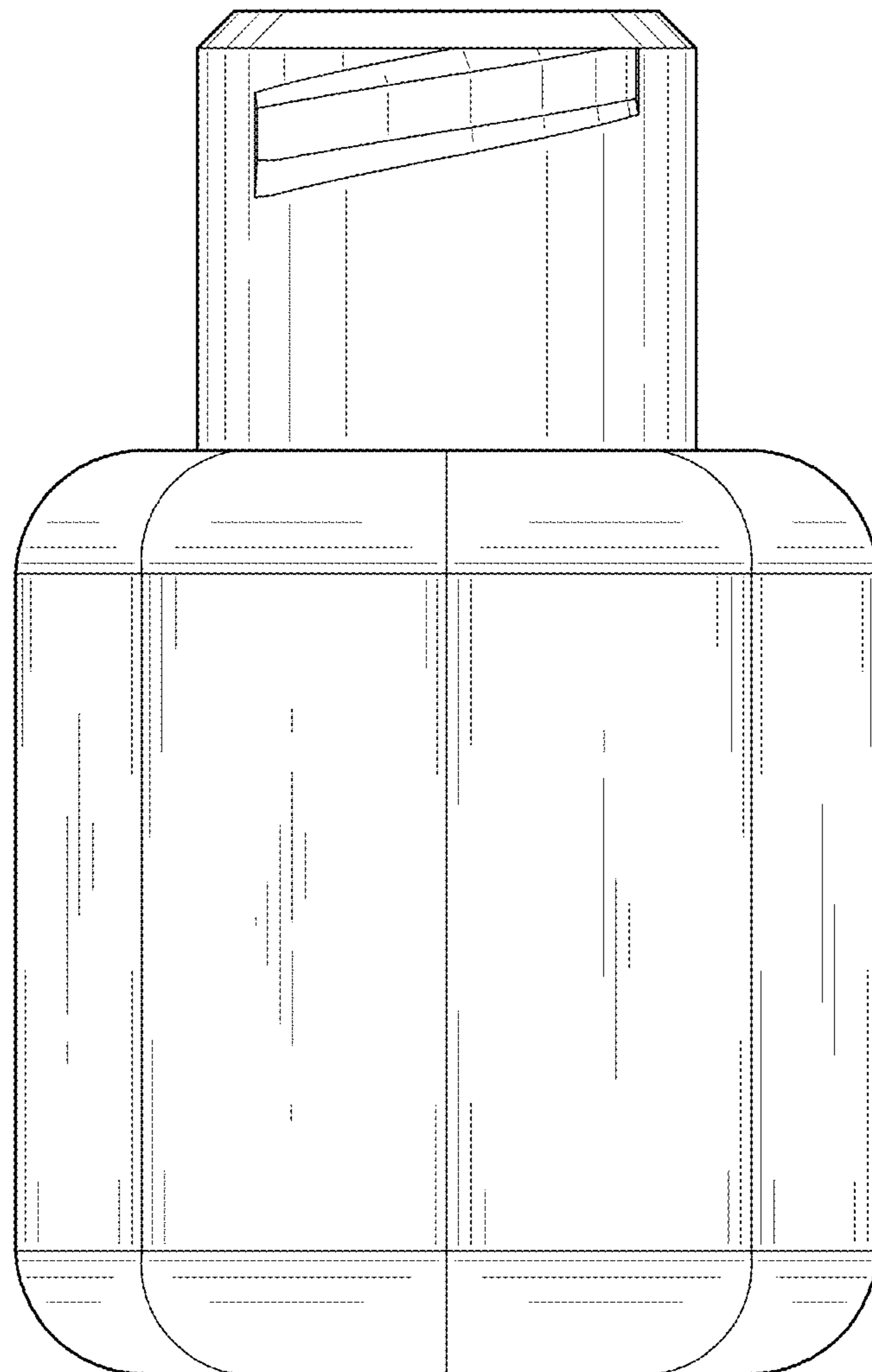


FIG. 3

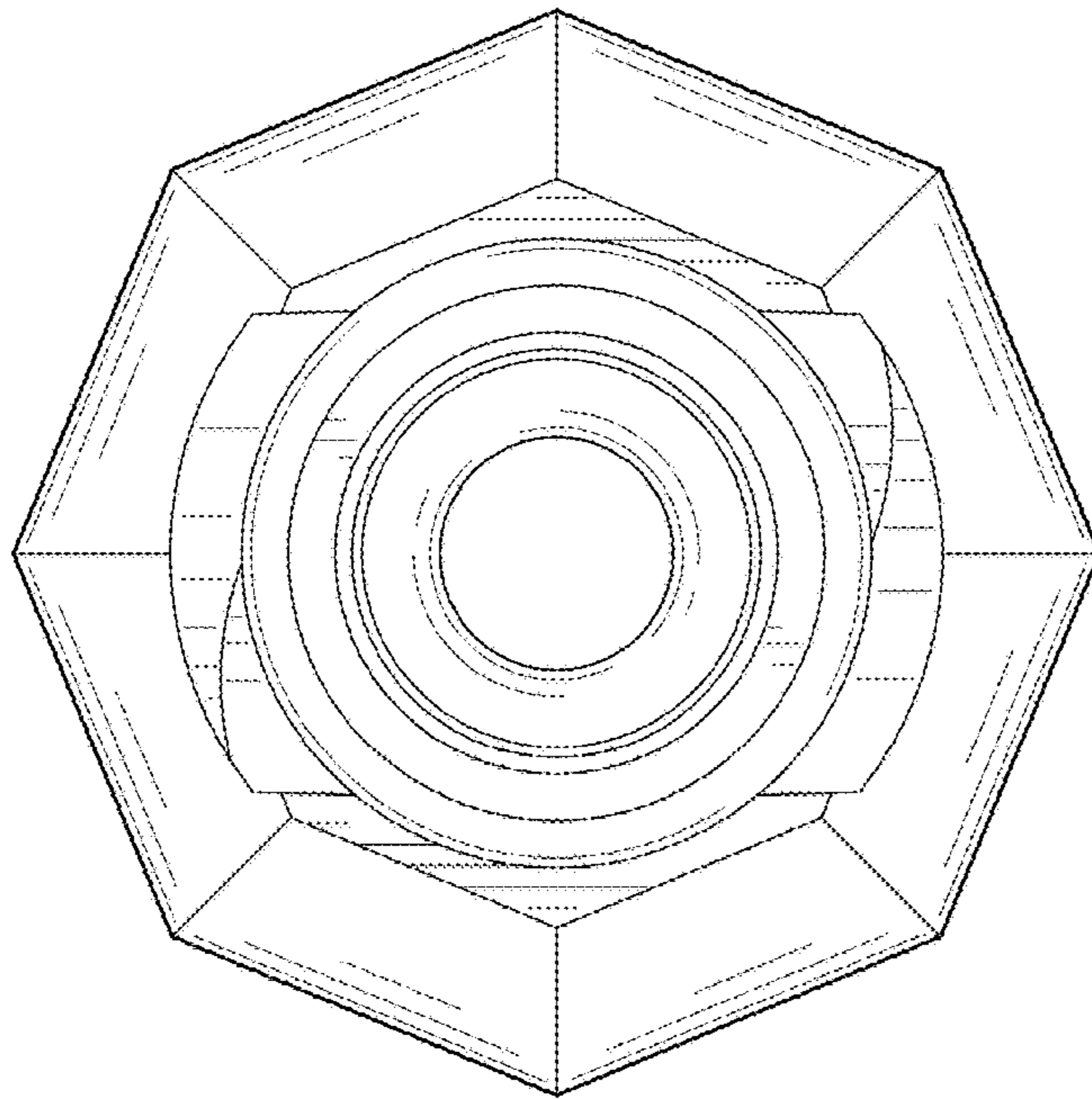


FIG. 4

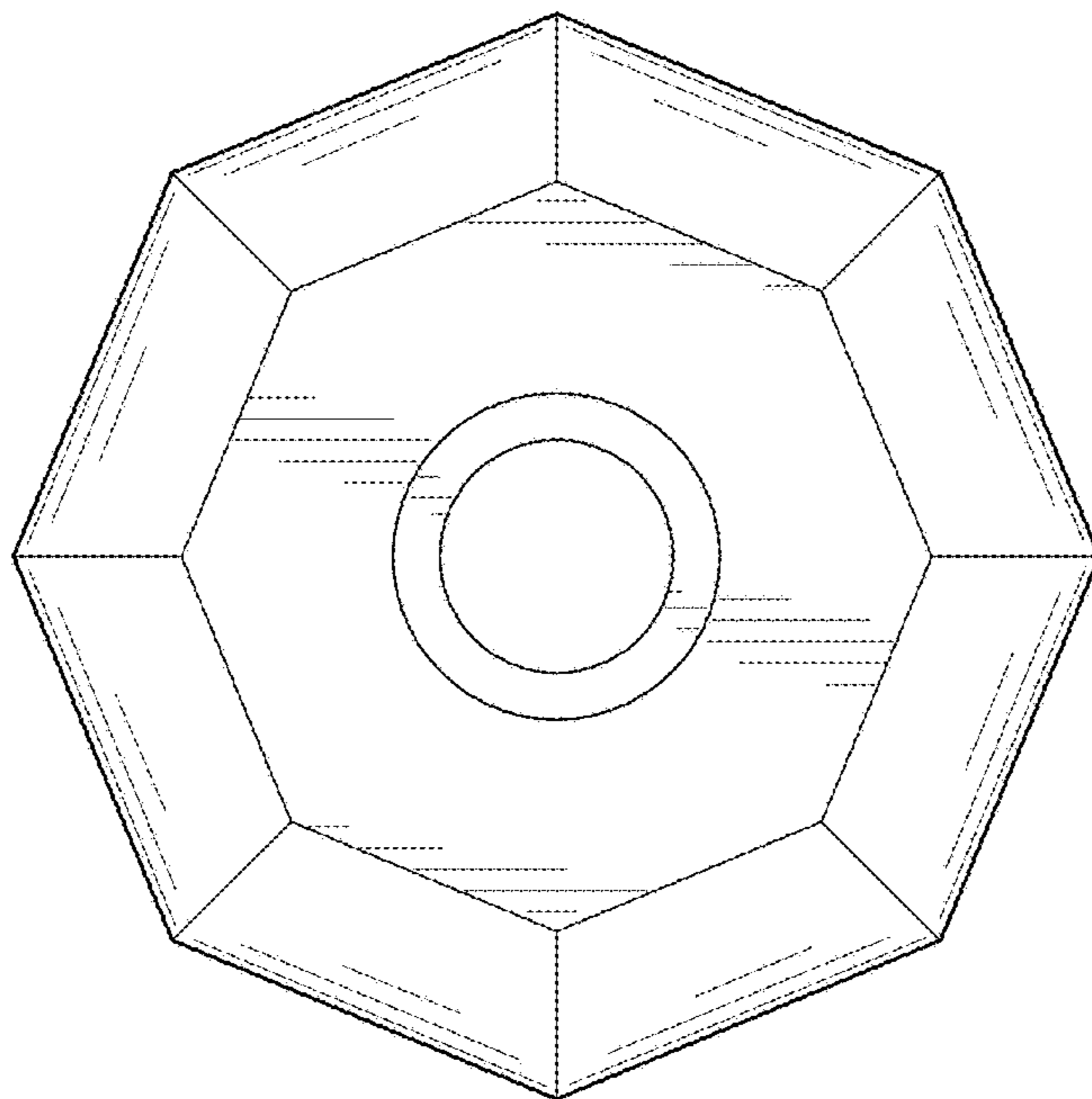


FIG. 5



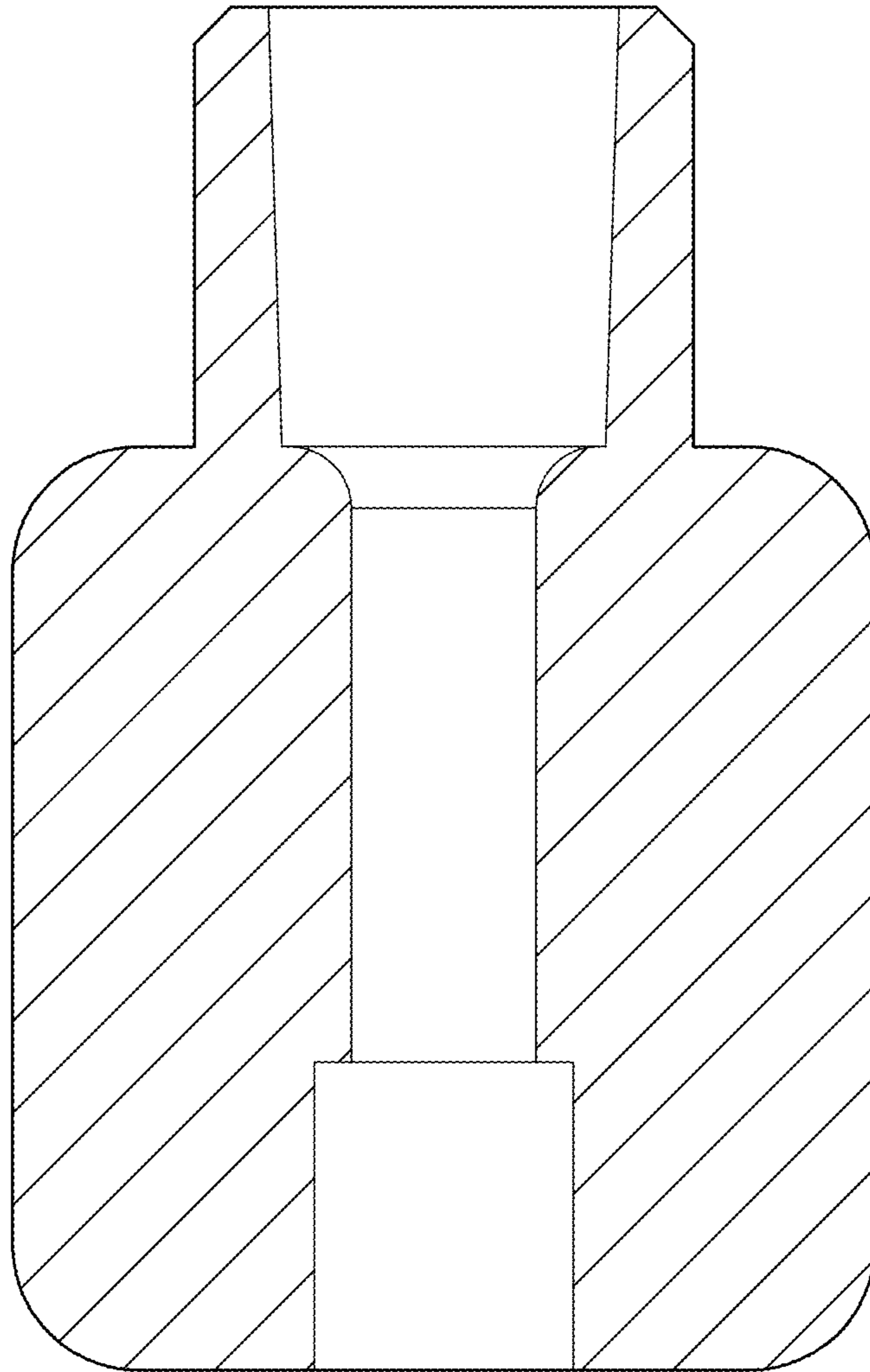


FIG. 6

UNITED STATES PATENT AND TRADEMARK OFFICE  
**CERTIFICATE OF CORRECTION**

PATENT NO. : D785,789 S  
APPLICATION NO. : 29/548745  
DATED : May 2, 2017  
INVENTOR(S) : Michael Turturro et al.

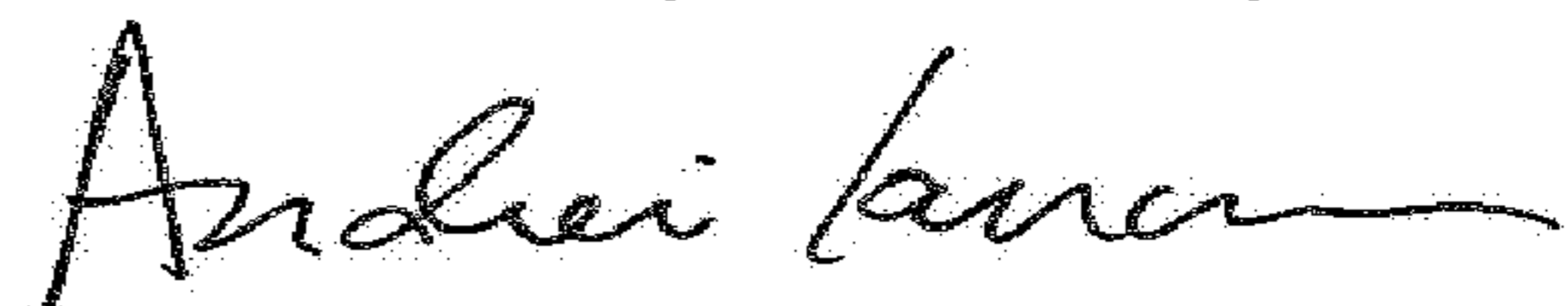
Page 1 of 1

It is certified that error appears in the above-identified patent and that said Letters Patent is hereby corrected as shown below:

On the Title Page

In Column two, under Description, in FIG. 6, delete "12-12" and insert --6-6--.

Signed and Sealed this  
Thirteenth Day of February, 2018



Andrei Iancu  
*Director of the United States Patent and Trademark Office*