



US00D785788S

(12) **United States Design Patent** (10) **Patent No.:** **US D785,788 S**
Nguyen (45) **Date of Patent:** **** May 2, 2017**

(54) **T-SHAPED CAP FOR A MEDICAL INJECTOR**

(71) Applicant: **Becton Dickinson France S.A.S.**, Le Pont-de-Claix (FR)

(72) Inventor: **Emilie Nguyen**, Garges-lès-Gonesse (FR)

(73) Assignee: **Becton Dickinson France S.A.S.**, Le Pont-de-Claix (FR)

(**) Term: **15 Years**

(21) Appl. No.: **29/547,839**

(22) Filed: **Dec. 8, 2015**

(51) **LOC (10) Cl.** **24-02**

(52) **U.S. Cl.**
USPC **D24/127**

(58) **Field of Classification Search**
USPC D24/112–114, 108, 133, 130, 127, 186;
606/181, 185; 604/264, 272, 187, 181,
604/184, 227

CPC A61M 5/178; A61M 3/00; A61M 5/20;
A61M 5/31; A61M 5/3146; A61M
5/3129; A61M 5/3148; A61M 5/315
See application file for complete search history.

(56) **References Cited**

U.S. PATENT DOCUMENTS

D239,021 S	3/1976	D'Alo
4,365,626 A	12/1982	House
4,832,695 A	5/1989	Rosenberg et al.
4,929,232 A	5/1990	Sweeney et al.
D337,157 S	7/1993	Ortiz
D375,788 S	11/1996	Potts et al.
D380,262 S	6/1997	Van Funderburk et al.
5,647,849 A	7/1997	Kalin
D427,308 S	6/2000	Zinger
D473,646 S	4/2003	Baillargeon et al.
6,582,397 B2	6/2003	Alesi et al.

D483,487 S	12/2003	Harding et al.	
D492,774 S	7/2004	Cindrich et al.	
D497,990 S	11/2004	Jutila	
D505,200 S	5/2005	Simpson et al.	
D605,755 S *	12/2009	Baxter	D24/127
D607,558 S	1/2010	Abry et al.	
D629,510 S	12/2010	Grunhut	
D642,261 S *	7/2011	York	D24/130
D679,008 S *	3/2013	Schroeder	D24/129
D702,343 S *	4/2014	Dale	D24/129
D702,835 S *	4/2014	Vinchon	D24/130
D718,439 S *	11/2014	Woehr	D24/130
D738,494 S *	9/2015	Kashmirian	D24/127
D750,239 S *	2/2016	Pappalardo	D24/130
D750,258 S *	2/2016	Crossley	D24/129
D757,258 S *	5/2016	Weißhaupt	D24/127
D760,891 S *	7/2016	Nakamura	D24/114

(Continued)

Primary Examiner — David Muller

(74) Attorney, Agent, or Firm — The Webb Law Firm

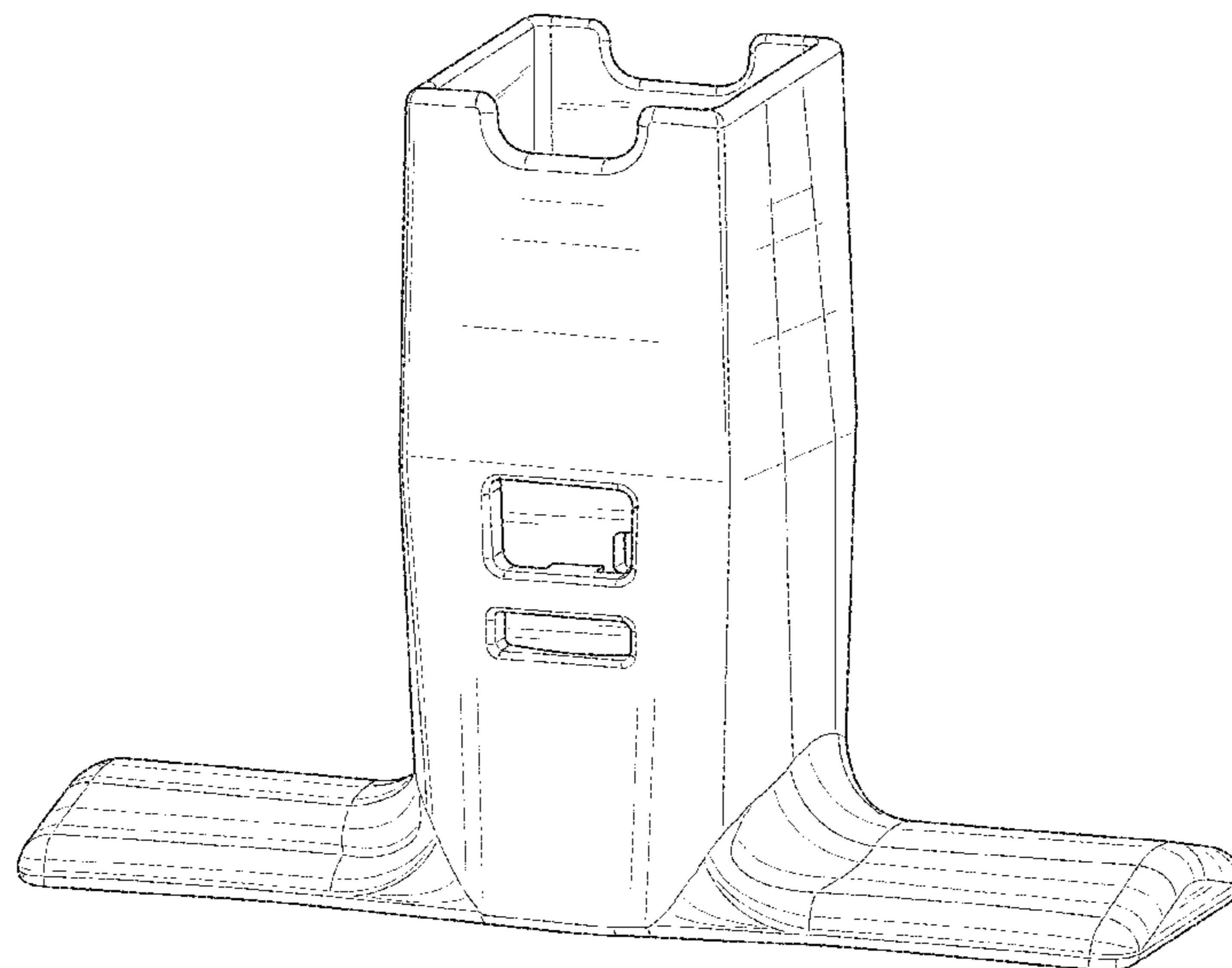
(57) **CLAIM**

The ornamental design for a T-shaped cap for a medical injector, as shown and described.

DESCRIPTION

FIG. 1 is a perspective view of a T-shaped cap for a medical injector in accordance with the present invention; FIG. 2 is a front elevation view thereof; FIG. 3 is a rear elevation view thereof; FIG. 4 is a left side elevation view thereof; FIG. 5 is a right side elevation view thereof; FIG. 6 is a top plan view thereof; FIG. 7 is a bottom plan view thereof; and, FIG. 8 is a perspective view thereof shown engaged with an injector in accordance with the present invention. The broken line representing the injector shown in FIGS. 6-8 represents disclaimed subject matter and forms no part of the claimed design.

1 Claim, 8 Drawing Sheets



(56)

References Cited

U.S. PATENT DOCUMENTS

D765,241 S * 8/2016 Holland D24/114
D768,851 S * 10/2016 Rozwadowski D24/130
2001/0044606 A1 11/2001 Inkpen et al.
2004/0133172 A1 7/2004 Wilkinson
2004/0210197 A1 10/2004 Conway
2008/0228147 A1 9/2008 David-Hegerich et al.
2009/0312705 A1 12/2009 Grunhut et al.

* cited by examiner

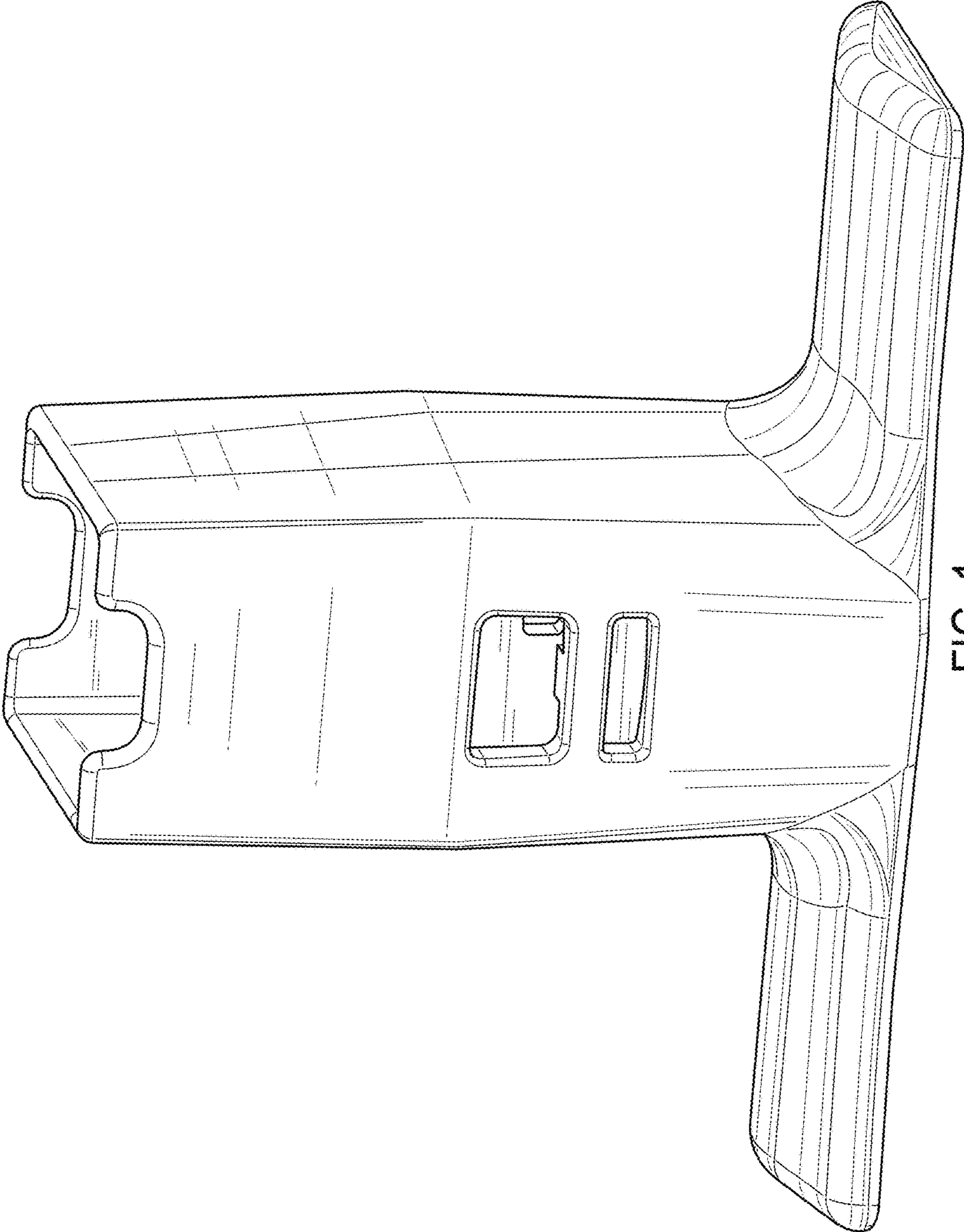


FIG. 1

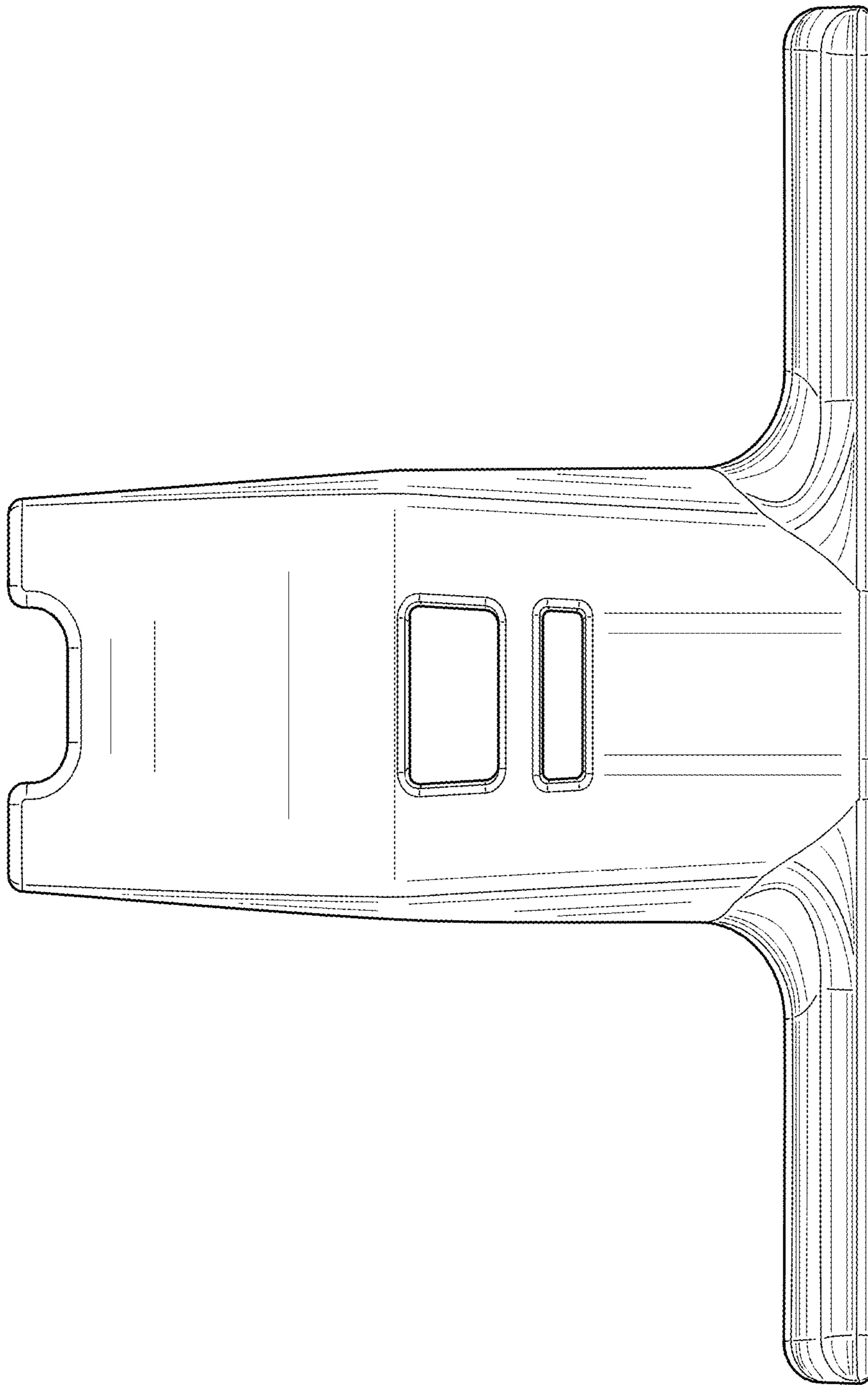


FIG. 2

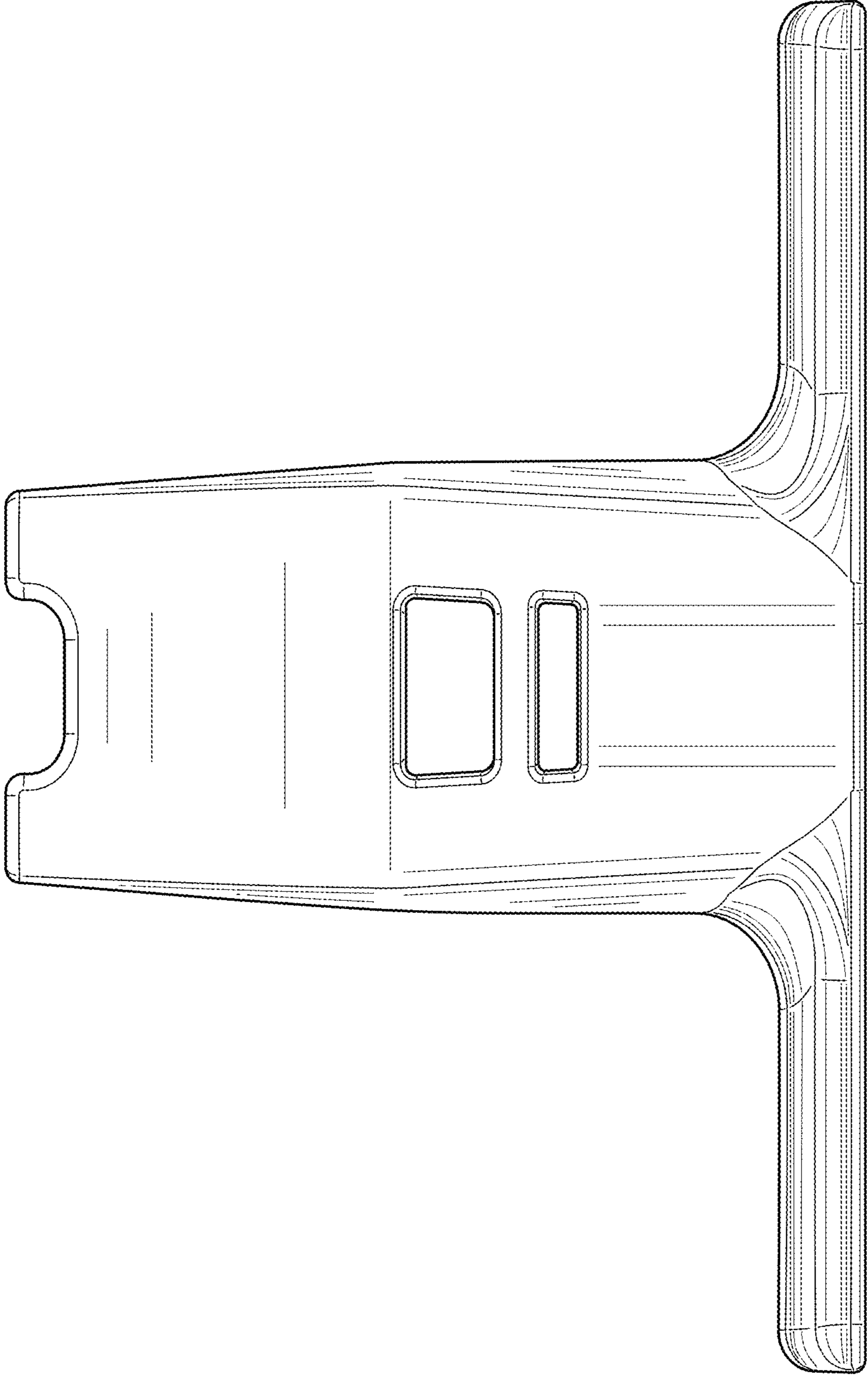


FIG. 3

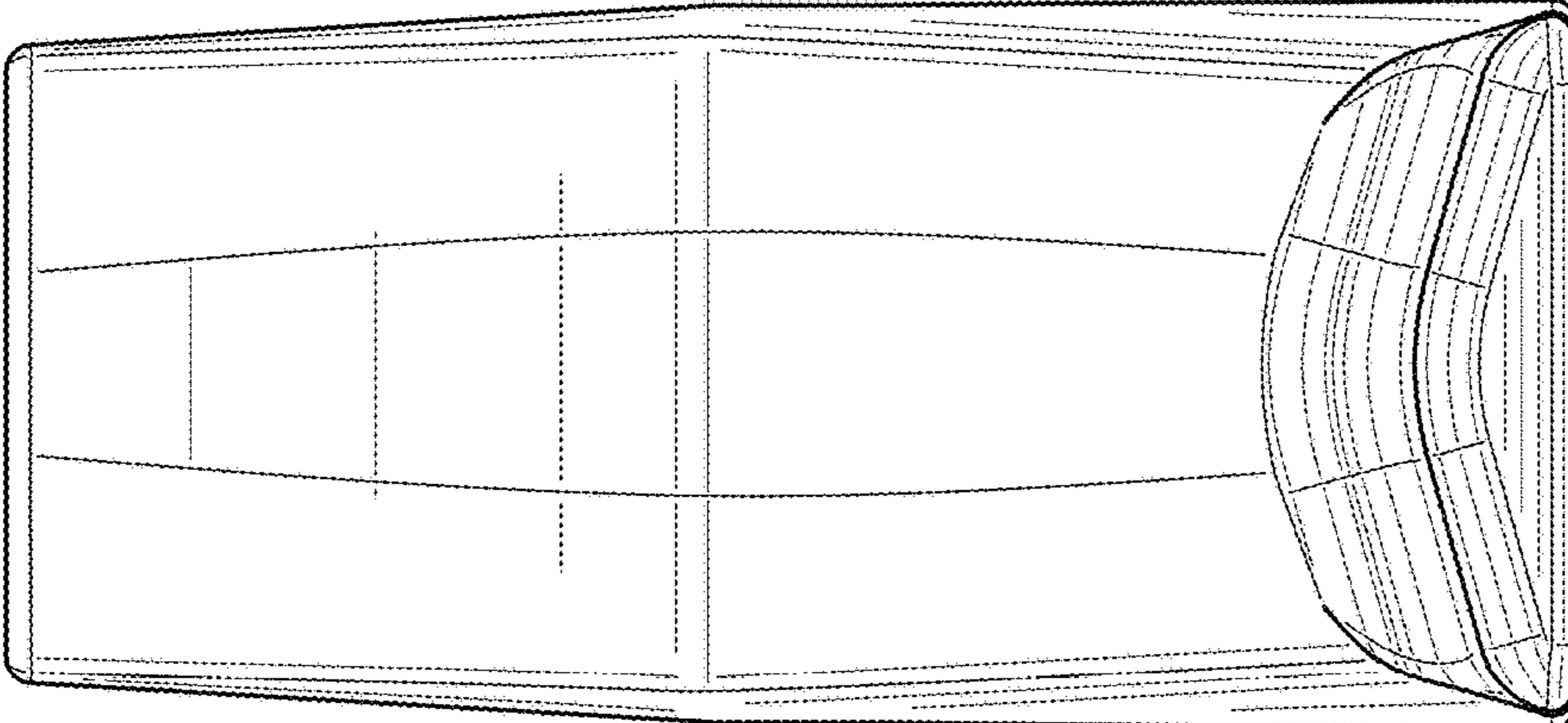


FIG. 4

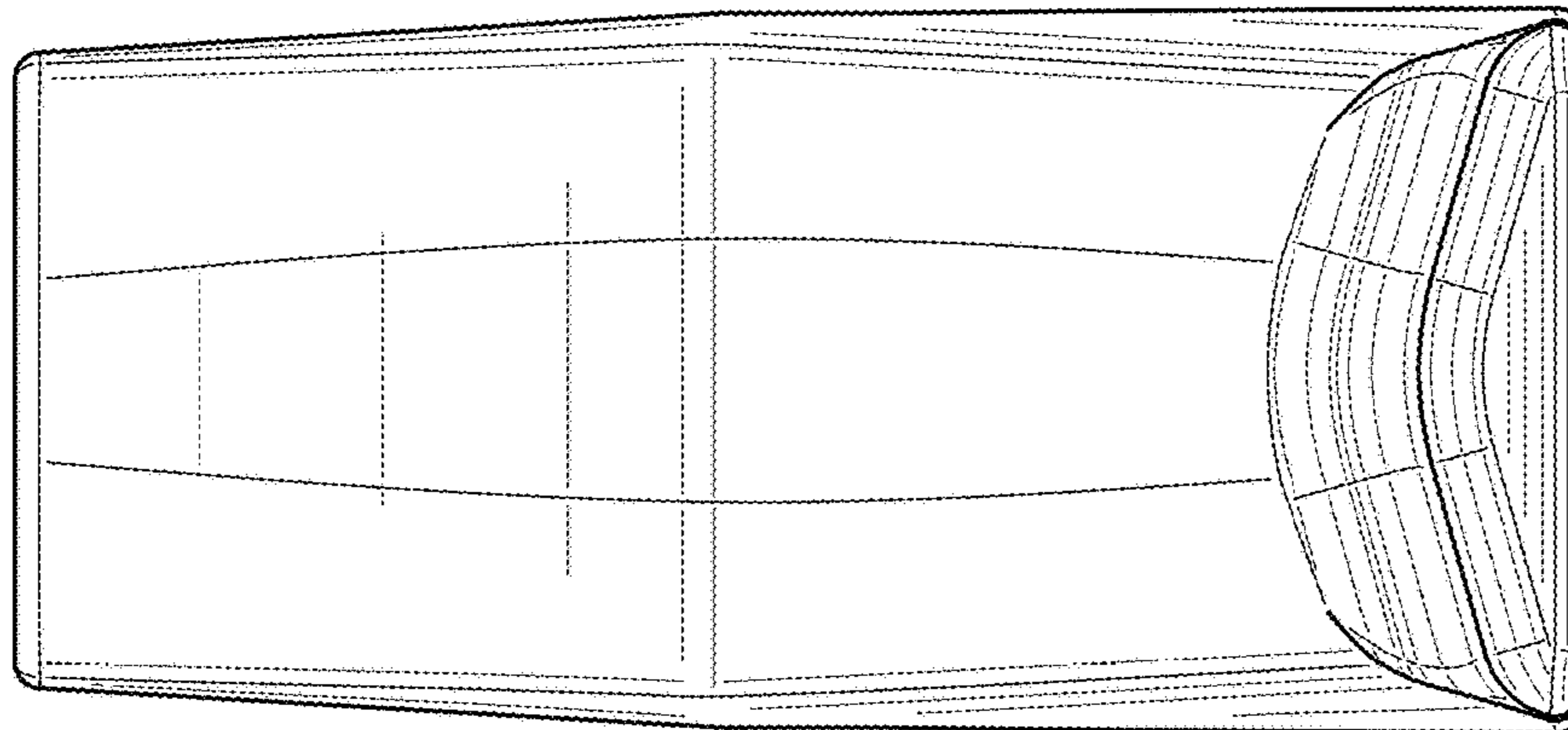


FIG. 5

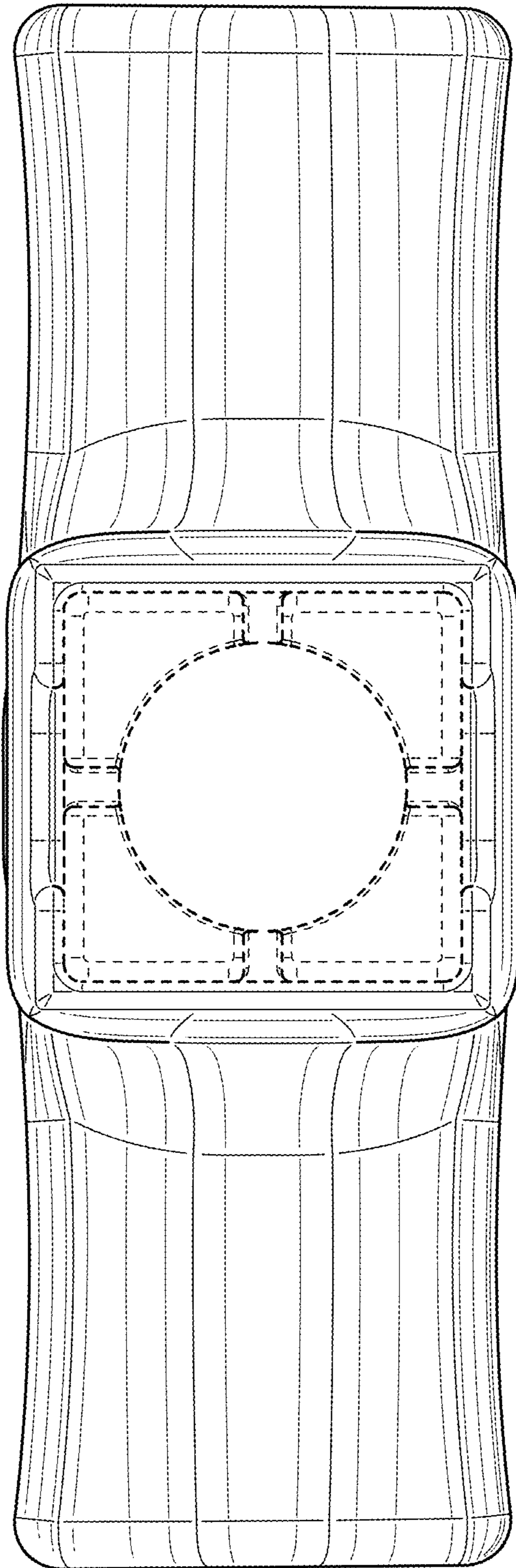


FIG. 6

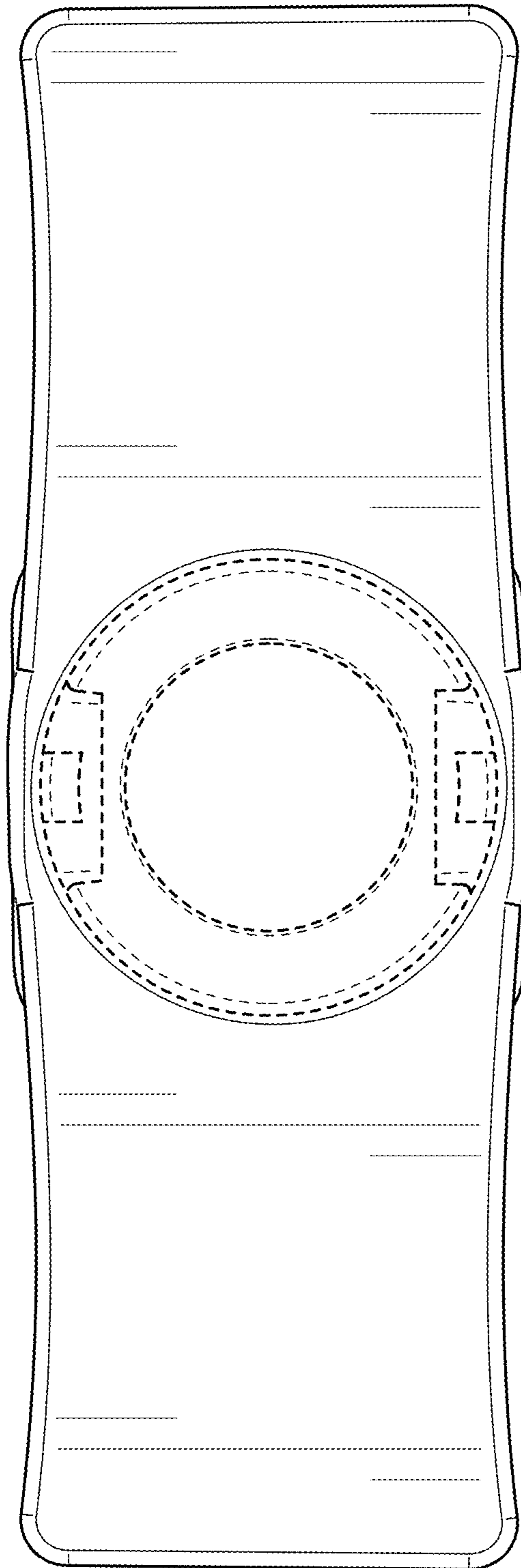


FIG. 7

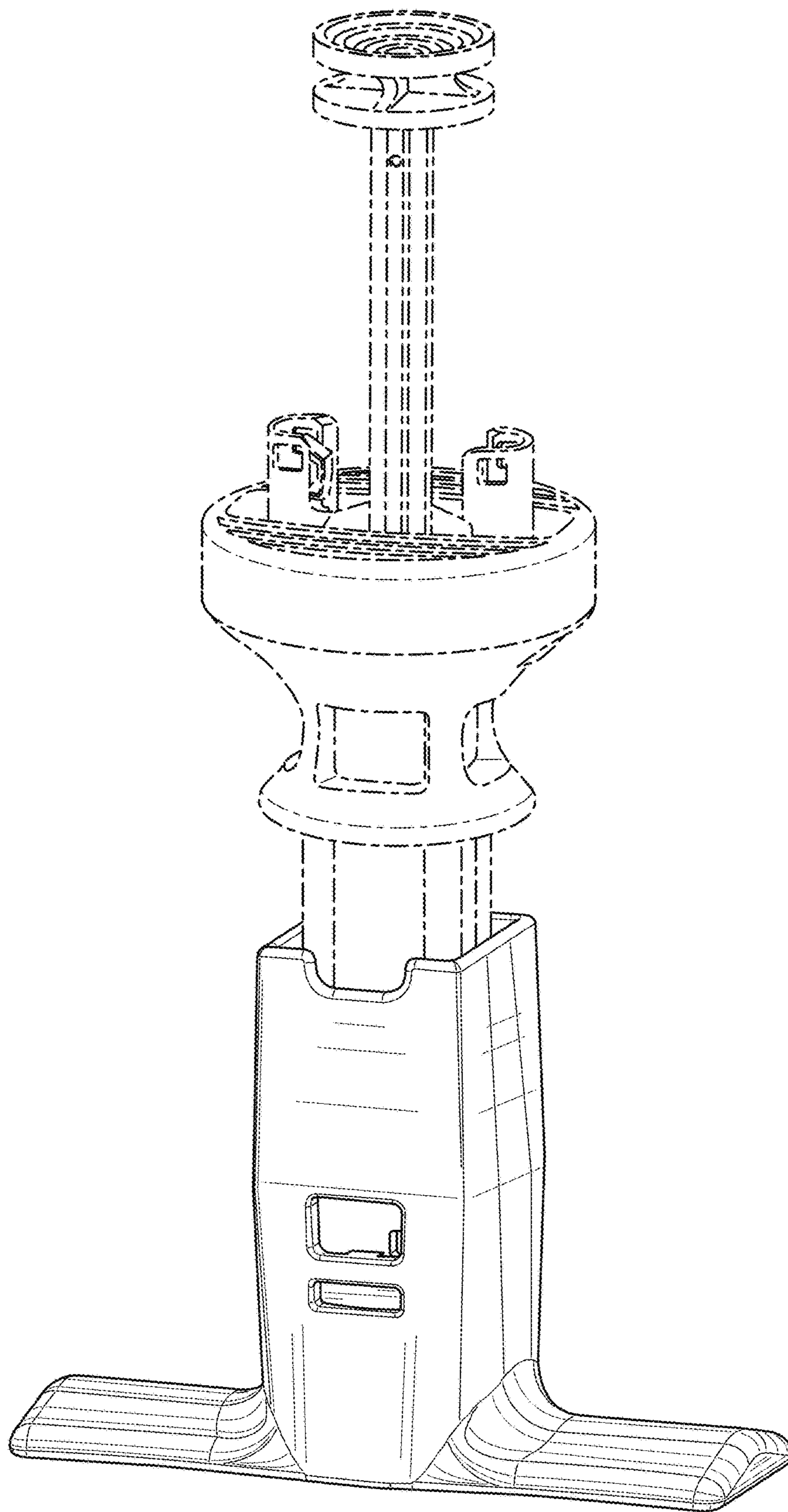


FIG. 8