



US00D785787S

(12) **United States Design Patent** (10) **Patent No.:** **US D785,787 S**  
**Matsutori et al.** (45) **Date of Patent:** **\*\* \*May 2, 2017**

- (54) **NURSING PAD**
- (71) Applicant: **Pigeon Corporation**, Tokyo (JP)
- (72) Inventors: **Koji Matsutori**, Bangkok (TH);  
**Hidekazu Okuno**, Bangkok (TH)
- (73) Assignee: **PIGEON CORPORATION**, Tokyo (JP)
- (\*) Notice: This patent is subject to a terminal disclaimer.
- (\*\*) Term: **15 Years**
- (21) Appl. No.: **29/542,675**
- (22) Filed: **Oct. 16, 2015**
- (51) **LOC (10) Cl.** ..... **24-04**
- (52) **U.S. Cl.**  
USPC ..... **D24/124**
- (58) **Field of Classification Search**  
USPC ..... D24/119, 124, 125, 166, 178, 181, 206,  
D24/216, 217; D2/706, 711; 623/7, 8;  
428/411.1  
See application file for complete search history.
- (56) **References Cited**  
U.S. PATENT DOCUMENTS
- |              |        |           |       |         |
|--------------|--------|-----------|-------|---------|
| D347,278 S * | 5/1994 | Higa      | ..... | D24/124 |
| D575,869 S * | 8/2008 | Fujikawa  | ..... | D24/124 |
| D593,678 S * | 6/2009 | Sakaguchi | ..... | D24/124 |

- 2007/0083180 A1\* 4/2007 Sakaguchi ..... A61F 13/141  
604/385.07
- 2008/0161916 A1\* 7/2008 Heitman ..... A61F 2/52  
623/7
- 2008/0200096 A1\* 8/2008 Thornton ..... A61F 13/141  
450/37

\* cited by examiner

*Primary Examiner* — Garth Rademaker  
*Assistant Examiner* — Samantha Q Lawrence  
(74) *Attorney, Agent, or Firm* — Michael W. Ferrell

(57) **CLAIM**

The ornamental design for a nursing pad, as shown and described.

**DESCRIPTION**

The patent or application file contains at least one drawing executed in color. Copies of this patent or patent application publication with color drawings will be provided by the Office upon request and payment of the necessary fee.

FIG. 1 is a front perspective view of a nursing pad;  
FIG. 2 is a rear perspective view of the nursing pad;  
FIG. 3 is a top view of the nursing pad;  
FIG. 4 is a bottom view of the nursing pad;  
FIG. 5 is a right side view of the nursing pad;  
FIG. 6 is a left side view of the nursing pad;  
FIG. 7 is a front elevation view of the nursing pad; and,  
FIG. 8 is a rear elevation view of the nursing pad.

The areas within dashed lines indicate adhesive areas for attachment to garment(s) and form no part of the claimed design.

**1 Claim, 5 Drawing Sheets**  
**(2 of 5 Drawing Sheet(s) Filed in Color)**

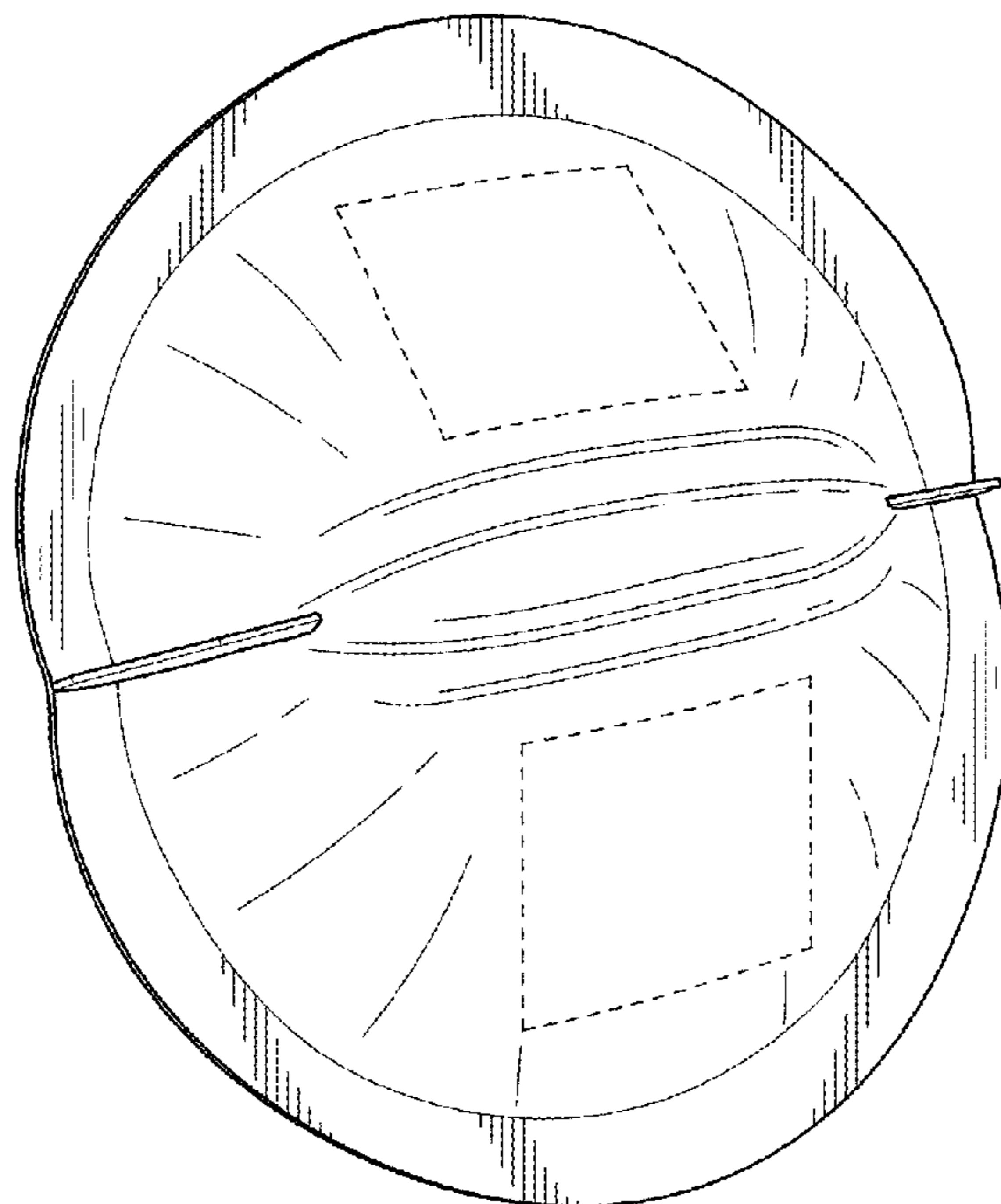


FIG. 1

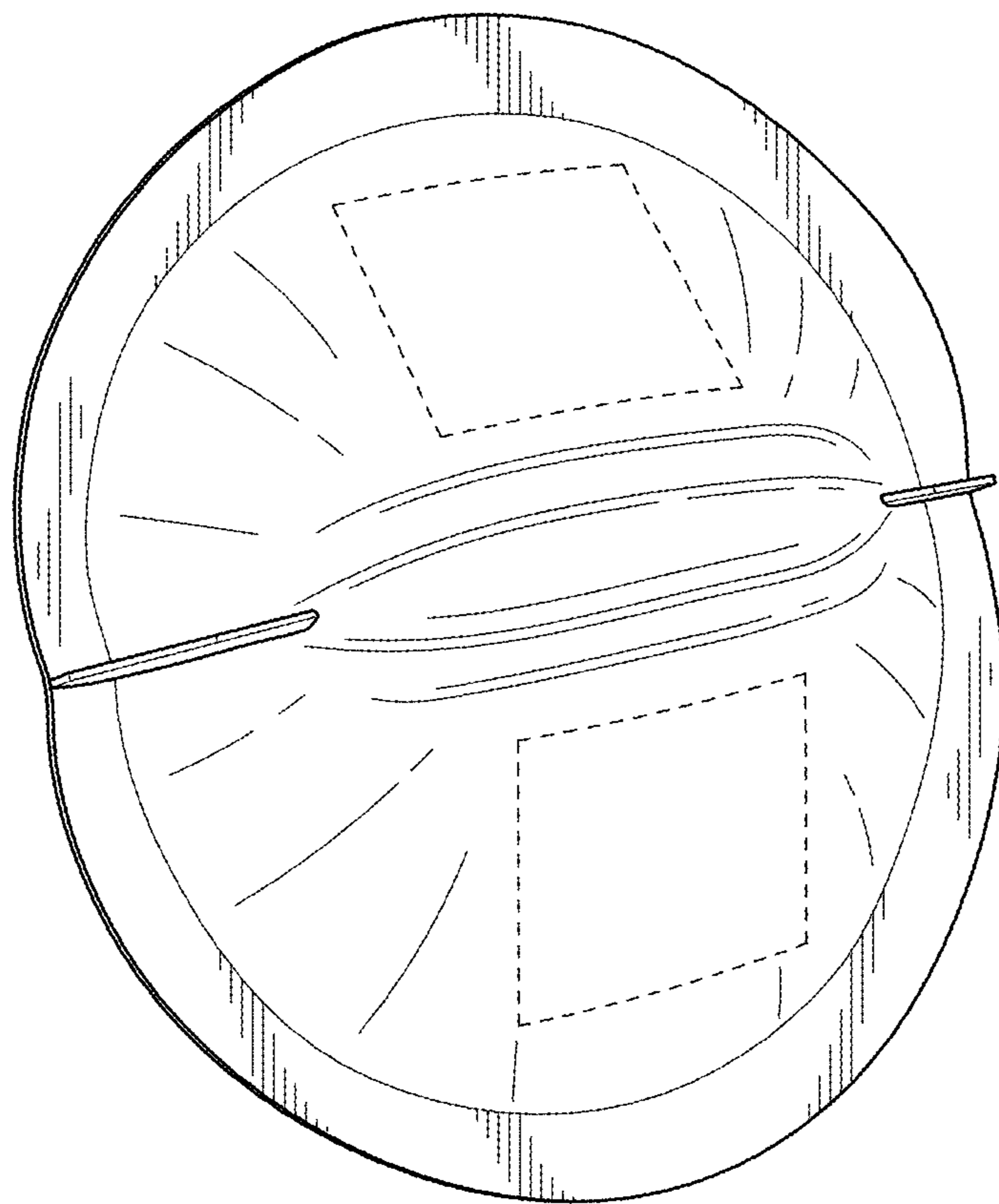


FIG. 2

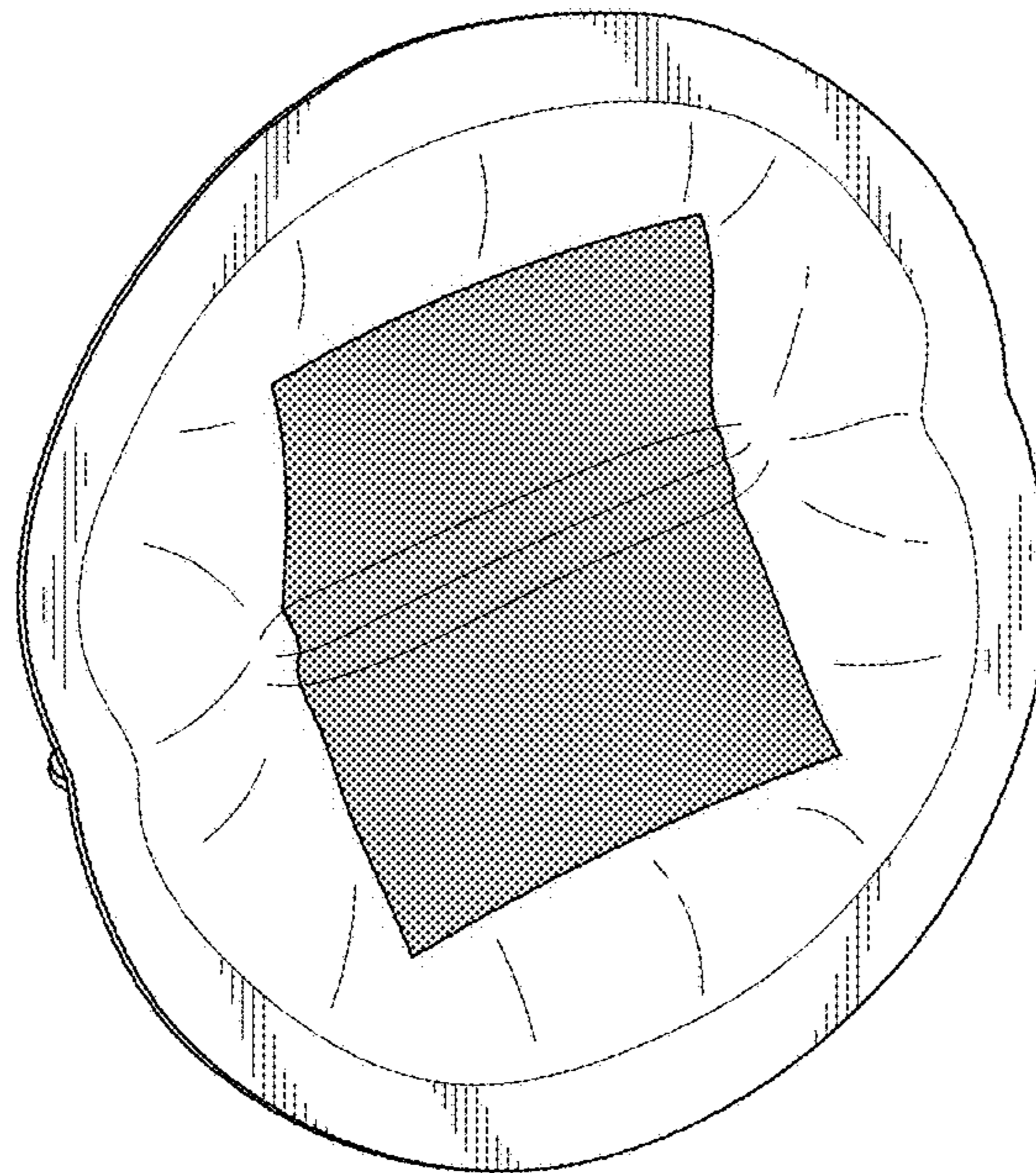


FIG. 3

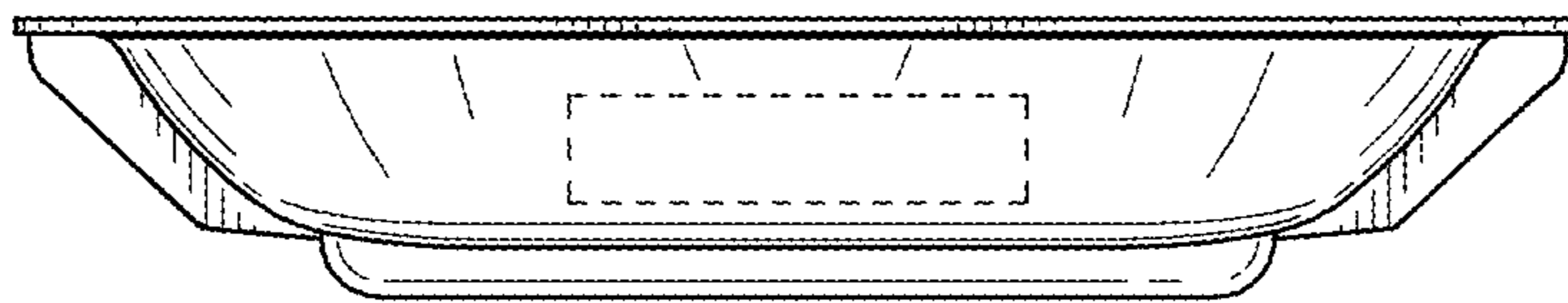


FIG. 4

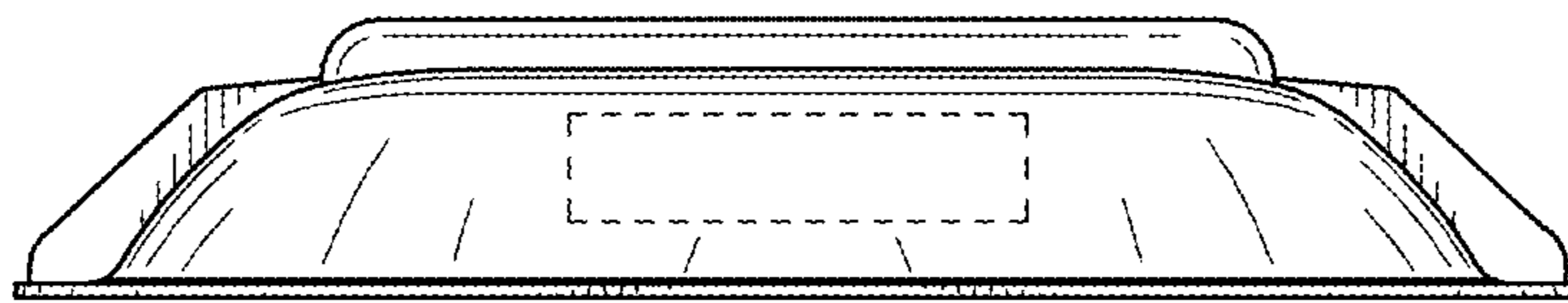


FIG. 5

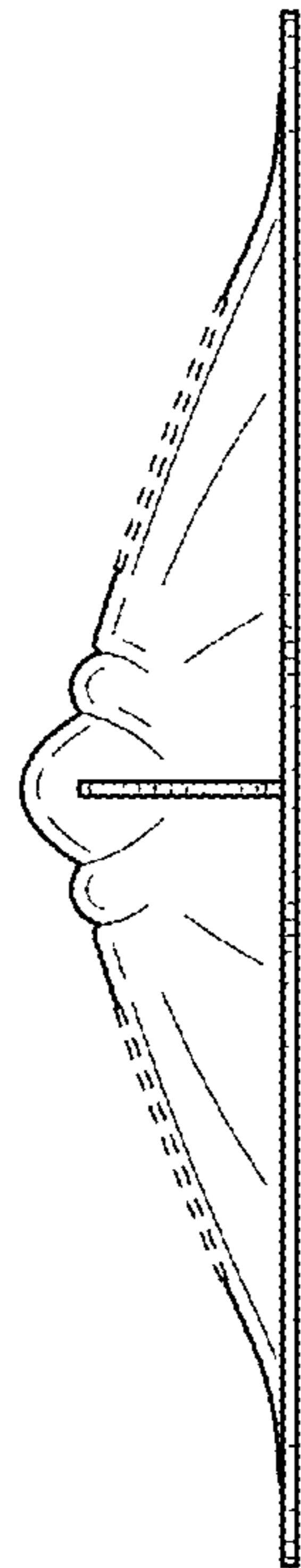


FIG. 6

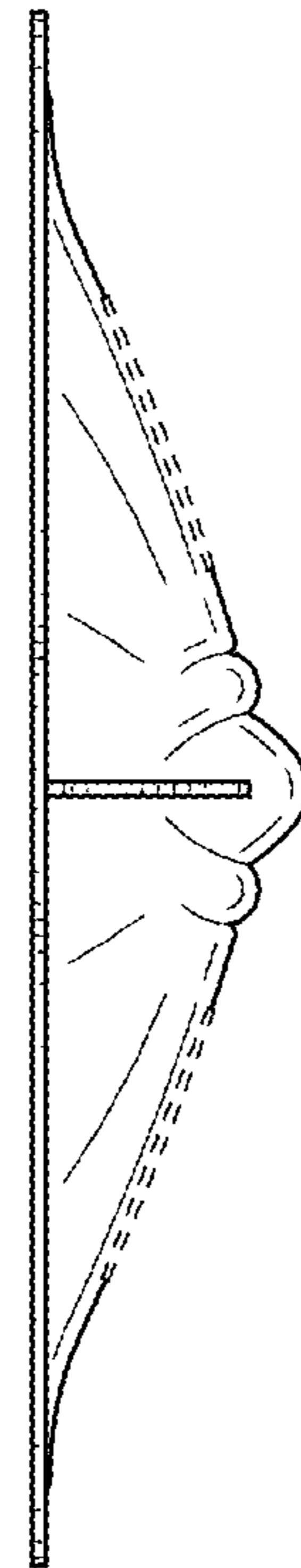


FIG. 7

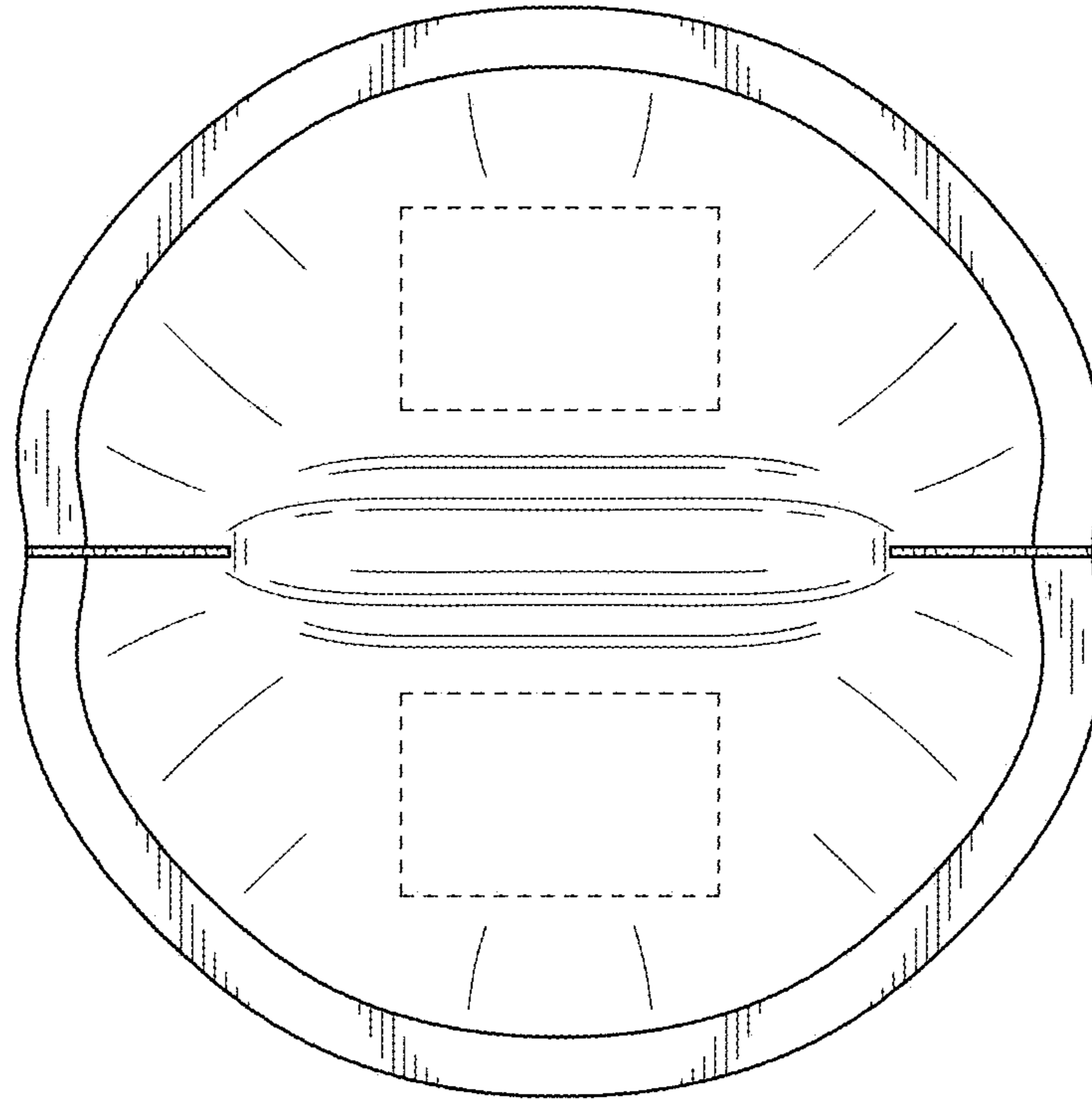


FIG. 8

