



US00D785783S

(12) **United States Design Patent** (10) **Patent No.:** **US D785,783 S**  
**Chen et al.** (45) **Date of Patent:** **\*\* May 2, 2017**

(54) **BLOOD COLLECTION DEVICE** 8,021,631 B2 \* 9/2011 Ruhl ..... A61B 5/14514  
242/381.2  
(71) Applicant: **Theranos, Inc.**, Palo Alto, CA (US) 8,066,639 B2 \* 11/2011 Nelson ..... A61B 5/0024  
436/95  
(72) Inventors: **Michael Chen**, Palo Alto, CA (US); 8,204,568 B2 6/2012 Matsumoto et al.  
**Patricia McHale**, Palo Alto, CA (US) 8,308,748 B2 11/2012 Young et al.  
8,366,729 B2 2/2013 LeVaughn et al.  
8,383,041 B2 2/2013 Ruhl et al.  
(73) Assignee: **Theranos, Inc.**, Palo Alto, CA (US) 8,647,269 B2 2/2014 Nelson et al.  
8,702,624 B2 4/2014 Alden  
D745,662 S 12/2015 Chen  
(\*\*) Term: **15 Years** (Continued)

(21) Appl. No.: **29/547,195**

(22) Filed: **Dec. 1, 2015**

**Related U.S. Application Data**

(63) Continuation of application No. 29/466,434, filed on Sep. 8, 2013, now Pat. No. Des. 746,976.

(51) **LOC (10) Cl.** ..... **24-02**

(52) **U.S. Cl.**  
USPC ..... **D24/112**

(58) **Field of Classification Search**

USPC ..... D24/112-114, 121, 127, 130, 108, 111,  
D24/167, 169; 604/6.01, 6.02, 6.04, 6.05,  
604/6.15, 131, 148, 264, 263, 198, 317,  
604/319, 326; 600/578, 573, 576, 577

CPC ..... A61B 5/15; A61B 5/00  
See application file for complete search history.

(56) **References Cited**

**U.S. PATENT DOCUMENTS**

5,366,609 A \* 11/1994 White ..... G01N 33/48792  
204/403.04  
5,504,011 A 4/1996 Gavin et al.  
6,027,459 A 2/2000 Shain et al.  
D424,696 S \* 5/2000 Ray ..... D24/169  
6,283,982 B1 \* 9/2001 Levaughn ..... A61B 5/150022  
606/172  
6,491,709 B2 \* 12/2002 Sharma ..... A61B 5/150022  
604/164.06  
D600,349 S \* 9/2009 Bell ..... D24/169  
7,976,478 B2 \* 7/2011 Fujiwara ..... A61B 5/15138  
600/573  
7,976,778 B2 7/2011 Drucker et al.

**OTHER PUBLICATIONS**

Advisory Action dated Jun. 18, 2015 for U.S. Appl. No. 29/466,437.  
Advisory Action dated Jun. 26, 2015 for U.S. Appl. No. 29/466,436.  
Advisory Action dated Jul. 1, 2015 for U.S. Appl. No. 29/466,434.  
Advisory Action dated Jul. 22, 2015 for U.S. Appl. No. 29/466,435.  
Notice of Allowance dated Aug. 12, 2015 for U.S. Appl. No. 29/466,436.  
Notice of Allowance dated Aug. 12, 2015 for U.S. Appl. No. 29/466,437.  
Notice of Allowance dated Aug. 28, 2015 for U.S. Appl. No. 29/466,434.

(Continued)

*Primary Examiner* — David Muller  
*Assistant Examiner* — Nathan Johnston

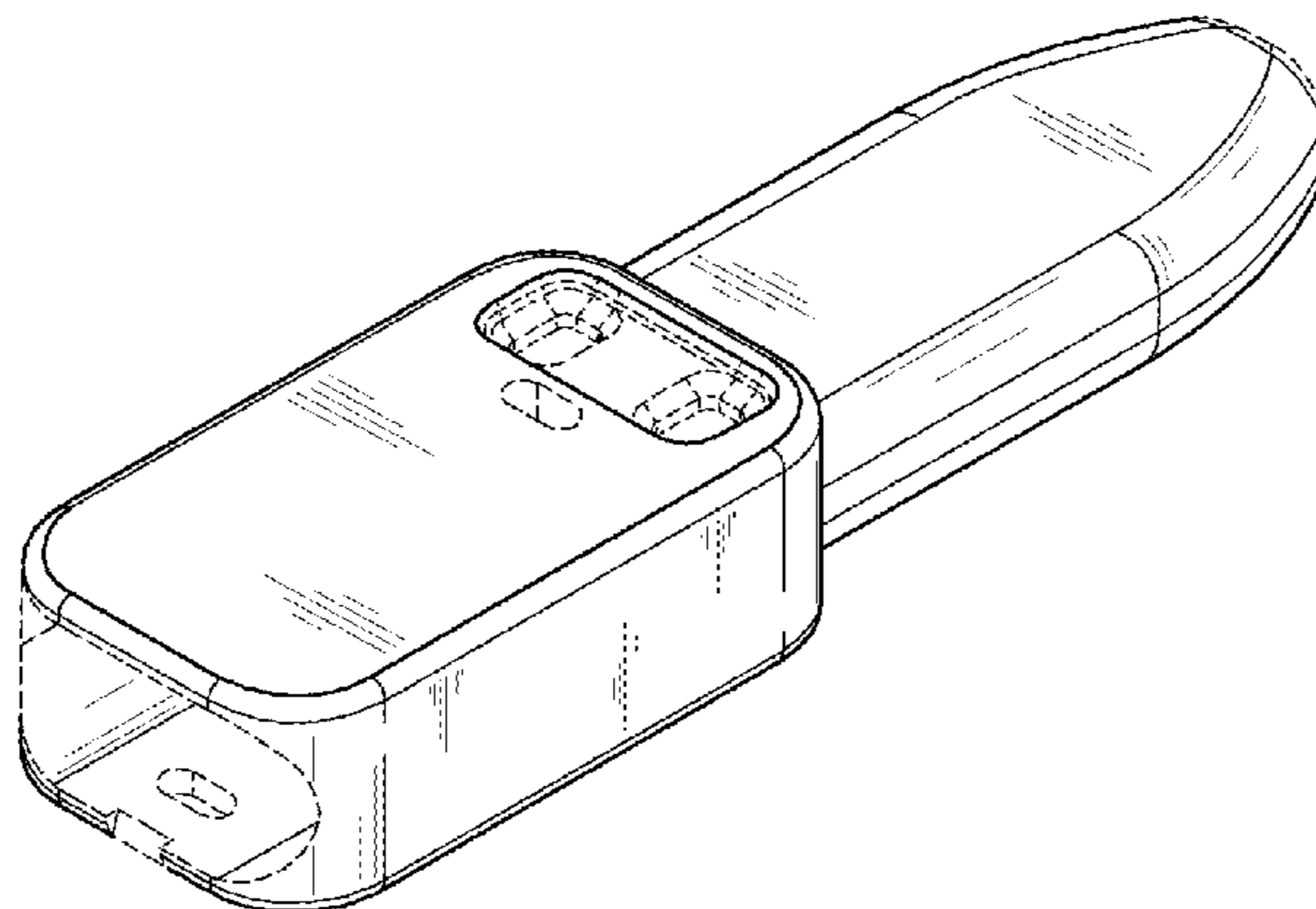
(57) **CLAIM**

The ornamental design for a blood collection device, as shown and described.

**DESCRIPTION**

FIG. 1 is a top perspective view of a blood collection device, showing our new design;  
FIG. 2 is a bottom perspective view of a blood collection device;  
FIG. 3 is a side view thereof;  
FIG. 4 is a proximal end view thereof; and,  
FIG. 5 is a distal end view thereof.  
The broken lines are included for the purpose of illustrating unclaimed portions of the blood collection device and form no part of the claimed design.

**1 Claim, 2 Drawing Sheets**



(56)

**References Cited**

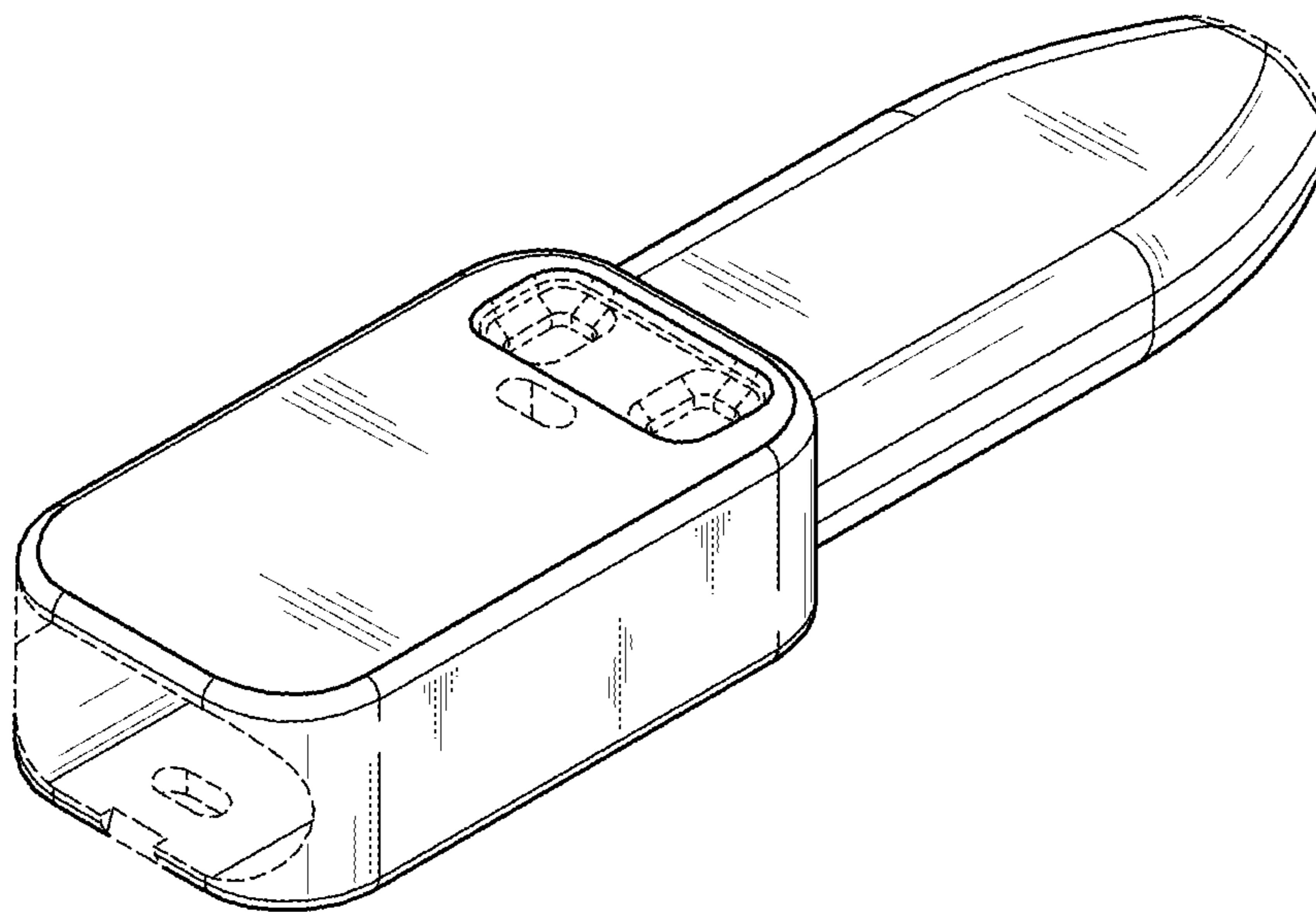
U.S. PATENT DOCUMENTS

D745,663	S	12/2015	Chen	
D746,976	S	1/2016	Chen et al.	
9,445,785	B2 *	9/2016	Clingman .....	A61B 8/46
2004/0092997	A1 *	5/2004	Levin .....	A61B 5/151 606/181
2005/0149090	A1	7/2005	Morita et al.	
2008/0208079	A1 *	8/2008	Hein .....	A61B 5/150022 600/583
2009/0177117	A1 *	7/2009	Amano .....	A61B 5/14532 600/583
2011/0160614	A1 *	6/2011	Fujiwara .....	A61B 5/14532 600/576
2012/0143151	A1	6/2012	Low et al.	
2013/0197332	A1	8/2013	Lucisano et al.	
2014/0073990	A1	3/2014	Holmes et al.	

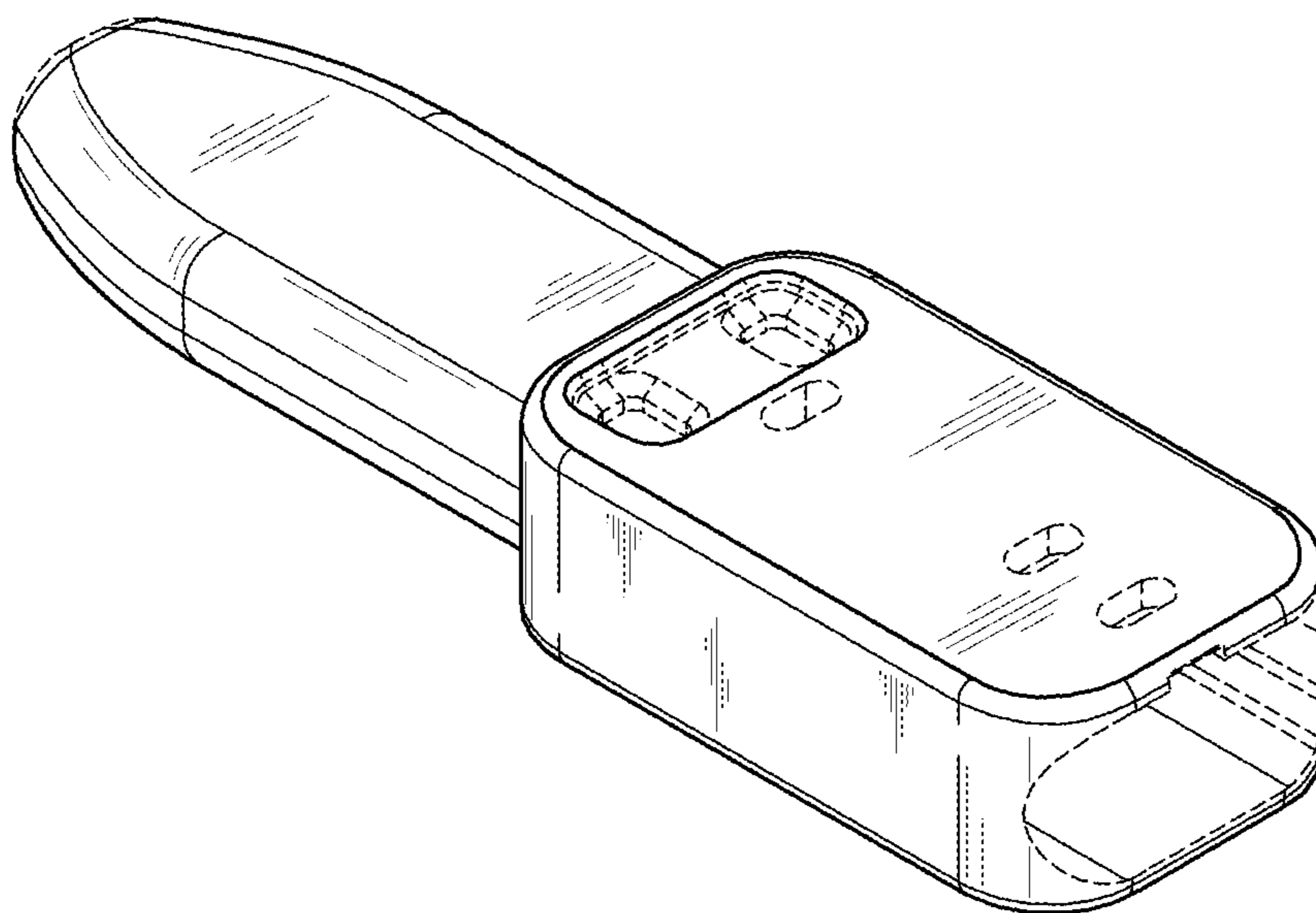
OTHER PUBLICATIONS

Office Action dated Nov. 21, 2014 for U.S. Appl. No. 29/466,434.  
Office Action dated Nov. 21, 2014 for U.S. Appl. No. 29/466,435.  
Office Action dated Nov. 21, 2014 for U.S. Appl. No. 29/466,436.  
Office Action dated Nov. 21, 2014 for U.S. Appl. No. 29/466,437.  
Office Action dated Apr. 10, 2015 for U.S. Appl. No. 29/466,437.  
Office Action dated Apr. 13, 2015 for U.S. Appl. No. 29/466,436.  
Office Action dated Apr. 27, 2015 for U.S. Appl. No. 29/466,434.  
Office Action dated Apr. 27, 2015 for U.S. Appl. No. 29/466,435.

\* cited by examiner



**FIG. 1**



**FIG. 2**

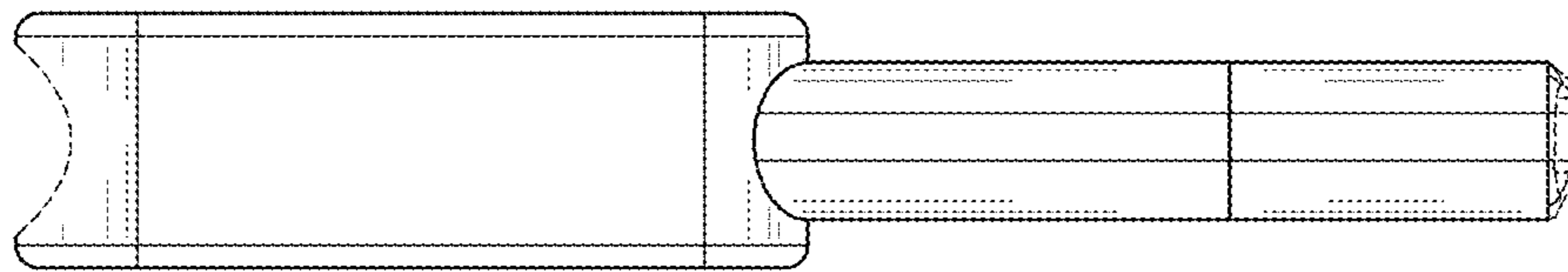


FIG. 3

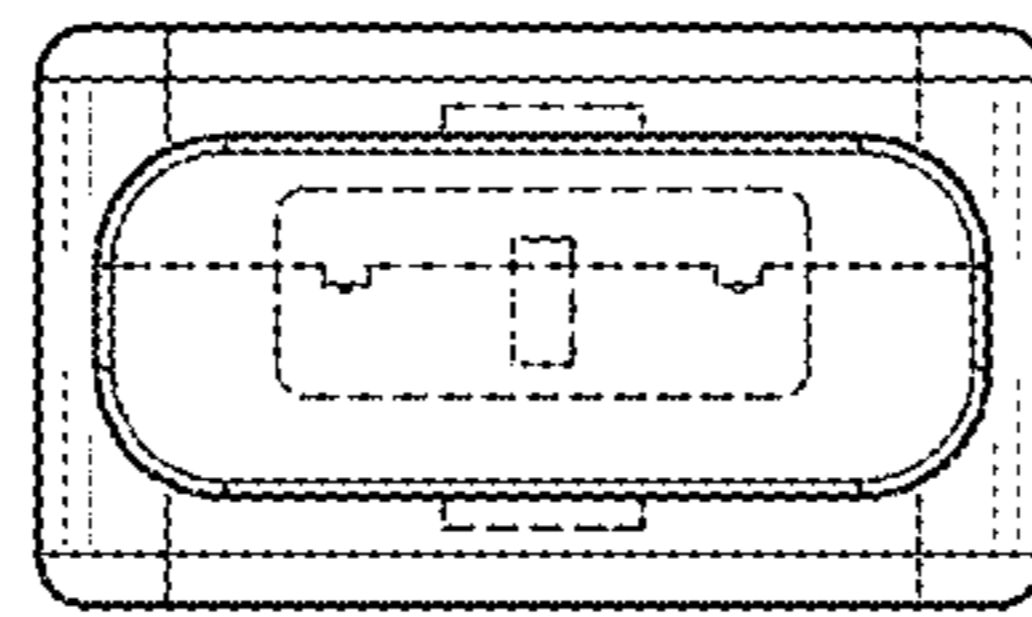


FIG. 4

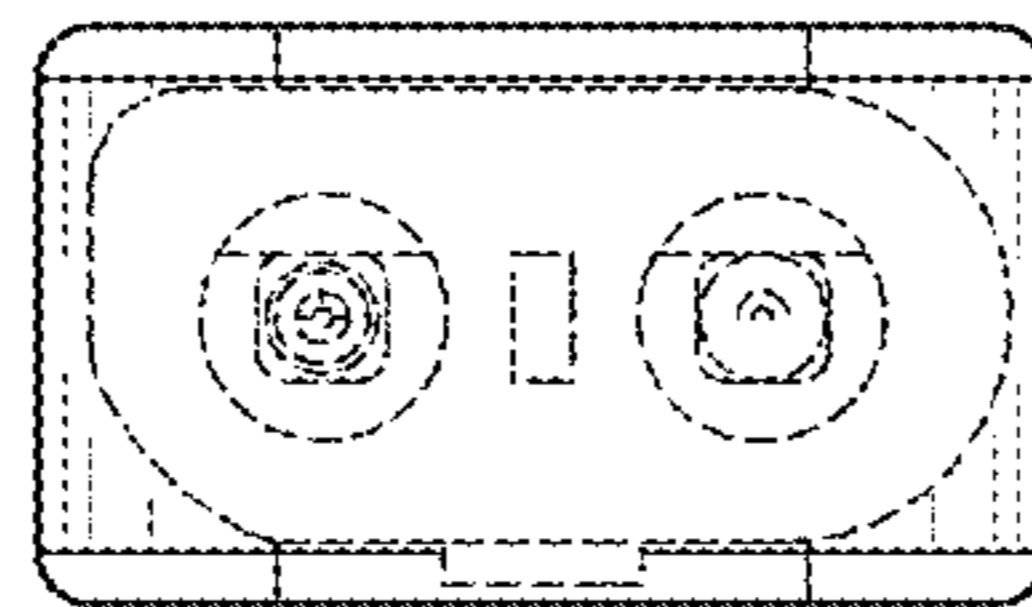


FIG. 5