



US00D785782S

(12) **United States Design Patent** (10) **Patent No.:** **US D785,782 S**
Chen (45) **Date of Patent:** **** May 2, 2017**

(54) **BLOOD COLLECTION DEVICE**
(71) Applicant: **Theranos, Inc.**, Palo Alto, CA (US)
(72) Inventor: **Michael Chen**, Palo Alto, CA (US)
(73) Assignee: **Theranos, Inc.**, Palo Alto, CA (US)
(**) Term: **15 Years**
(21) Appl. No.: **29/546,672**
(22) Filed: **Nov. 24, 2015**

7,976,478 B2 * 7/2011 Fujiwara A61B 5/15138
600/573
7,976,778 B2 7/2011 Drucker et al.
8,021,631 B2 * 9/2011 Ruhl A61B 5/14514
242/381.2
8,066,639 B2 * 11/2011 Nelson A61B 5/0024
436/95
8,204,568 B2 6/2012 Matsumoto et al.
8,308,748 B2 11/2012 Young et al.
8,366,729 B2 2/2013 LeVaughn et al.
8,383,041 B2 2/2013 Ruhl et al.
8,647,269 B2 2/2014 Nelson et al.
8,702,624 B2 4/2014 Alden
D745,662 S 12/2015 Chen
D745,663 S 12/2015 Chen
D746,976 S 1/2016 Chen et al.

(Continued)

Related U.S. Application Data

(63) Continuation of application No. 29/466,436, filed on
Sep. 8, 2013, now Pat. No. Des. 745,662.
(51) **LOC (10) Cl.** **24-02**
(52) **U.S. Cl.**
USPC **D24/112**
(58) **Field of Classification Search**
USPC D24/112-114, 127, 130, 121, 108, 111,
D24/167, 169; 604/6.01, 6.02, 6.04, 6.05,
604/6.15, 131, 148, 264, 263, 198, 317,
604/319, 326; 600/578, 573, 576, 577
CPC A61B 5/15; A61B 5/00
See application file for complete search history.

OTHER PUBLICATIONS

Advisory Action dated Jun. 18, 2015 for U.S. Appl. No. 29/466,437.
(Continued)

Primary Examiner — David Muller
Assistant Examiner — Nathan Johnston

(57) **CLAIM**

The ornamental design for a blood collection device, as
shown and described.

DESCRIPTION

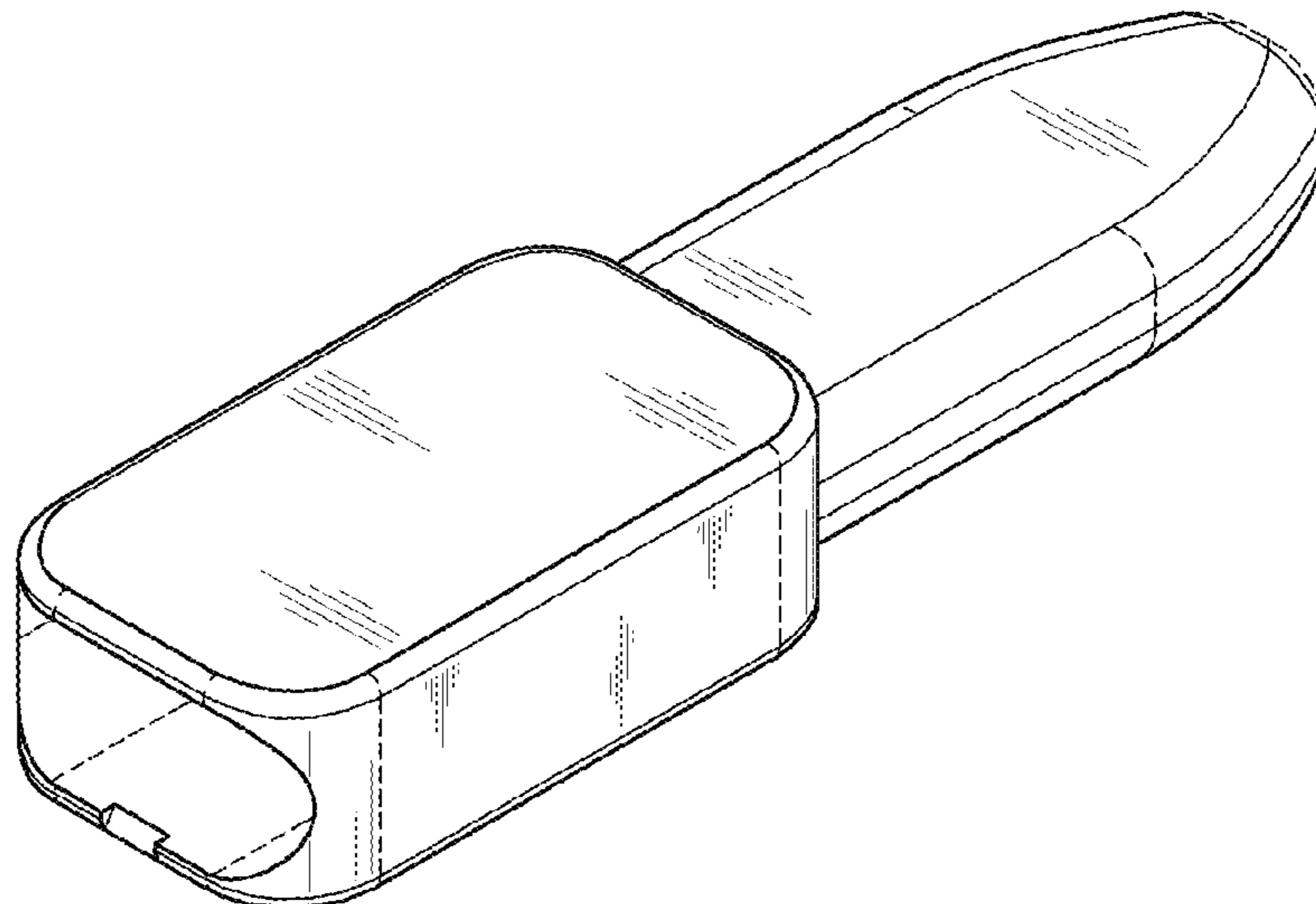
FIG. 1 is a top perspective view of a blood collection device,
showing our new design;
FIG. 2 is a bottom perspective view of a blood collection
device;
FIG. 3 is a side view thereof; and,
FIG. 4 is a proximal end view thereof.
The broken lines are included for the purpose of illustrating
unclaimed portions of the blood collection device and form
no part of the claimed design.

1 Claim, 2 Drawing Sheets

(56) **References Cited**

U.S. PATENT DOCUMENTS

5,366,609 A * 11/1994 White G01N 33/48792
204/403.04
5,504,011 A 4/1996 Gavin et al.
6,027,459 A 2/2000 Shain et al.
D424,696 S * 5/2000 Ray D24/169
6,283,982 B1 * 9/2001 Levaughn A61B 5/150022
606/172
6,491,709 B2 * 12/2002 Sharma A61B 5/150022
604/164.06
D600,349 S * 9/2009 Bell D24/169



(56)

References Cited

U.S. PATENT DOCUMENTS

9,445,785 B2 * 9/2016 Clingman A61B 8/46
2004/0092997 A1 * 5/2004 Levin A61B 5/151
606/181
2005/0149090 A1 7/2005 Morita et al.
2008/0208079 A1 * 8/2008 Hein A61B 5/150022
600/583
2009/0177117 A1 * 7/2009 Amano A61B 5/14532
600/583
2011/0160614 A1 * 6/2011 Fujiwara A61B 5/14532
600/576
2012/0143151 A1 6/2012 Low et al.
2013/0197332 A1 8/2013 Lucisano et al.
2014/0073990 A1 3/2014 Holmes et al.

OTHER PUBLICATIONS

Advisory Action dated Jun. 12, 2015 for U.S. Appl. No. 29/466,436.
Advisory Action dated Jul. 1, 2015 for U.S. Appl. No. 29/466,434.
Advisory Action dated Jul. 22, 2015 for U.S. Appl. No. 29/466,435.
Notice of Allowance dated Aug. 12, 2015 for U.S. Appl. No. 29/466,436.
Notice of Allowance dated Aug. 12, 2015 for U.S. Appl. No. 29/466,437.
Office Action dated Nov. 21, 2014 for U.S. Appl. No. 29/466,434.
Office Action dated Nov. 21, 2014 for U.S. Appl. No. 29/466,435.
Office Action dated Nov. 21, 2014 for U.S. Appl. No. 29/466,436.
Office Action dated Nov. 21, 2014 for U.S. Appl. No. 29/466,437.
Office Action dated Apr. 10, 2015 for U.S. Appl. No. 29/466,437.
Office Action dated Apr. 13, 2015 for U.S. Appl. No. 29/466,436.
Office Action dated Apr. 27, 2015 for U.S. Appl. No. 29/466,434.
Office Action dated Apr. 27, 2015 for U.S. Appl. No. 29/466,435.
Notice of Allowance dated Aug. 28, 2015 for U.S. Appl. No. 29/466,434.

* cited by examiner

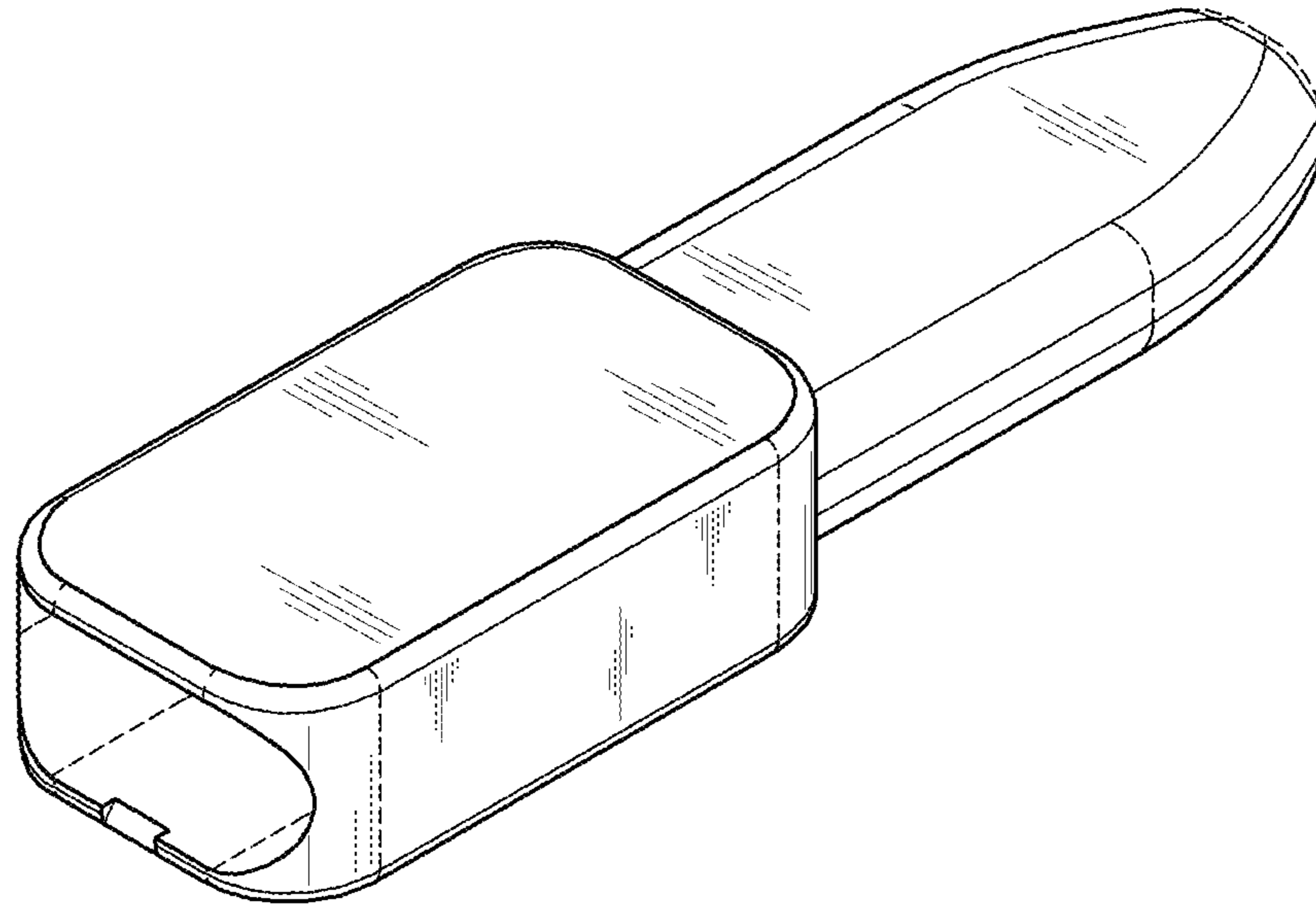


FIG. 1

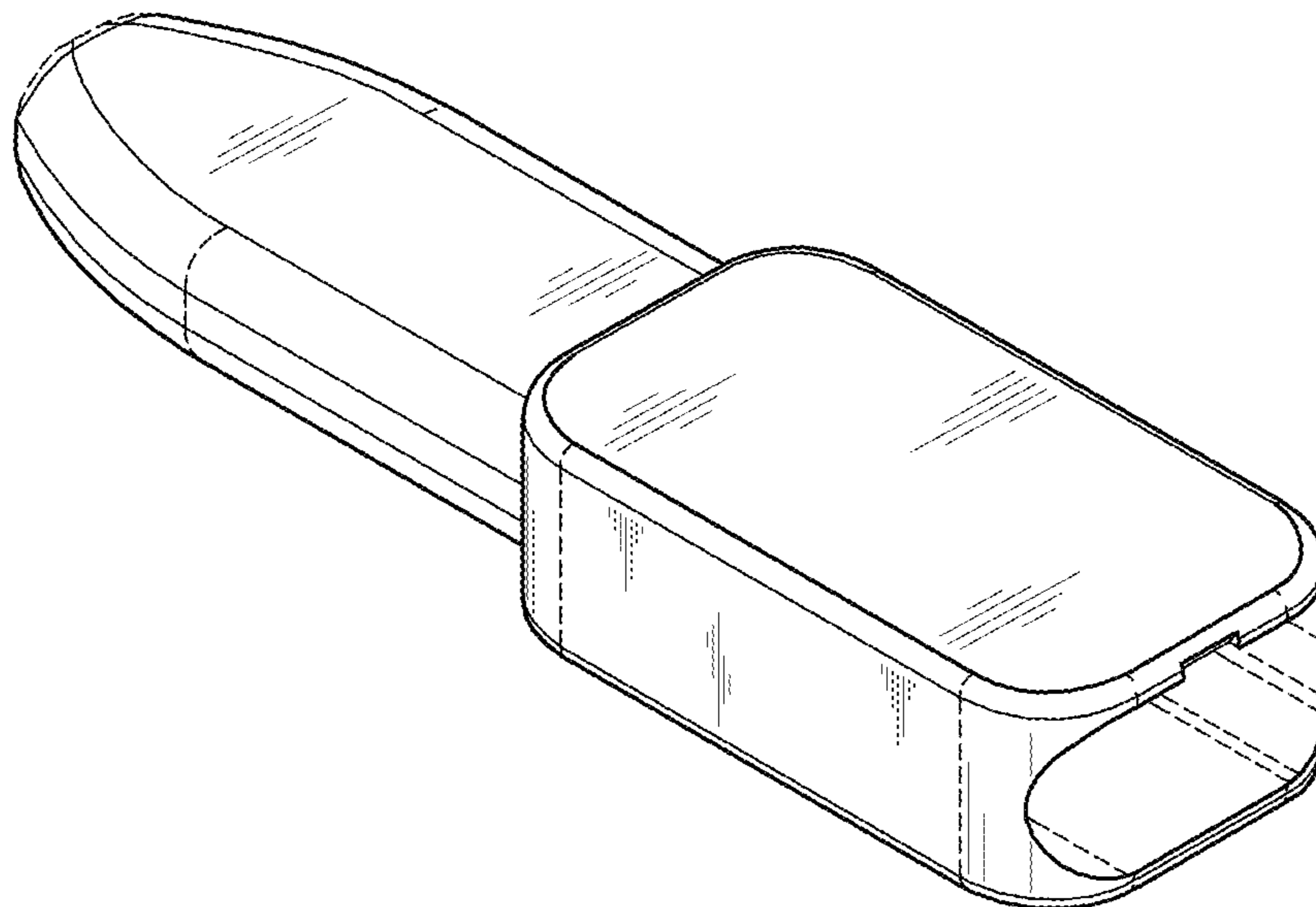


FIG. 2

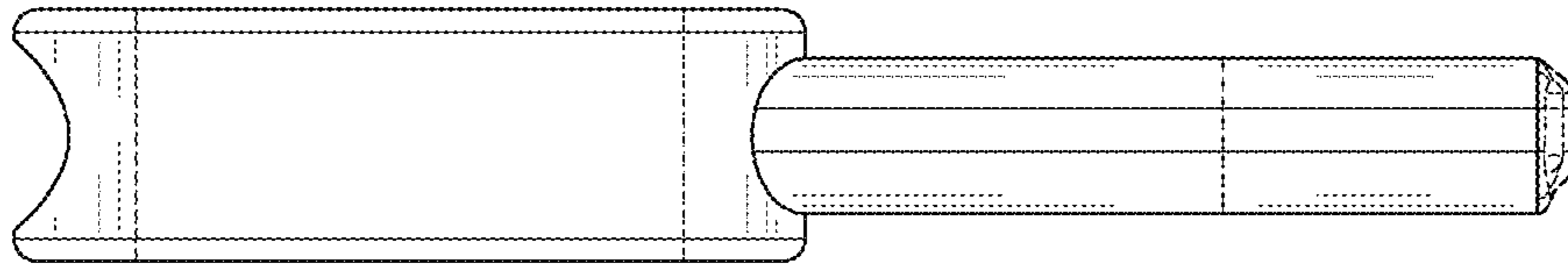


FIG. 3

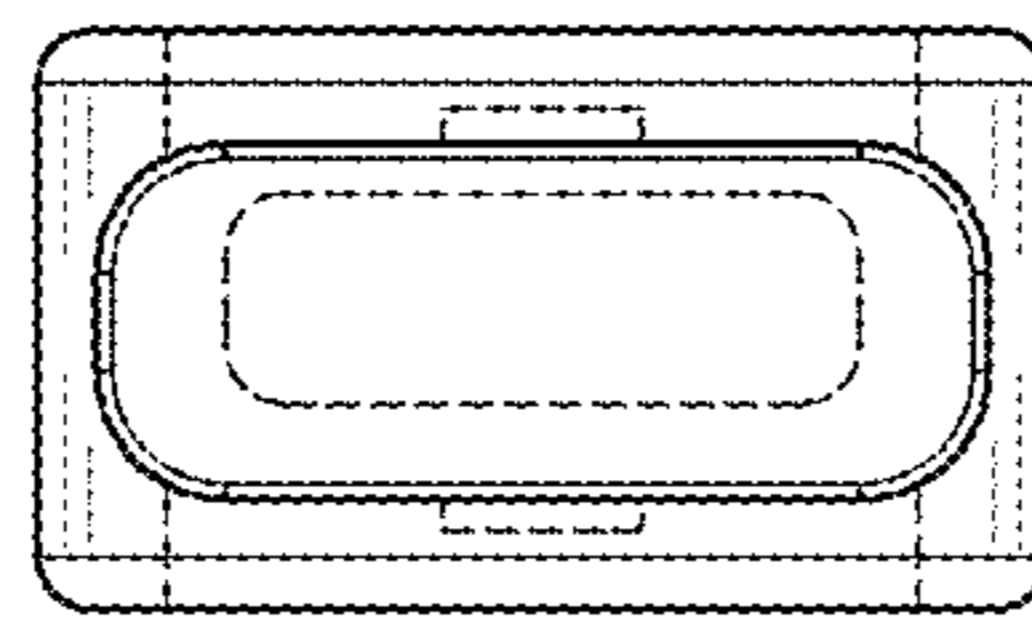


FIG. 4