



US00D785781S

(12) **United States Design Patent** (10) **Patent No.:** **US D785,781 S**  
**Chan** (45) **Date of Patent:** **\*\* May 2, 2017**

(54) **SAMPLE CONSUMABLE**  
(71) Applicant: **Eugene Y. Chan**, Boston, MA (US)  
(72) Inventor: **Eugene Y. Chan**, Boston, MA (US)  
(73) Assignee: **DNA Medicine Institute, Inc.**,  
Cambridge, MA (US)  
(\*\*) Term: **14 Years**  
(21) Appl. No.: **29/484,774**  
(22) Filed: **Mar. 12, 2014**  
(51) **LOC (10) Cl.** ..... **24-02**  
(52) **U.S. Cl.**  
USPC ..... **D24/112**  
(58) **Field of Classification Search**  
USPC ..... D24/127–131, 112–114, 133, 186;  
606/181, 185; 604/264, 272, 115, 232,  
604/187, 158, 164.08, 192, 263, 163, 181,  
604/184, 198, 227; 600/101, 139, 143;  
128/200.24, 207.14, 207.15  
CPC ..... G01N 35/10; G01N 30/00; G01N 35/1011  
See application file for complete search history.

D529,603 S \* 10/2006 Knickerbocker ..... D24/110  
7,296,782 B2 \* 11/2007 Enerson ..... F16K 15/141  
251/149.6  
7,736,342 B2 \* 6/2010 Abriles ..... A61M 5/158  
604/162  
D690,024 S \* 9/2013 Sauro ..... D24/219  
D690,418 S \* 9/2013 Rosenquist ..... D24/129  
8,758,306 B2 \* 6/2014 Lopez ..... A61M 39/10  
604/247  
D714,935 S \* 10/2014 Nishioka ..... D24/130  
D715,146 S \* 10/2014 Holmes ..... D9/447  
8,961,552 B2 \* 2/2015 Fischvogt ..... A61B 17/3496  
606/184  
D733,292 S \* 6/2015 Rogers ..... D24/129  
D736,914 S \* 8/2015 Schultz ..... D24/129  
D736,915 S \* 8/2015 Schultz ..... D24/129  
D737,962 S \* 9/2015 Schultz ..... D24/129  
2004/0215148 A1 \* 10/2004 Hwang ..... A61M 5/3134  
604/187

(Continued)

*Primary Examiner* — David Muller  
*Assistant Examiner* — Nathan Johnston  
(74) *Attorney, Agent, or Firm* — Danielson Legal LLC

(57) **CLAIM**

The ornamental design for a sample consumable, as shown and described.

**DESCRIPTION**

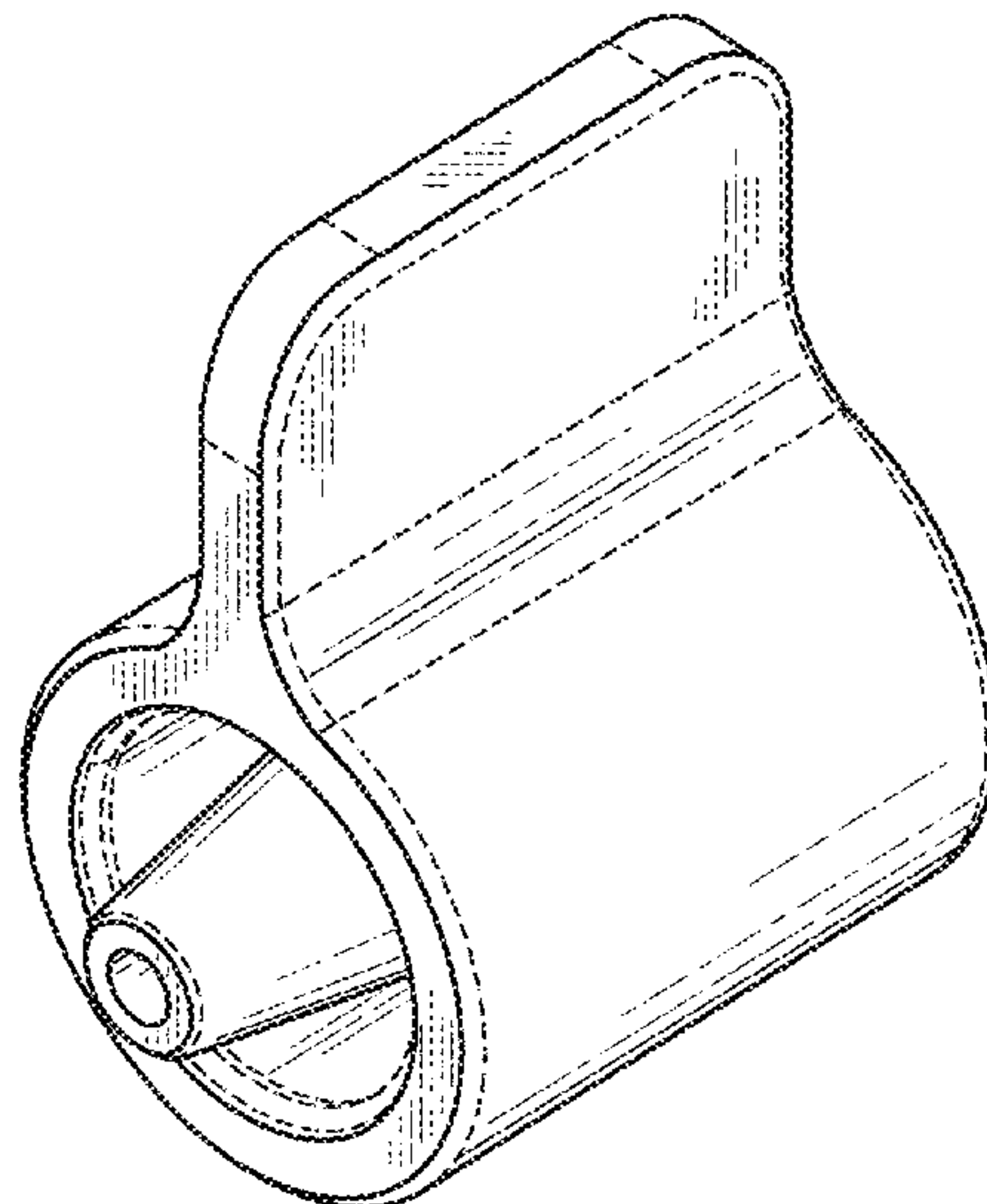
FIG. 1 is the front elevation view of a sample consumable showing my new design;  
FIG. 2 is a side elevation view thereof;  
FIG. 3 is an isometric view thereof;  
FIG. 4 is a rear elevation view thereof;  
FIG. 5 is a section view thereof; and,  
FIG. 6 is a top plan view thereof.  
The broken line showing of sample consumable is included for the purpose of illustrating portions of the “article” and forms no part of the claimed design.

**1 Claim, 6 Drawing Sheets**

(56) **References Cited**

**U.S. PATENT DOCUMENTS**

D342,141 S \* 12/1993 Baxter ..... D24/224  
D362,718 S \* 9/1995 Deily ..... D24/129  
5,535,771 A \* 7/1996 Purdy ..... A61M 39/0606  
137/15.01  
5,941,857 A \* 8/1999 Nguyen ..... A61M 5/3205  
604/195  
6,086,561 A \* 7/2000 Kriesel ..... A61M 5/152  
604/133  
D471,272 S \* 3/2003 Douglas ..... D24/108  
6,551,346 B2 \* 4/2003 Crossley ..... A61N 5/0601  
422/186  
D474,839 S \* 5/2003 Francavilla ..... D24/129  
D483,487 S \* 12/2003 Harding ..... D24/129



(56)

**References Cited**

U.S. PATENT DOCUMENTS

2013/0150795 A1\* 6/2013 Snow ..... A61M 39/06  
604/174  
2013/0331692 A1\* 12/2013 Mouri ..... A61M 39/10  
600/435  
2015/0260745 A1\* 9/2015 Chan ..... G01N 35/10  
73/61.59

\* cited by examiner

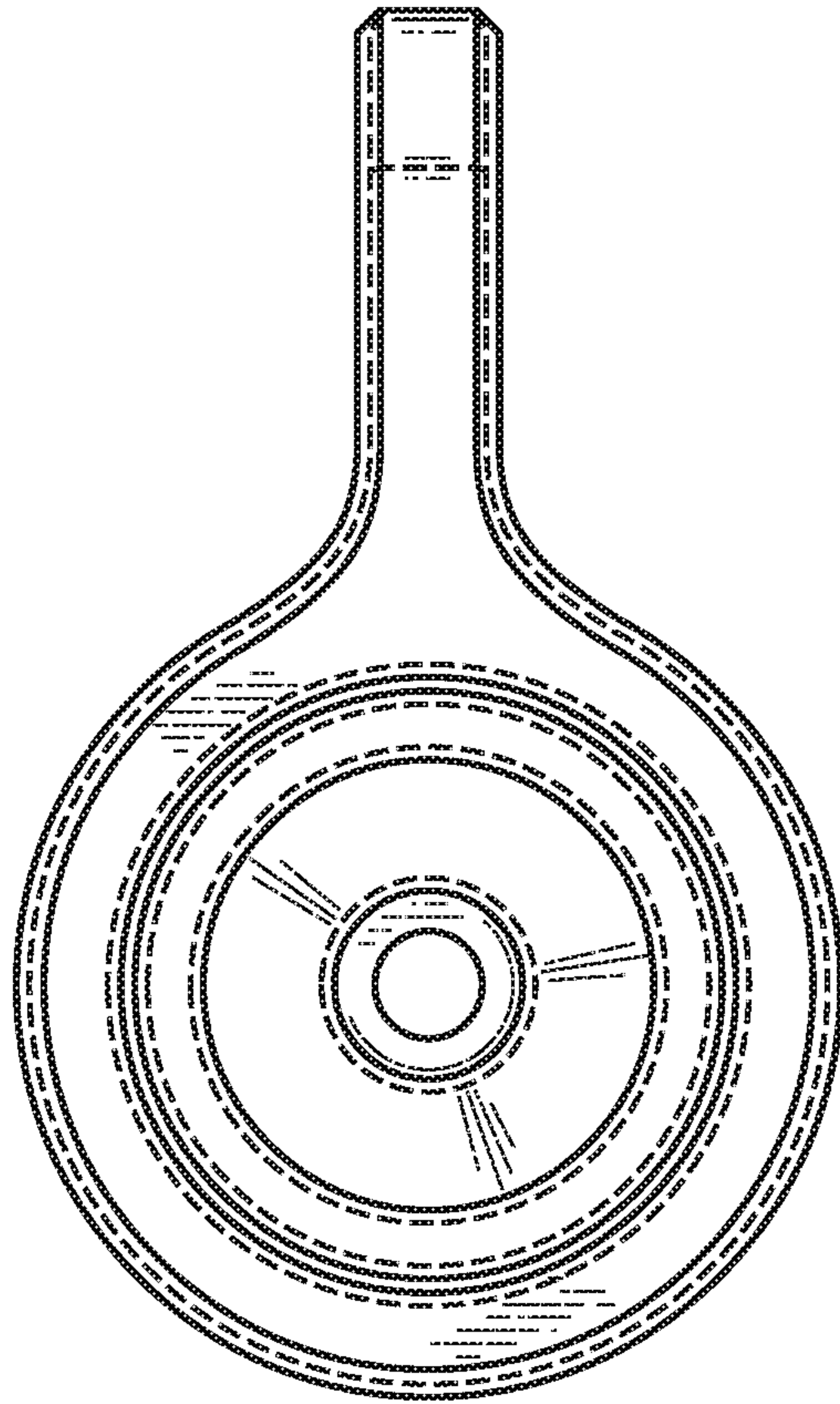


FIG. 1

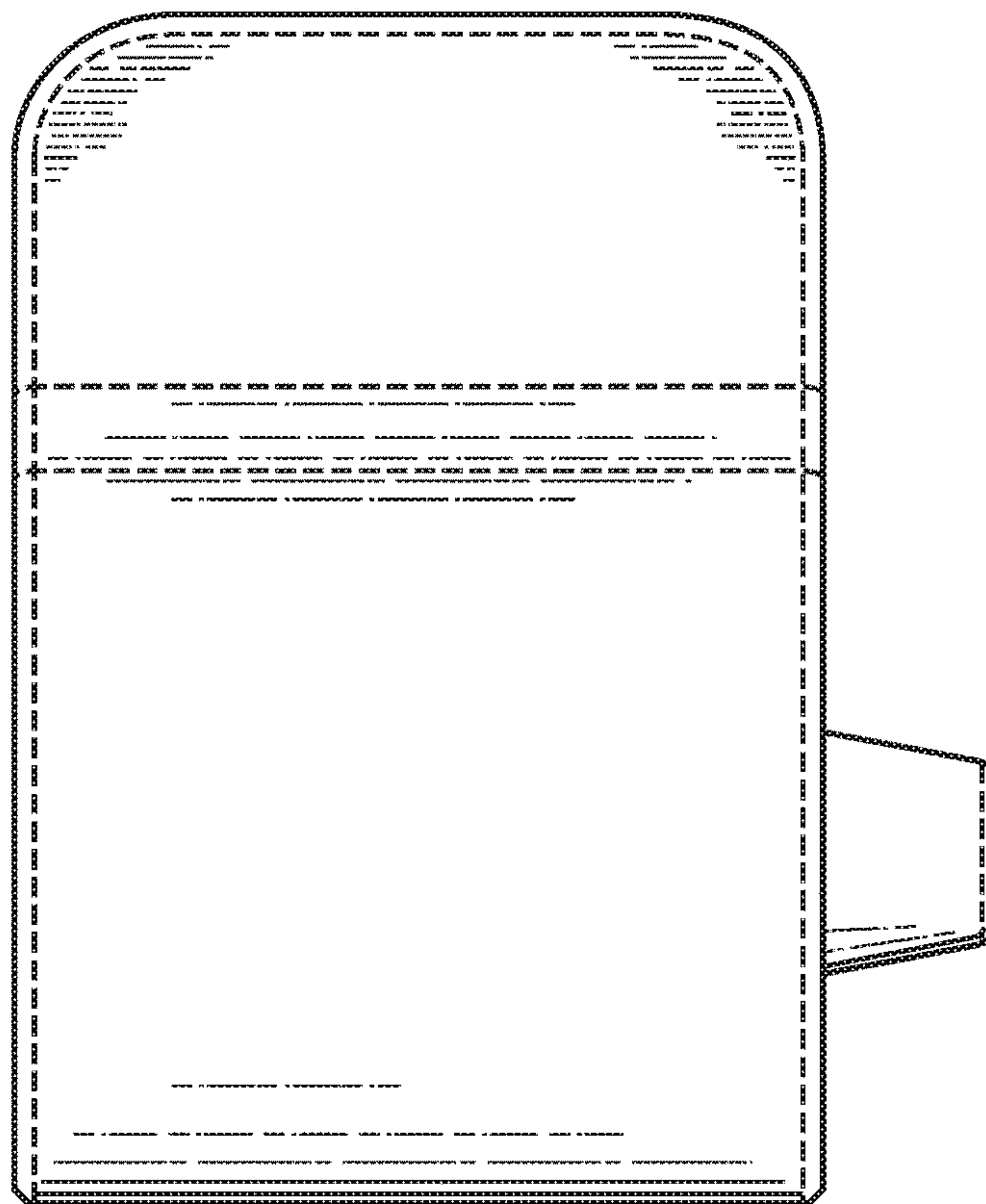


FIG. 2

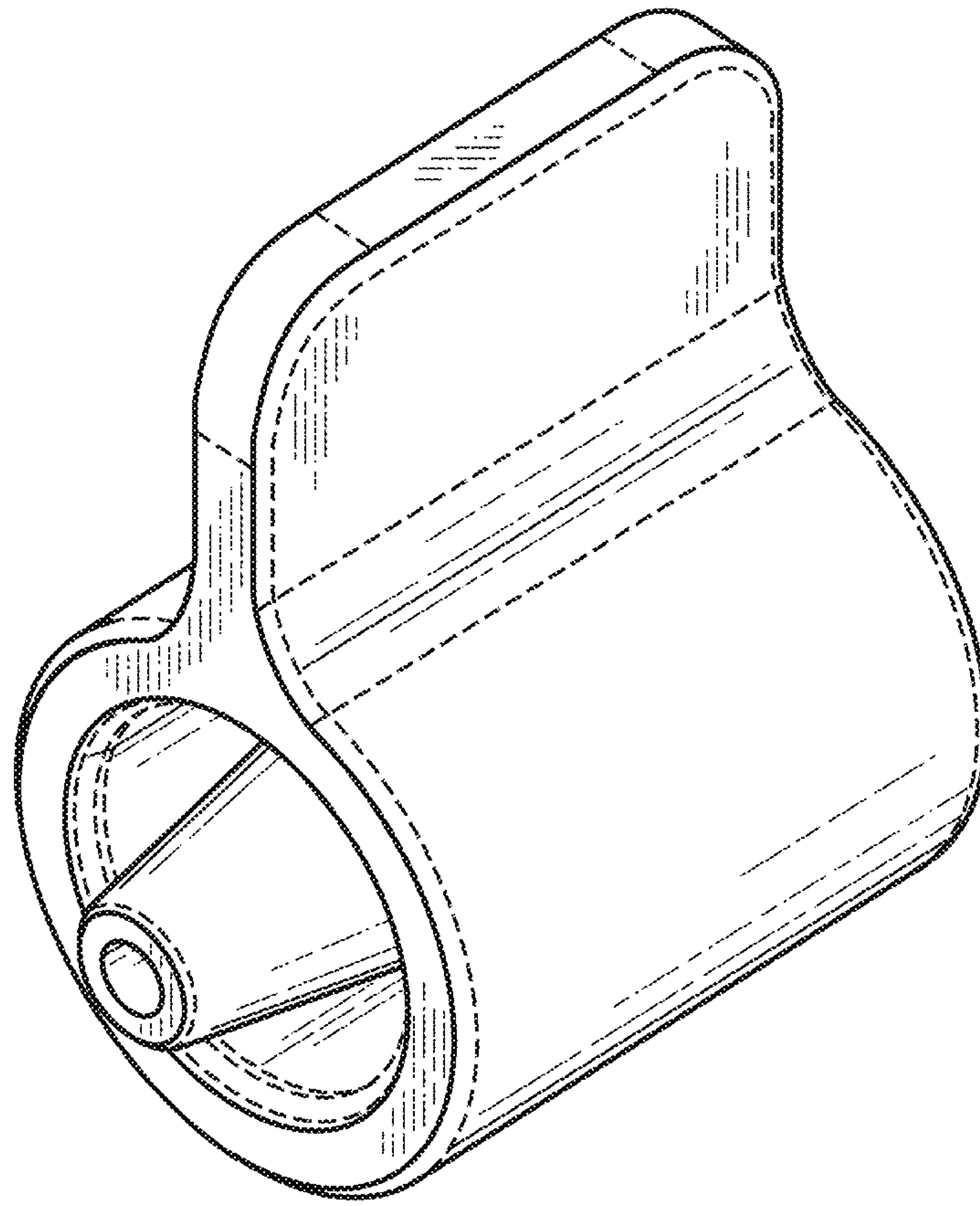


FIG. 3



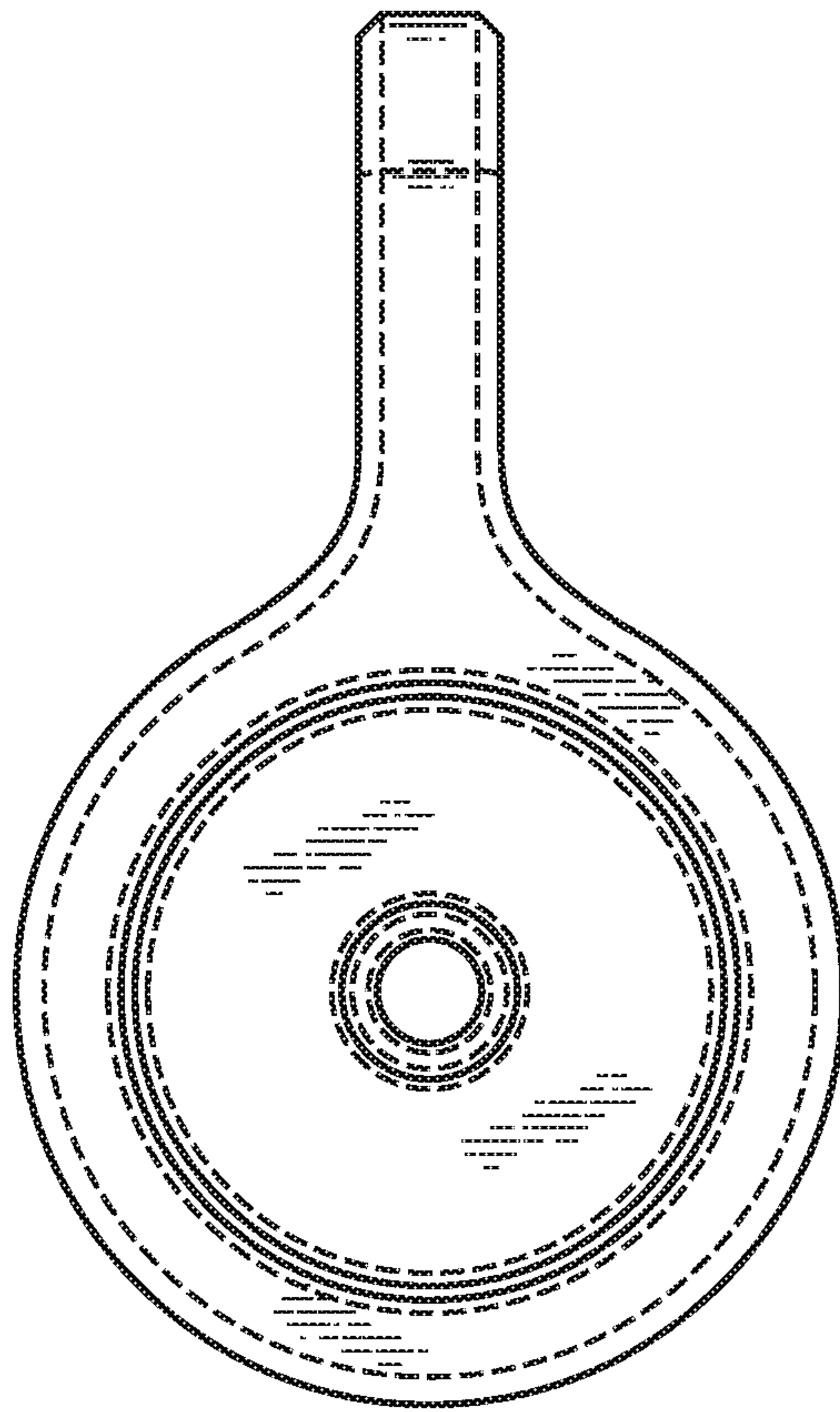


FIG. 4

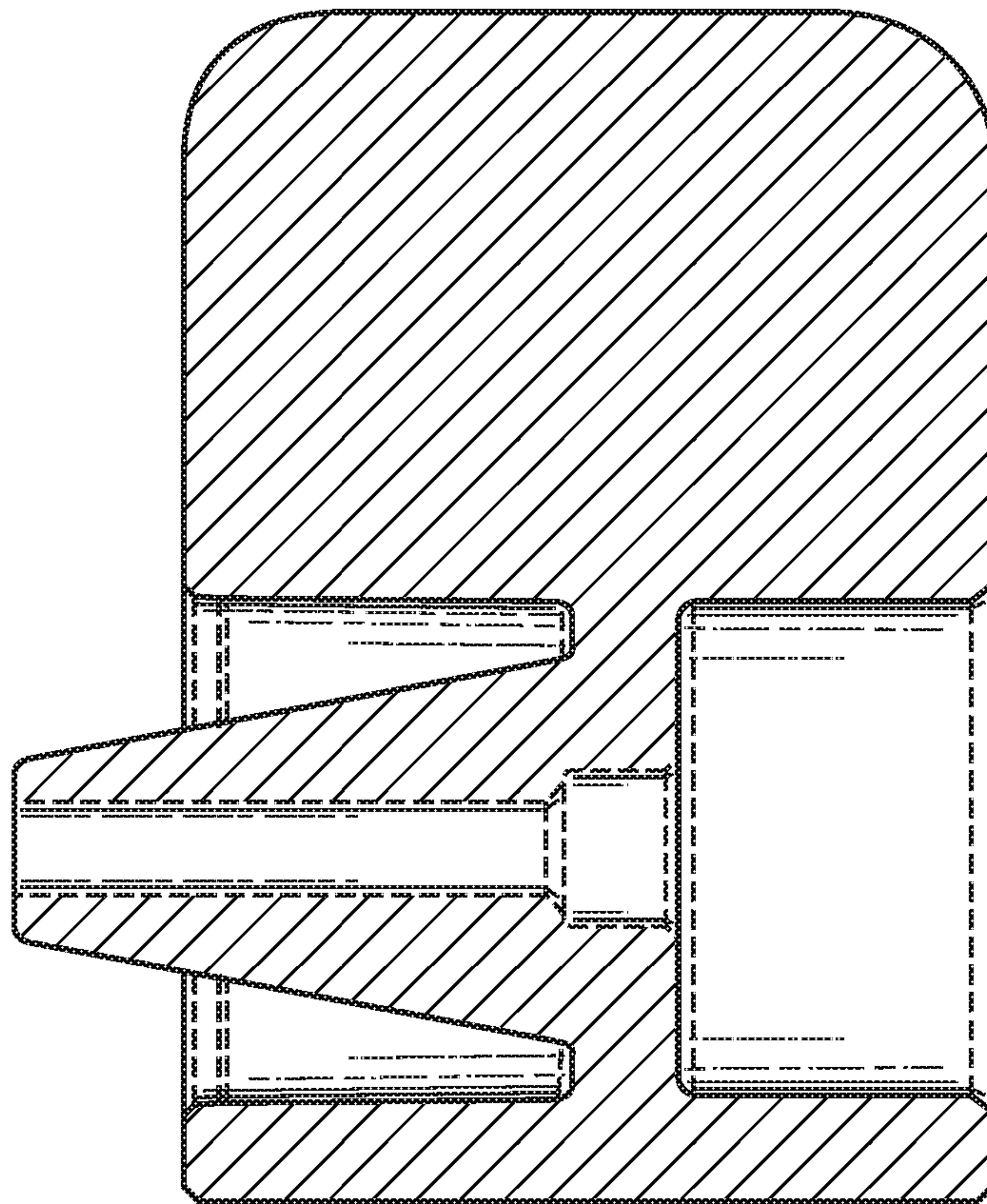


FIG. 5

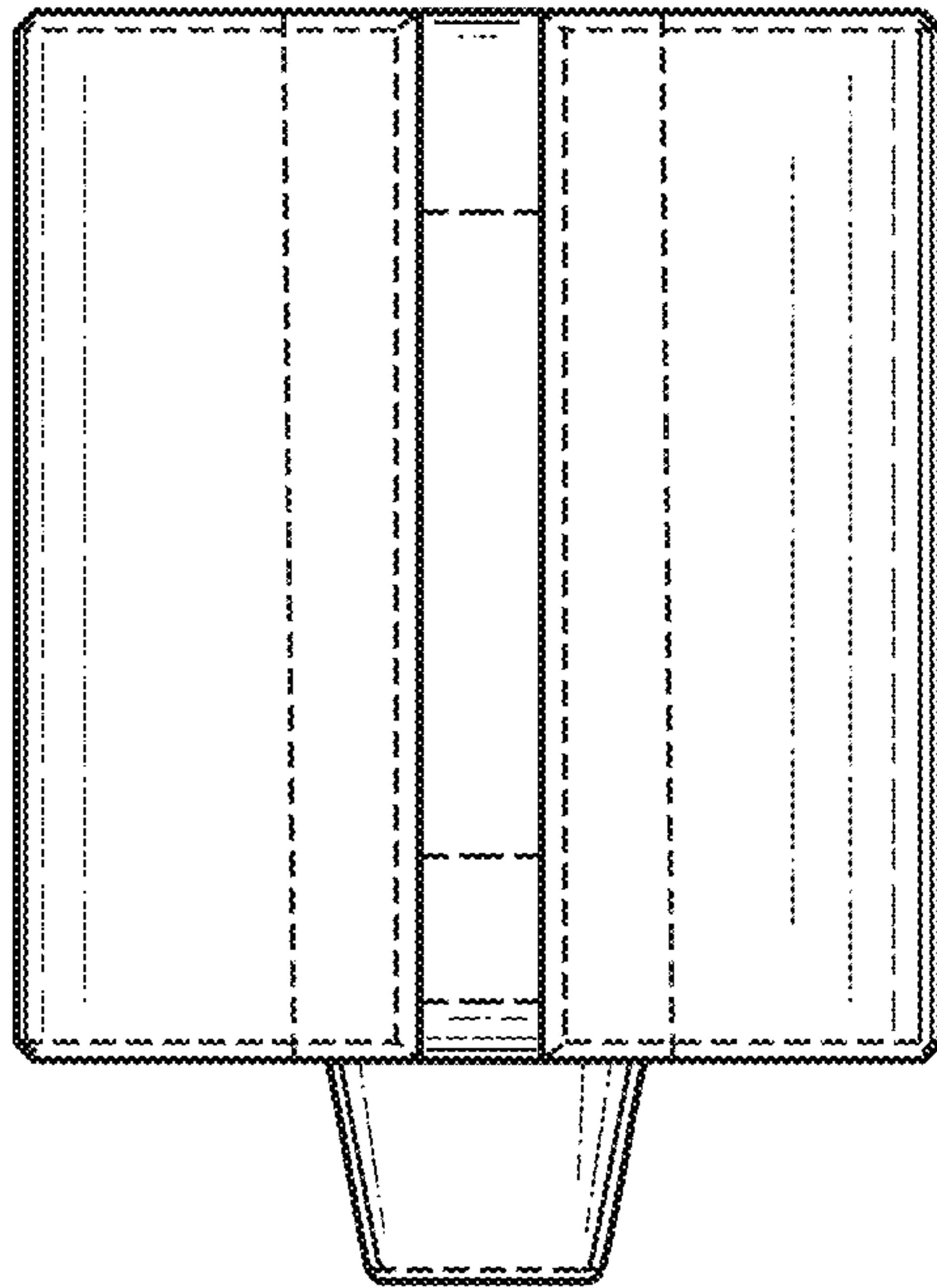


FIG. 6