



US00D785778S

(12) **United States Design Patent** (10) **Patent No.:** **US D785,778 S**
Gibb et al. (45) **Date of Patent:** **** May 2, 2017**

(54) **FUEL TANK FRAME ASSEMBLY**

- (71) Applicant: **WORTHINGTON INDUSTRIES,**
Columbus, OH (US)
- (72) Inventors: **Gary Gibb,** Stow, OH (US); **Michael Pintz,** Fairview Park, OH (US);
Stephen Polatas, North Canton, OH (US)
- (73) Assignee: **WORTHINGTON INDUSTRIES, INC.,** Columbus, OH (US)
- (**) Term: **14 Years**
- (21) Appl. No.: **29/525,965**
- (22) Filed: **May 5, 2015**

Related U.S. Application Data

- (63) Continuation-in-part of application No. 29/473,255, filed on Nov. 20, 2013, now abandoned, and a
(Continued)
- (51) **LOC (10) Cl.** **23-01**
- (52) **U.S. Cl.**
USPC **D23/499**
- (58) **Field of Classification Search**
USPC D23/403, 409, 410, 415-422, 499;
D7/403, 404
CPC A47B 91/005; B65D 1/38; B65D 9/10;
B65D 11/14; B65D 19/02; B65D 19/07;
B65D 19/0006; B65D 19/0075; C10L
5/365; F17C 13/08; F17C 2205/01; F17C
2205/0107; F17C 2205/018; F24B 1/191;
F24B 1/193; F24B 1/199
See application file for complete search history.

(56) **References Cited**

U.S. PATENT DOCUMENTS

- 44,342 A * 9/1864 Sawyer C10F 7/06
44/491
- D29,841 S * 12/1898 Vrooman D23/422
(Continued)

OTHER PUBLICATIONS

- TX 525 Compact Utility Loader found at <https://www.toro.com/en-GB/parts/partdetails/?id=33211> on Sep. 23, 2016.*
- Primary Examiner* — Karen S Acker
- (74) *Attorney, Agent, or Firm* — Tucker Ellis LLP; Carlos Garritano

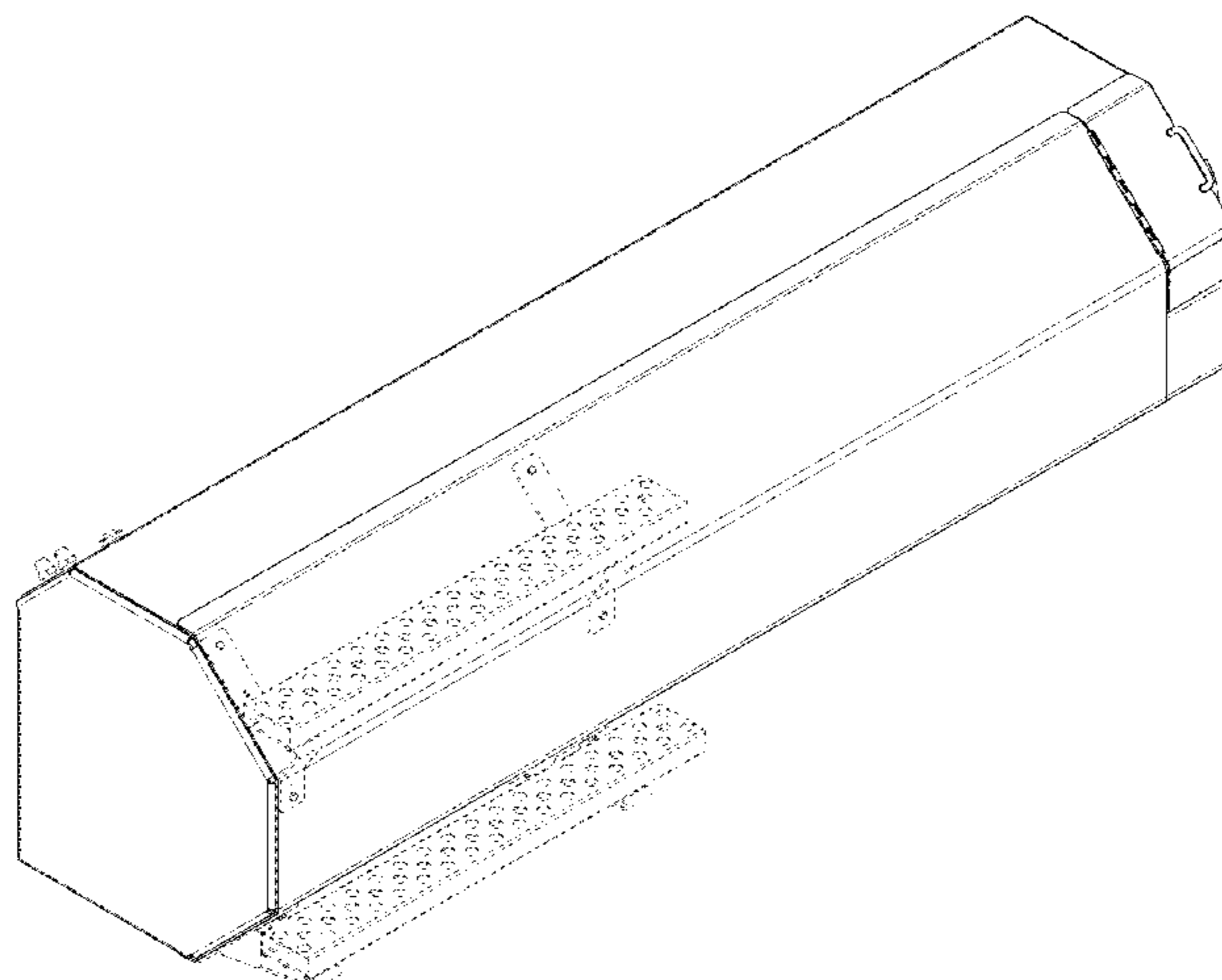
(57) **CLAIM**

The ornamental design for a fuel tank frame assembly, as shown and described.

DESCRIPTION

FIG. 1 is a perspective view of a fuel tank frame assembly; FIG. 2 is a front view of the fuel tank frame assembly of FIG. 1; FIG. 3 is a back view of the fuel tank frame assembly of FIG. 1; FIG. 4 is a first side view of the fuel tank frame assembly of FIG. 1; FIG. 5 is a second side view of the fuel tank frame assembly of FIG. 1, wherein the second side is opposite the first side of FIG. 4; FIG. 6 is a top view of the fuel tank frame assembly of FIG. 1; and FIG. 7 is bottom side of the fuel tank frame assembly of FIG. 1; and, FIG. 8 is an enlarged detail view of the latch assembly of the fuel tank frame assembly circumscribed within FIG. 3. The broken lines in the drawings depict portions of the fuel tank frame assembly that form no part of the claimed design. The dot dash dot broken lines indicating the area of the detail in FIGS. 3 and 8 form no part of the claimed design.

1 Claim, 7 Drawing Sheets



Related U.S. Application Data

continuation of application No. 14/085,369, filed on
Nov. 20, 2013, now Pat. No. 9,086,187.

(56)

References Cited

U.S. PATENT DOCUMENTS

4,471,757 A * 9/1984 Rogers F24B 1/193
126/152 B
6,240,909 B1 * 6/2001 Scott F02B 43/00
123/525
6,257,360 B1 * 7/2001 Wozniak B60K 15/013
180/69.5
6,648,130 B1 * 11/2003 Hasson F17C 13/08
206/0.7
D694,167 S * 11/2013 Forsberg D12/218
D695,202 S * 12/2013 Forsberg D12/218
D697,195 S * 1/2014 Gibb D23/499
8,807,256 B2 * 8/2014 Gibb F17C 1/00
180/69.5
9,340,108 B2 * 5/2016 Goedken B60K 15/07
9,428,333 B2 * 8/2016 Simmons B60K 15/07
2011/0056481 A1 * 3/2011 Binzer F23Q 9/045
126/512
2013/0309507 A1 * 11/2013 Lau B32B 21/042
428/425.1
2014/0212822 A1 * 7/2014 Kirby F17C 7/04
431/7
2015/0008228 A1 * 1/2015 Zrim F17C 3/022
220/560.12

* cited by examiner

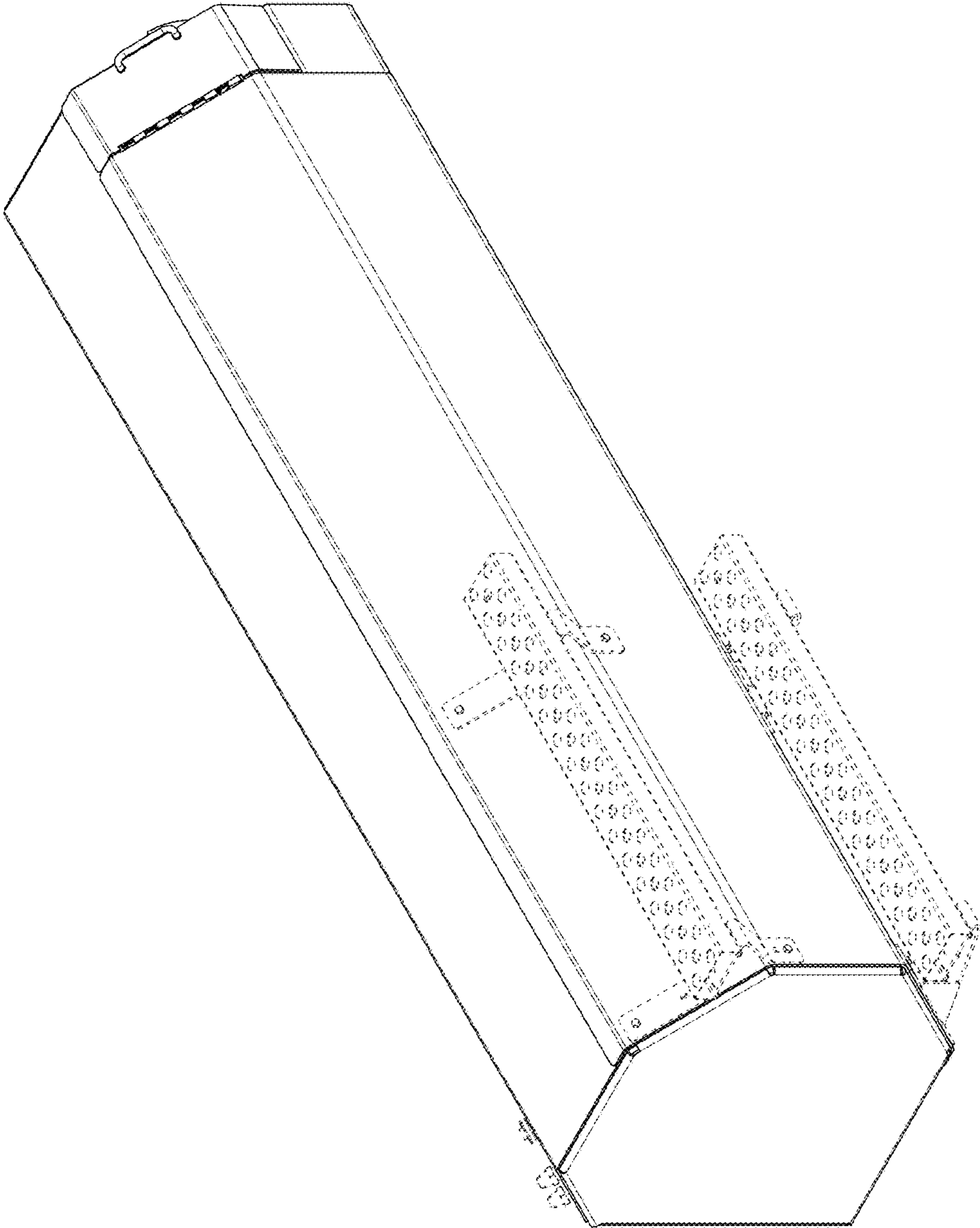


FIG. 1

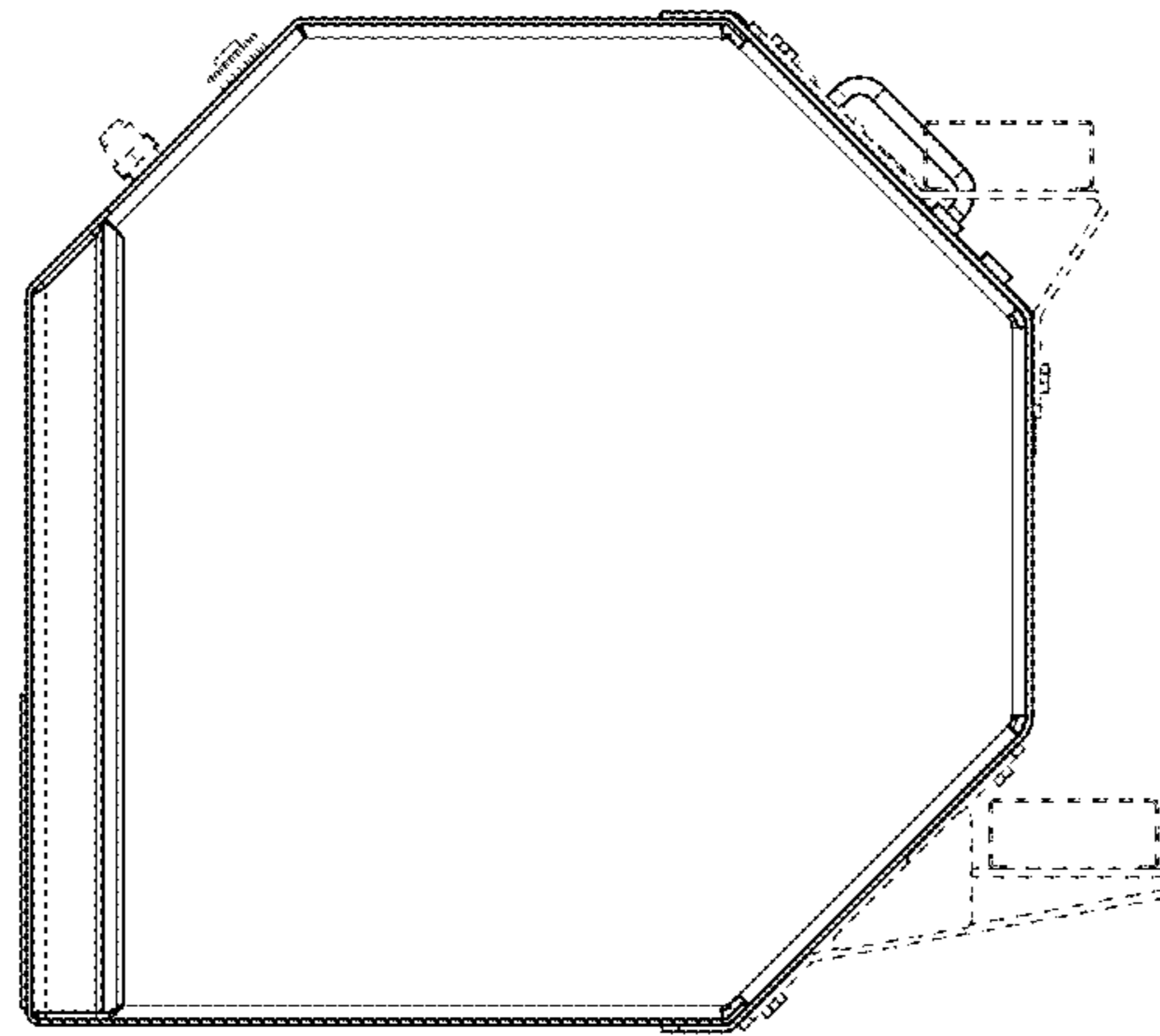


FIG. 2

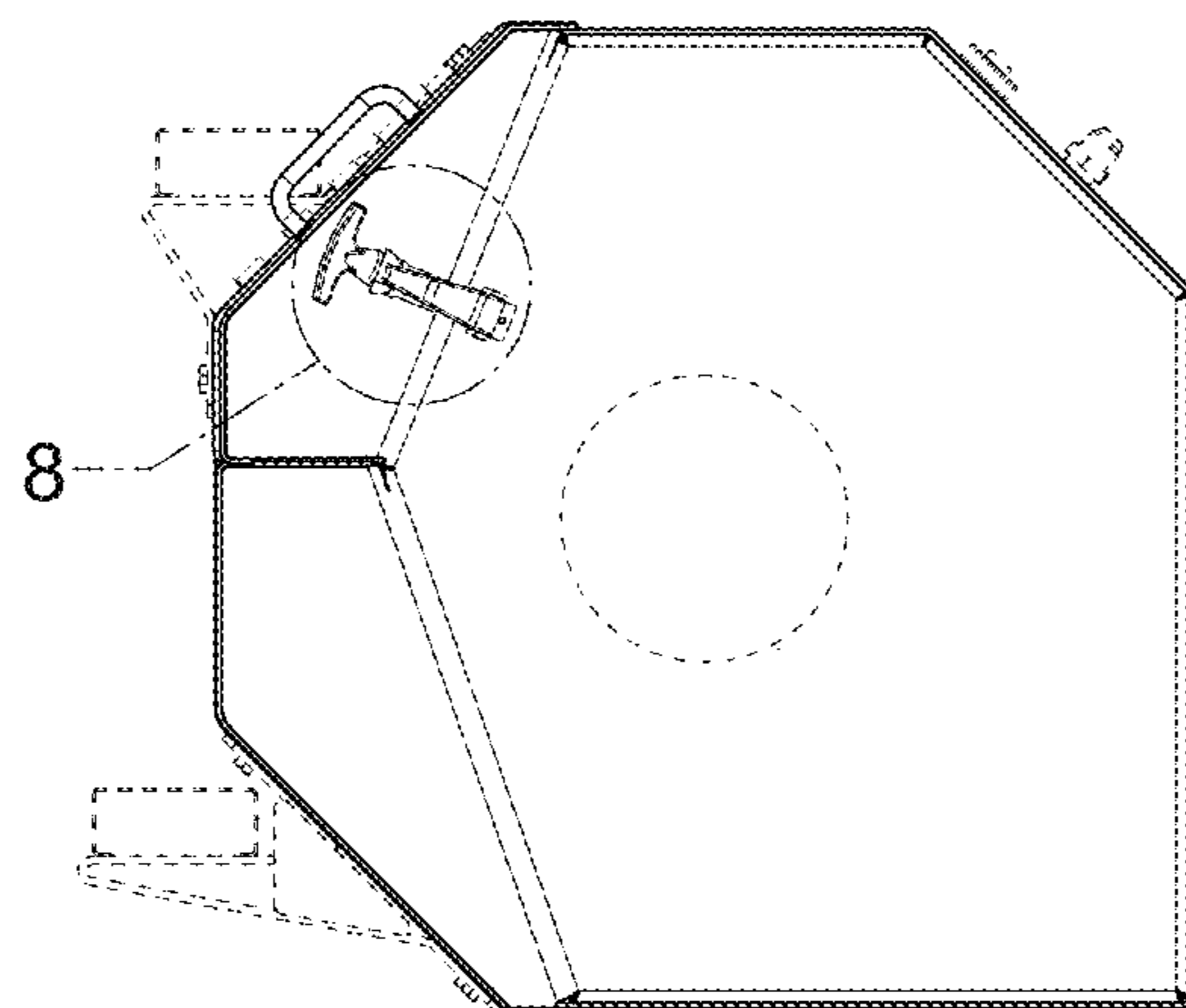


FIG. 3

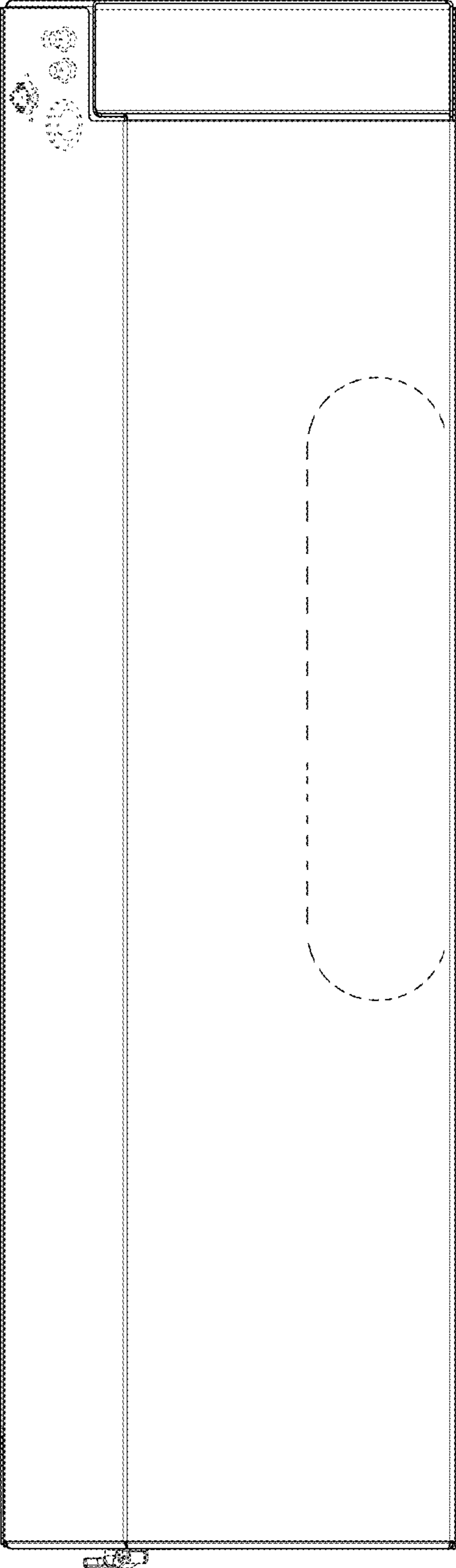


FIG. 4

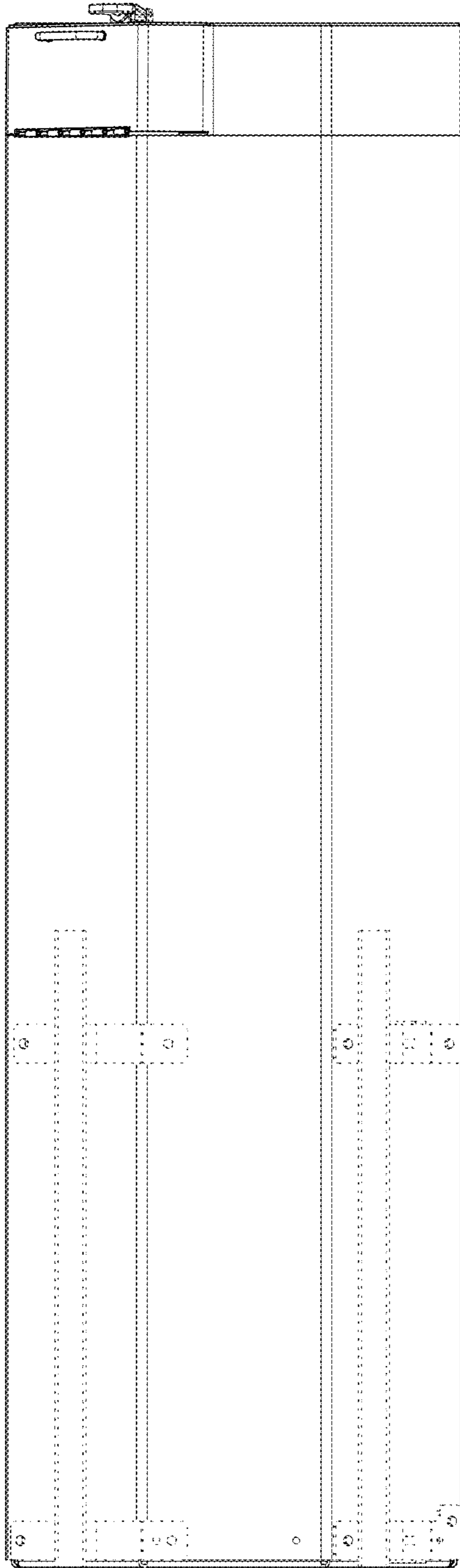


FIG. 5

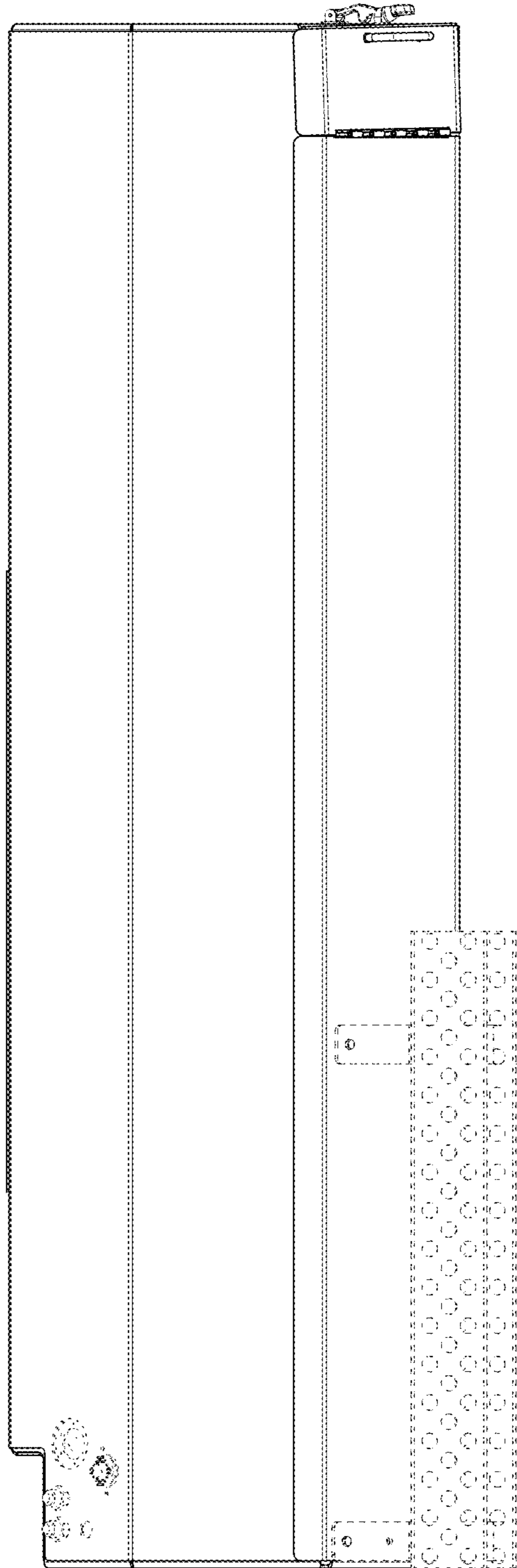


FIG. 6

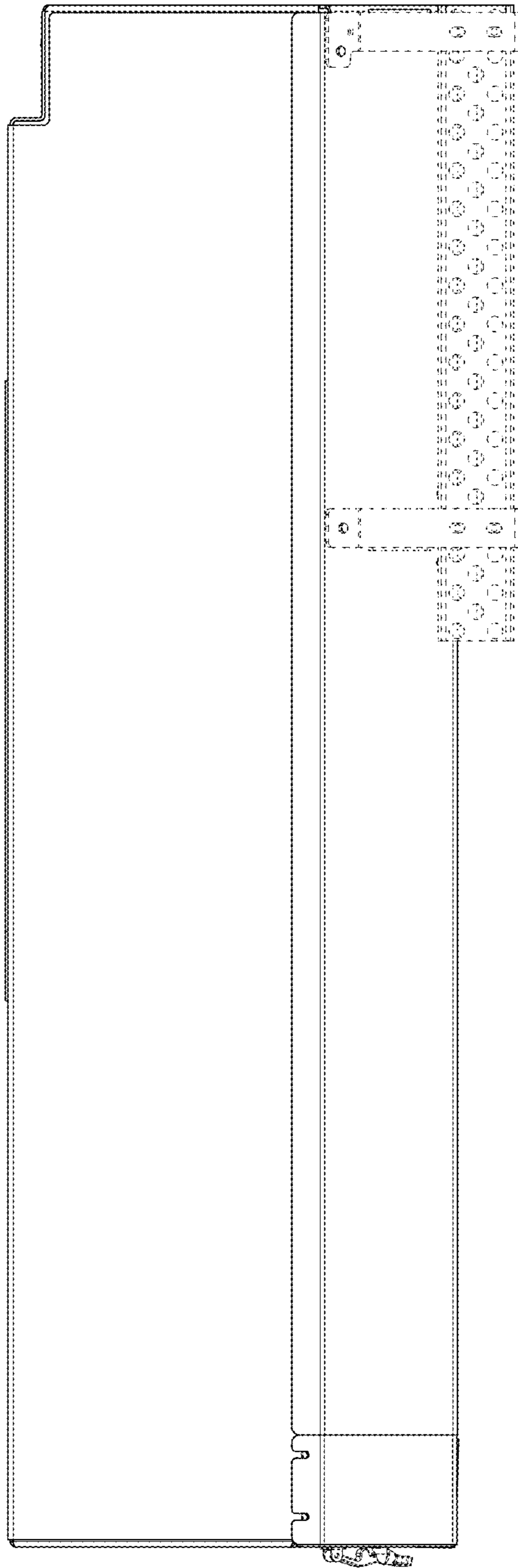


FIG. 7

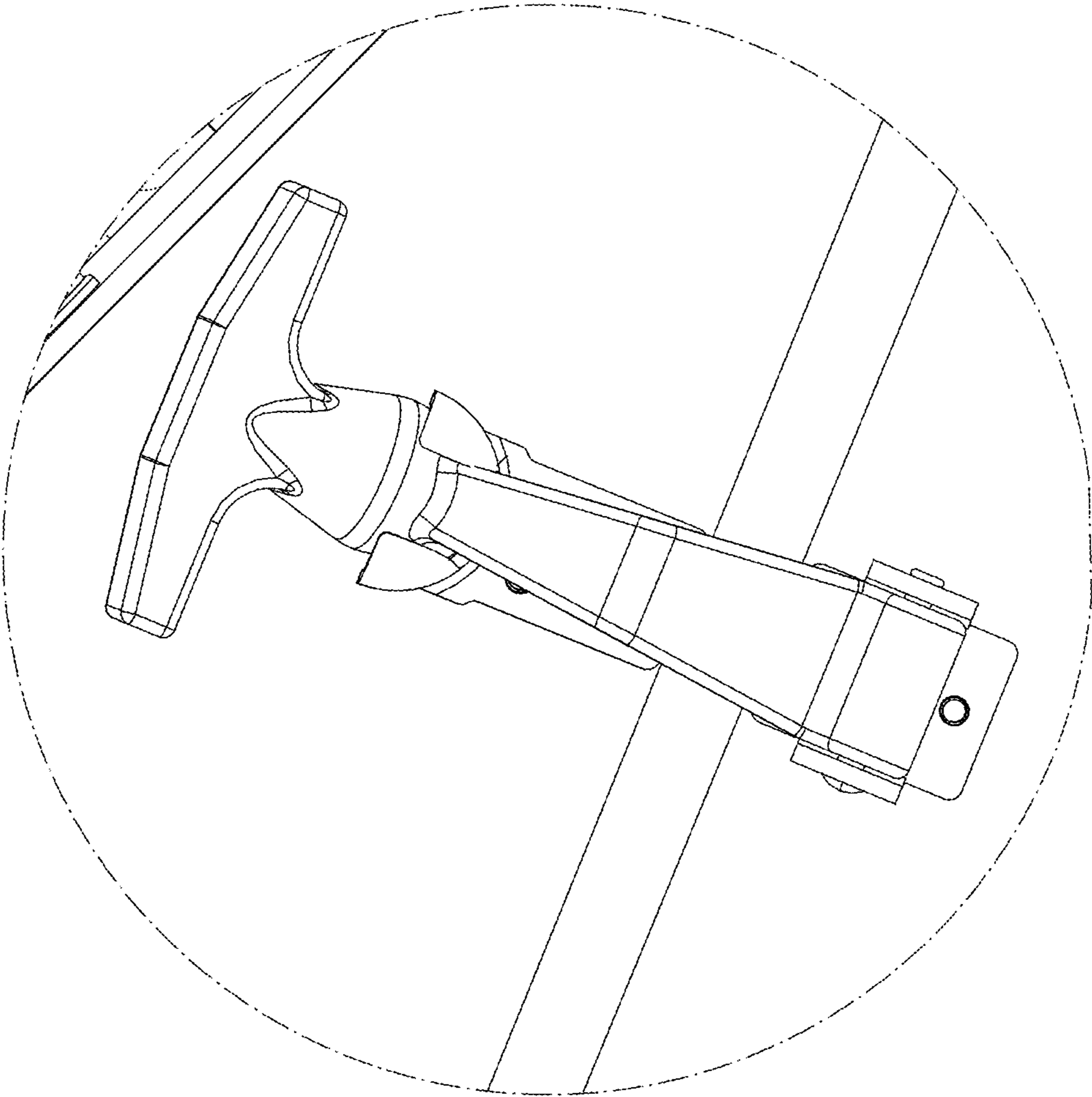


FIG. 8