



US00D785774S

(12) **United States Design Patent** (10) **Patent No.:** **US D785,774 S**  
**Lee et al.** (45) **Date of Patent:** **\*\* May 2, 2017**

(54) **WATER TANK OF DEHUMIDIFIER**

2001/0096; F24F 3/1405; F24F 3/1603;  
F24F 13/222

(71) Applicant: **Samsung Electronics Co., Ltd.**,  
Suwon-si, Gyeonggi-do (KR)

See application file for complete search history.

(72) Inventors: **Kio Lee**, Seoul (KR); **Sunny Shin**,  
Seoul (KR); **Heejae Jeong**, Seoul (KR);  
**Kyoungsoo Sun**, Seoul (KR); **Hoyoung**  
**Joo**, Goyang-si (KR); **Jinsun Park**,  
Seoul (KR)

(56) **References Cited**

U.S. PATENT DOCUMENTS

(73) Assignee: **SAMSUNG ELECTRONICS CO.,**  
**LTD**, Suwon-si, Gyeonggi-Do (KR)

4,428,207	A *	1/1984	Hall	.....	F24F 3/153 236/44 R
5,392,944	A *	2/1995	Jennings	.....	F24F 13/222 220/571
5,884,495	A *	3/1999	Powell	.....	F24F 1/02 200/61.07
6,415,618	B1 *	7/2002	Sul	.....	F24F 3/153 62/188
D488,855	S *	4/2004	Guzzi	.....	D23/366
8,377,292	B2 *	2/2013	Patera	.....	C02F 1/003 141/198
D701,950	S *	4/2014	Chan	.....	D23/342
D709,605	S *	7/2014	Freedman	.....	D23/355
D733,859	S *	7/2015	Hsiao	.....	D23/366
D759,797	S *	6/2016	Farone	.....	D23/355
D772,388	S *	11/2016	Hamilton	.....	D23/356

(\*\*) Term: **15 Years**

(21) Appl. No.: **29/543,262**

(22) Filed: **Oct. 22, 2015**

(Continued)

*Primary Examiner* — David Muller

(30) **Foreign Application Priority Data**

(74) *Attorney, Agent, or Firm* — Cantor Colburn LLP

May 8, 2015 (KR) ..... 30-2015-0023497

(51) **LOC (10) Cl.** ..... **23-04**

(52) **U.S. Cl.**  
USPC ..... **D23/359**

(57) **CLAIM**

The ornamental design for a water tank of dehumidifier, as shown and described.

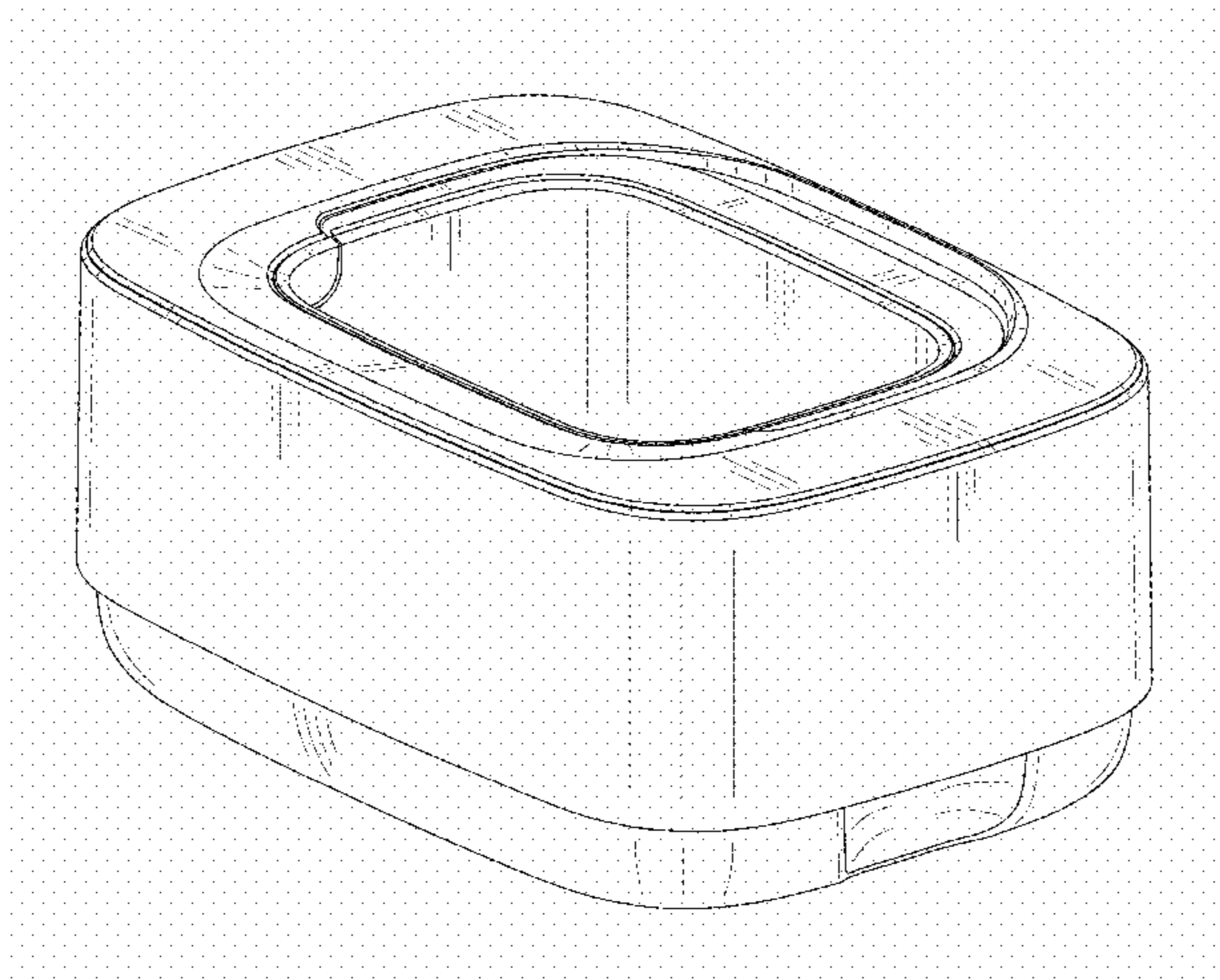
(58) **Field of Classification Search**

USPC ..... D23/355–366, 352, 369, 332, 333, 335,  
D23/336, 342, 351; 422/120, 122;  
55/356, 473, 504; 96/97; 261/DIG. 17,  
261/DIG. 65, DIG. 88, DIG. 31; 62/291,  
62/188  
CPC .. A61L 9/16; A61L 9/22; B01D 47/00; B01D  
47/027; B01D 2221/02; B01D 2259/4508;  
B03C 3/155; B03C 3/368; F24F 3/16;  
F24F 13/20; F24F 13/28; F24F

**DESCRIPTION**

FIG. 1 is a front perspective view of a water tank of dehumidifier showing our new design;  
FIG. 2 is a front view thereof;  
FIG. 3 is a rear view thereof;  
FIG. 4 is a left side elevation view thereof;  
FIG. 5 is a right side elevation view thereof;  
FIG. 6 is a top view thereof;  
FIG. 7 is a bottom view thereof;  
FIG. 8 is a front perspective view thereof in an alternate configuration; and,  
FIG. 9 is a front perspective view thereof in an environment of use.

(Continued)



The broken lines illustrating portions of a dehumidifier are for environmental purposes only and form no part of the claimed design.

**1 Claim, 9 Drawing Sheets**

(56) **References Cited**

U.S. PATENT DOCUMENTS

D773,027 S \* 11/2016 Hu ..... D23/365  
D777,891 S \* 1/2017 Kubota ..... D23/351

\* cited by examiner

FIG. 1

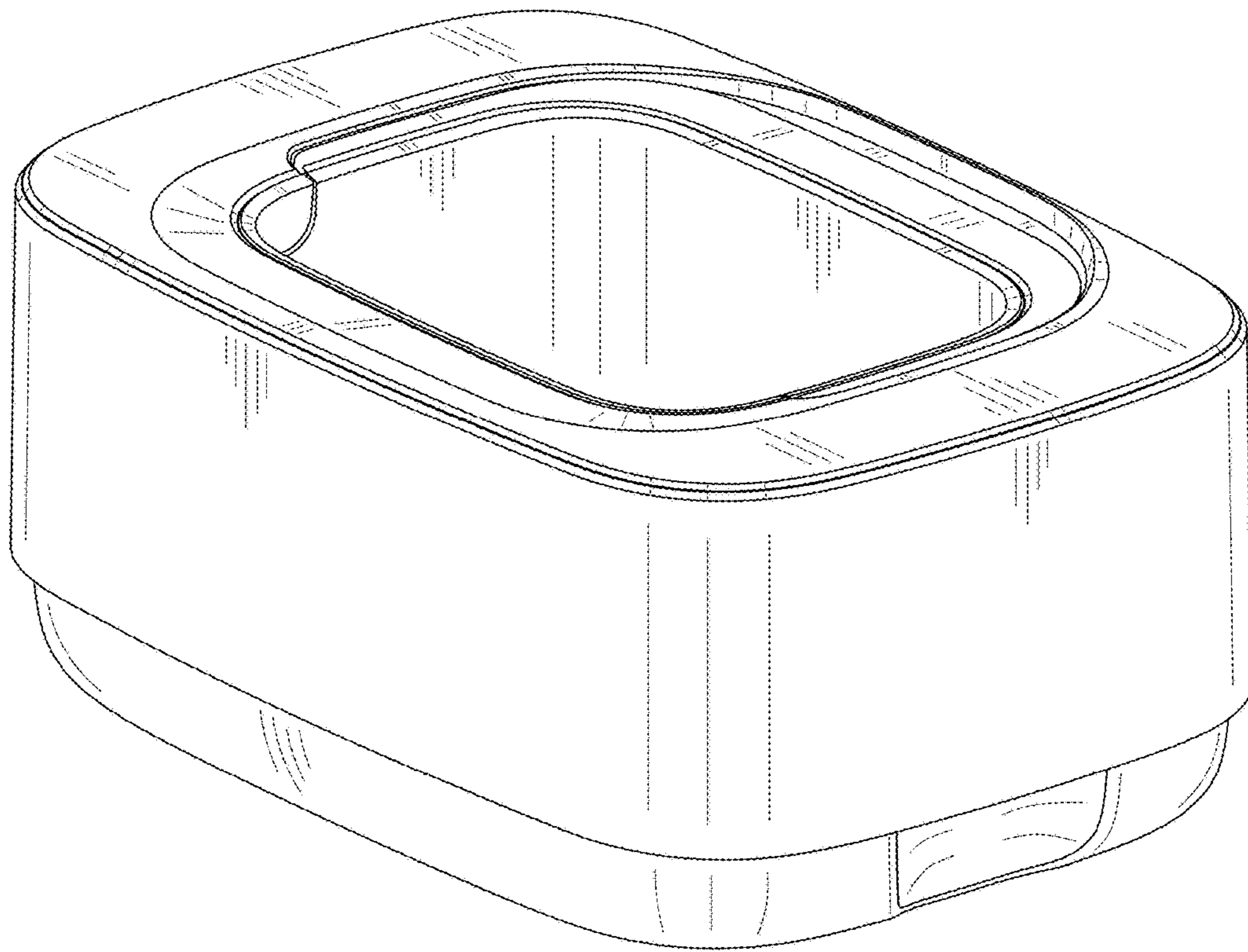


FIG. 2



FIG. 3



FIG. 4

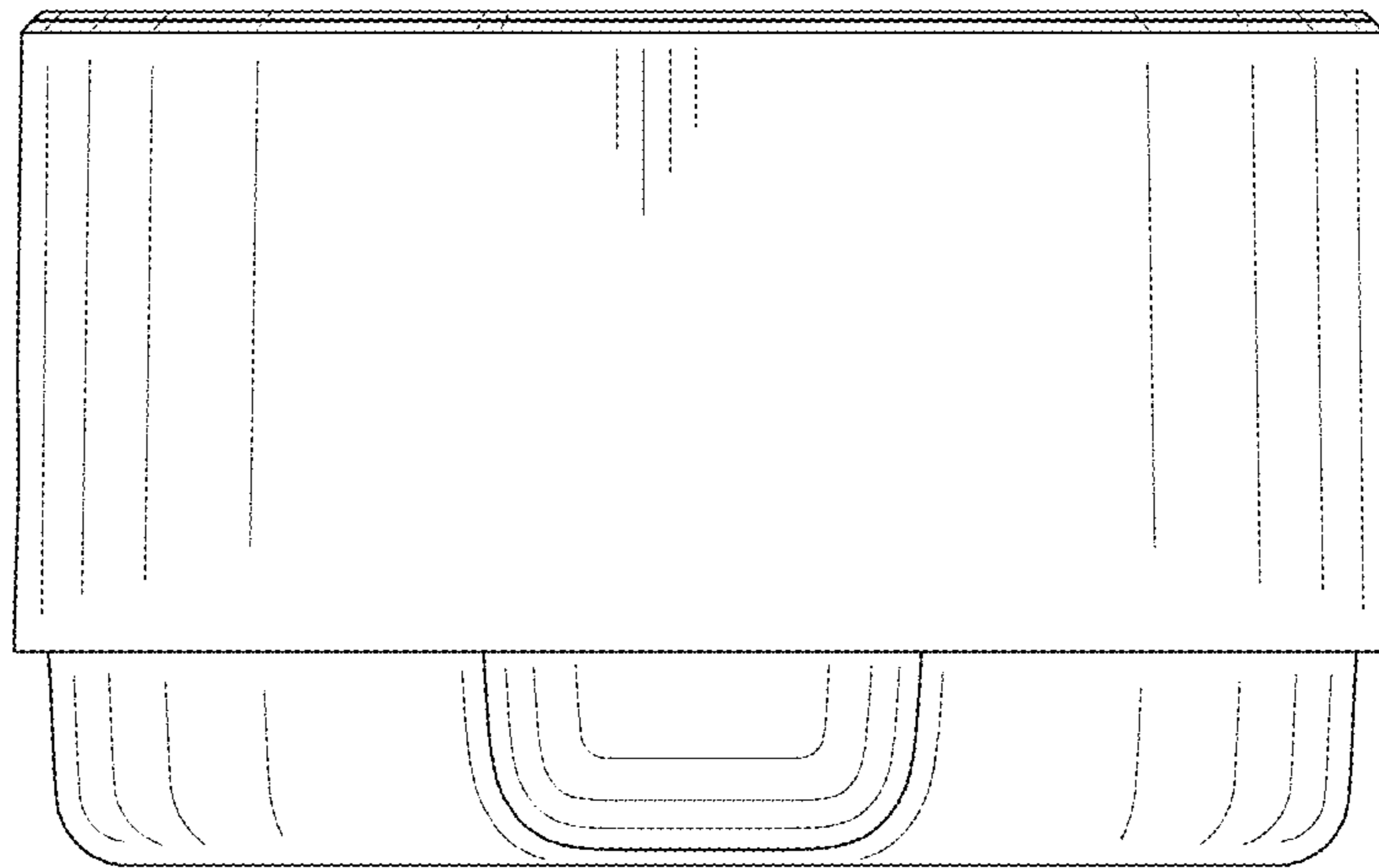


FIG. 5

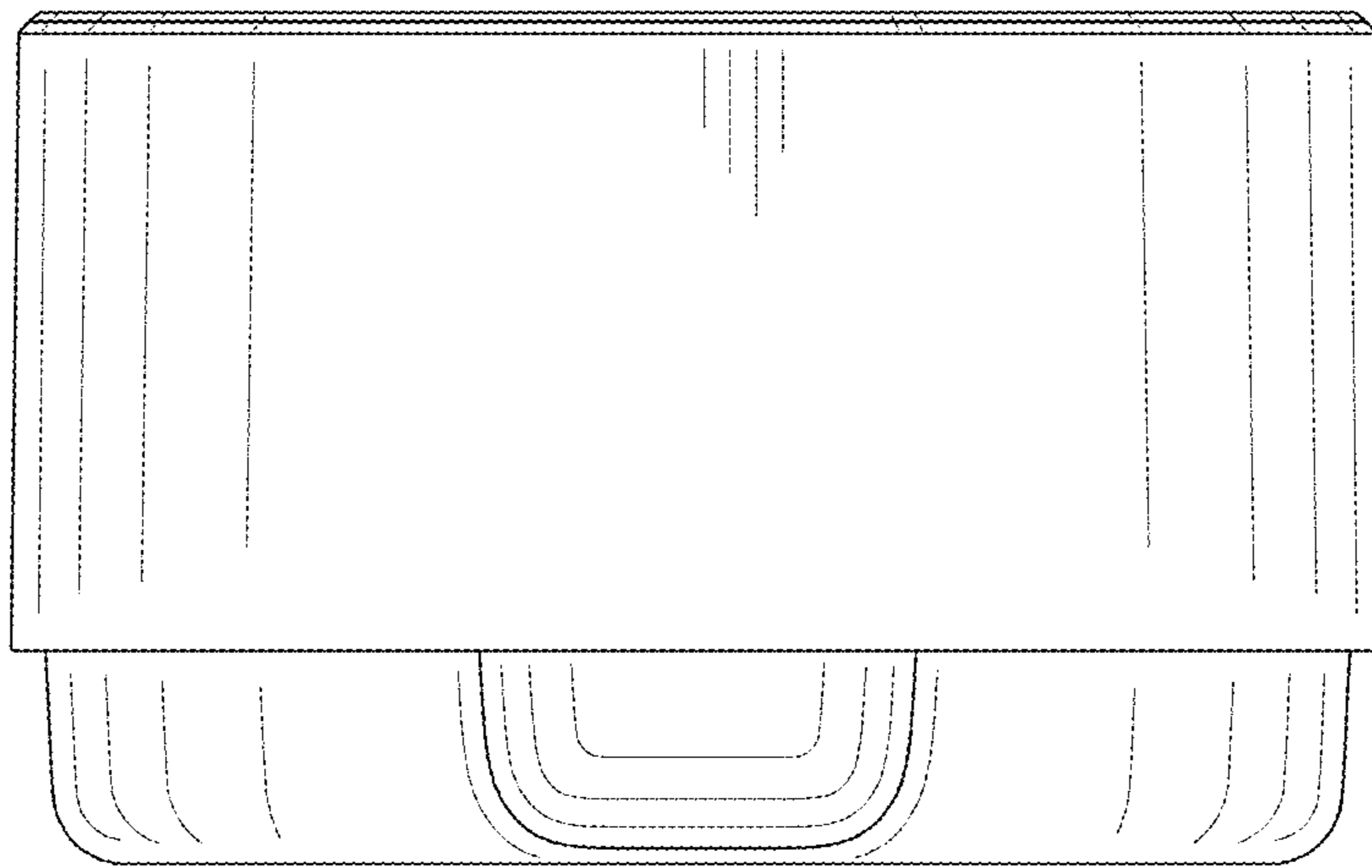




FIG. 6

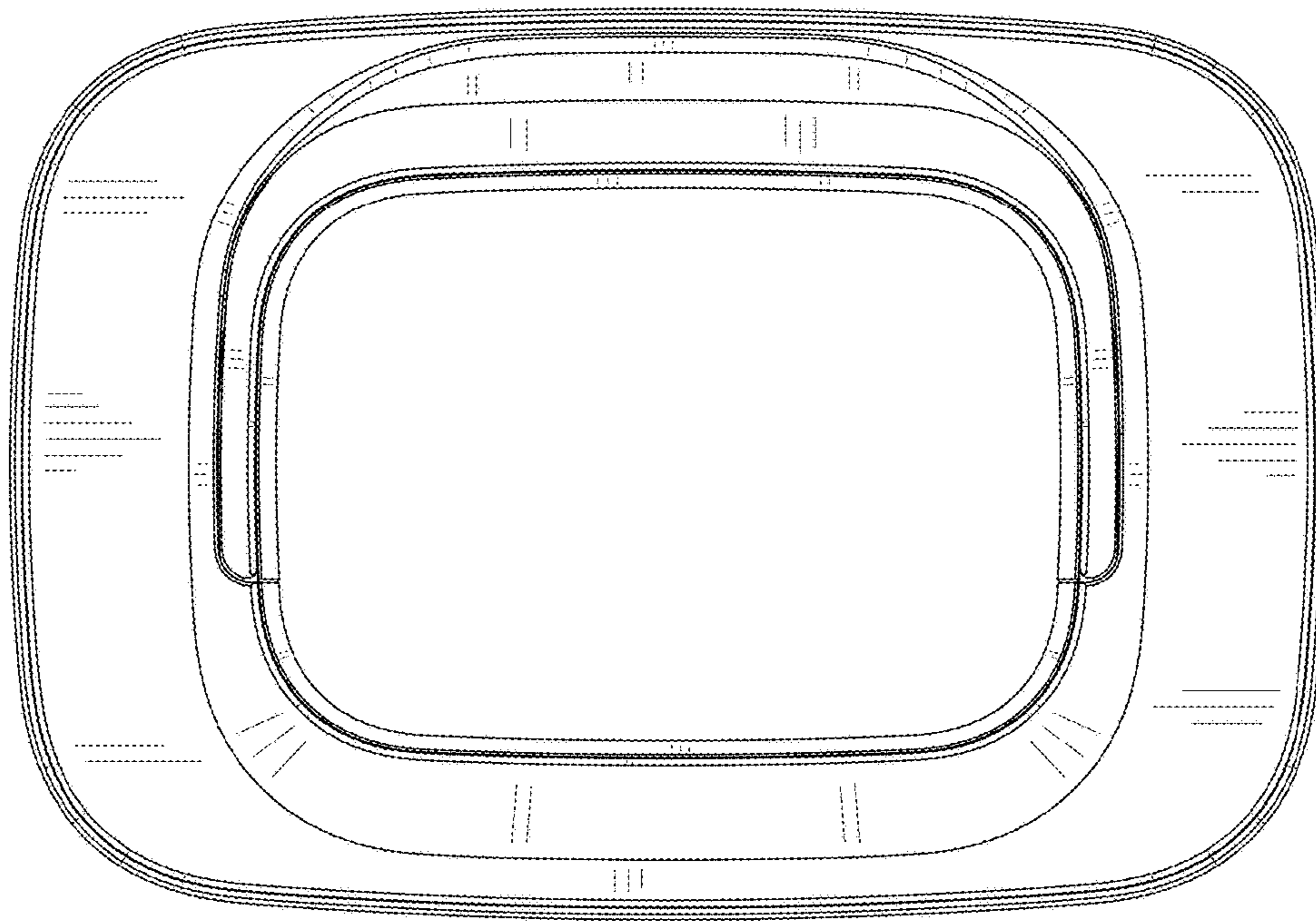




FIG. 7

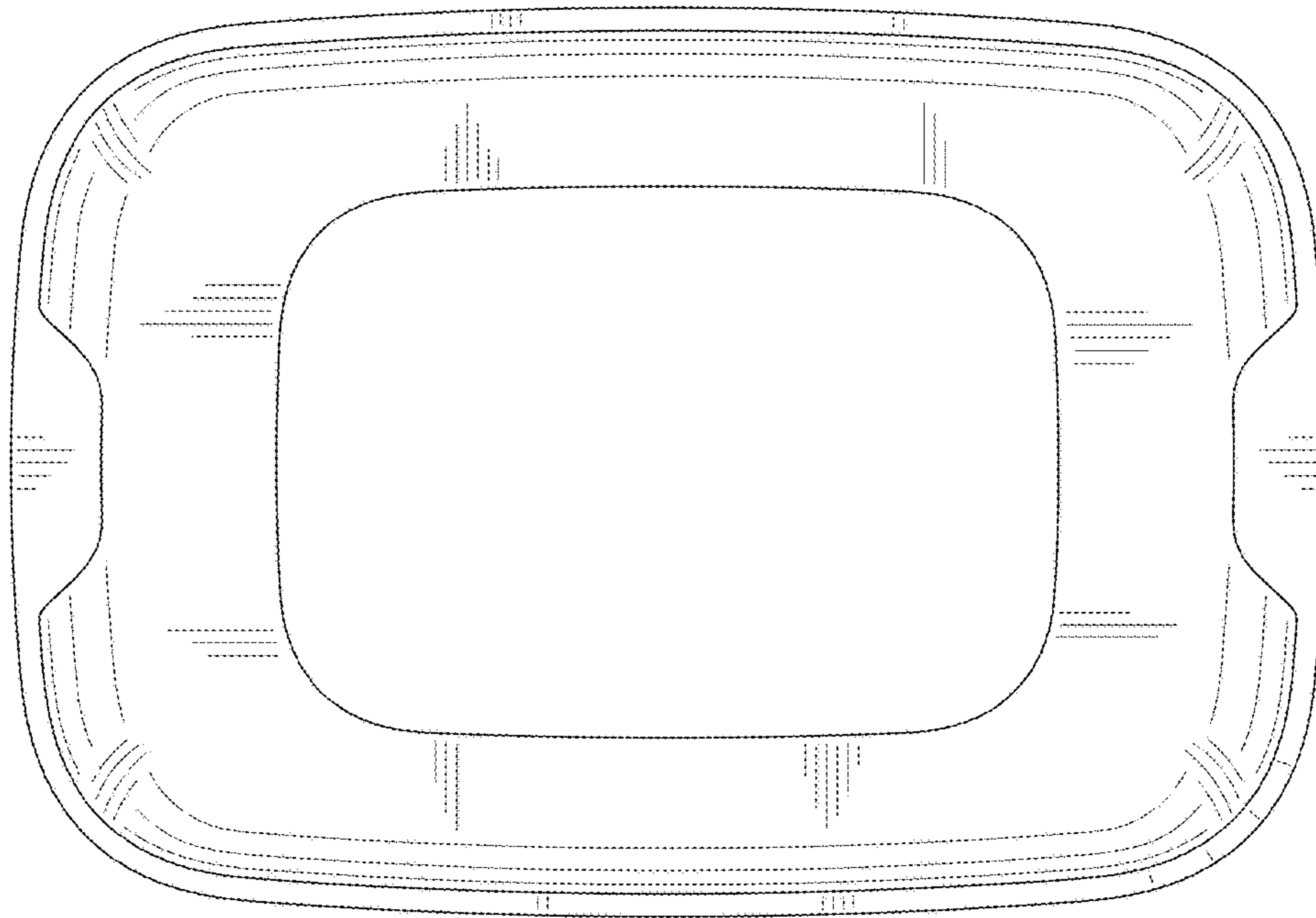


FIG. 8

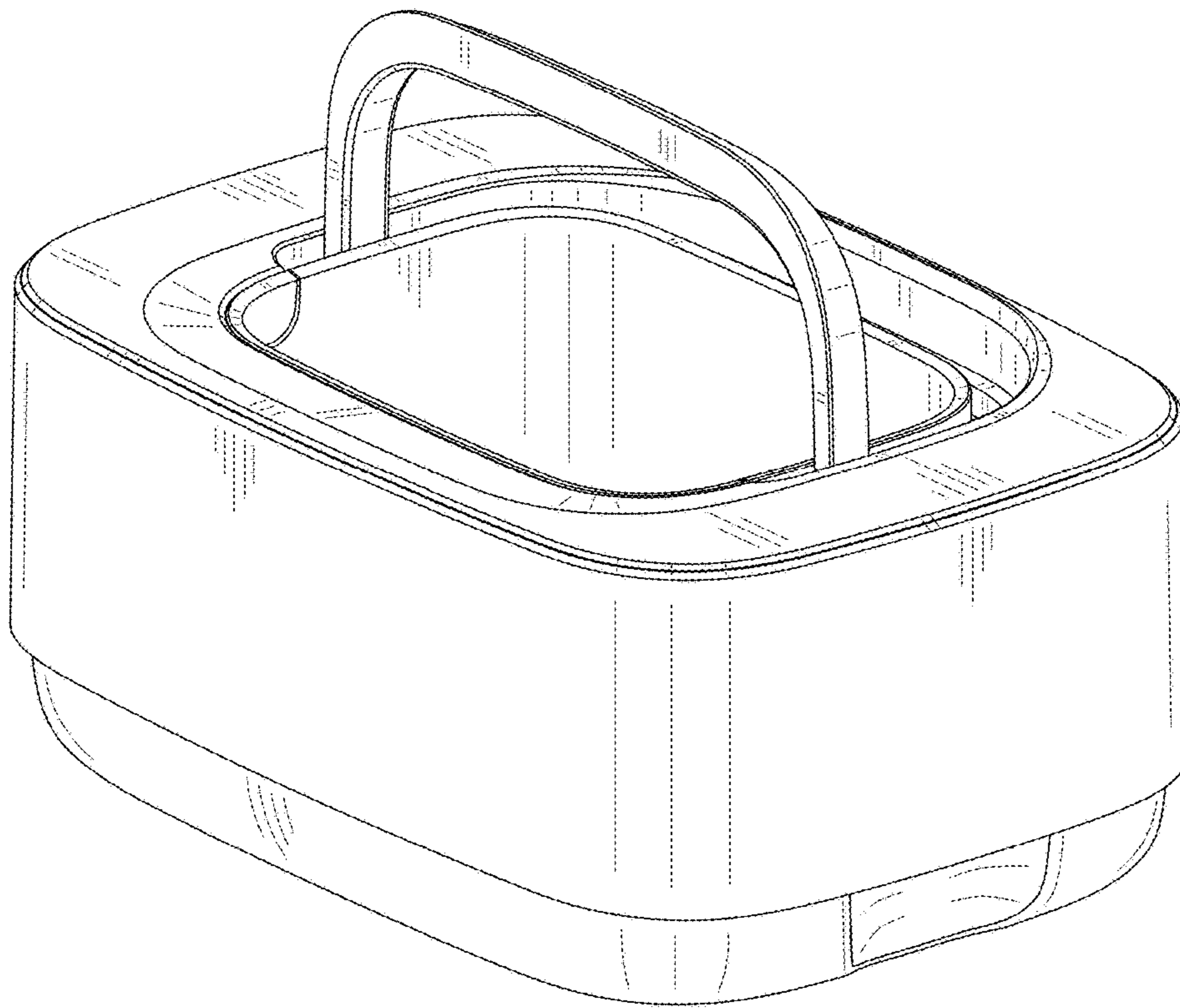


FIG. 9

