



US00D785773S

(12) **United States Design Patent**  
**Shin et al.**

(10) **Patent No.:** **US D785,773 S**

(45) **Date of Patent:** **\*\* May 2, 2017**

(54) **DEHUMIDIFIER**

(71) Applicant: **Samsung Electronics Co., Ltd.**,  
Suwon-si, Gyeonggi-do (KR)

(72) Inventors: **Sunny Shin**, Seoul (KR); **Jinsun Park**,  
Seoul (KR); **Suhyun Yoo**, Goyang-si  
(KR)

(73) Assignee: **SAMSUNG ELECTRONICS CO.,  
LTD**, Gyeonggi-Do (KR)

(\*\*) Term: **15 Years**

(21) Appl. No.: **29/542,578**

(22) Filed: **Oct. 15, 2015**

(30) **Foreign Application Priority Data**

Apr. 29, 2015 (KR) ..... 30-2015-0022071

(51) **LOC (10) Cl.** ..... **23-04**

(52) **U.S. Cl.**  
USPC ..... **D23/359**

(58) **Field of Classification Search**

USPC ..... D23/333, 355-364, 385, 388, 393

CPC ..... A61M 16/16; A61M 16/0816; A61M  
16/0003; F24F 2006/008; F24F 3/1405;  
F24F 2003/144; F24F 11/0008; F24F  
13/28

See application file for complete search history.

(56) **References Cited**

**U.S. PATENT DOCUMENTS**

D395,491 S \* 6/1998 Jane' ..... D23/356  
6,004,367 A \* 12/1999 Stopyra ..... F24F 13/20  
55/467

D442,682 S \* 5/2001 Choi ..... D23/356  
D474,231 S \* 5/2003 Lammers ..... D18/34.4  
D582,469 S \* 12/2008 Jones ..... D18/34.4  
D586,972 S \* 2/2009 Yang ..... D34/7  
D615,123 S \* 5/2010 Graves ..... D18/34.5  
D616,923 S \* 6/2010 Kim ..... D18/34.5  
D650,473 S \* 12/2011 Petersen ..... D23/364  
D656,230 S \* 3/2012 Robinson ..... D23/363  
D660,947 S \* 5/2012 Varma ..... D23/333  
D667,096 S \* 9/2012 Choi ..... D23/364  
D699,826 S \* 2/2014 Saitou ..... D23/351

\* cited by examiner

*Primary Examiner* — Kevin Rudzinski

*Assistant Examiner* — John Reickel

(74) *Attorney, Agent, or Firm* — Cantor Colburn LLP

(57) **CLAIM**

The ornamental design for a dehumidifier, as shown and described.

**DESCRIPTION**

FIG. 1 is a front perspective view of a dehumidifier showing our new design;

FIG. 2 is a front view thereof;

FIG. 3 is a rear view thereof;

FIG. 4 is a left side elevation view thereof;

FIG. 5 is a right side elevation view thereof;

FIG. 6 is a top view thereof;

FIG. 7 is a bottom view thereof; and,

FIG. 8 is another perspective view thereof in an alternate configuration.

The broken lines in the figures show portions of the dehumidifier that form no part of the claimed design.

**1 Claim, 8 Drawing Sheets**

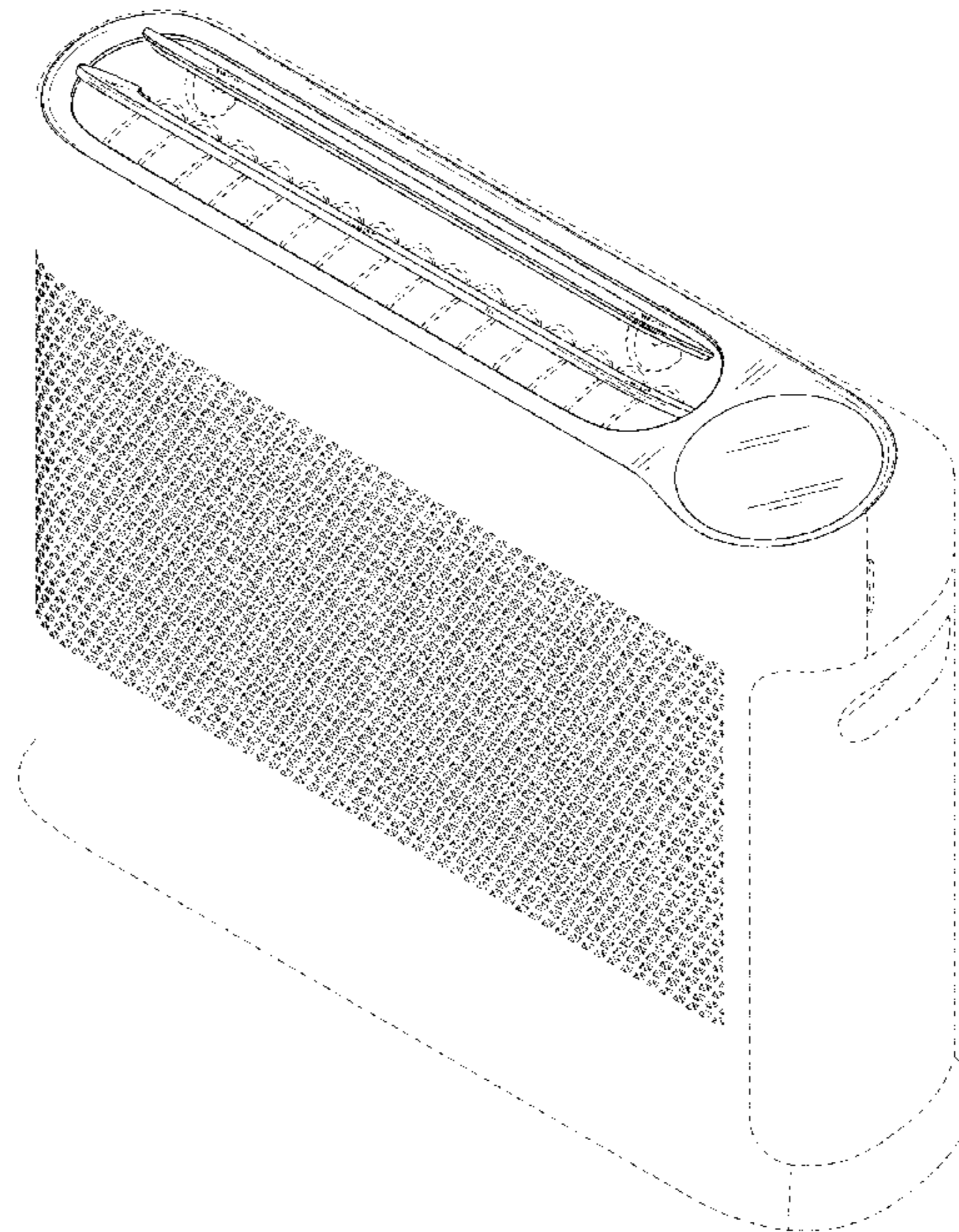
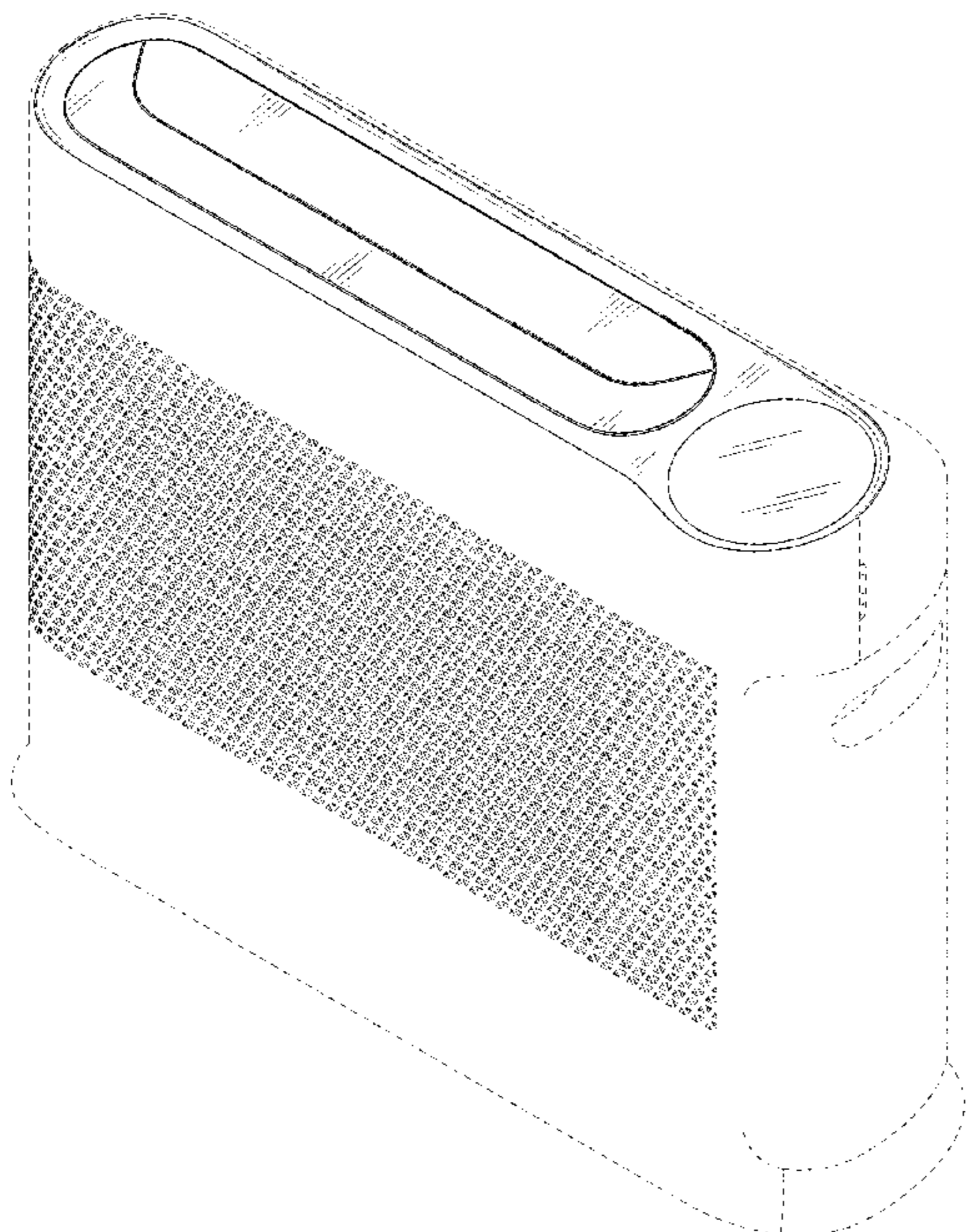




FIG. 1

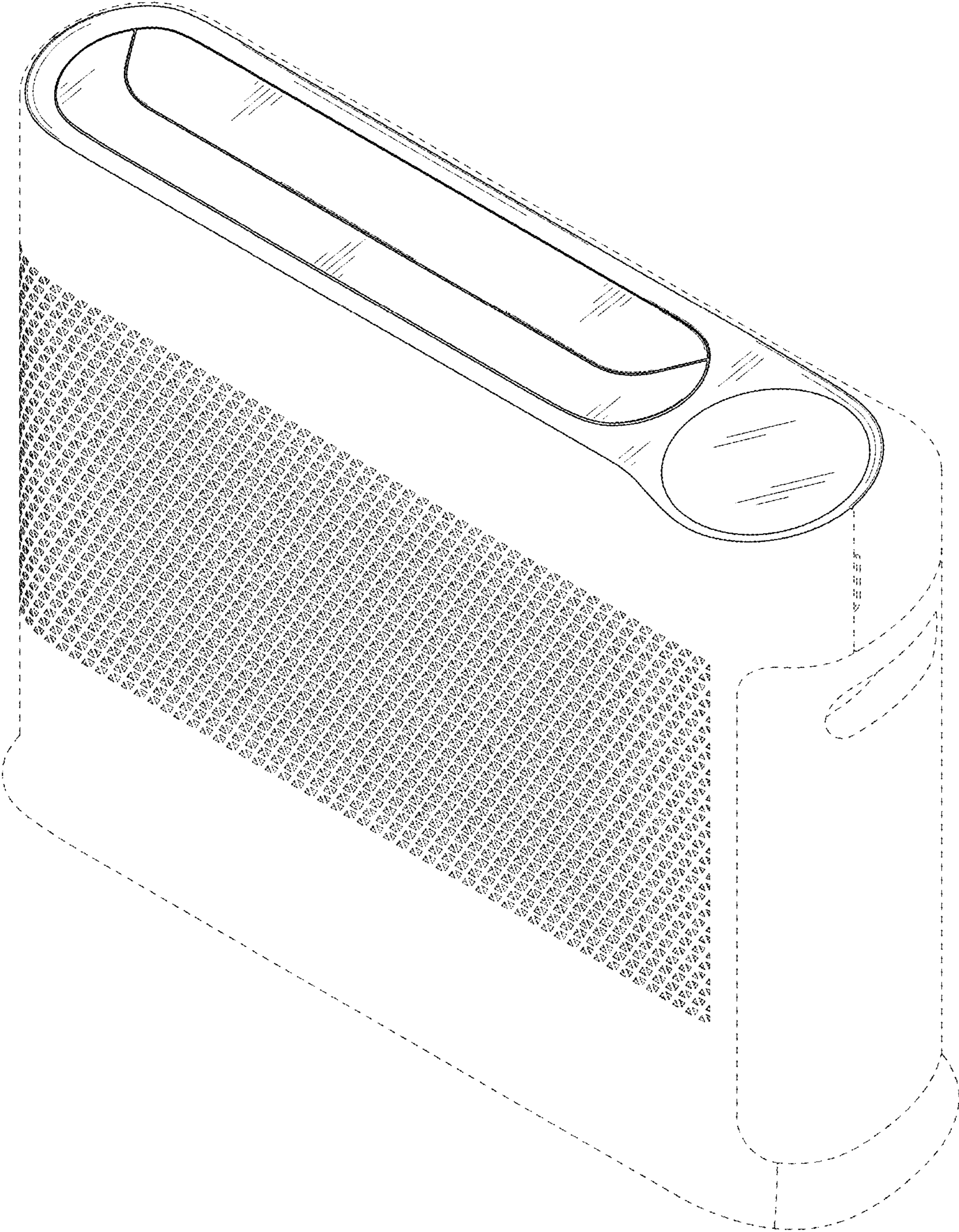




FIG. 2

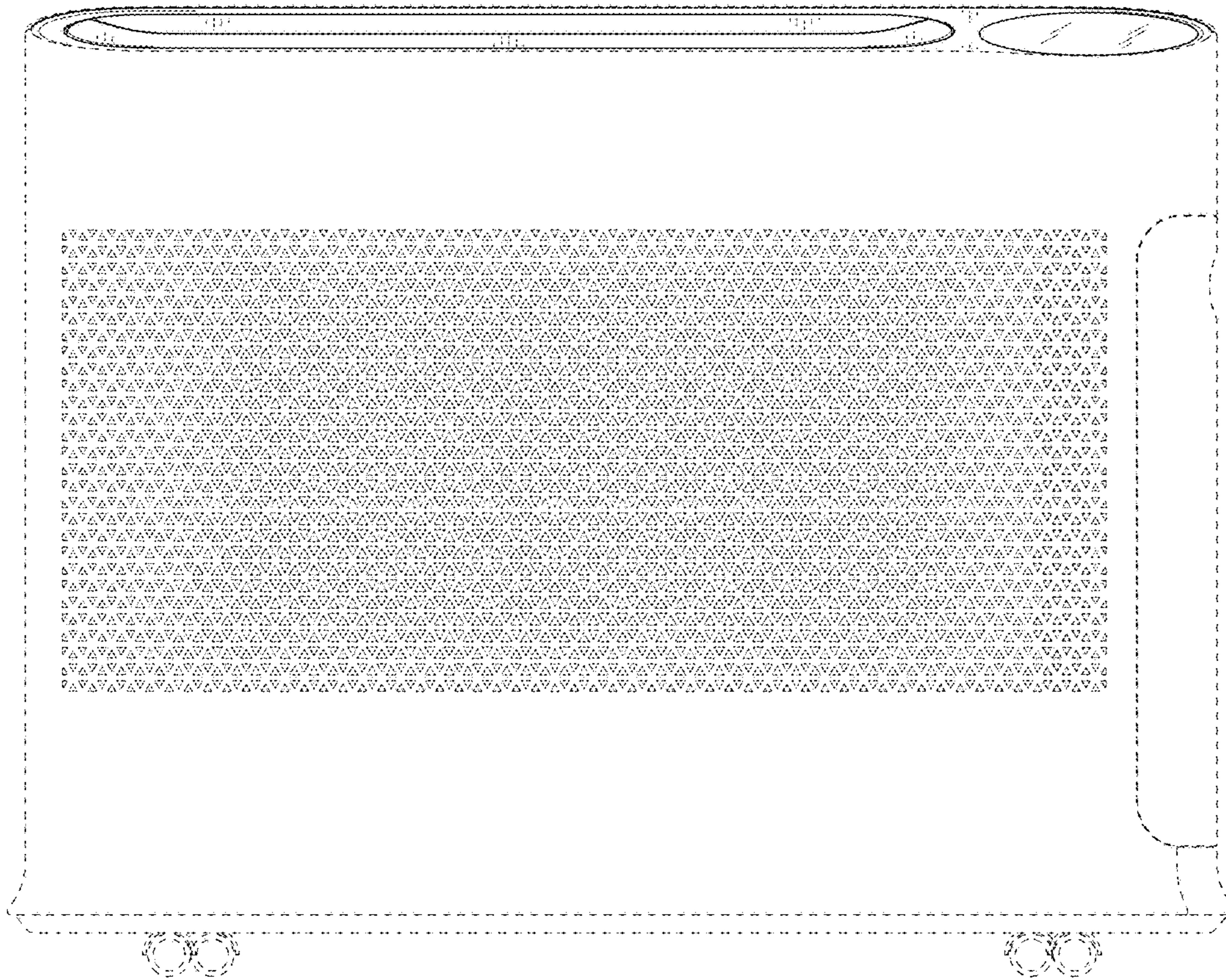


FIG. 3

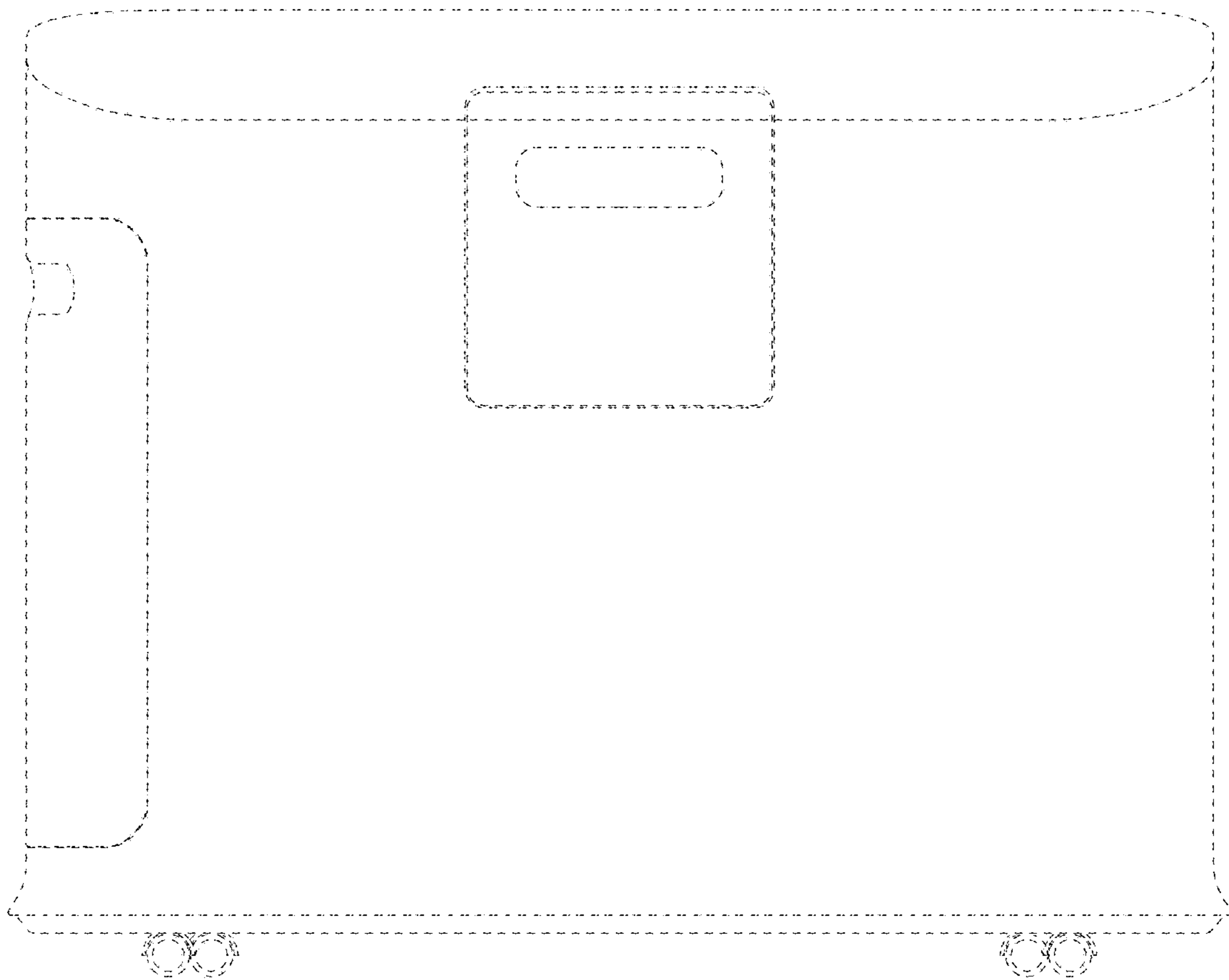


FIG. 4

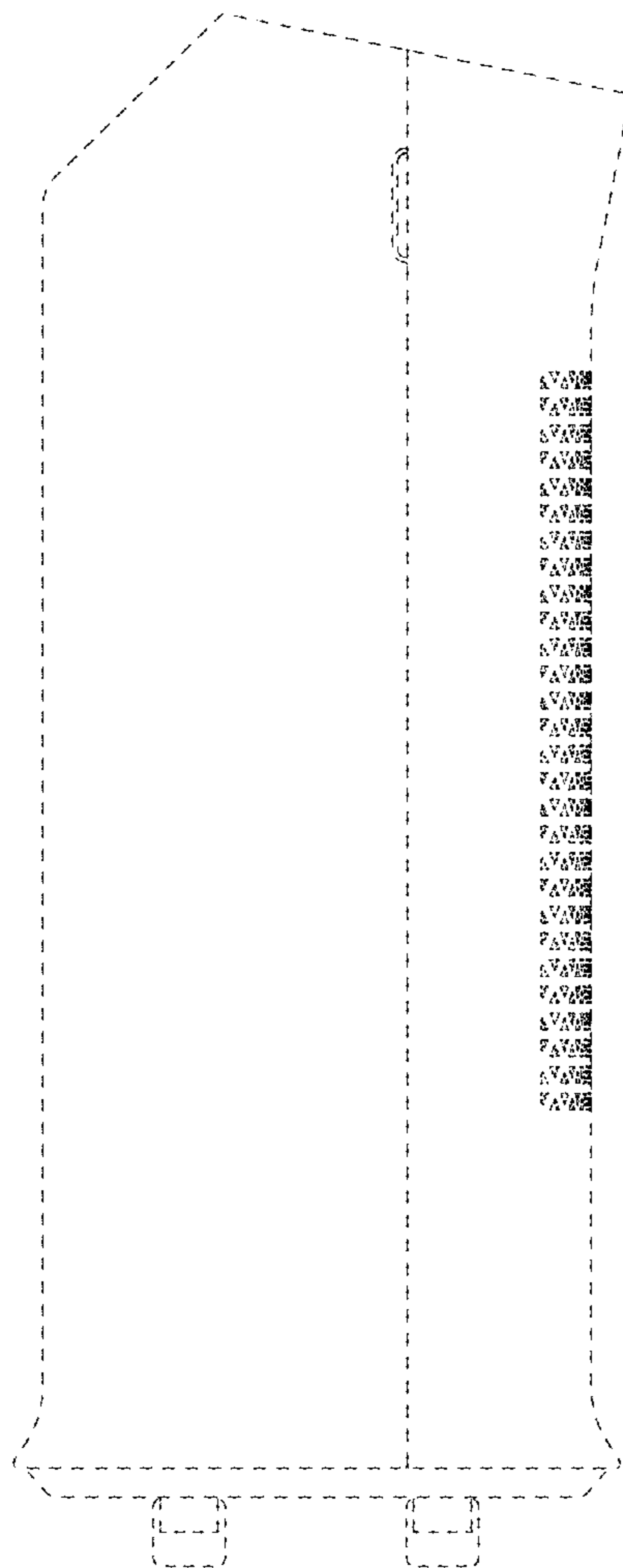


FIG. 5

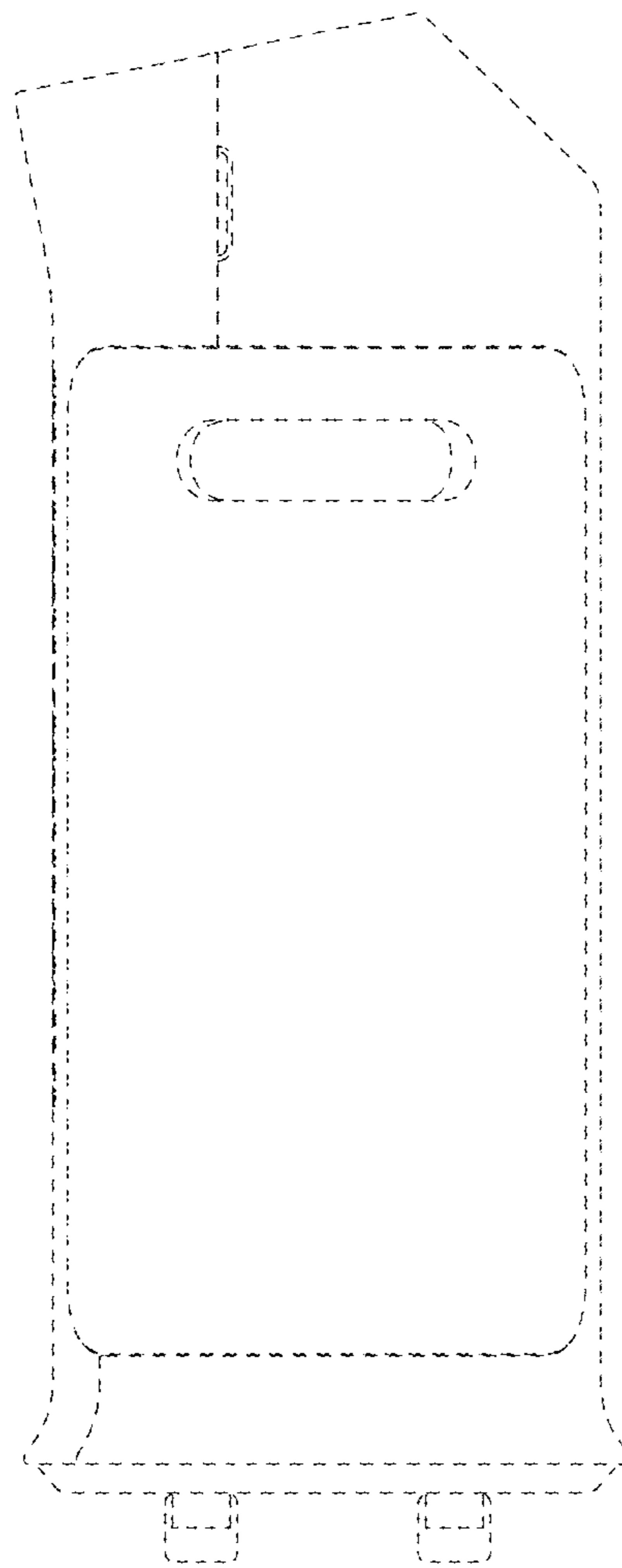


FIG. 6

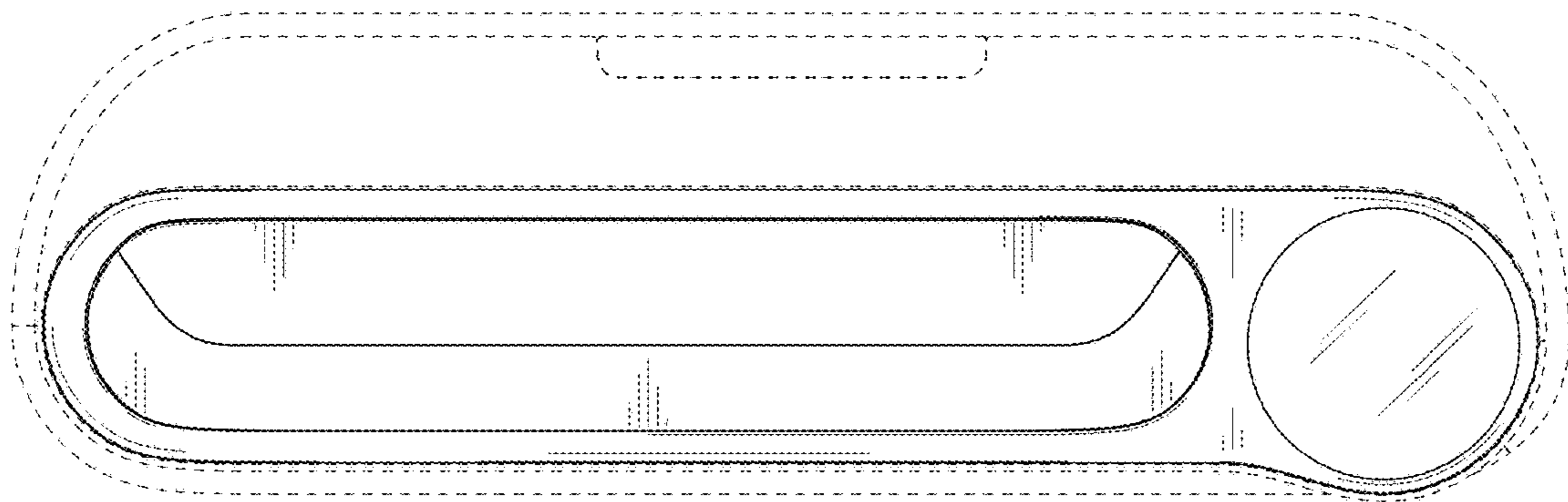


FIG. 7





FIG. 8

