



US00D785770S

(12) **United States Design Patent**
Lin et al.

(10) **Patent No.:** **US D785,770 S**
(45) **Date of Patent:** **** May 2, 2017**

- (54) **BATHING MACHINE**
- (71) Applicant: **Hiwin Technologies Corp.**, Taichung (TW)
- (72) Inventors: **Chi Hong Lin**, Taichung (TW); **Yen Nien Tien**, Taichung (TW)
- (73) Assignee: **Hiwin Technologies Corp.**, Taichung (TW)
- (**) Term: **15 Years**
- (21) Appl. No.: **29/543,596**
- (22) Filed: **Oct. 27, 2015**
- (51) **LOC (10) Cl.** **23-02**
- (52) **U.S. Cl.**
USPC **D23/304**
- (58) **Field of Classification Search**
USPC D23/277, 280.1, 275, 273, 303-306;
D24/203-205
CPC A47K 3/02; A47K 3/10; A47K 3/04
See application file for complete search history.

- 5,255,400 A * 10/1993 Sween A47K 3/006
4/556
- D354,556 S * 1/1995 Silbersky D23/280.4
- 5,813,062 A * 9/1998 Vago A47K 3/006
4/556
- 5,896,596 A * 4/1999 Murakami A47K 3/10
4/541.1
- D732,179 S * 6/2015 Lee D24/203

* cited by examiner

Primary Examiner — Robert Delehanty

(74) *Attorney, Agent, or Firm* — Charles E. Baxley

(57) **CLAIM**

The ornamental design for a bathing machine, as shown and described.

DESCRIPTION

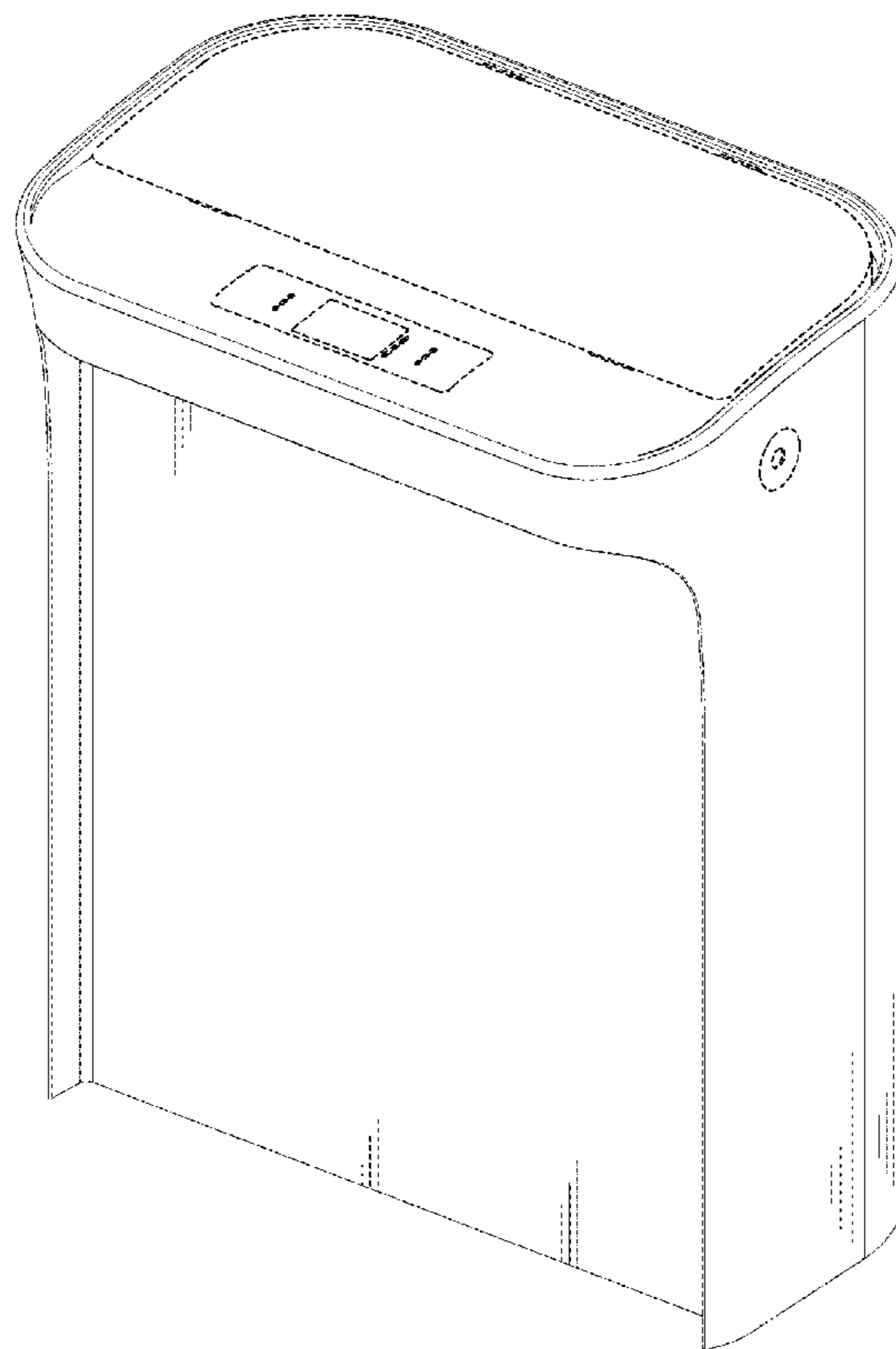
FIG. 1 is a perspective view of a bathing machine showing my new design;
 FIG. 2 is a front elevational view thereof;
 FIG. 3 is a rear elevational view thereof;
 FIG. 4 is a top plan view thereof;
 FIG. 5 is a bottom plan view thereof;
 FIG. 6 is a left side elevational view thereof;
 FIG. 7 is a right side elevational view thereof; and,
 FIG. 8 is a perspective view of a bathing machine showing my new design.
 The broken lines illustrate a bathing tub and a control panel which forms no part of the claimed design.

1 Claim, 7 Drawing Sheets

(56) **References Cited**

U.S. PATENT DOCUMENTS

- D285,346 S * 8/1986 Sween D23/277
- 5,182,821 A * 2/1993 Bufford A47K 3/02
4/592



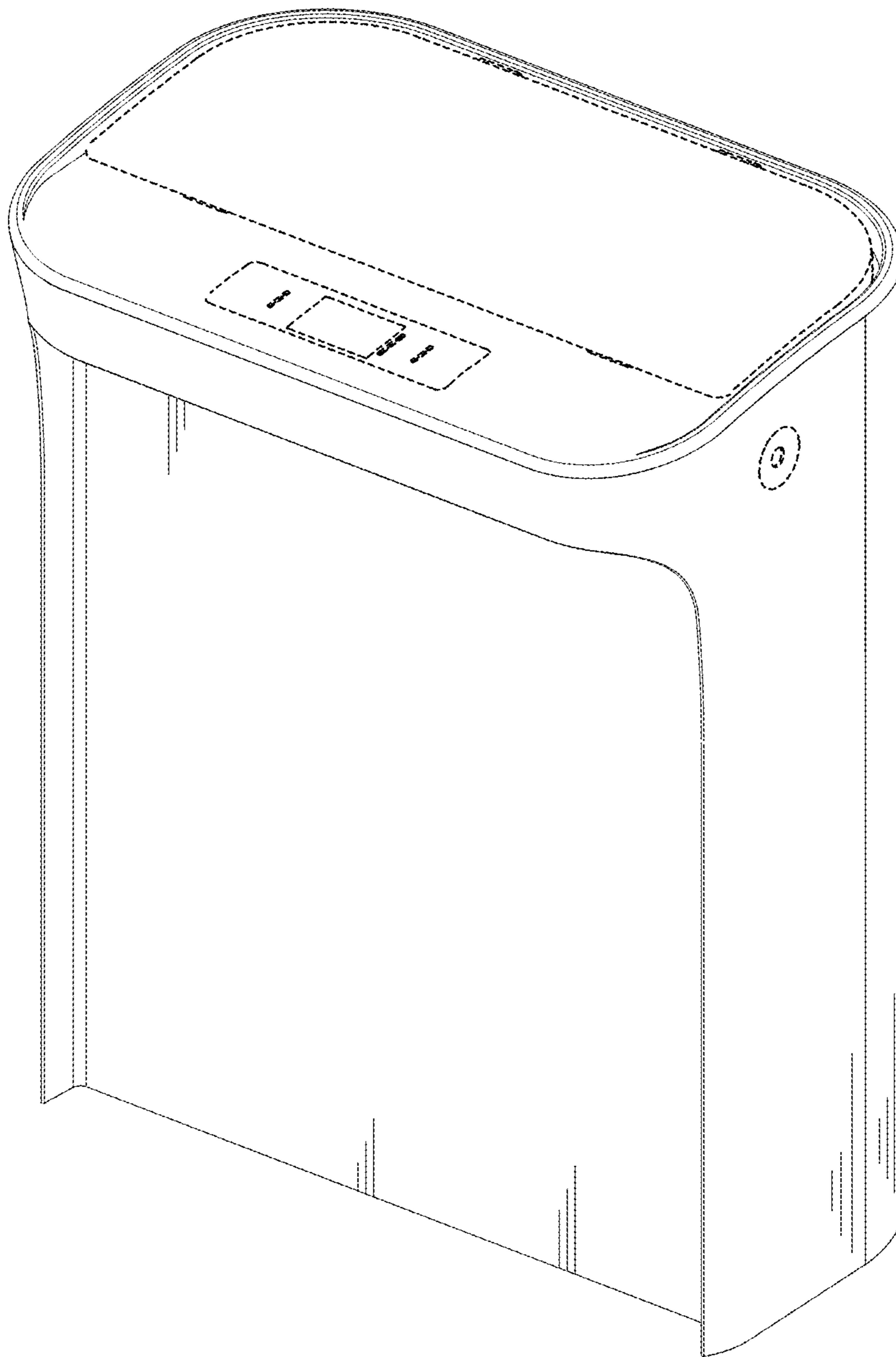


FIG. 1

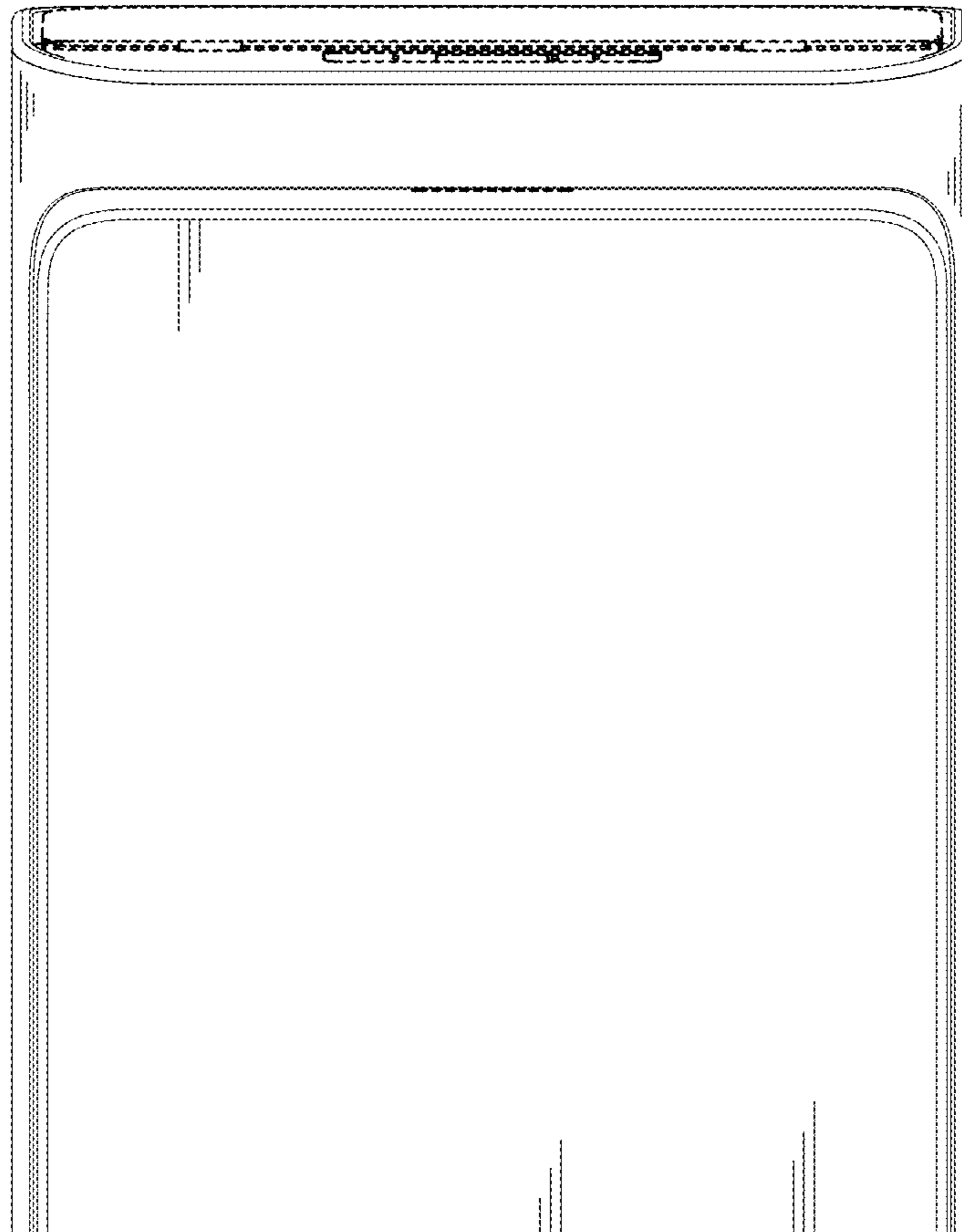


FIG. 2

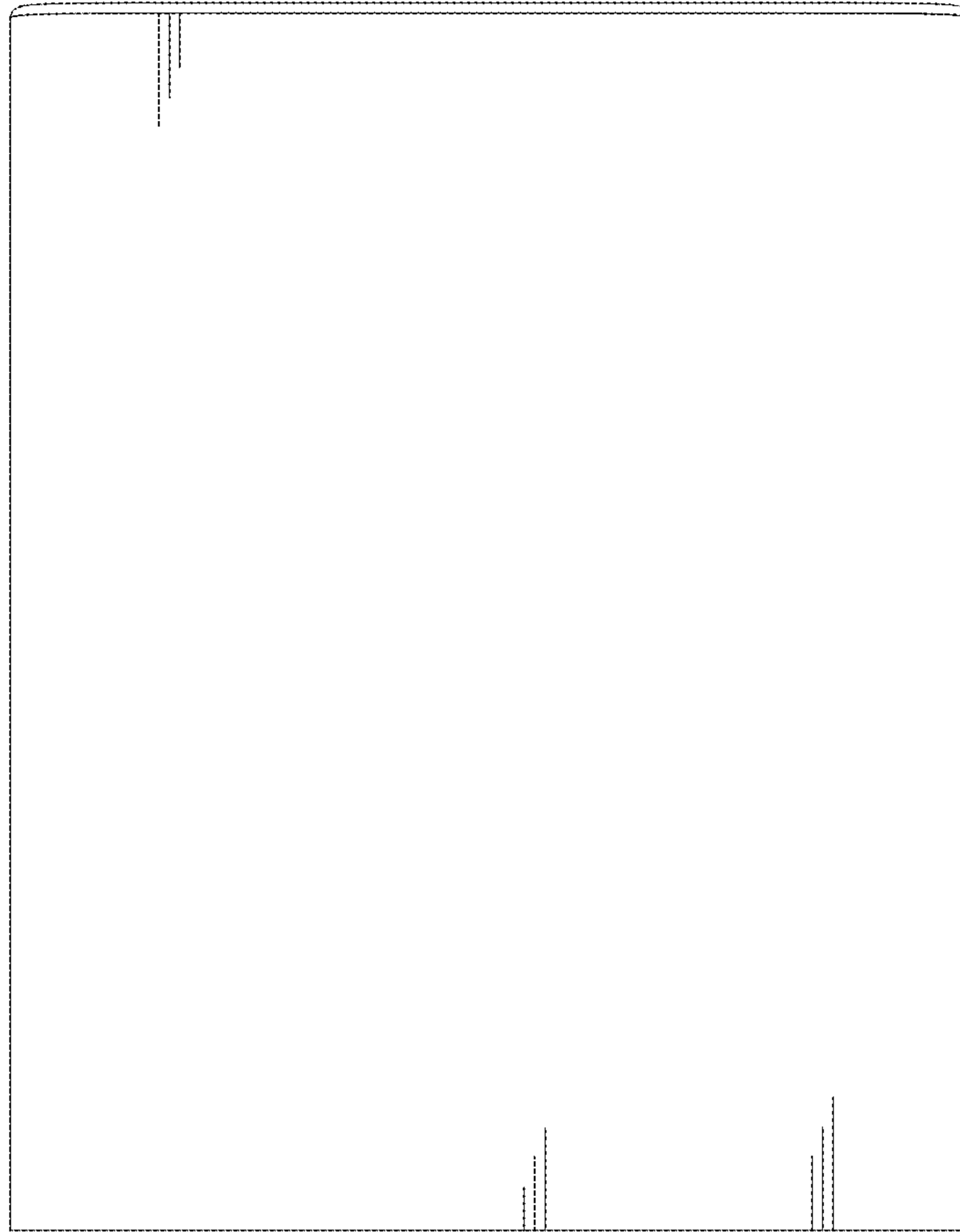


FIG. 3

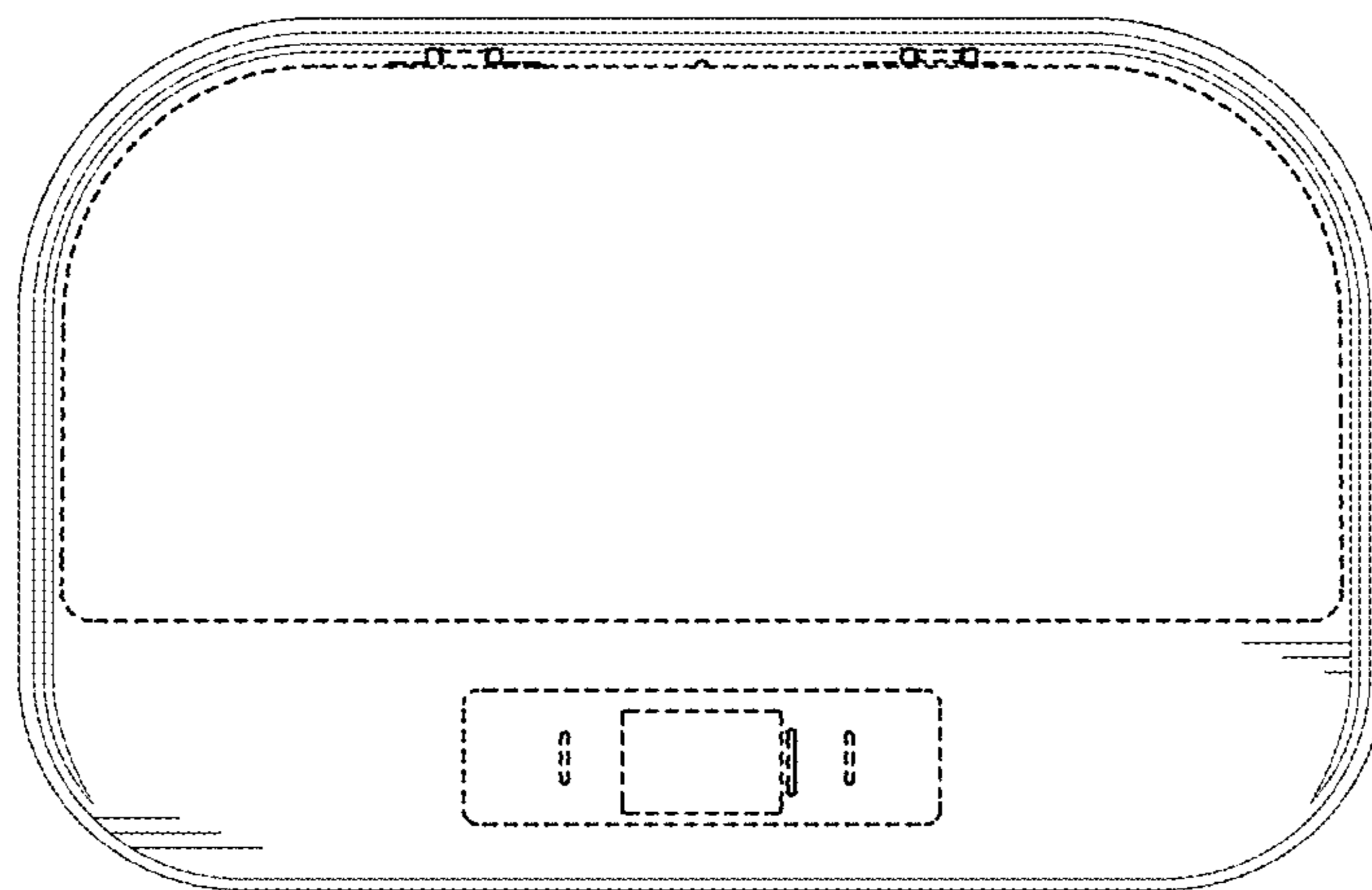


FIG. 4

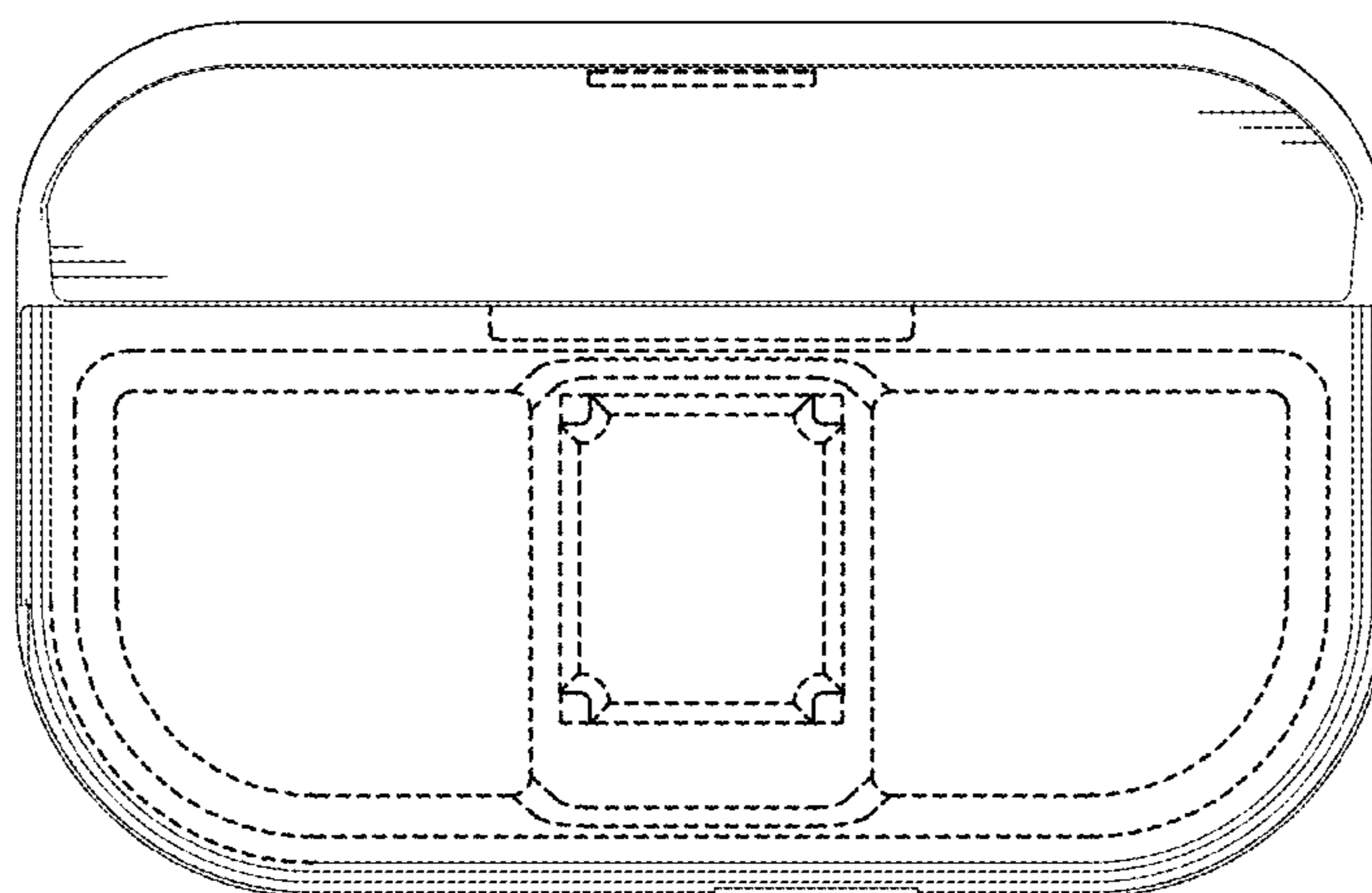


FIG. 5

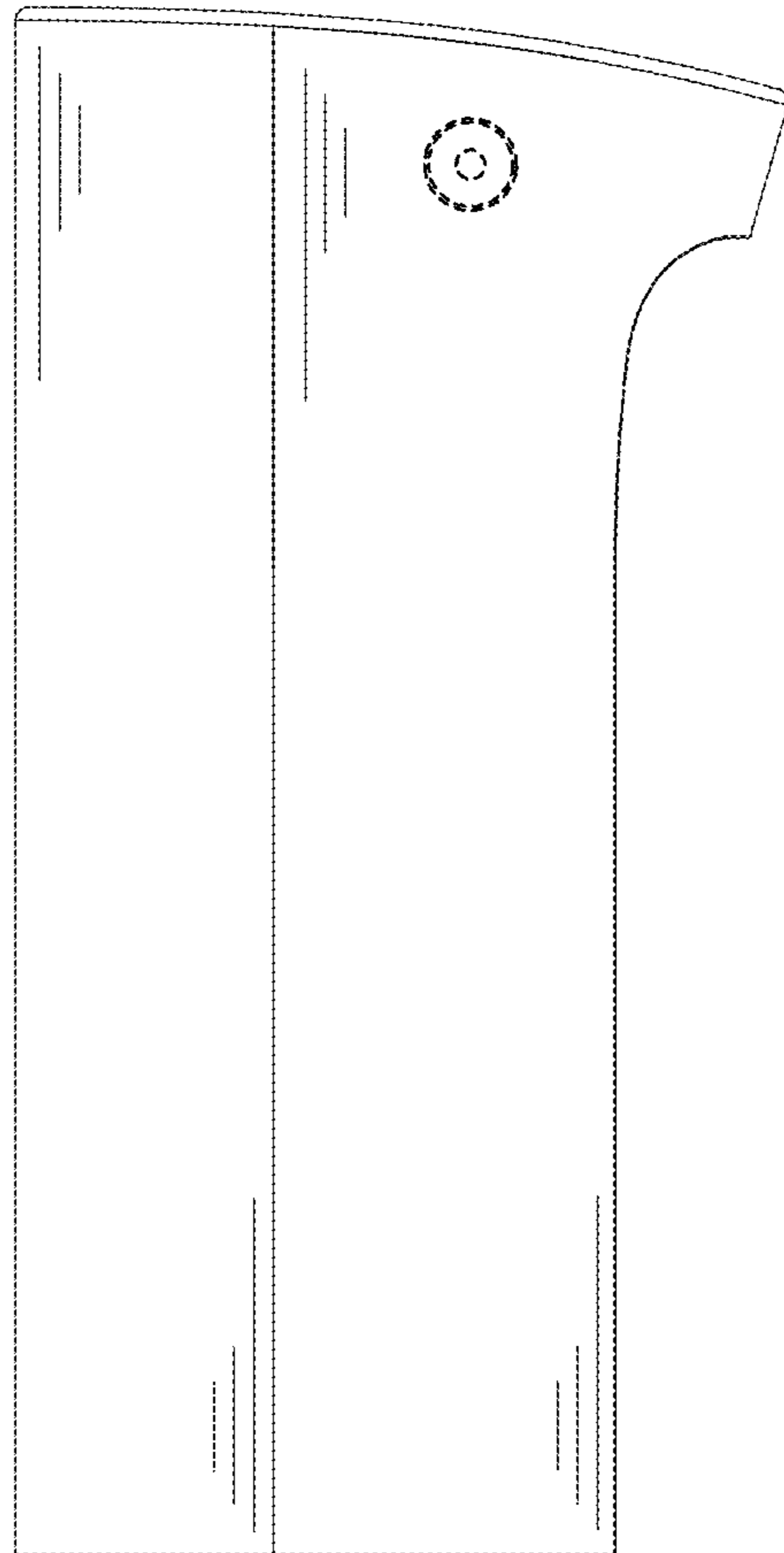


FIG. 6

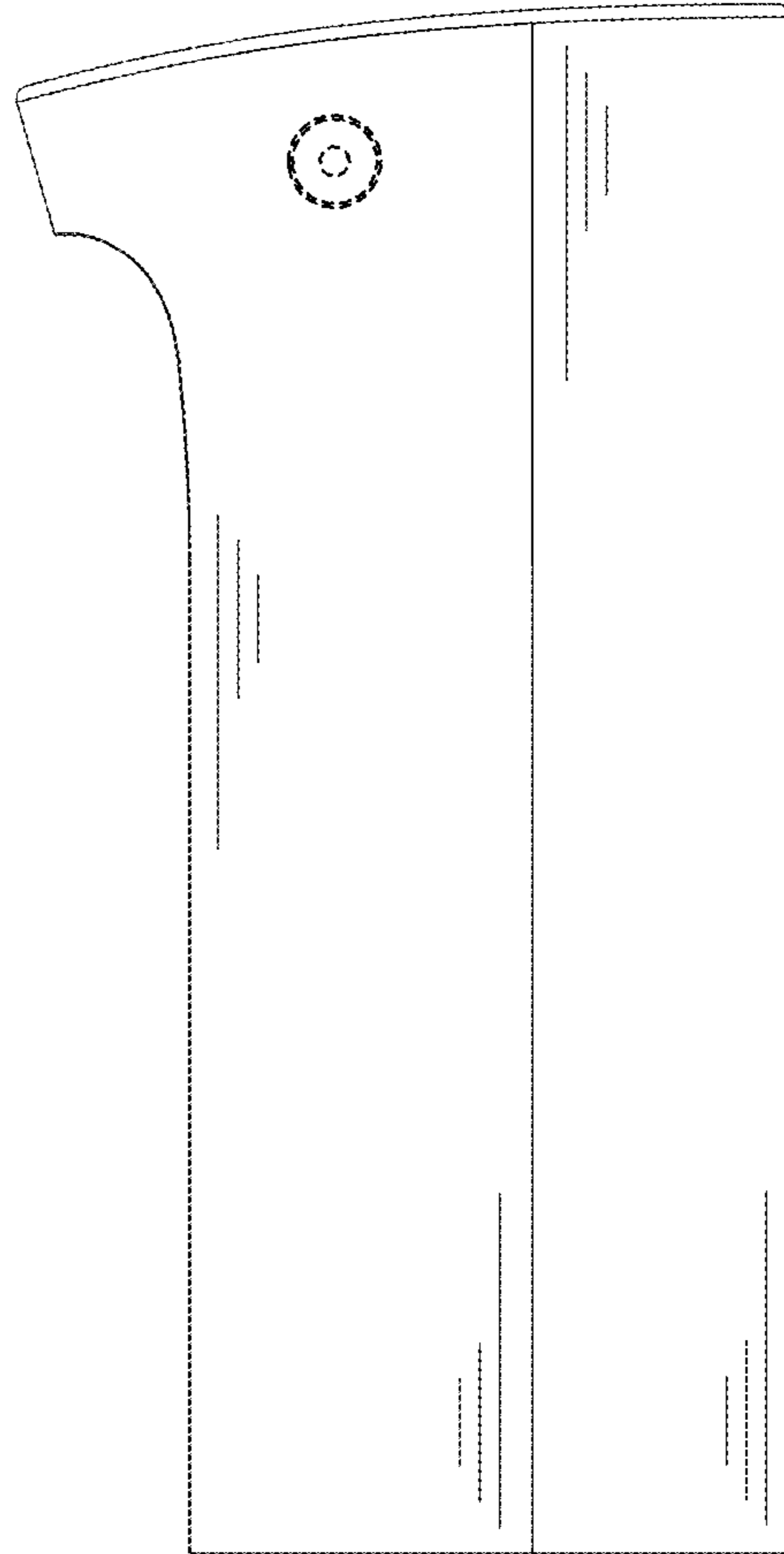


FIG. 7

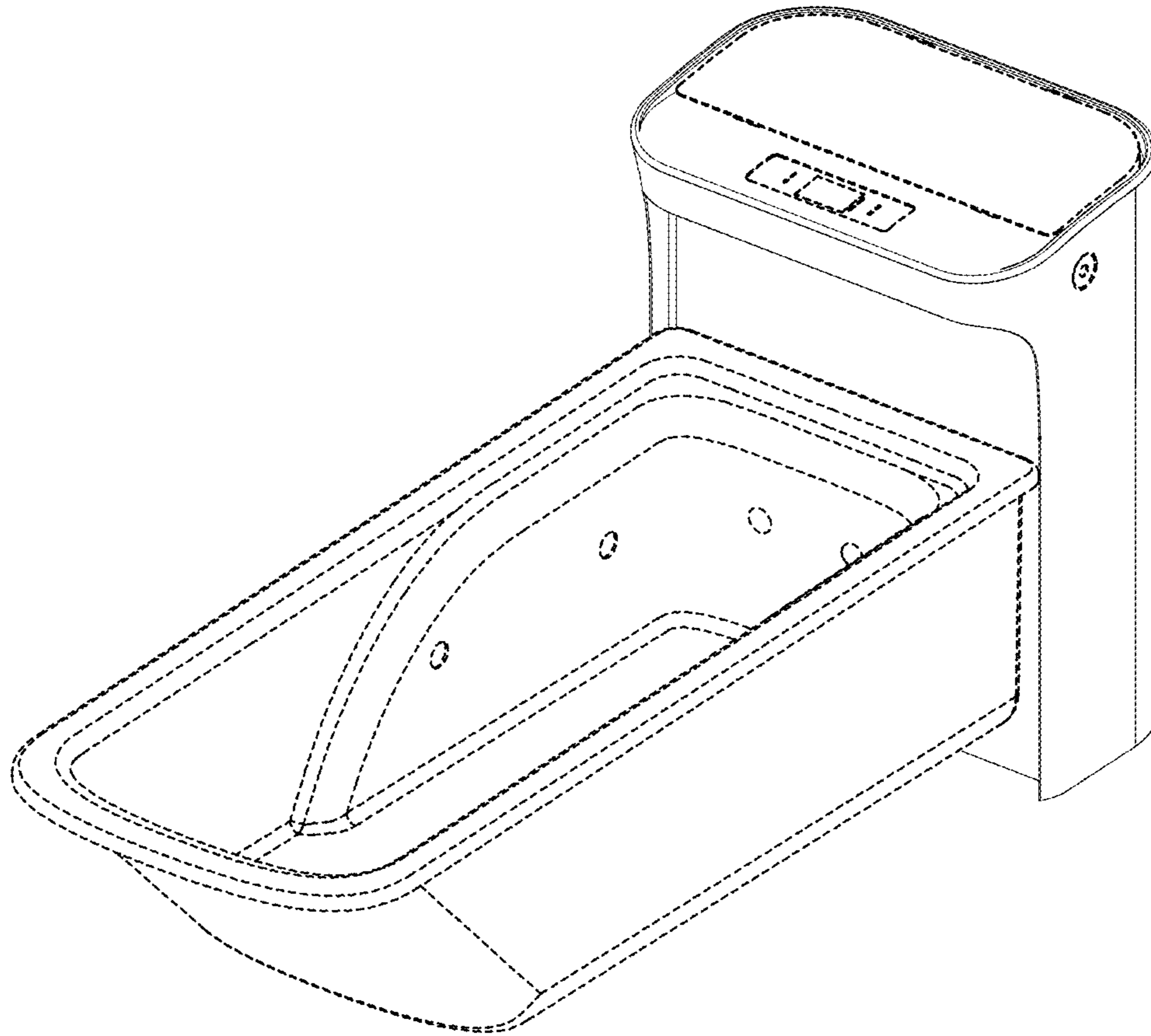


FIG. 8