



US00D785766S

(12) **United States Design Patent**  
**Sato**

(10) **Patent No.:** **US D785,766 S**

(45) **Date of Patent:** **\*\* May 2, 2017**

(54) **SHOWER PLATE**

(71) Applicant: **ASM IP Holding B.V.**, Almere (NL)

(72) Inventor: **Kazuo Sato**, Kawasaki (JP)

(73) Assignee: **ASM IP Holding B.V.**, Almere (NL)

(\*\*) Term: **15 Years**

(21) Appl. No.: **29/568,143**

(22) Filed: **Jun. 15, 2016**

(51) **LOC (10) Cl.** ..... **23-01**

(52) **U.S. Cl.**

USPC ..... **D23/259**

(58) **Field of Classification Search**

USPC ..... D23/259-265, 268-269, 283, 304;  
4/596-598, 609, 612; 239/548, 555, 592;  
210/459-460

CPC ..... E03C 1/046; A47K 3/30; A47K 3/283;  
A47K 3/281; A47K 3/28; B05B 1/14;  
B05B 1/185; B05B 15/065

See application file for complete search history.

(56) **References Cited**

**U.S. PATENT DOCUMENTS**

1,805,816 A \* 5/1931 Fleming ..... E04D 13/0409  
210/165  
2,222,807 A \* 11/1940 Burr ..... E03C 1/26  
210/165  
2,278,566 A \* 4/1942 Schaible ..... E03C 1/262  
285/148.11

(Continued)

*Primary Examiner* — Eric Goodman  
*Assistant Examiner* — Amy Wierenga

(74) *Attorney, Agent, or Firm* — Sand & Sebolt

(57) **CLAIM**

The ornamental design for a shower plate, as shown and described.

**DESCRIPTION**

FIG. 1 is a top plan view of a first embodiment of the shower plate in accordance with my design;

FIG. 2 is a front elevation view thereof; and wherein a rear elevation view will be a mirror image of the front elevation view;

FIG. 3 is a right side elevation view thereof; and wherein a left side elevation view will be a mirror image of the right side elevation view;

FIG. 4 is a bottom plan view of the shower plate;

FIG. 5 is a cross-section taken along line 5-5 of FIG. 1;

FIG. 6 is a cross-section taken along line 6-6 of FIG. 1;

FIG. 7 is a top plan view of a second embodiment of the shower plate in accordance with my design;

FIG. 8 is a front elevation view thereof; and wherein a rear elevation view will be a mirror image of the front elevation view;

FIG. 9 is a right side elevation view thereof; and wherein a left side elevation view will be a mirror image of the right side elevation view;

FIG. 10 is a bottom plan view of the shower plate;

FIG. 11 is a cross-section taken along line 11-11 of FIG. 7;

FIG. 12 is a cross-section taken along line 12-12 of FIG. 7;

FIG. 13 is a top plan view of a third embodiment of the shower plate in accordance with my design;

FIG. 14 is a front elevation view thereof; and wherein a rear elevation view will be a mirror image of the front elevation view;

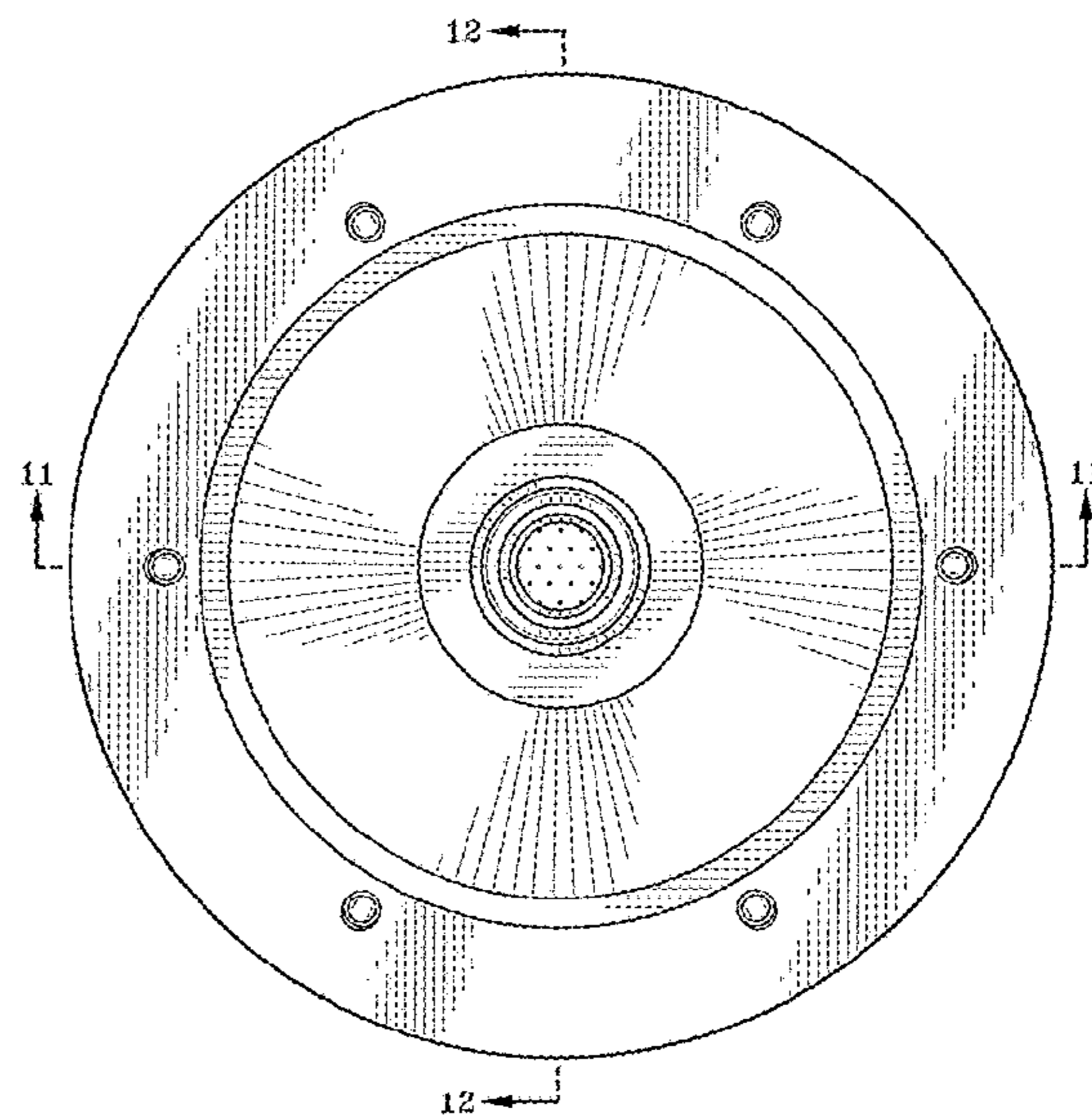
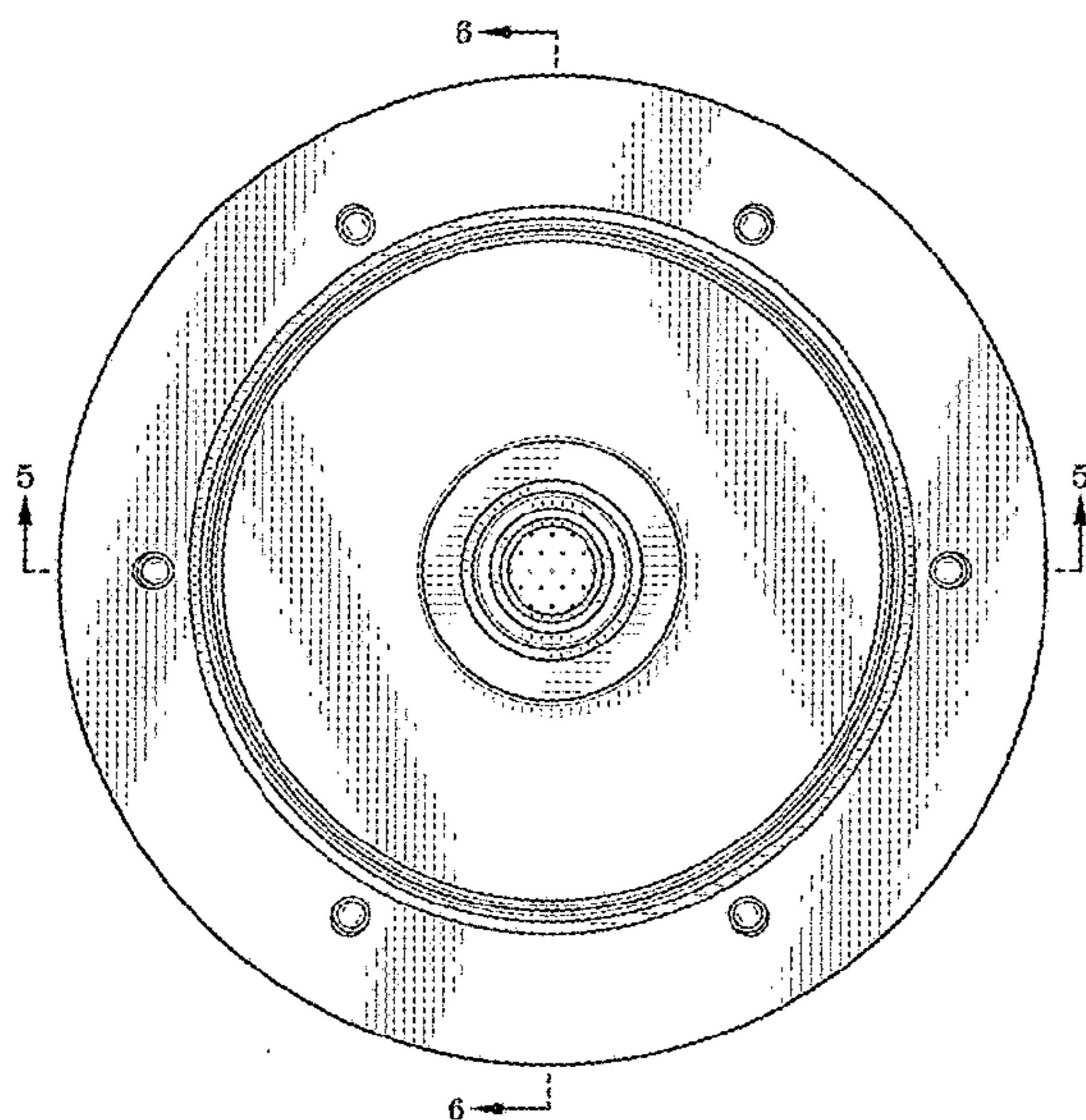
FIG. 15 is a right side elevation view thereof; and wherein a left side elevation view will be a mirror image of the right side elevation view;

FIG. 16 is a bottom plan view of the shower plate;

FIG. 17 is a cross-section taken along line 17-17 of FIG. 13; and,

FIG. 18 is a cross-section taken along line 18-18 of FIG. 13.

**1 Claim, 9 Drawing Sheets**



(56)

References Cited

U.S. PATENT DOCUMENTS

2,928,419	A *	3/1960	Kruse .....	E03F 5/042 137/593
5,060,322	A	10/1991	Delepine	
D327,534	S	6/1992	Manville et al.	
D351,220	S *	10/1994	Barnes .....	D23/260
D380,527	S	7/1997	Velez	
D400,838	S *	11/1998	Stahel .....	D12/197
D419,652	S	1/2000	Hall et al.	
D457,609	S	5/2002	Piano	
D461,233	S	8/2002	Whalen	
D461,882	S	8/2002	Piano	
D486,891	S	2/2004	Cronce, Jr.	
6,688,784	B1	2/2004	Templeton	
7,143,897	B1	12/2006	Guzman et al.	
D585,968	S	2/2009	Elkins et al.	
D602,575	S	10/2009	Breda	
D613,829	S	4/2010	Griffin et al.	
D652,896	S	1/2012	Grether	
D653,734	S	2/2012	Sisk	
8,196,234	B2	6/2012	Glunk	
D665,055	S	8/2012	Yanagisawa et al.	
8,307,472	B1	11/2012	Saxon et al.	
D720,838	S *	1/2015	Yamagishi .....	D23/261
D724,701	S *	3/2015	Yamagishi .....	D23/261
D732,145	S	6/2015	Yamagishi et al.	
D733,261	S *	6/2015	Yamagishi .....	D23/259
D733,843	S *	7/2015	Yamagishi .....	D23/259
D735,836	S	8/2015	Yamagishi et al.	
D746,955	S *	1/2016	Corder .....	D23/261
2005/0258280	A1	11/2005	Goto et al.	
2013/0292047	A1	11/2013	Tian et al.	
2014/0283747	A1	9/2014	Kasai et al.	

\* cited by examiner

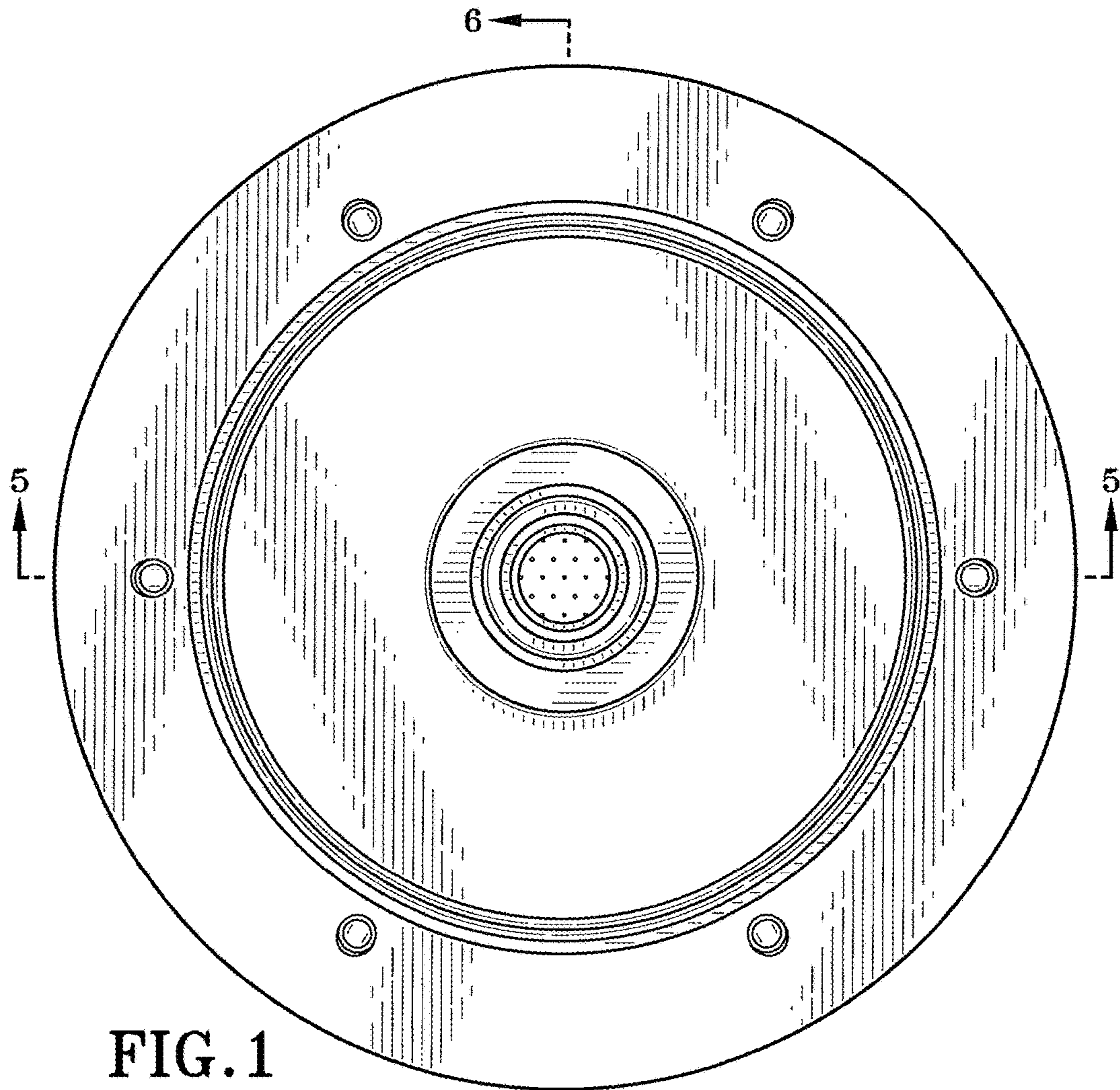


FIG. 1

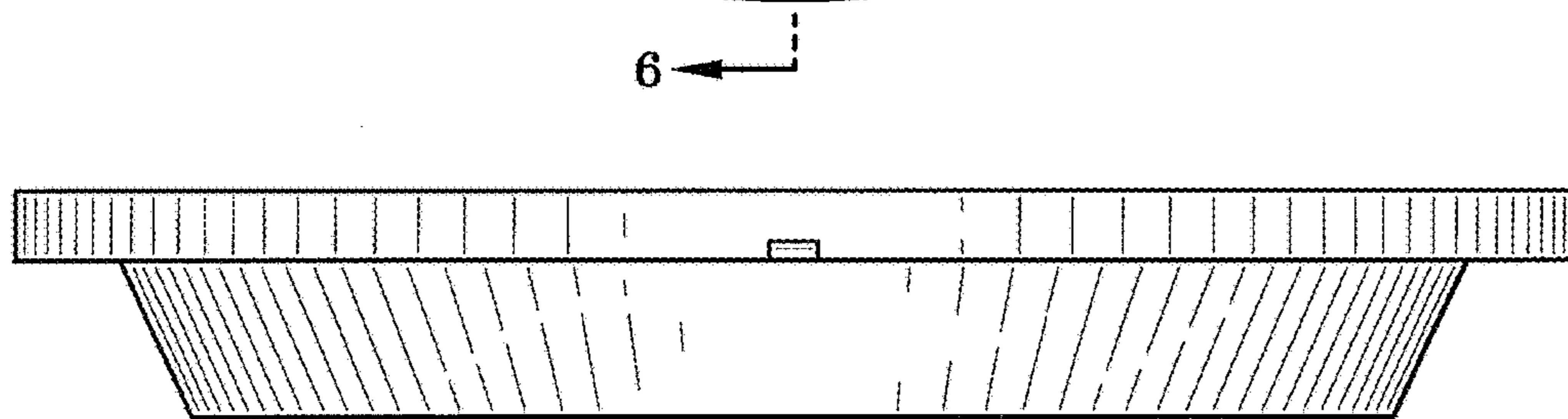


FIG. 2

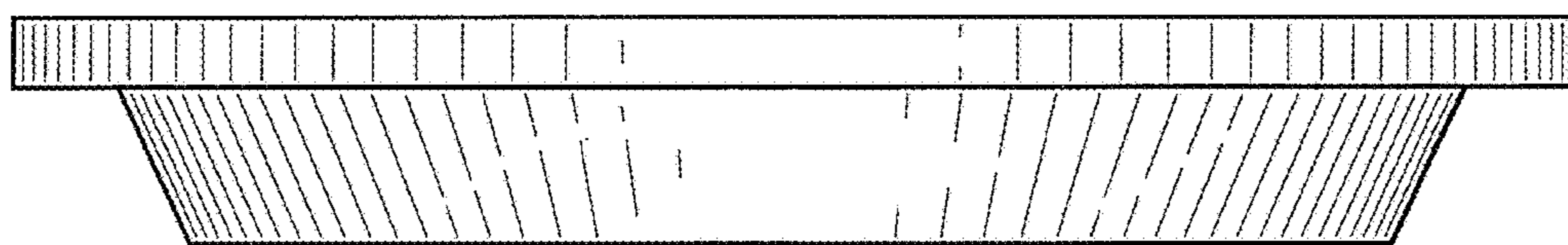


FIG. 3

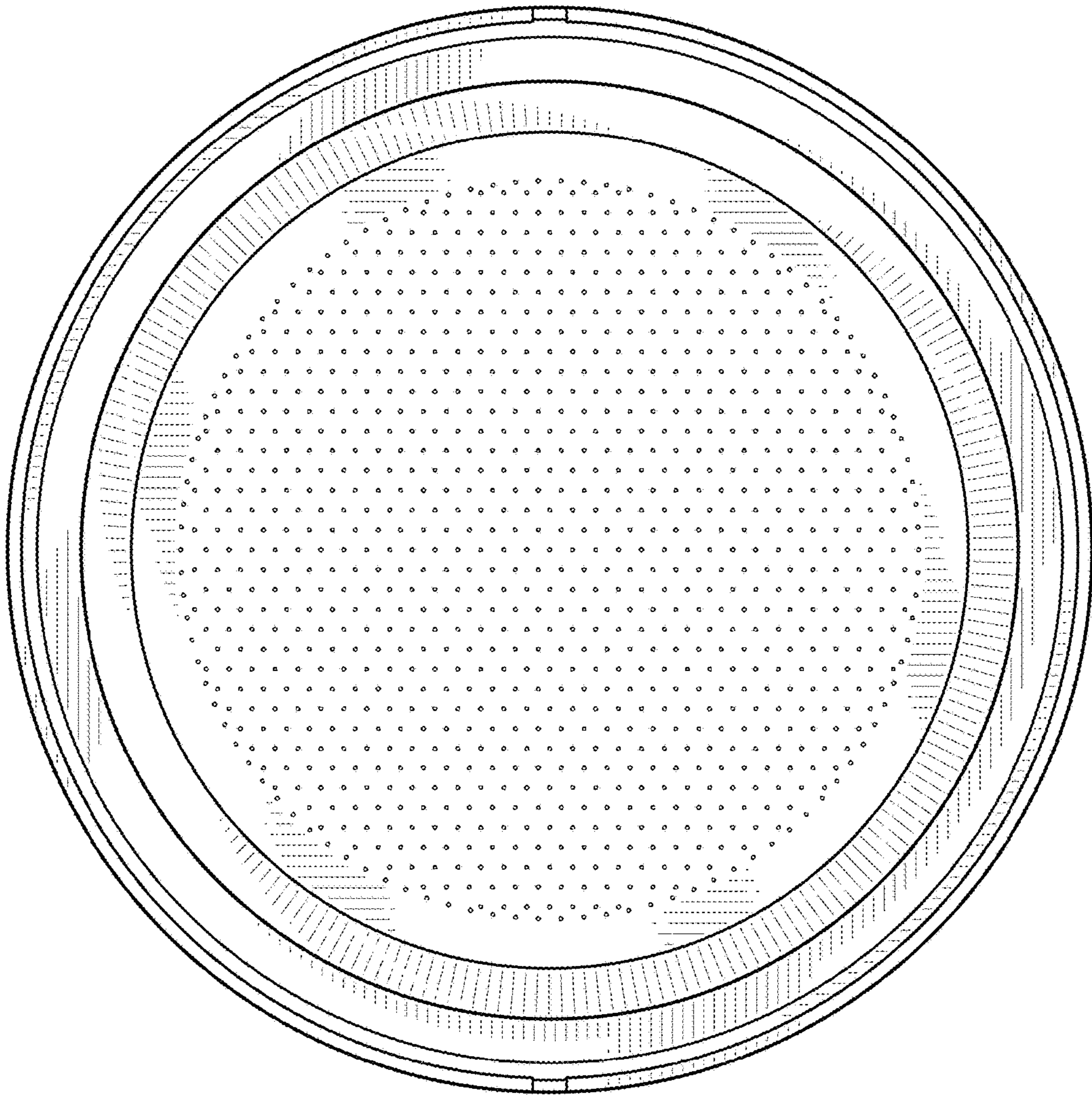


FIG. 4

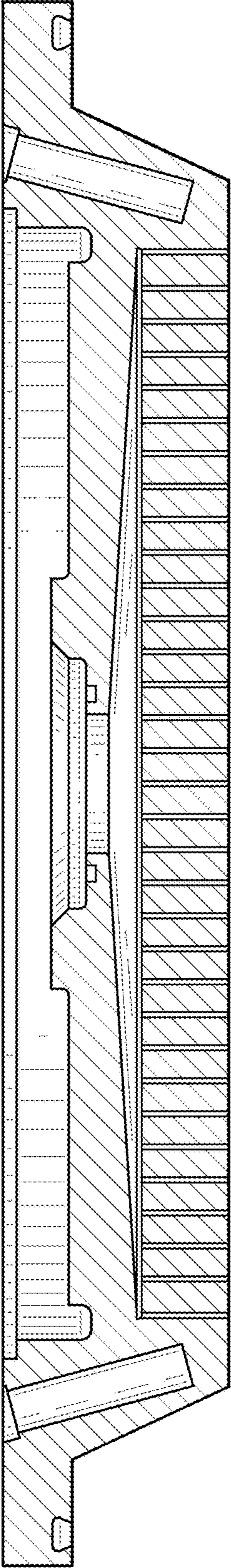


FIG. 5

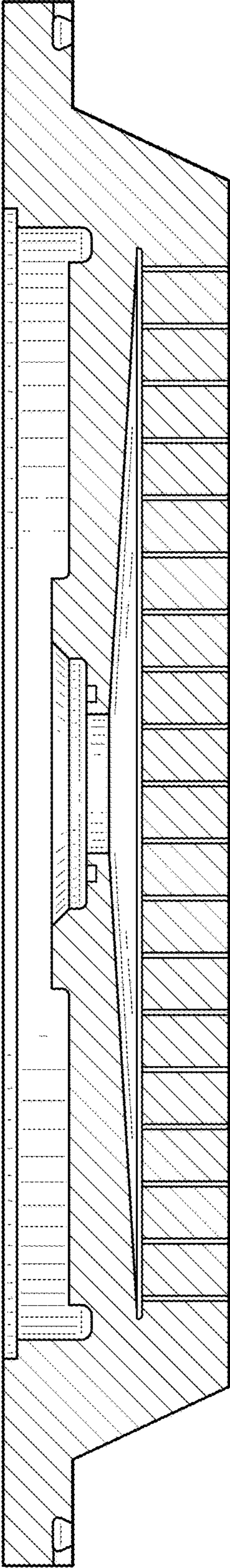


FIG. 6

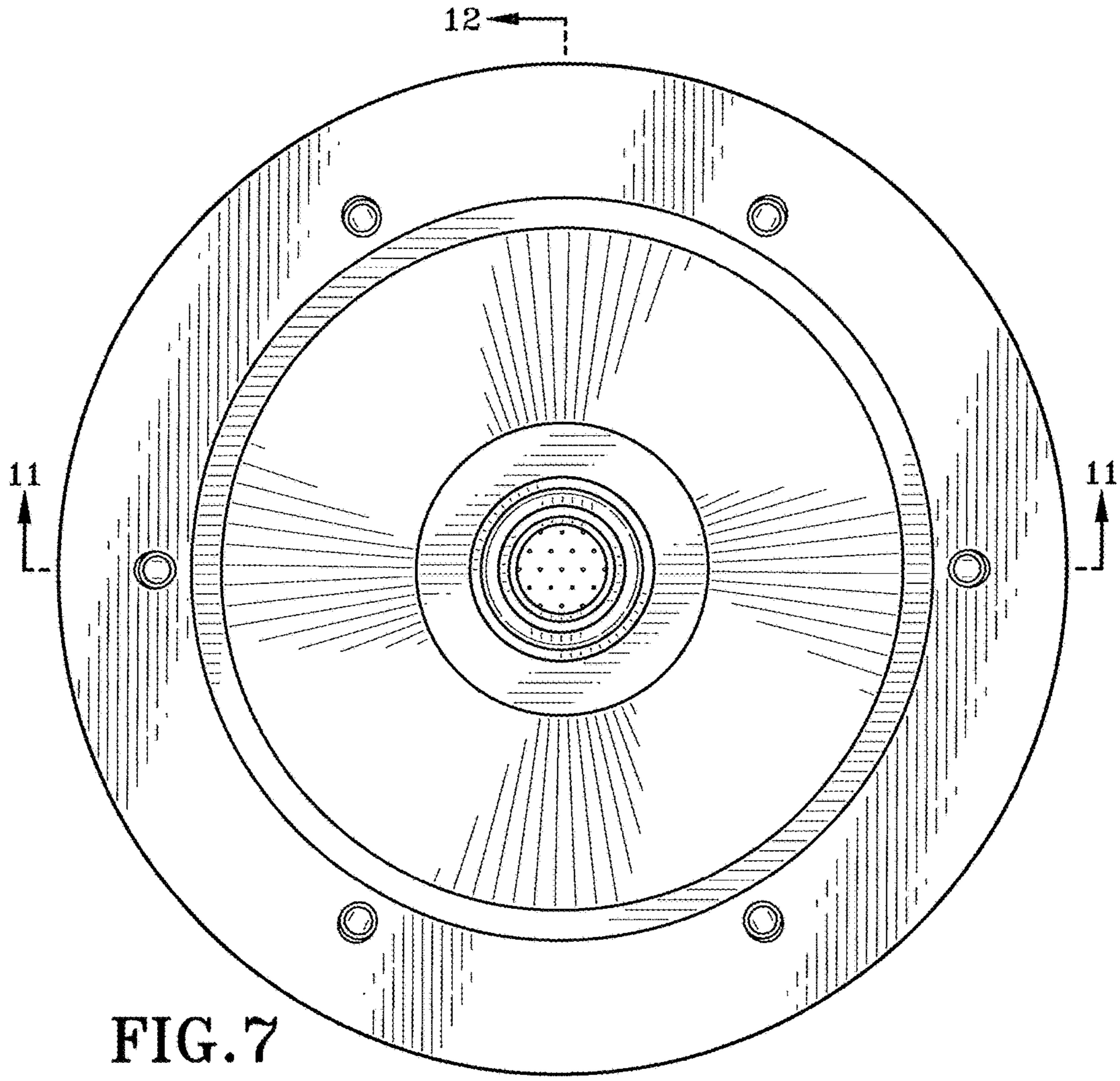


FIG. 7

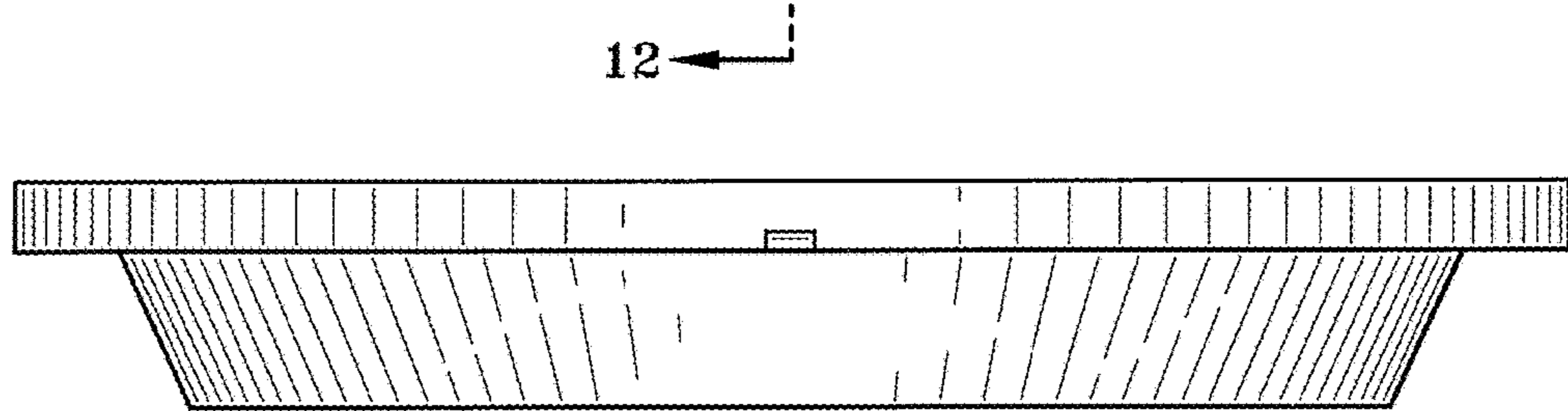


FIG. 8

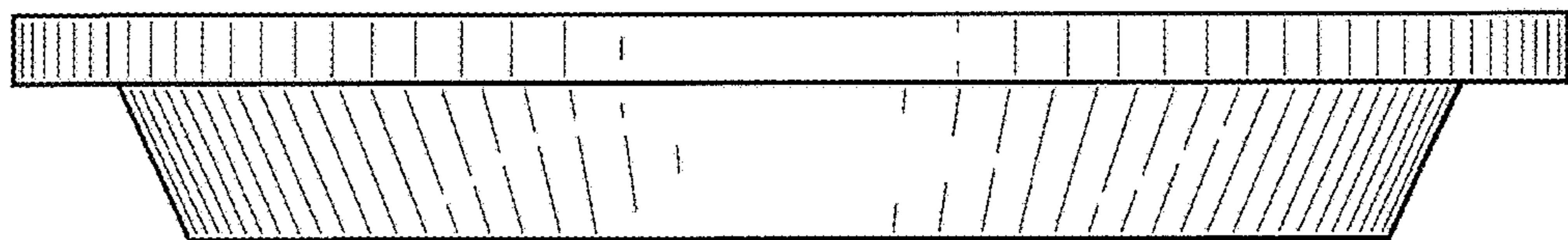


FIG. 9

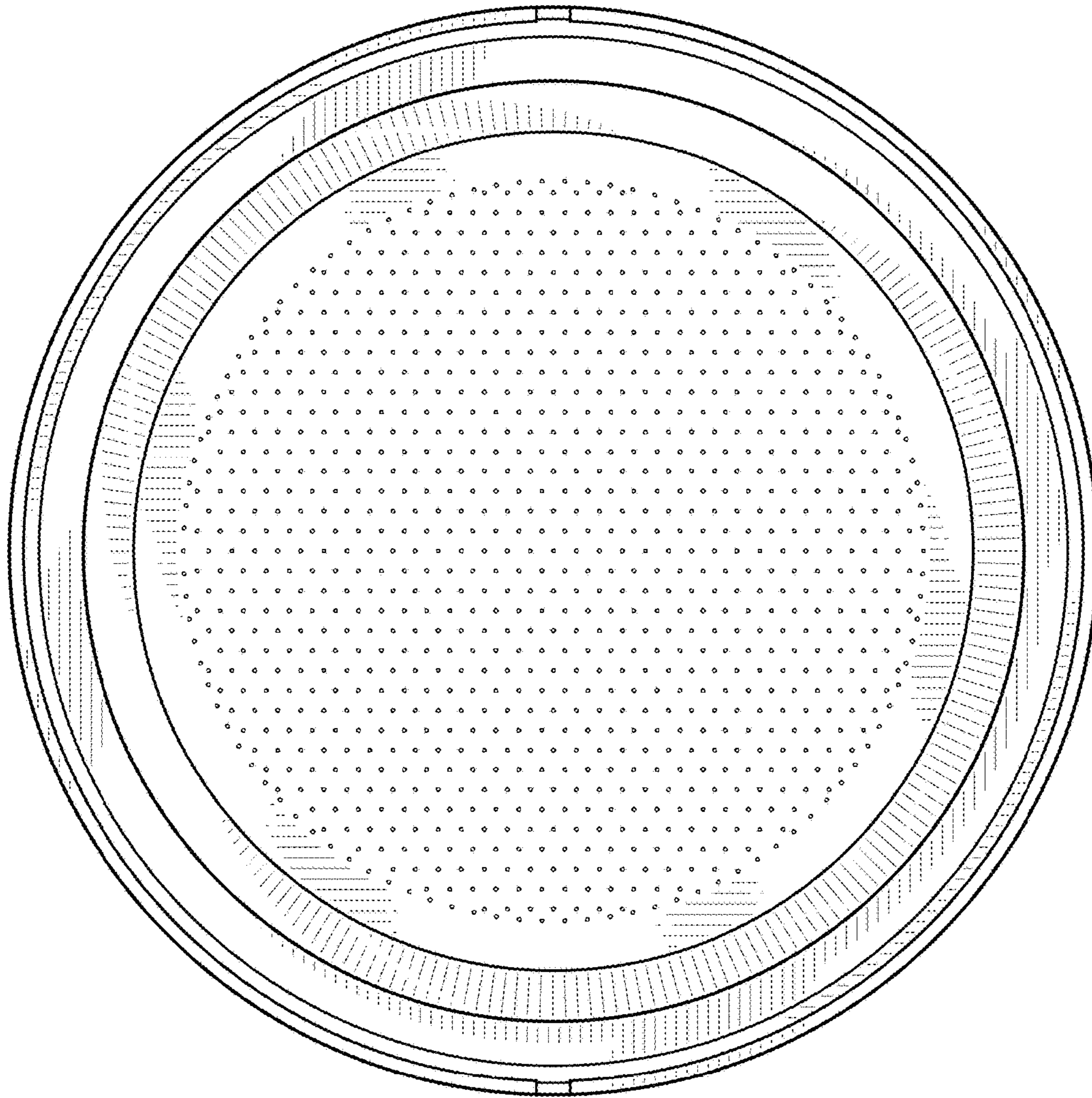


FIG. 10

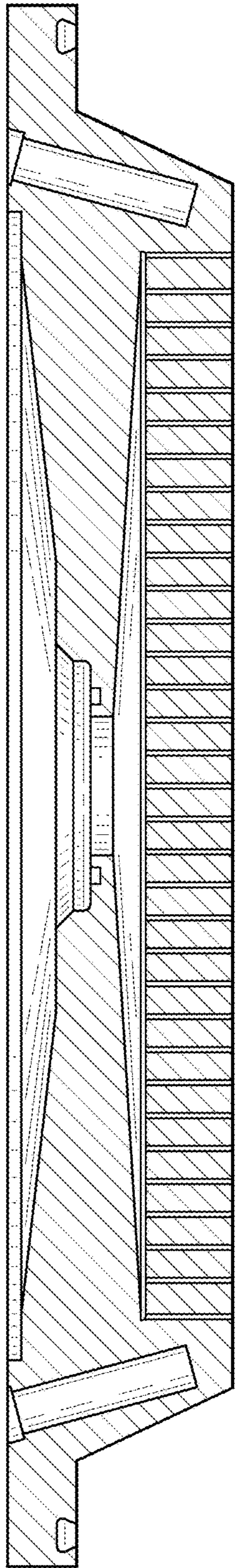


FIG. 11

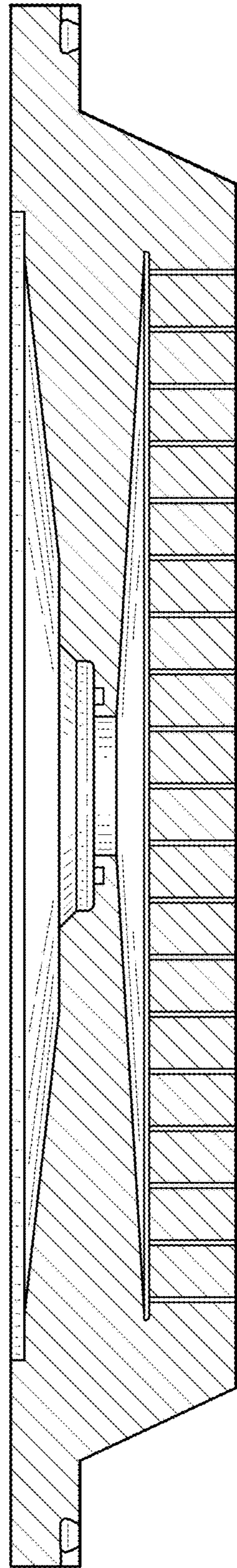


FIG. 12



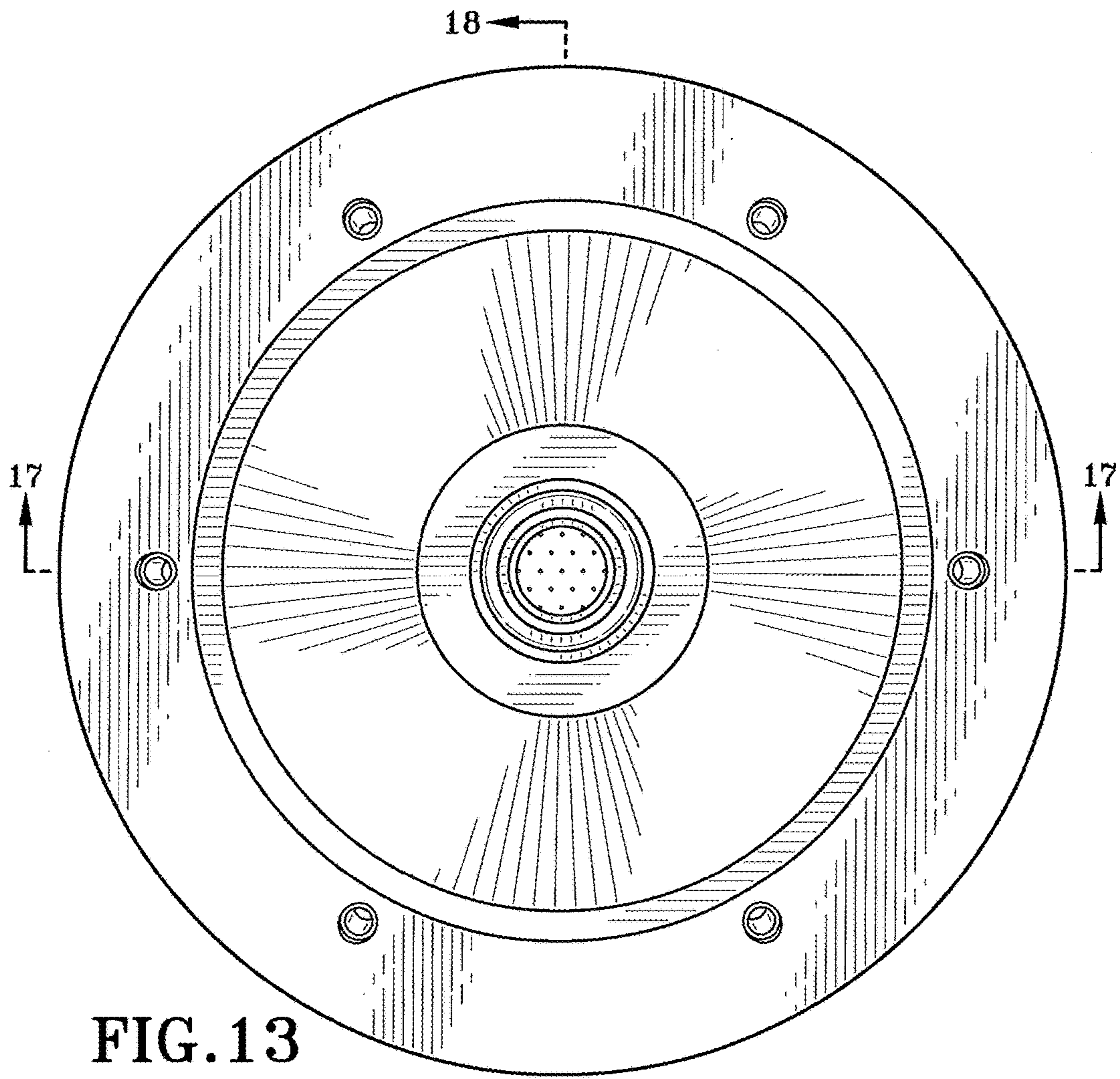


FIG. 13

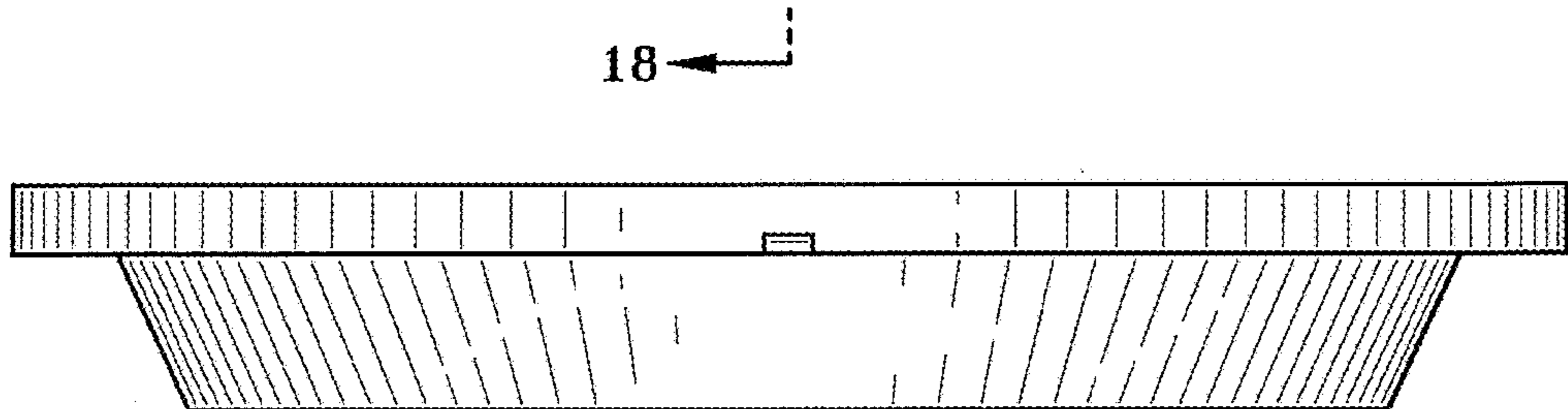


FIG. 14



FIG. 15

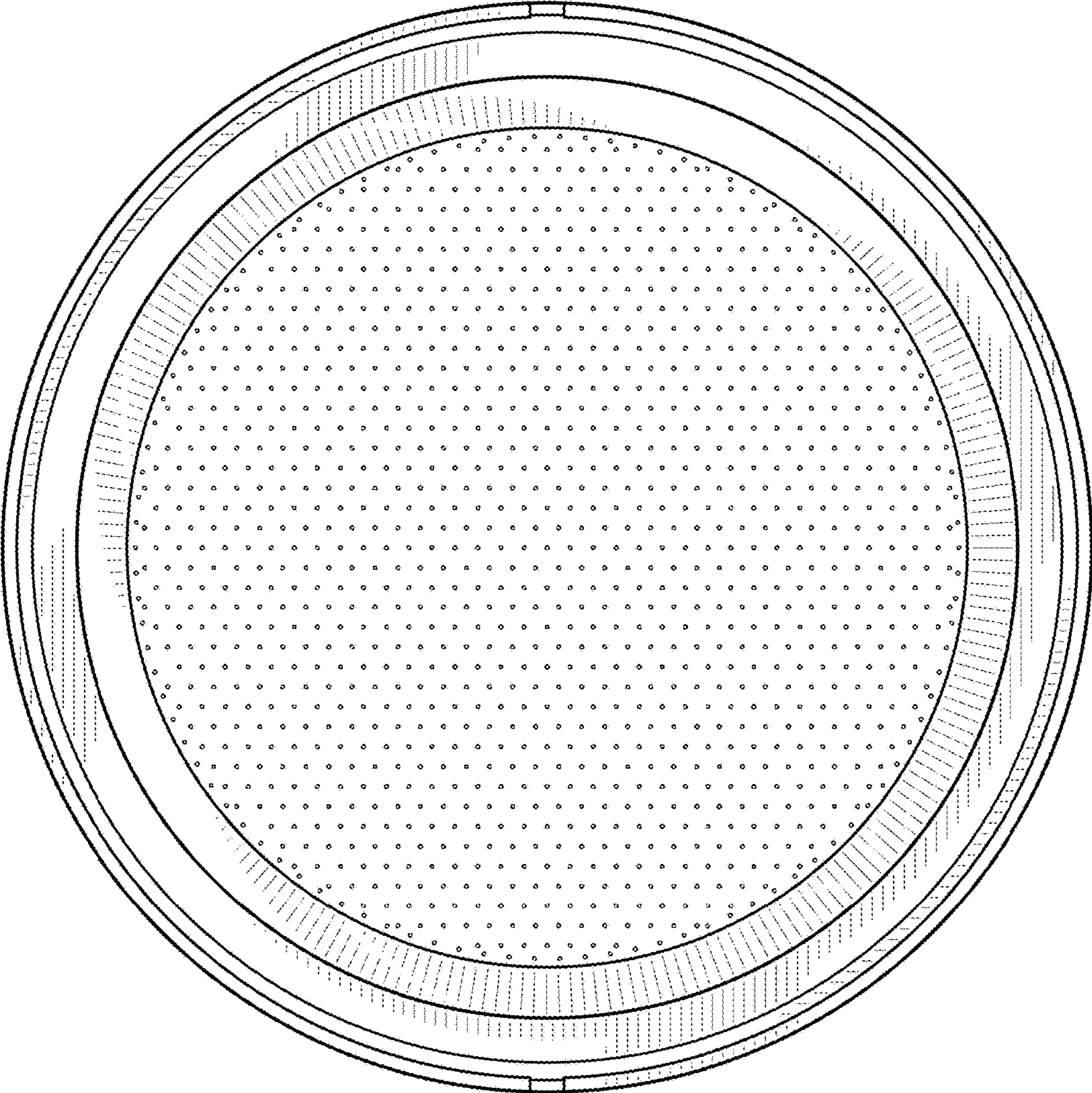


FIG. 16

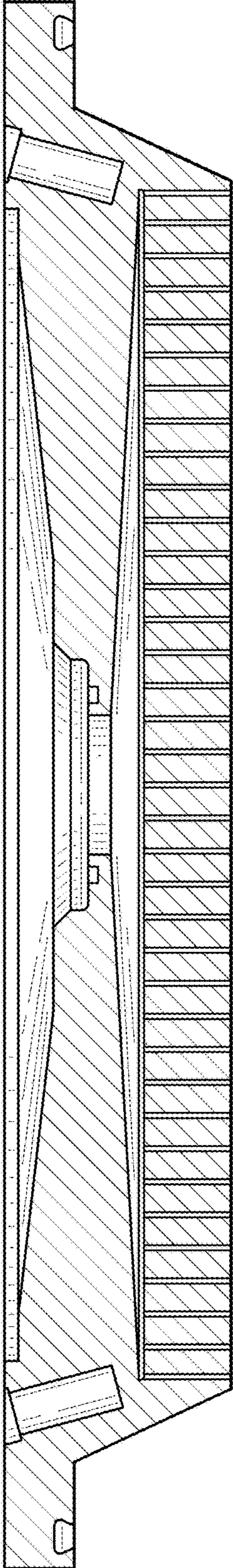


FIG. 17

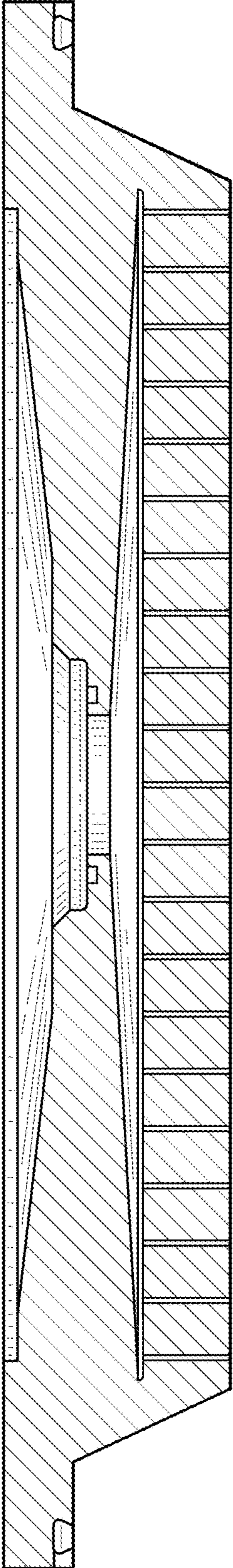


FIG. 18