



US00D785765S

(12) **United States Design Patent** (10) **Patent No.:** **US D785,765 S**
Eads (45) **Date of Patent:** **** May 2, 2017**

(54) **ESCUTCHEON**
(71) Applicant: **DELTA FAUCET COMPANY**,
Indianapolis, IN (US)
(72) Inventor: **Thad Eads**, North Manchester, IN (US)
(73) Assignee: **DELTA FAUCET COMPANY**,
Indianapolis, IN (US)
(**) Term: **15 Years**
(21) Appl. No.: **29/551,219**
(22) Filed: **Jan. 12, 2016**
(51) **LOC (10) Cl.** **23-01**
(52) **U.S. Cl.**
USPC **D23/254**
(58) **Field of Classification Search**
USPC D23/238–243, 249–254; D8/350–358
CPC E03C 1/04; E03C 1/0401; E03C 1/0402;
E03C 1/0404; F16K 31/602; F16K
31/605; F16K 31/607
See application file for complete search history.

D340,718 S * 10/1993 Leger D8/353
D540,919 S * 4/2007 Soriano D23/249
D665,884 S * 8/2012 Flowers D23/254

* cited by examiner

Primary Examiner — Robert Delehanty
(74) *Attorney, Agent, or Firm* — Edgar A. Zarins; Nirav
D. Parikh

(57) **CLAIM**

The ornamental design for an escutcheon, as shown and described.

DESCRIPTION

FIG. 1 is a perspective view of an escutcheon showing my new design;
FIG. 2 is a front elevational view thereof;
FIG. 3 is a first side view thereof, the opposite side being a mirror image of the side shown;
FIG. 4 is a top end view thereof; and,
FIG. 5 is a rear view thereof.
The broken line showing a handle is included for the purpose of illustrating environment that forms no part of the claimed design.

(56) **References Cited**
U.S. PATENT DOCUMENTS
D182,305 S * 3/1958 Russell D8/353
D300,238 S * 3/1989 Kohler, Jr. D23/254

1 Claim, 2 Drawing Sheets

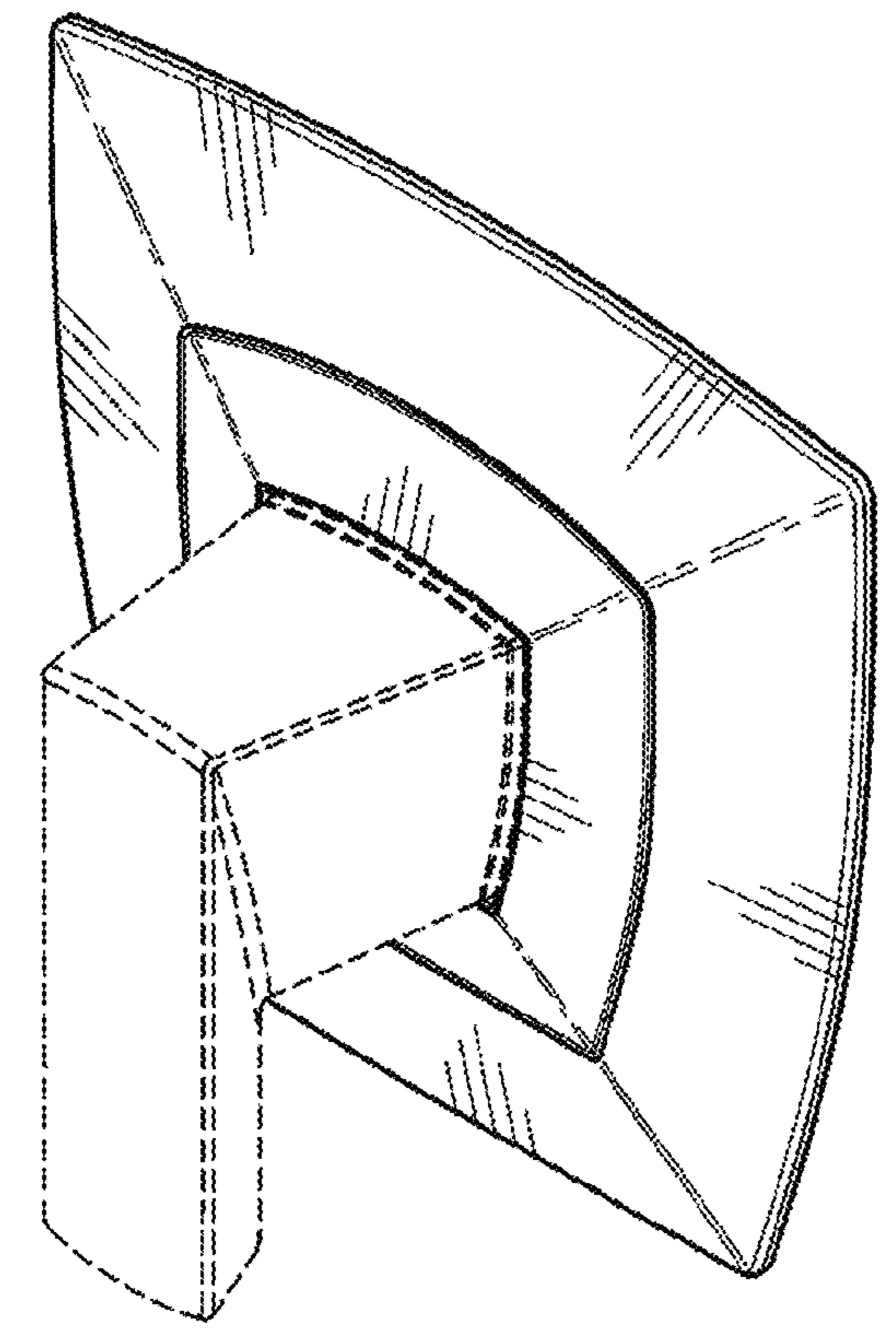


Fig-1

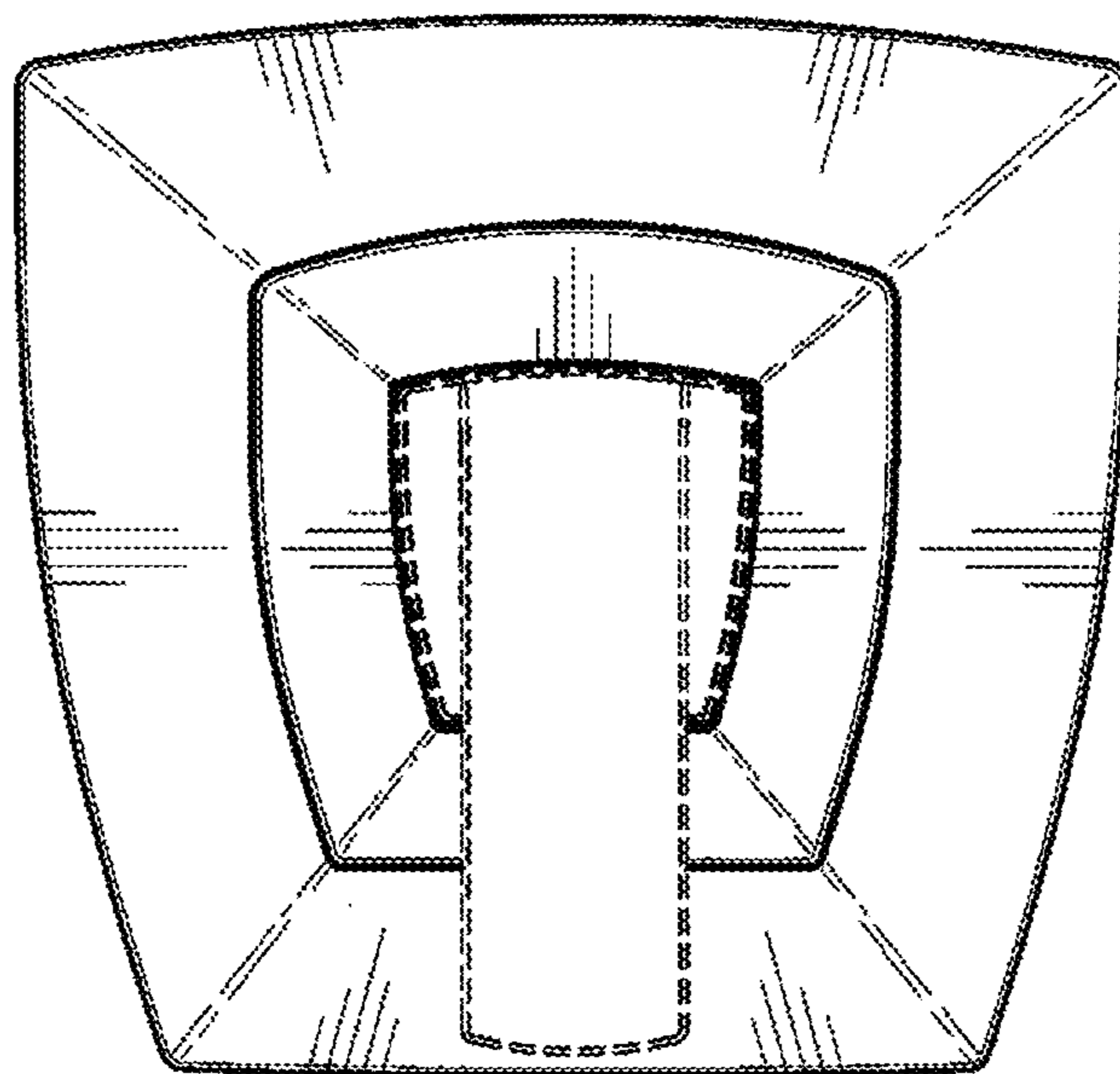
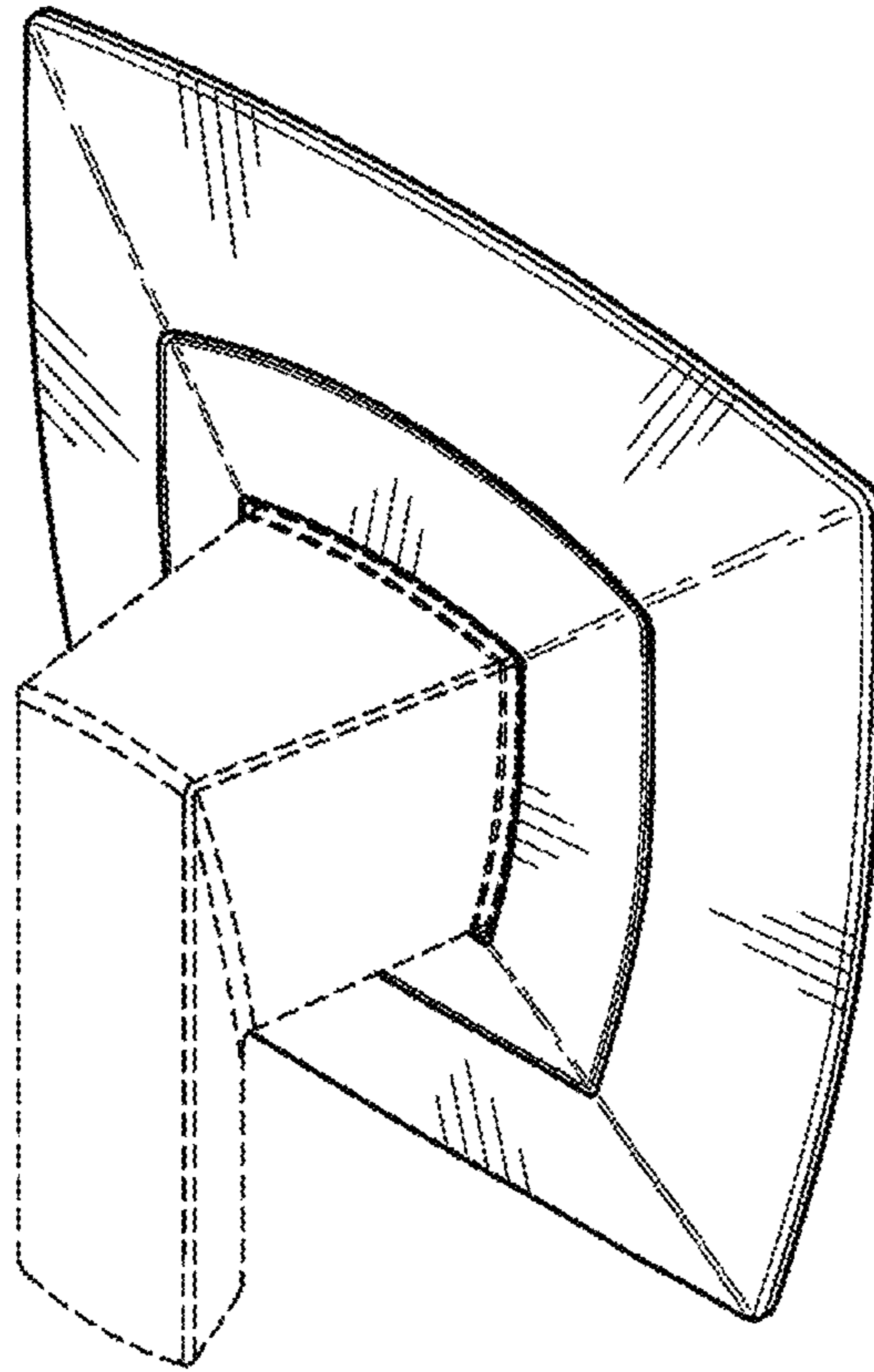


Fig-2

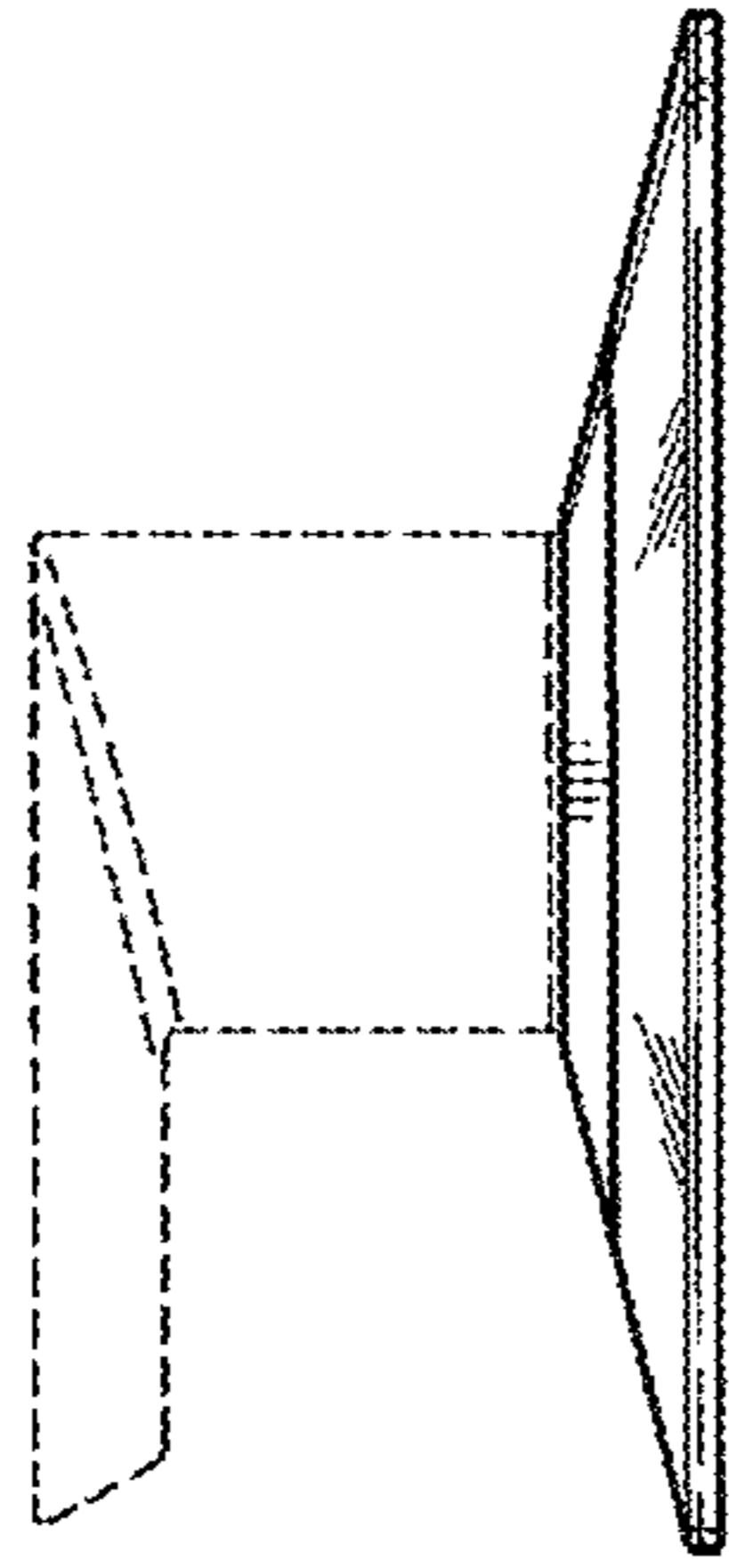


Fig-3

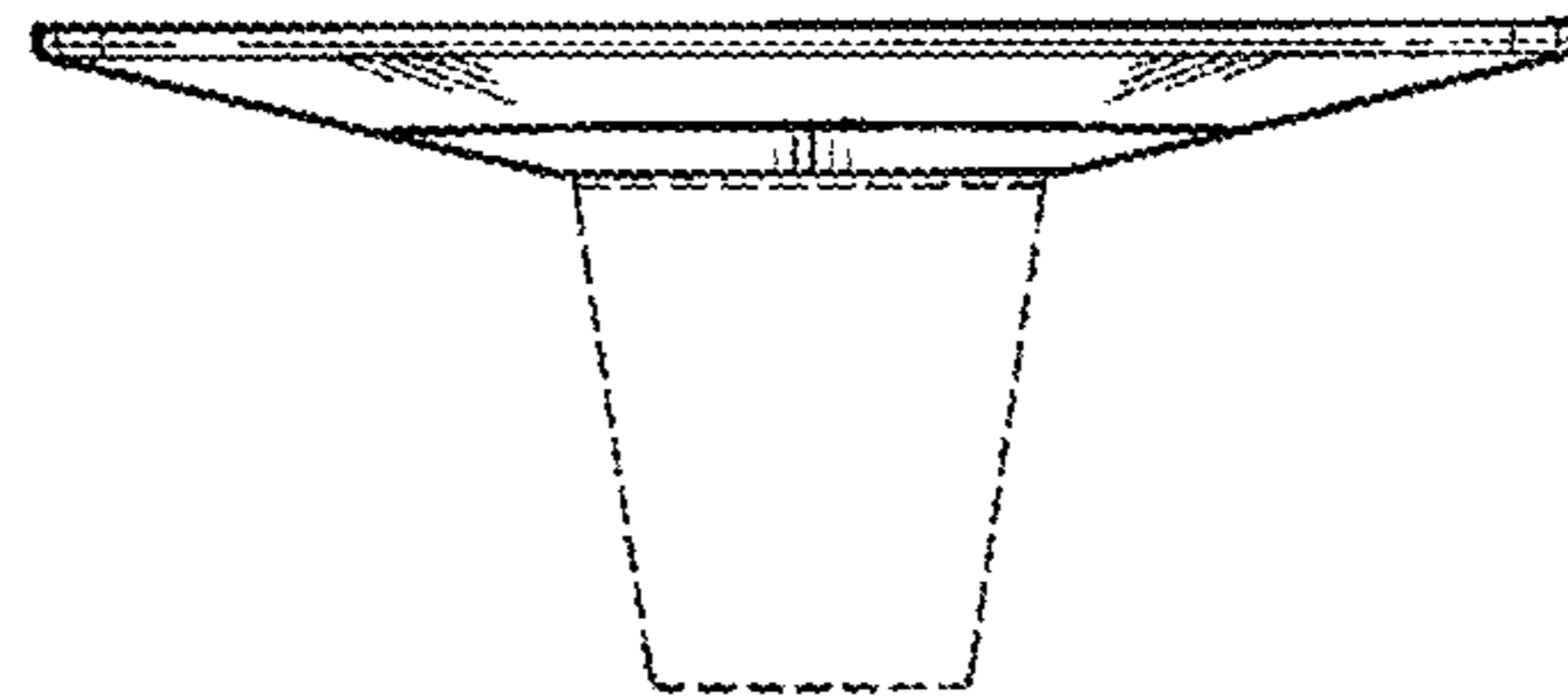


Fig-4

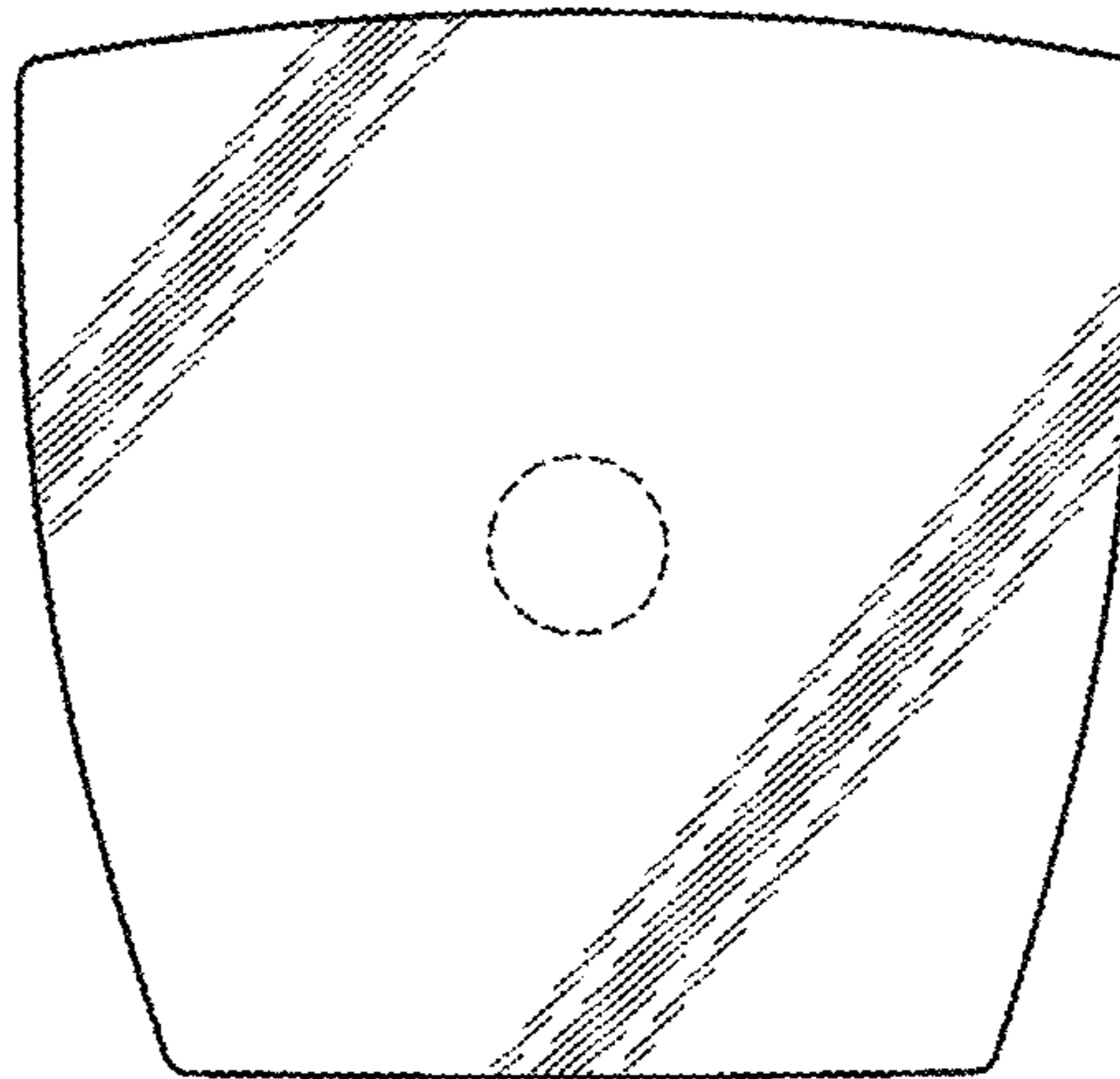


Fig-5