



US00D785760S

(12) **United States Design Patent** (10) **Patent No.:** **US D785,760 S**
Murray et al. (45) **Date of Patent:** **** May 2, 2017**

(54) **LAVATORY FIXTURE WITH INTEGRATED FAUCET, SOAP DISPENSER, AND HAND DRYER**

D291,115 S * 7/1987 Delepine D23/255
D296,233 S * 6/1988 Enthoven D23/241
D310,866 S * 9/1990 Strignano D23/241
4,953,236 A * 9/1990 Lee E03C 1/057
236/12.12
D312,496 S * 11/1990 Strignano D23/242
D318,100 S * 7/1991 Rodstein D23/255
D318,320 S * 7/1991 Zerlia D23/241
D322,840 S * 12/1991 Rodstein D23/255
D327,118 S * 6/1992 Rodstein D23/242
D334,798 S * 4/1993 Levien D23/255
5,215,216 A * 6/1993 Van Marcke A47K 5/1202
222/1
D341,741 S * 11/1993 Allen D6/542
D341,875 S * 11/1993 Allen D23/238

(71) Applicant: **Bradley Fixtures Corporation,**
Menomonee Falls, WI (US)

(72) Inventors: **Chris Murray,** Chicago, IL (US);
Trevis Kurz, Chicago, IL (US);
Cassandra Anne Schneider,
Oconomowoc, WI (US); **William L.**
Haas, Slinger, WI (US)

(73) Assignee: **Bradley Fixtures Corporation,**
Menomonee Falls, WI (US)

(**) Term: **15 Years**

(21) Appl. No.: **29/576,900**

(22) Filed: **Sep. 8, 2016**

Related U.S. Application Data

(62) Division of application No. 29/528,444, filed on May 28, 2015, now Pat. No. Des. 768,824.

(51) **LOC (10) Cl.** **23-01**

(52) **U.S. Cl.**
USPC **D23/238**

(58) **Field of Classification Search**
USPC D23/238–243, 249–250, 252, 255, 257;
D28/54.1, 58; D6/542–545

CPC E03C 1/04; E03C 1/0401; E03C 1/0402;
E03C 1/0404; E03C 1/057; E03C 1/052;
F16K 31/602; F16K 31/605; F16K
31/607; A47K 5/1217; A47K 10/48

See application file for complete search history.

(56) **References Cited**

U.S. PATENT DOCUMENTS

D224,402 S * 7/1972 Jenner D23/241
D289,916 S * 5/1987 Delepine D23/255

(Continued)

Primary Examiner — Robert Delehanty

(74) *Attorney, Agent, or Firm* — Boyle Fredrickson, S.C.

(57) **CLAIM**

The ornamental design for a lavatory fixture with integrated faucet, soap dispenser, and hand dryer, substantially, as shown and described.

DESCRIPTION

FIG. 1 is a raised perspective view of an embodiment of a pair of lavatory fixtures, each fixture including a faucet, soap dispenser, and hand dryer all-in-one that are mounted on a basin;

FIG. 2 is a front view of a single fixture of the embodiment as shown in FIG. 1;

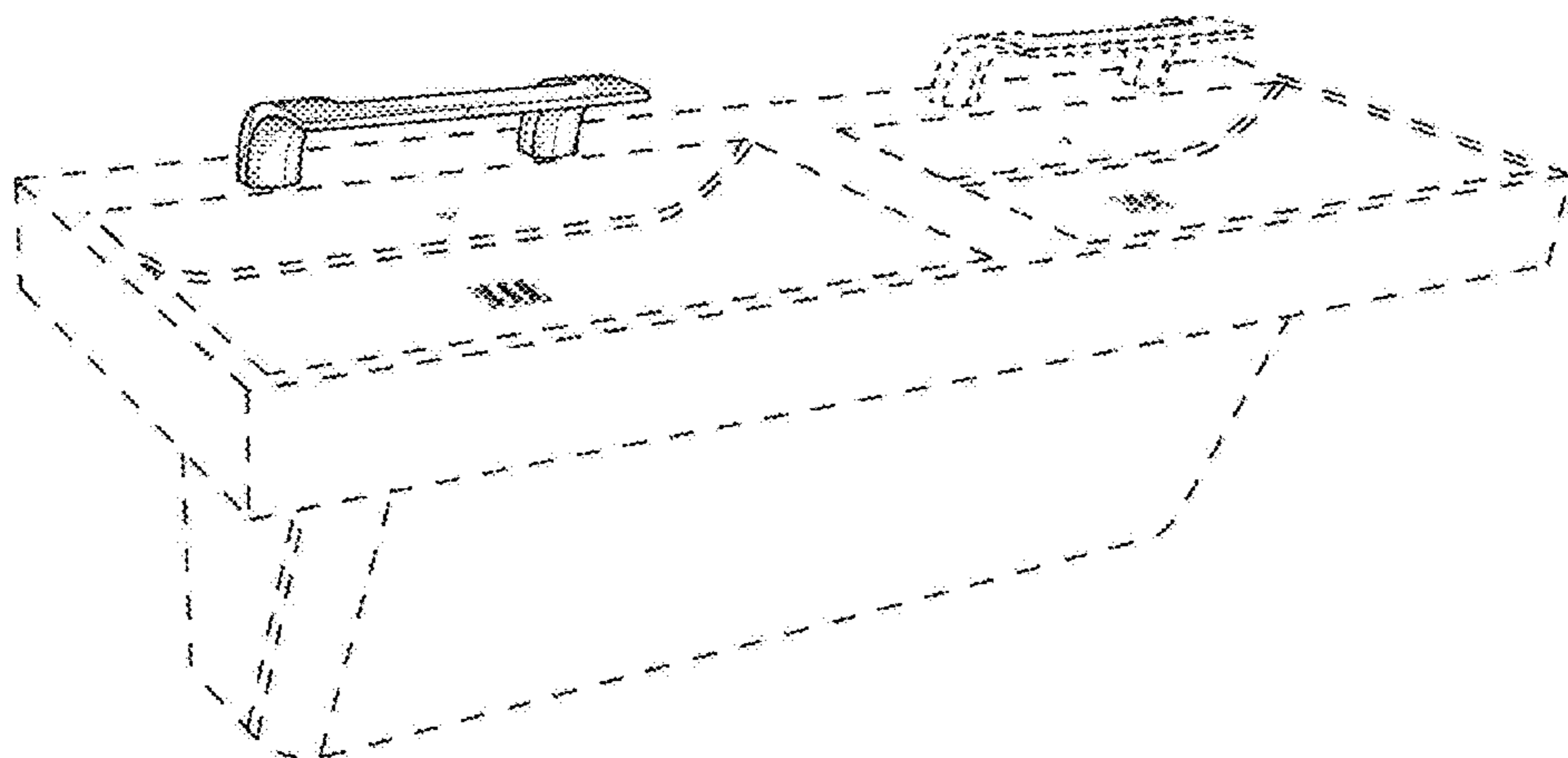
FIG. 3 is a side view of a single fixture of the embodiment as shown in FIG. 1;

FIG. 4 is a top view of a single fixture of the embodiment as shown in FIG. 1; and,

FIG. 5 is a raised perspective view of the pair of lavatory fixtures as shown in FIG. 1.

Any broken lines represent environmental structure and form no part of the claimed design.

1 Claim, 5 Drawing Sheets



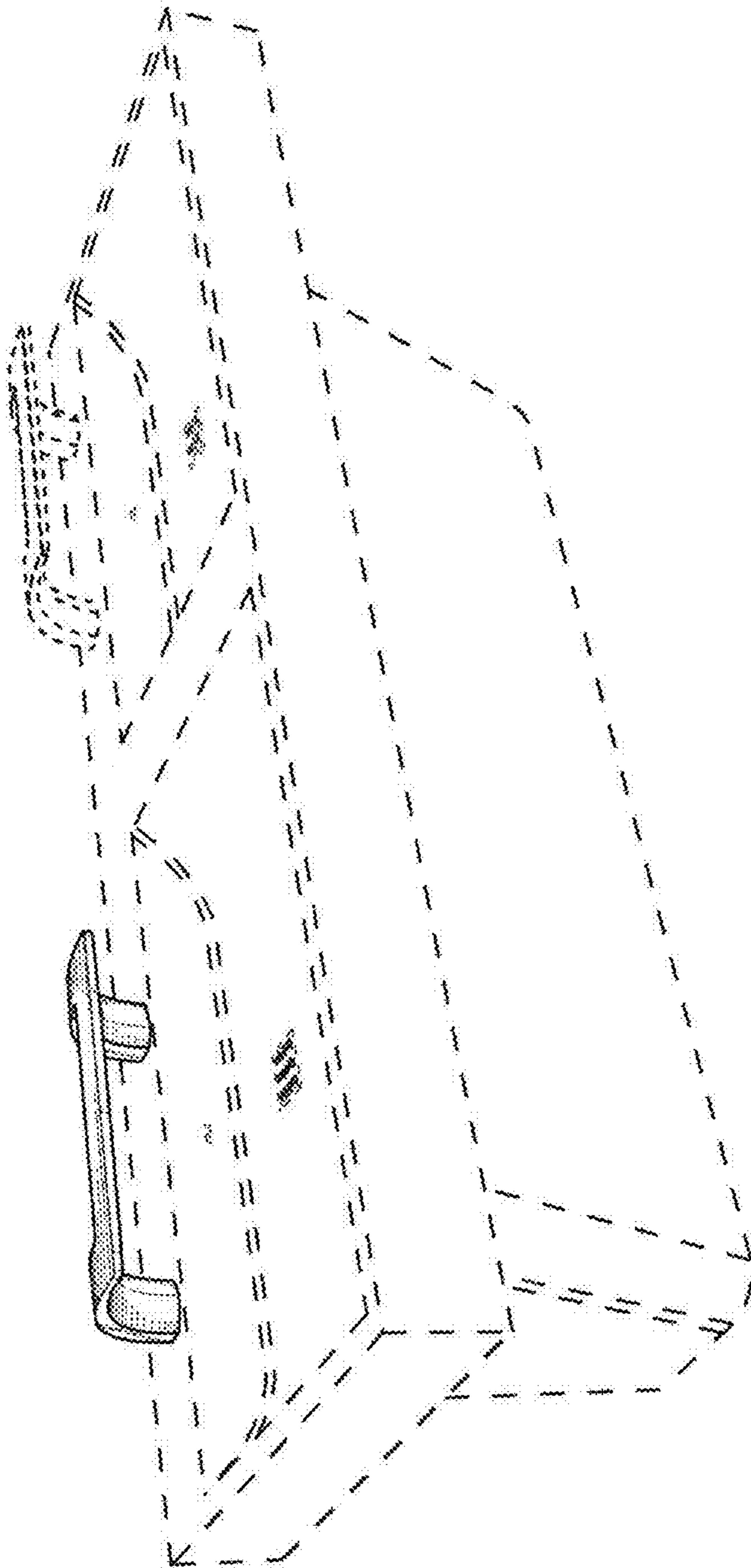


FIG.1

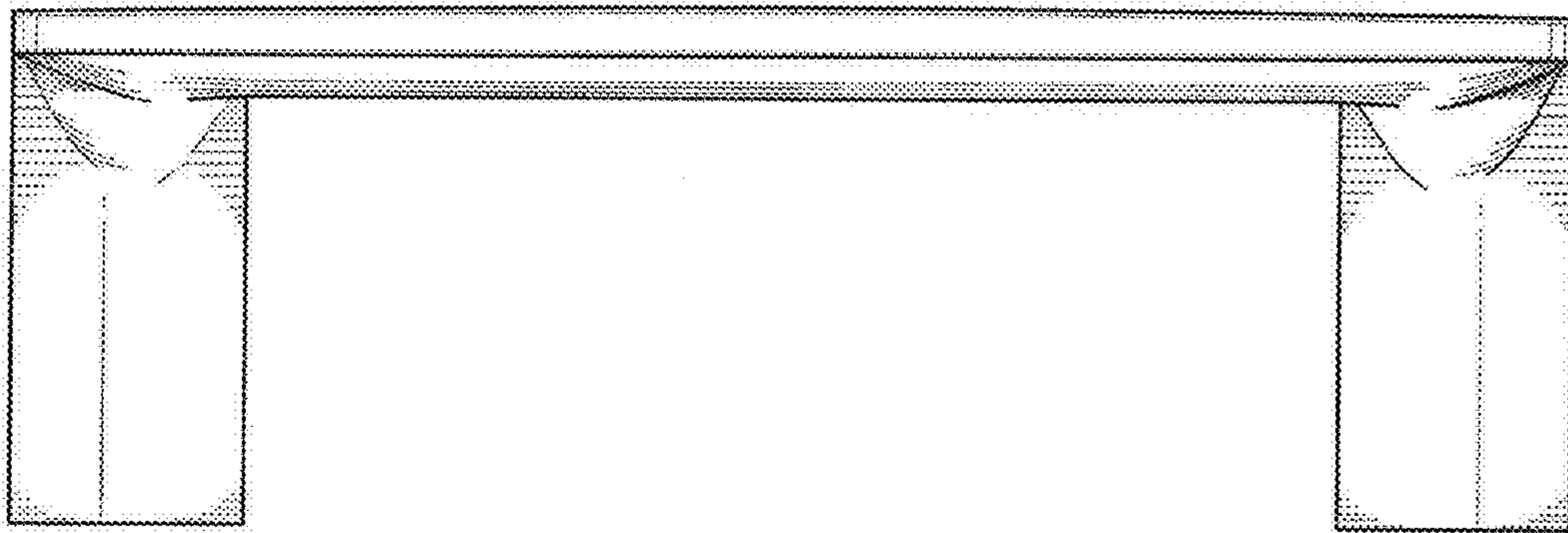


FIG. 2

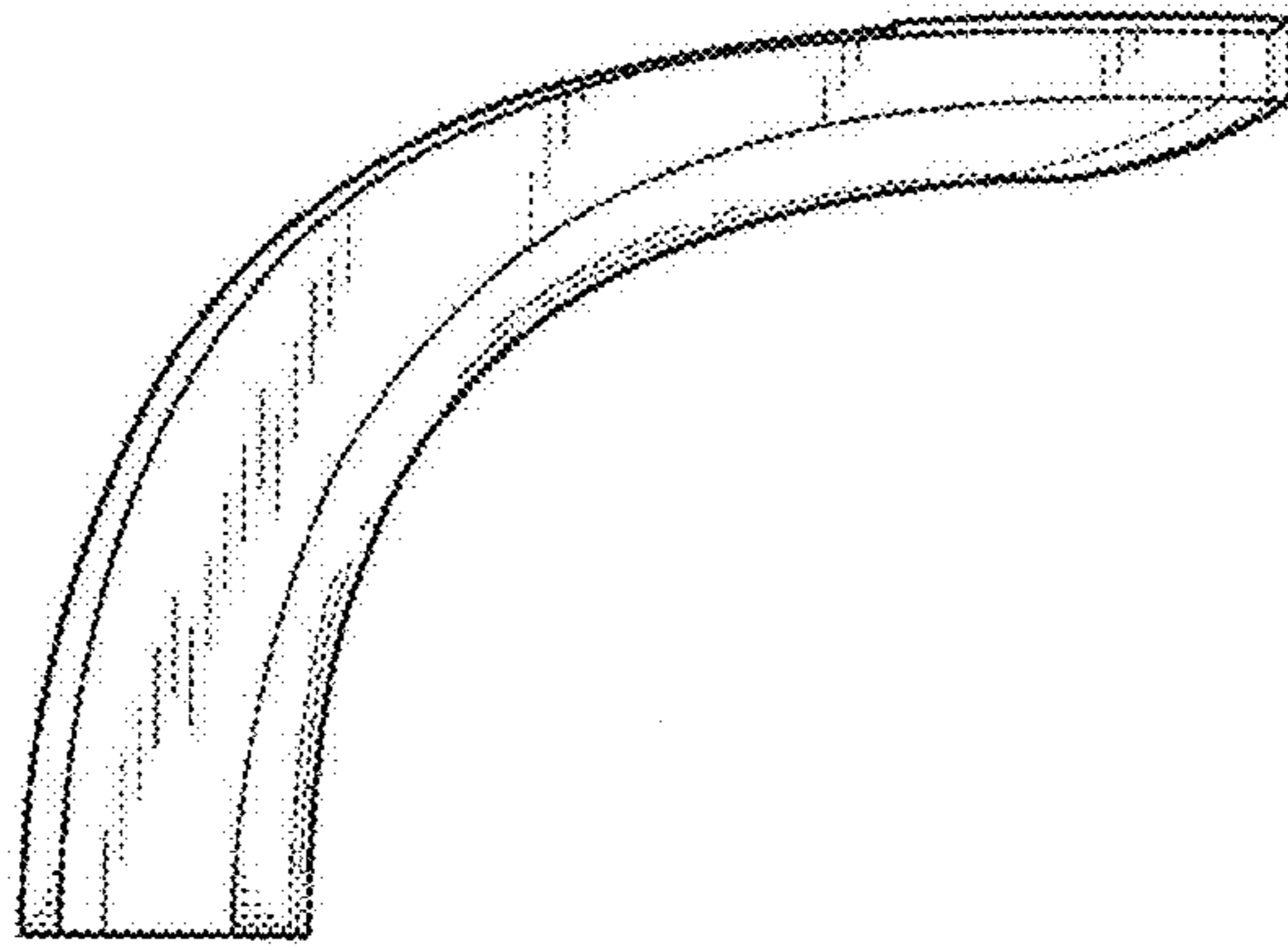


FIG.3

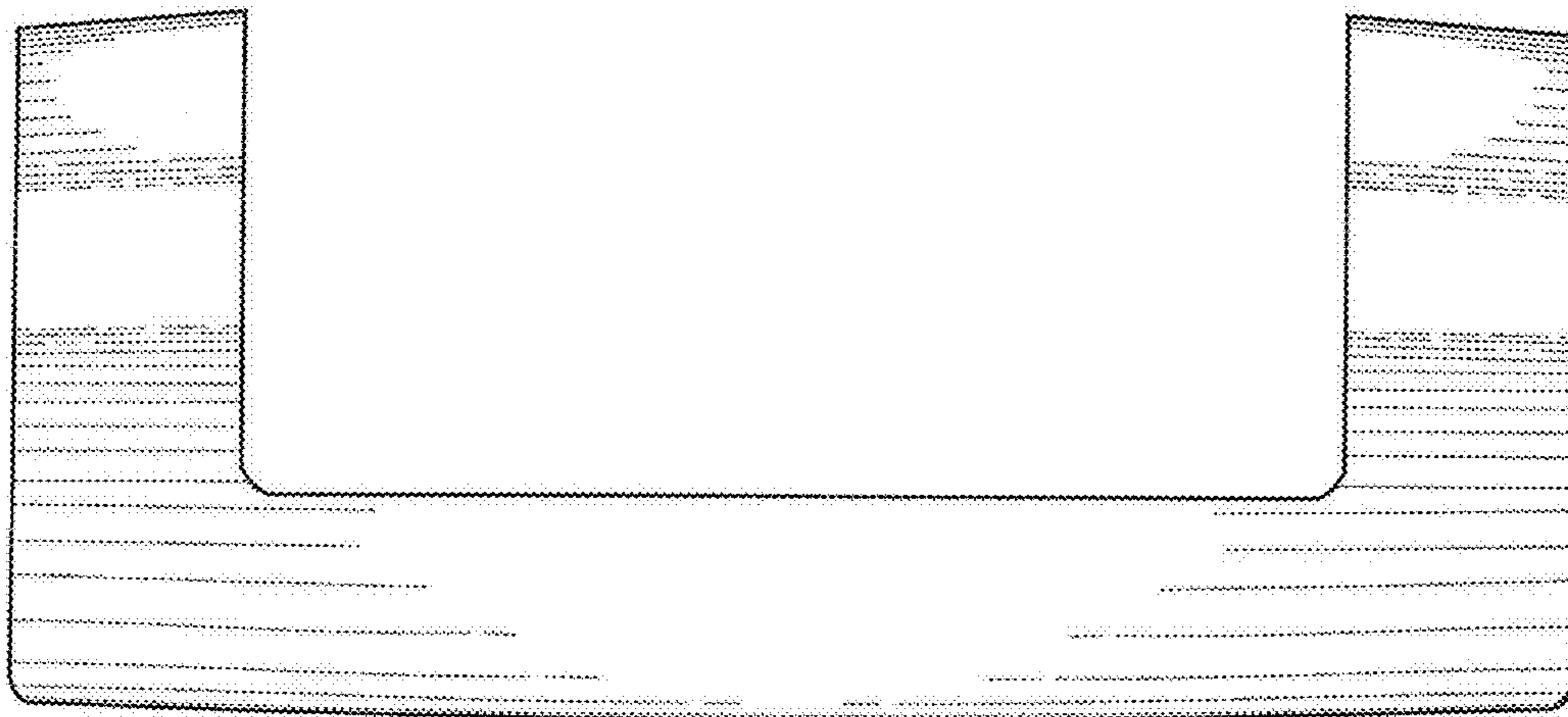


FIG.4

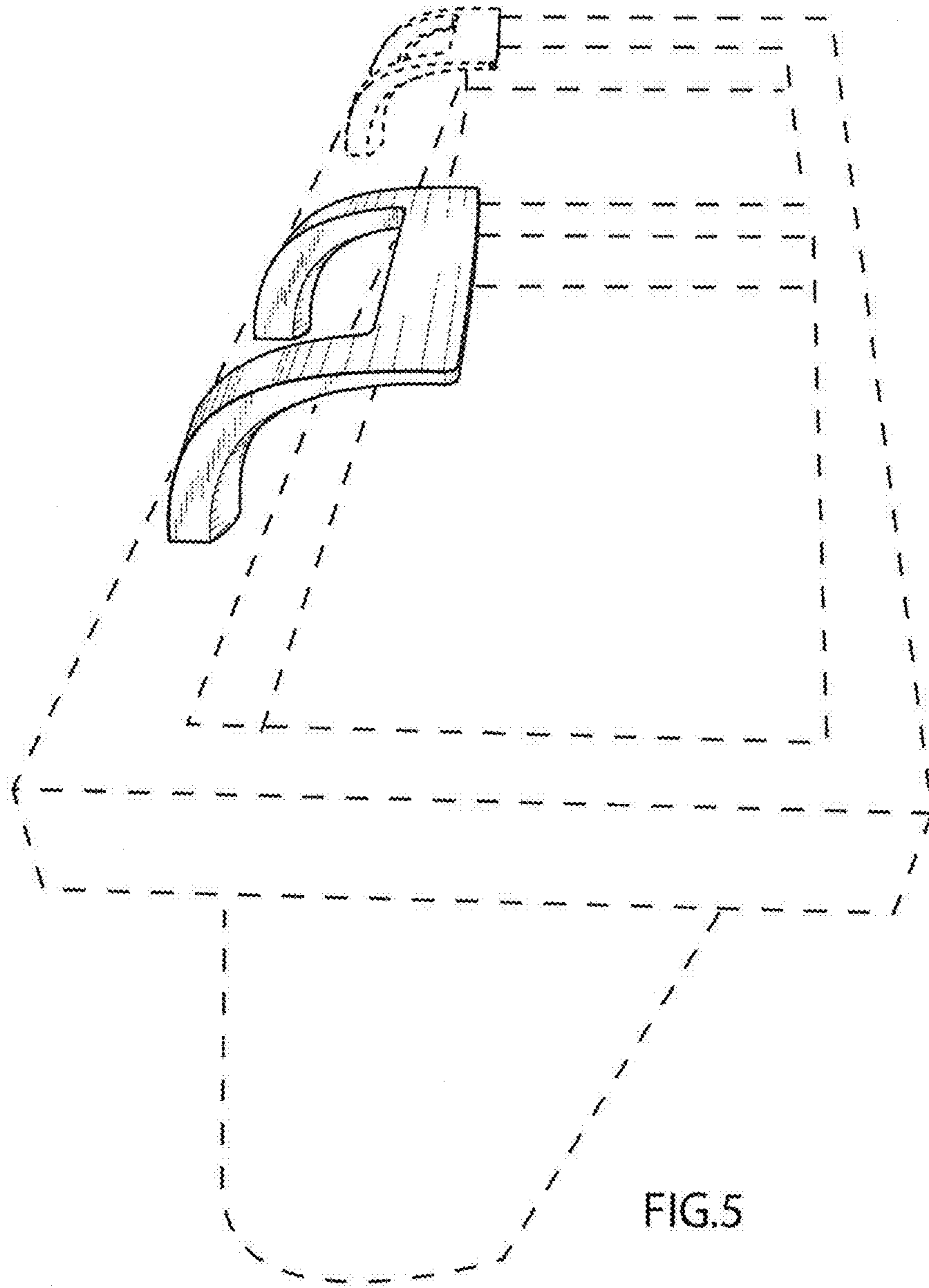


FIG.5