



US00D785757S

(12) **United States Design Patent**  
**Murray et al.**

(10) **Patent No.:** **US D785,757 S**

(45) **Date of Patent:** **\*\* May 2, 2017**

(54) **LAVATORY FIXTURES**

(71) Applicant: **Bradley Fixtures Corporation,**  
Menomonee Falls, WI (US)

(72) Inventors: **Chris Murray,** Chicago, IL (US);  
**Trevis Kurz,** Chicago, IL (US)

(73) Assignee: **Bradley Fixtures Corporation,**  
Menomonee Falls, WI (US)

(\*\*) Term: **15 Years**

(21) Appl. No.: **29/576,897**

(22) Filed: **Sep. 8, 2016**

**Related U.S. Application Data**

(62) Division of application No. 29/520,743, filed on Mar. 17, 2015, now Pat. No. Des. 768,267.

(51) **LOC (10) Cl.** ..... **23-01**

(52) **U.S. Cl.**  
USPC ..... **D23/238**

(58) **Field of Classification Search**  
USPC ..... D23/238–243, 249–250, 252, 255, 257;  
D28/54.1, 58; D6/542–545  
CPC ..... E03C 1/04; E03C 1/0401; E03C 1/0402;  
E03C 1/0404; E03C 1/057; E03C 1/052;  
F16K 31/602; F16K 31/605; F16K  
31/607; A47K 5/1217; A47K 10/48  
See application file for complete search history.

(56) **References Cited**

**U.S. PATENT DOCUMENTS**

D224,402 S \* 7/1972 Jenner ..... D23/241  
D289,916 S \* 5/1987 Delepine ..... D23/255  
D291,115 S \* 7/1987 Delepine ..... D23/255  
D296,233 S \* 6/1988 Enthoven ..... D23/241  
D310,866 S \* 9/1990 Strignano ..... D23/241  
4,953,236 A \* 9/1990 Lee ..... E03C 1/057  
236/12.12

D312,496 S \* 11/1990 Strignano ..... D23/242  
D318,100 S \* 7/1991 Rodstein ..... D23/255  
D318,320 S \* 7/1991 Zerlia ..... D23/241  
D322,840 S \* 12/1991 Rodstein ..... D23/255  
D327,118 S \* 6/1992 Rodstein ..... D23/242  
D334,798 S \* 4/1993 Levien ..... D23/255  
5,215,216 A \* 6/1993 Van Marcke ..... A47K 5/1202  
222/1  
D341,741 S \* 11/1993 Allen ..... D6/542  
D341,875 S \* 11/1993 Allen ..... D23/238  
D465,556 S \* 11/2002 Ouyoung ..... D23/238  
D582,008 S \* 12/2008 Citterio ..... D23/238  
D614,733 S \* 4/2010 Pan ..... D23/238

(Continued)

*Primary Examiner* — Robert Delehanty

(74) *Attorney, Agent, or Firm* — Boyle Fredrickson, S.C.

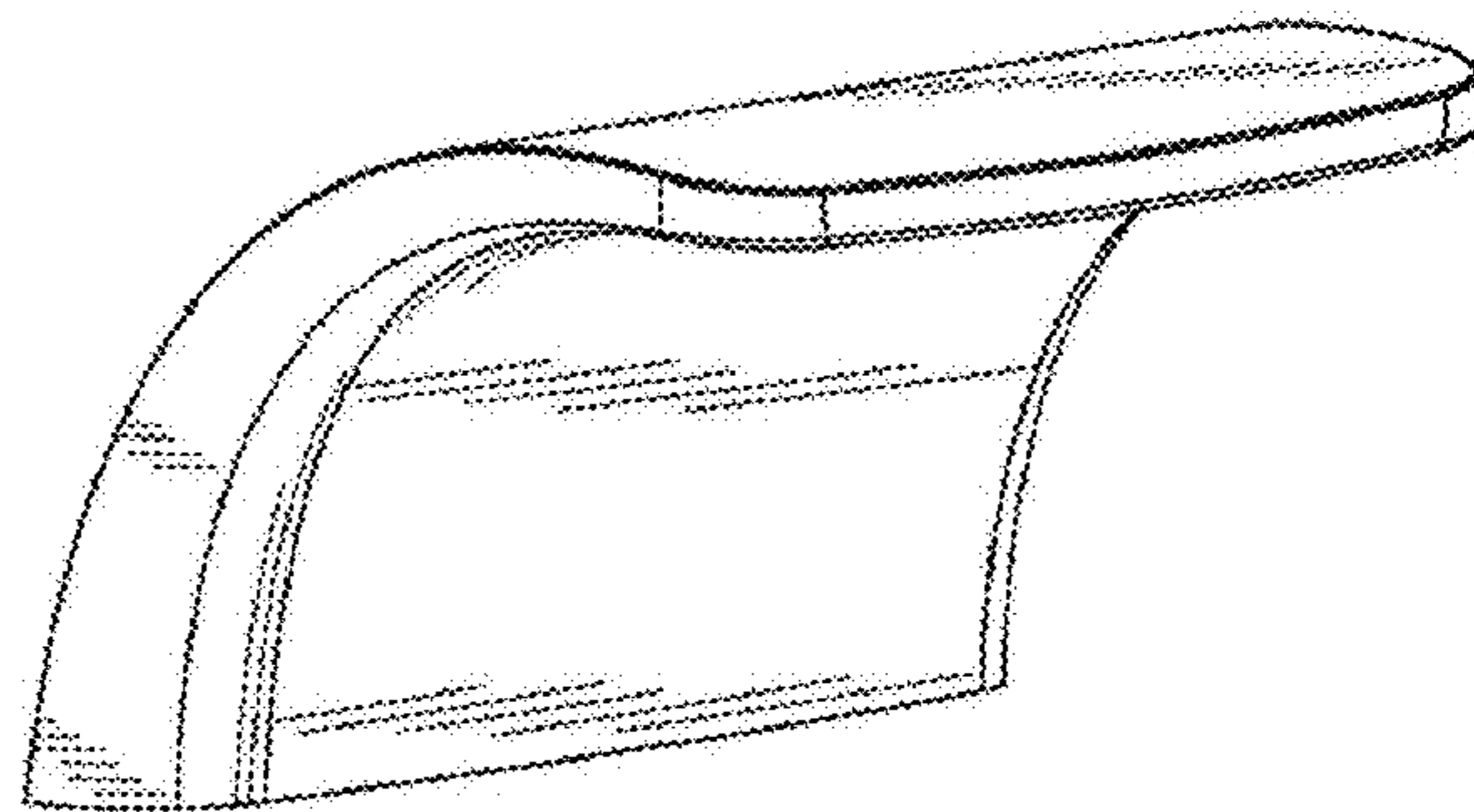
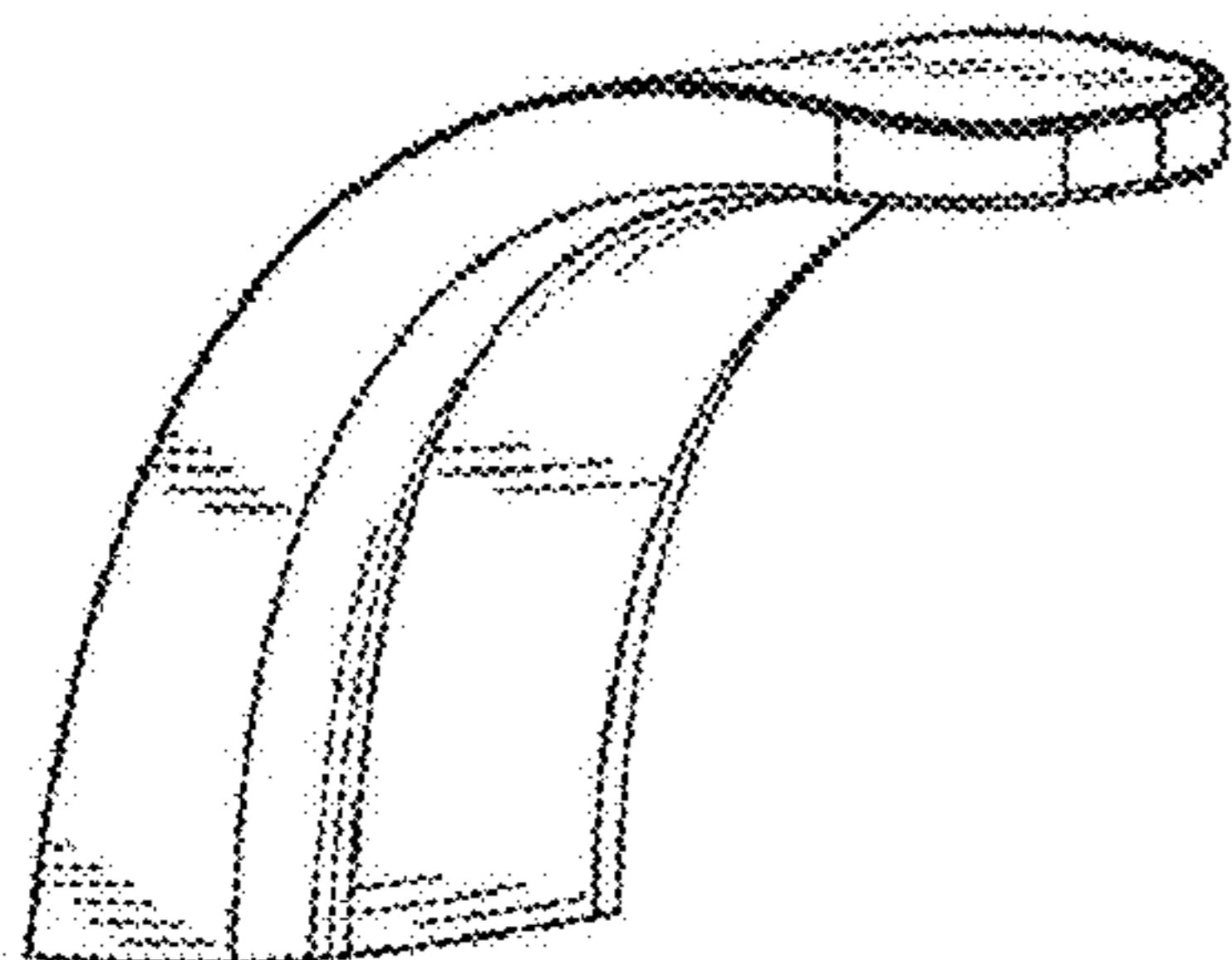
(57) **CLAIM**

The ornamental design for lavatory fixtures, substantially as shown and described.

**DESCRIPTION**

FIG. 1 is a raised perspective view of an embodiment of lavatory fixtures showing a faucet and soap dispenser in one fixture and a hand dryer in the other larger fixture;  
FIG. 2 is a raised perspective view of the embodiment of the lavatory fixtures according to FIG. 1;  
FIG. 3 is a rear view of the embodiment of the lavatory fixtures according to FIG. 1;  
FIG. 4 is a right-side view of the embodiment of the lavatory fixtures according to FIG. 1;  
FIG. 5 is a left-side view of the embodiment of the lavatory fixtures according to FIG. 1;  
FIG. 6 is a front view of the embodiment of the lavatory fixtures according to FIG. 1; and,  
FIG. 7 is a bottom view of the embodiment of the lavatory fixtures according to FIG. 1.  
Any broken lines represent environmental structure and form no part of the claimed design.

**1 Claim, 6 Drawing Sheets**



(56)

**References Cited**

U.S. PATENT DOCUMENTS

D617,422 S *	6/2010	Suzuki .....	D23/238
D622,526 S *	8/2010	Dai .....	D6/542
D634,403 S *	3/2011	Thornton .....	D23/238
D634,404 S *	3/2011	Thornton .....	D23/238
D663,016 S *	7/2012	Figurski .....	D28/54.1
D698,495 S *	1/2014	Lee .....	D28/54.1
D703,380 S *	4/2014	Lee .....	D28/54.1
D708,711 S *	7/2014	Yu .....	D23/238
D710,127 S *	8/2014	Chauhan .....	D6/542
D714,493 S *	9/2014	Liu .....	F26B 25/06
			D28/54.1
2005/0087557 A1 *	4/2005	Oliver .....	A47K 5/1217
			222/251

\* cited by examiner

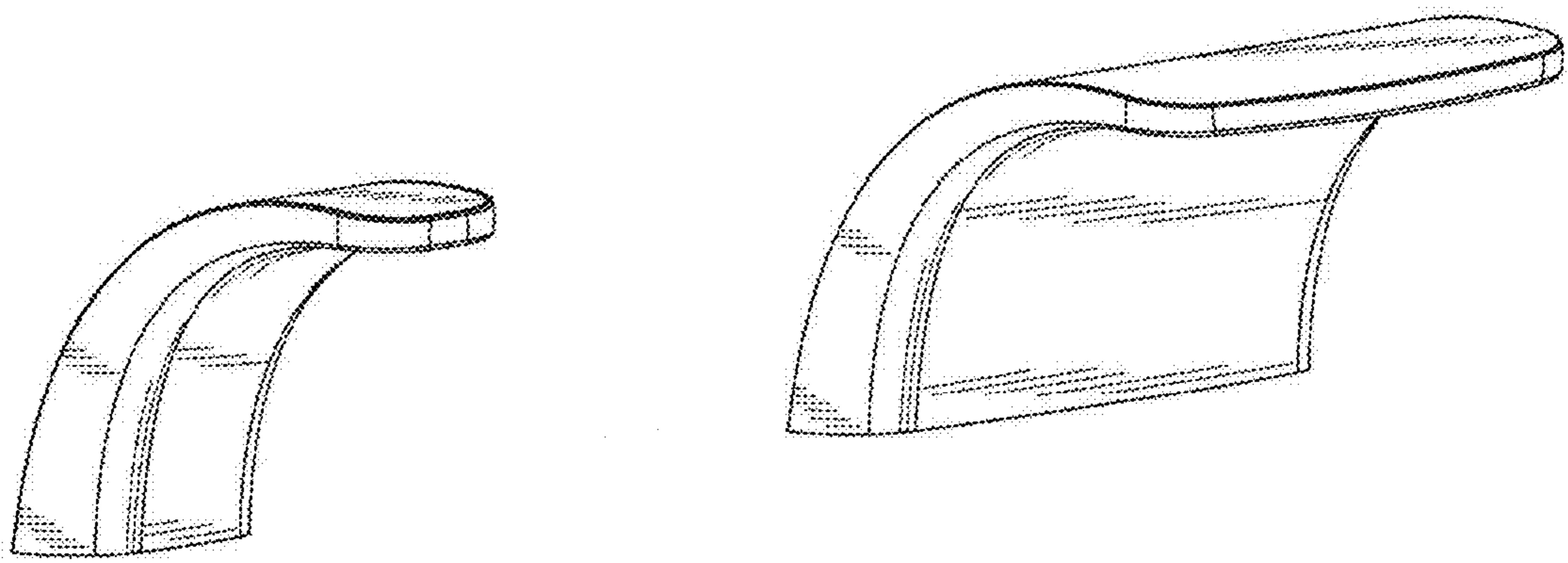


FIG. 1

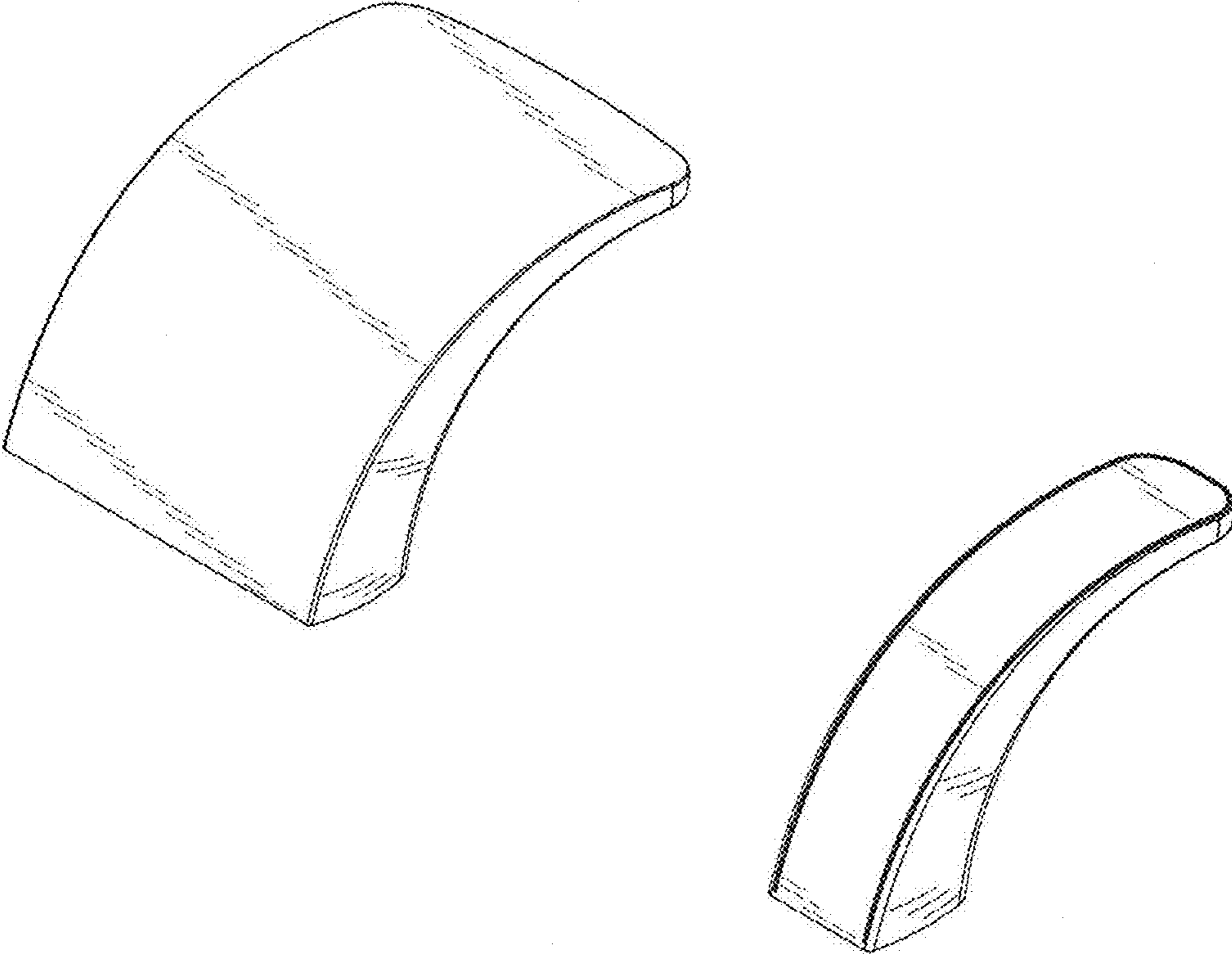


FIG. 2

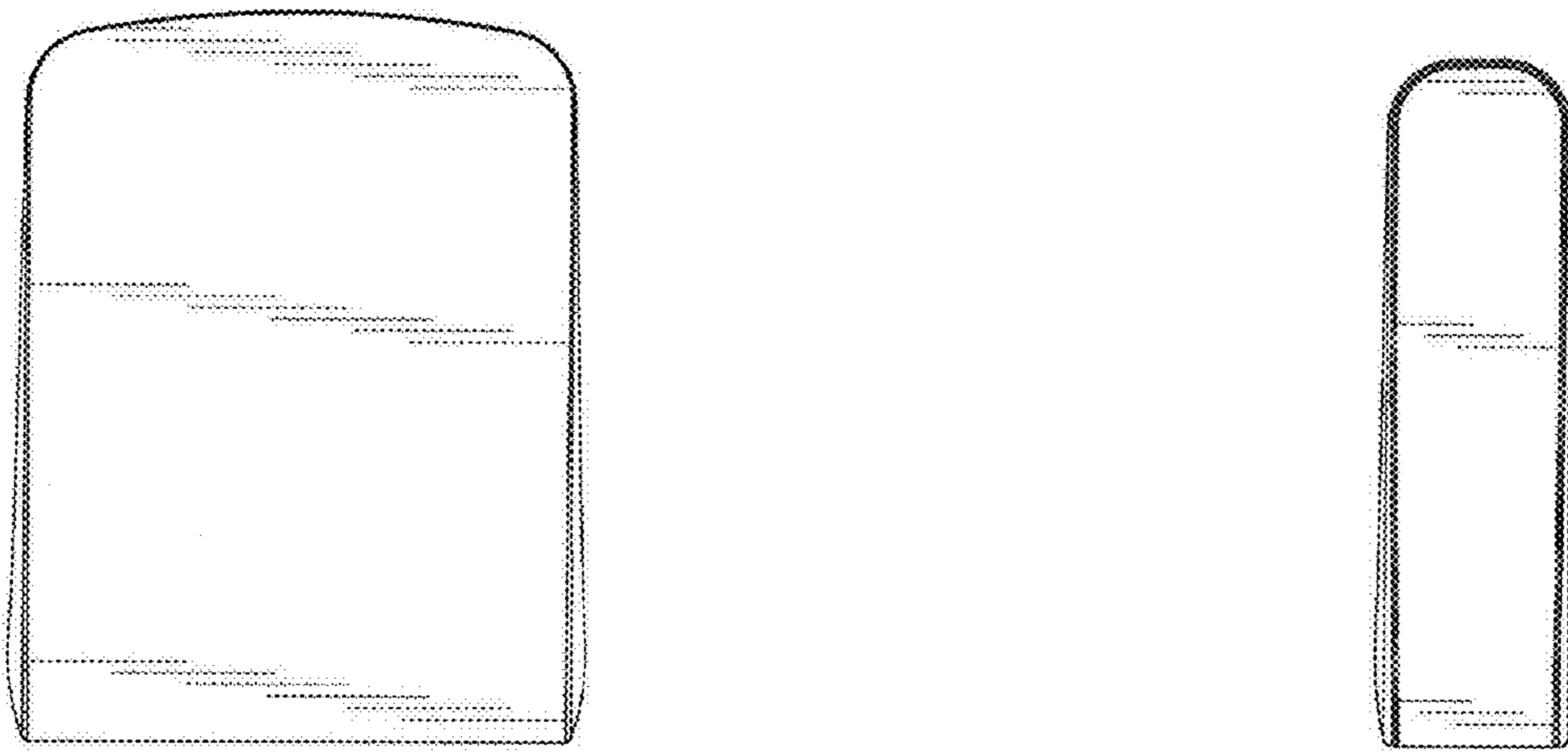


FIG. 3

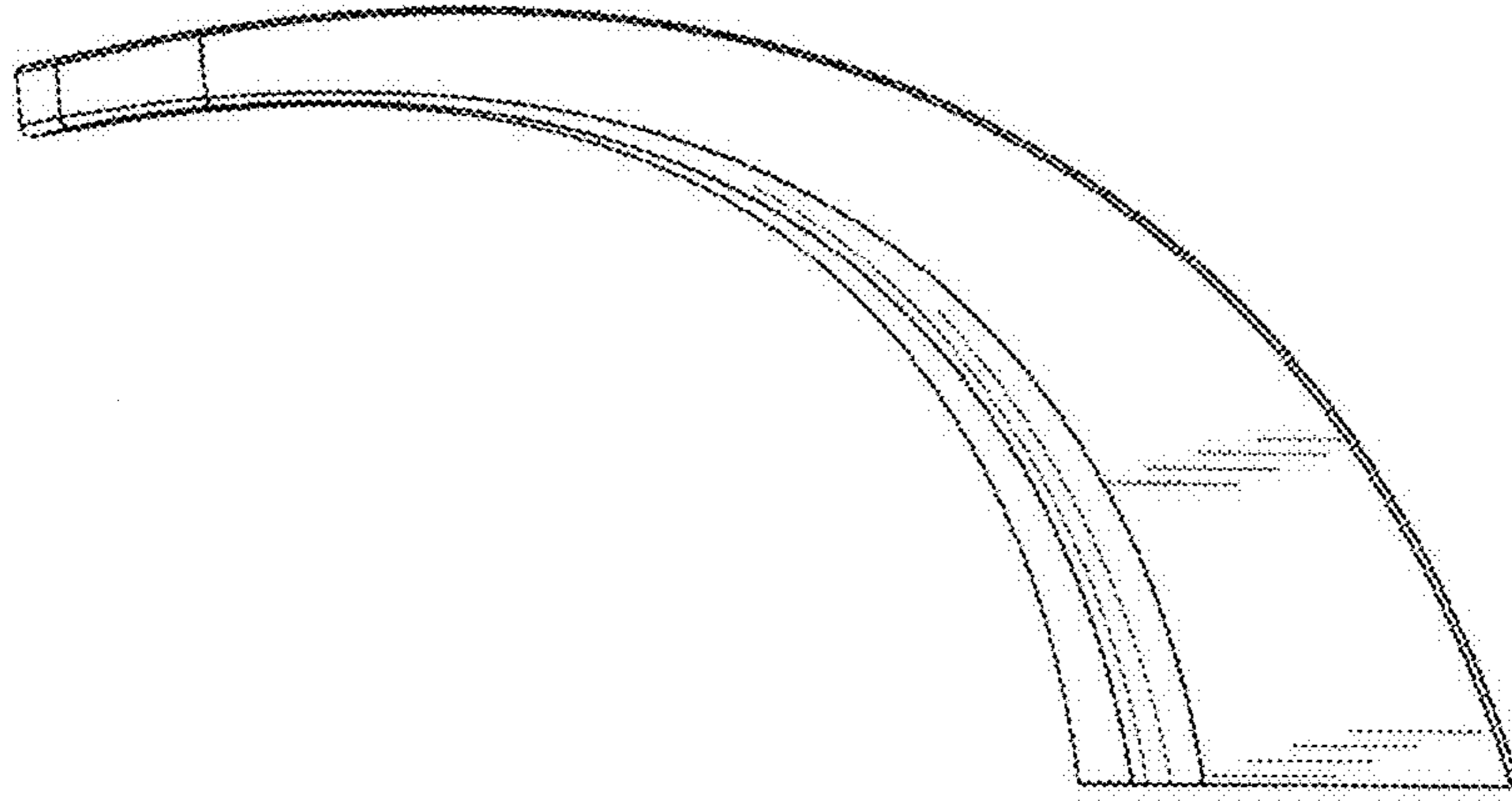


FIG. 4

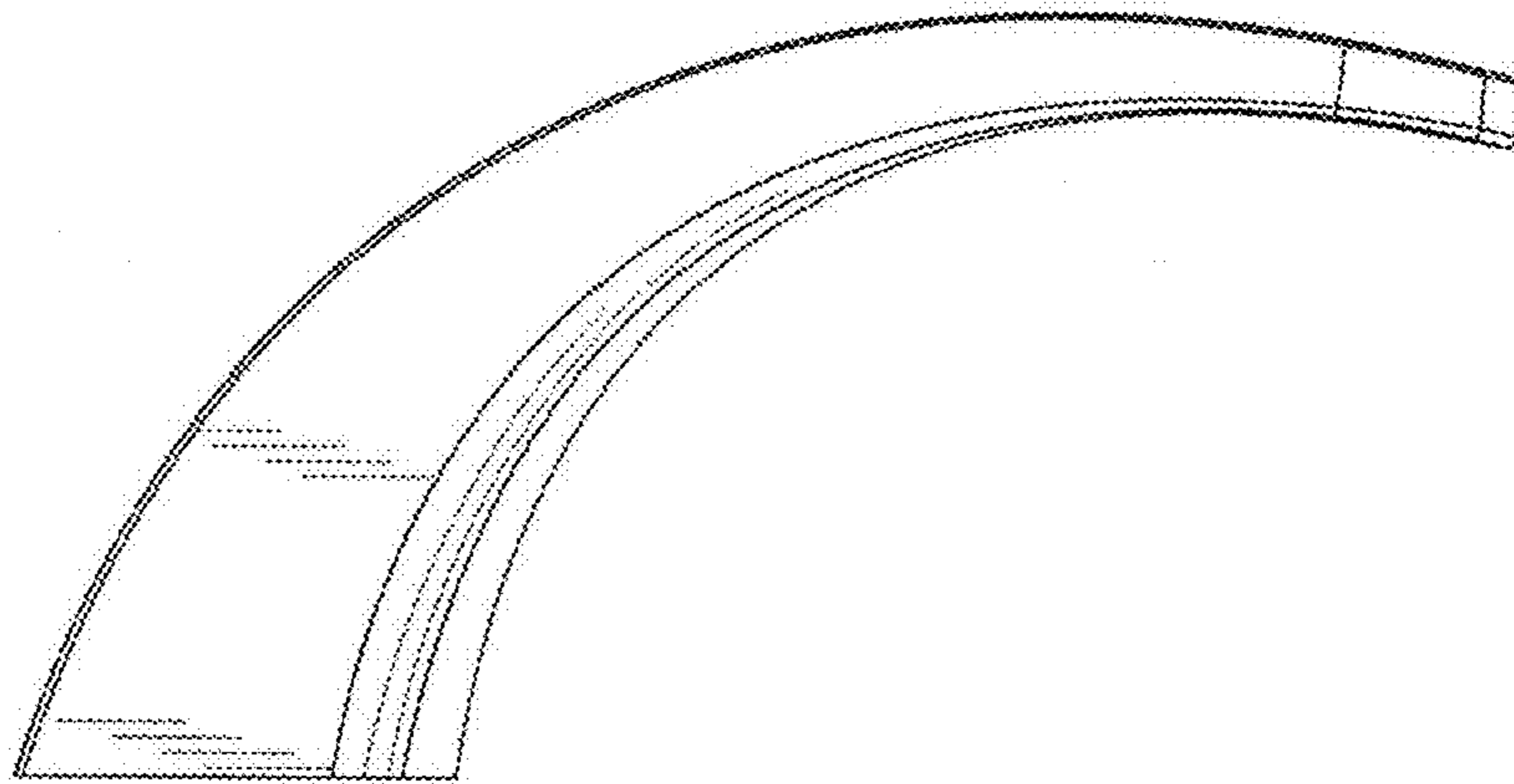


FIG. 5

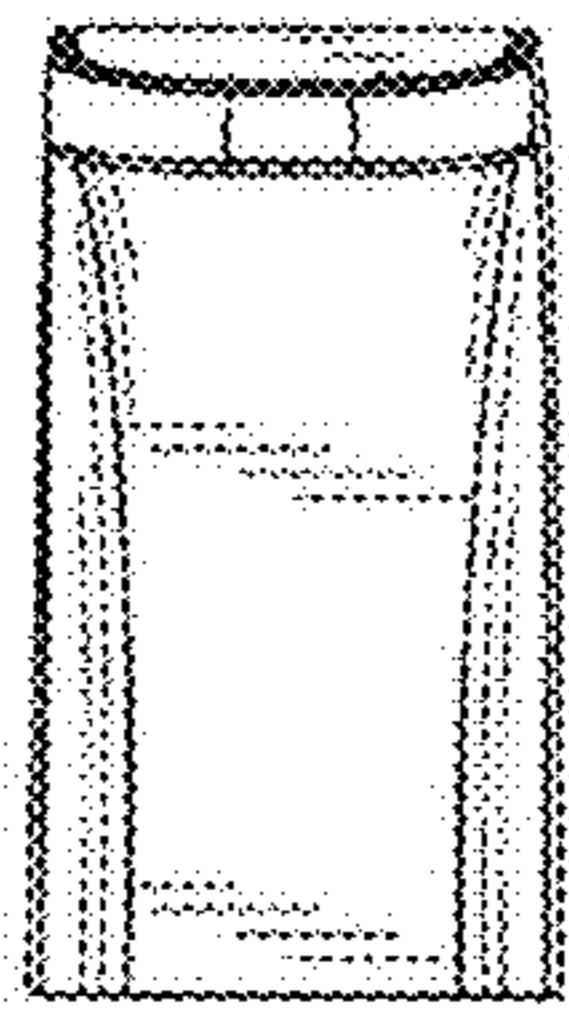


FIG. 6

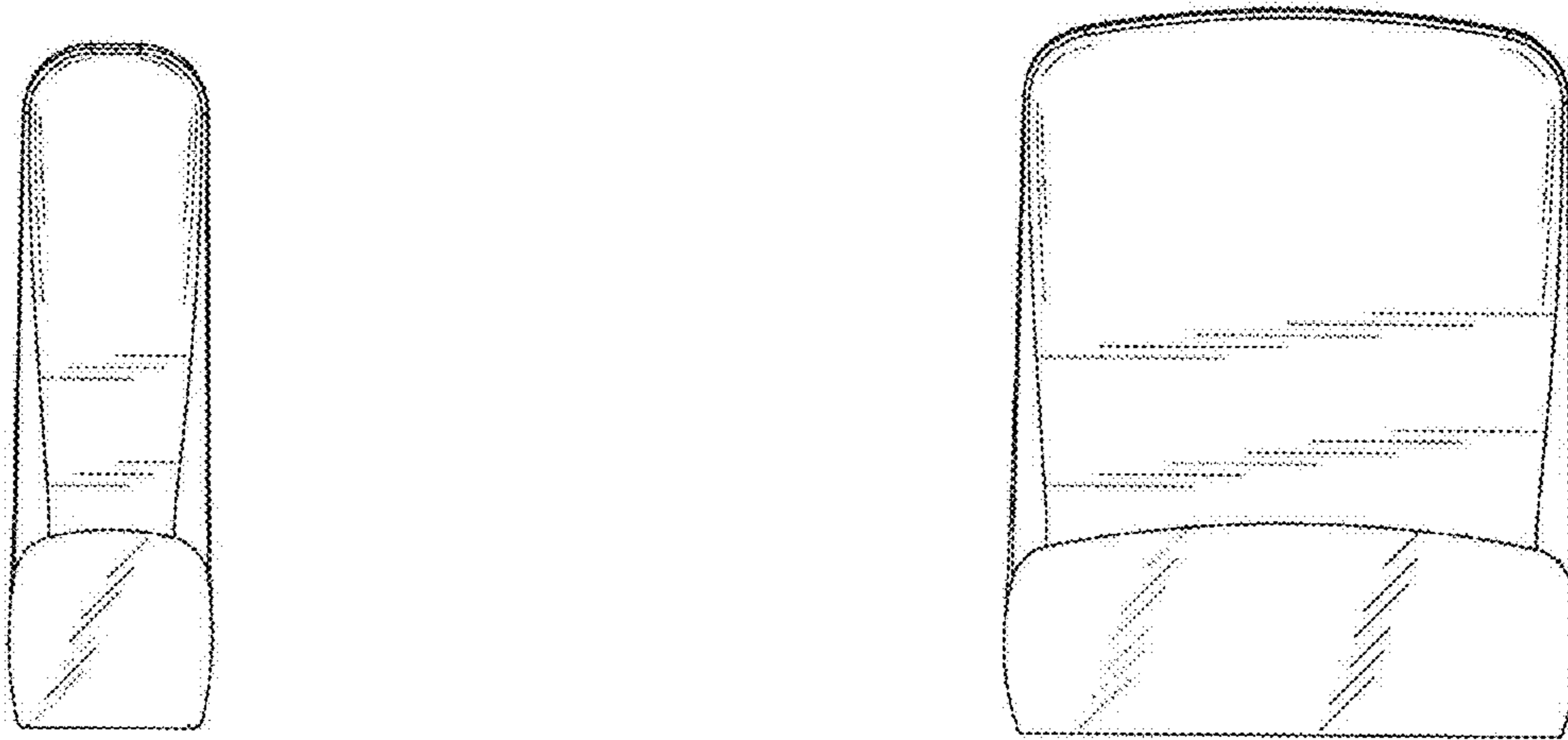


FIG. 7