



US00D785755S

(12) **United States Design Patent**
Pfander et al.

(10) **Patent No.:** **US D785,755 S**

(45) **Date of Patent:** **** May 2, 2017**

(54) **PAINT SPRAY GUN WITH PATTERN**

(71) Applicant: **SATA GmbH & Co. KG,**
Kornwestheim (DE)

(72) Inventors: **Jari Pfander,** Remseck (DE);
Christopher Bihl, Pleidelsheim (DE);
Gabriel Grip, Stuttgart (DE)

(73) Assignee: **SATA GMBH & CO. KG,**
Kornwestheim (DE)

(**) Term: **15 Years**

(21) Appl. No.: **29/556,463**

(22) Filed: **Mar. 1, 2016**

(30) **Foreign Application Priority Data**

Sep. 1, 2015 (EM) 002764134

(51) **LOC (10) Cl.** **23-01**

(52) **U.S. Cl.**
USPC **D23/226**

(58) **Field of Classification Search**
USPC 2/223; D23/200, 208, 209, 225, 226,
D23/207, 213; 219/232, 497; D5/32, 37
CPC .. B05B 1/18; B05B 1/20; B05B 1/205; B01D
17/00; B01D 61/025; B01D 635/30; C02F
1/441; C02F 1/003; A47K 5/06; B67D
7/0205
See application file for complete search history.

(56) **References Cited**

U.S. PATENT DOCUMENTS

D196,477 S * 10/1963 Kelly D5/37
D341,186 S * 11/1993 Albers D23/225
D376,637 S * 12/1996 Kieffer D23/223
D409,719 S * 5/1999 Kaneko D23/226
D457,599 S * 5/2002 Karwoski D23/226

D552,213 S * 10/2007 Schmon D23/226
D579,213 S * 10/2008 Aipa D5/43
D588,231 S * 3/2009 Pellin D23/213
D629,623 S * 12/2010 Lampe A41D 13/01
D5/62
D661,492 S * 6/2012 Ranschau D5/32
D663,960 S * 7/2012 Jeronimo D5/62
D664,773 S * 8/2012 Papin D5/37
D670,085 S * 11/2012 Brookman D5/62
D681,162 S * 4/2013 Kruse D23/226
D690,799 S * 10/2013 Maier D23/226
D697,584 S * 1/2014 Schmon D23/226
D704,300 S * 5/2014 Li D23/225
D720,041 S * 12/2014 Robinson D23/226
D745,636 S * 12/2015 Lin D23/226
D768,820 S * 10/2016 Binz D23/226
D770,593 S * 11/2016 Gehrung D23/226

(Continued)

Primary Examiner — Robin V Webster

Assistant Examiner — Rachel Voorhies

(74) *Attorney, Agent, or Firm* — Paul D. Bianco; Lourdes Perez; Fleit Gibbons Gutman Bongini & Bianco PL

(57) **CLAIM**

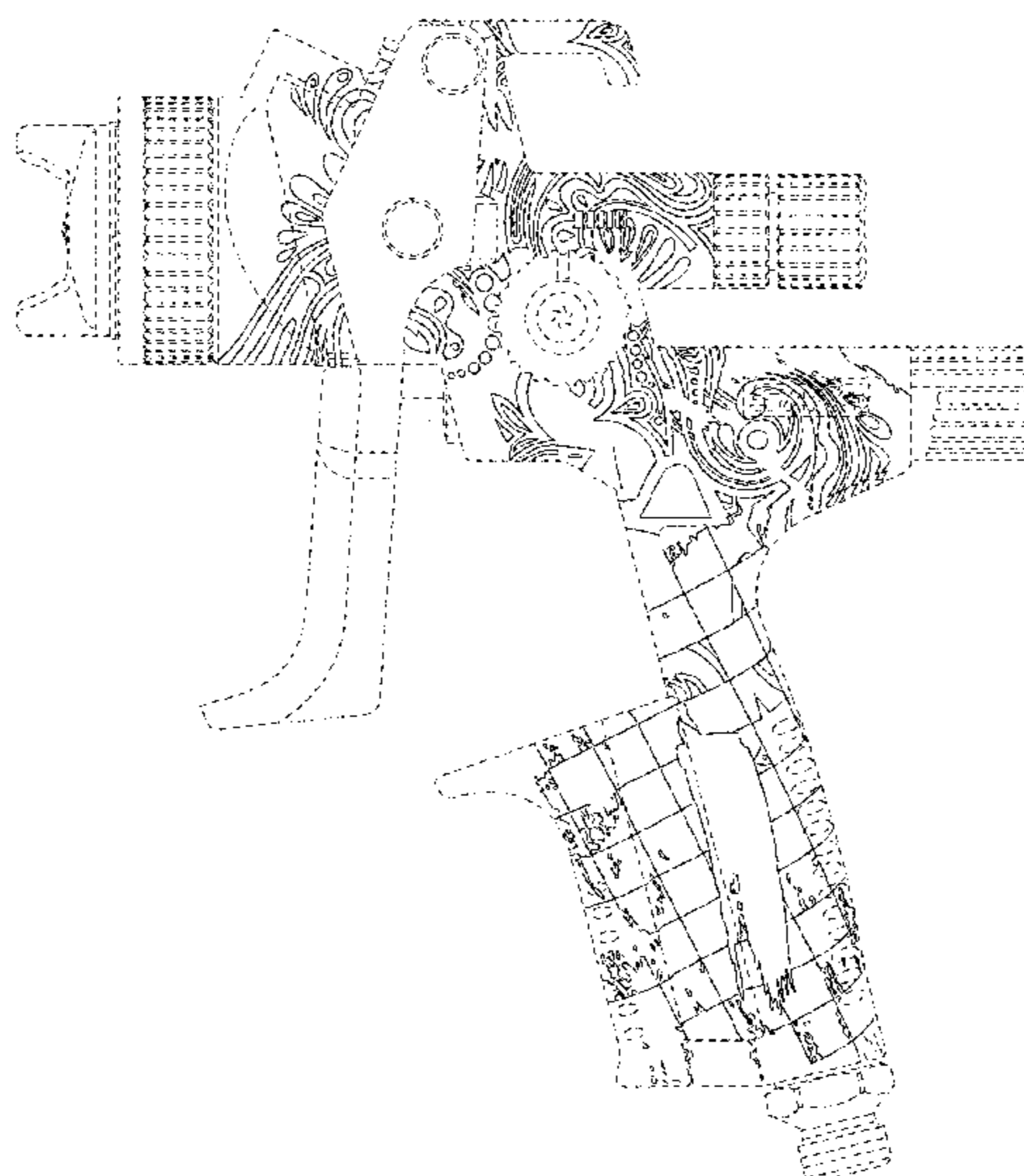
The ornamental design for a paint spray gun with pattern, as shown and described.

DESCRIPTION

FIG. 1 is a first side view of a paint spray gun with pattern according to the present invention;
FIG. 2 is a second side view of the paint spray gun with pattern of FIG. 1;
FIG. 3 is a front view of the paint spray gun with pattern of FIG. 1;
FIG. 4 is a back view of the paint spray gun with pattern of FIG. 1; and,
FIG. 5 is a perspective view of the paint spray gun with pattern of FIG. 1.

The broken lines in the drawing illustrate portions of the paint spray gun which form no part of the claimed design.

1 Claim, 4 Drawing Sheets



(56)

References Cited

U.S. PATENT DOCUMENTS

2012/0187220 A1* 7/2012 Micheli B05B 7/067
239/461
2015/0231655 A1* 8/2015 Adams B05B 9/01
427/421.1

* cited by examiner

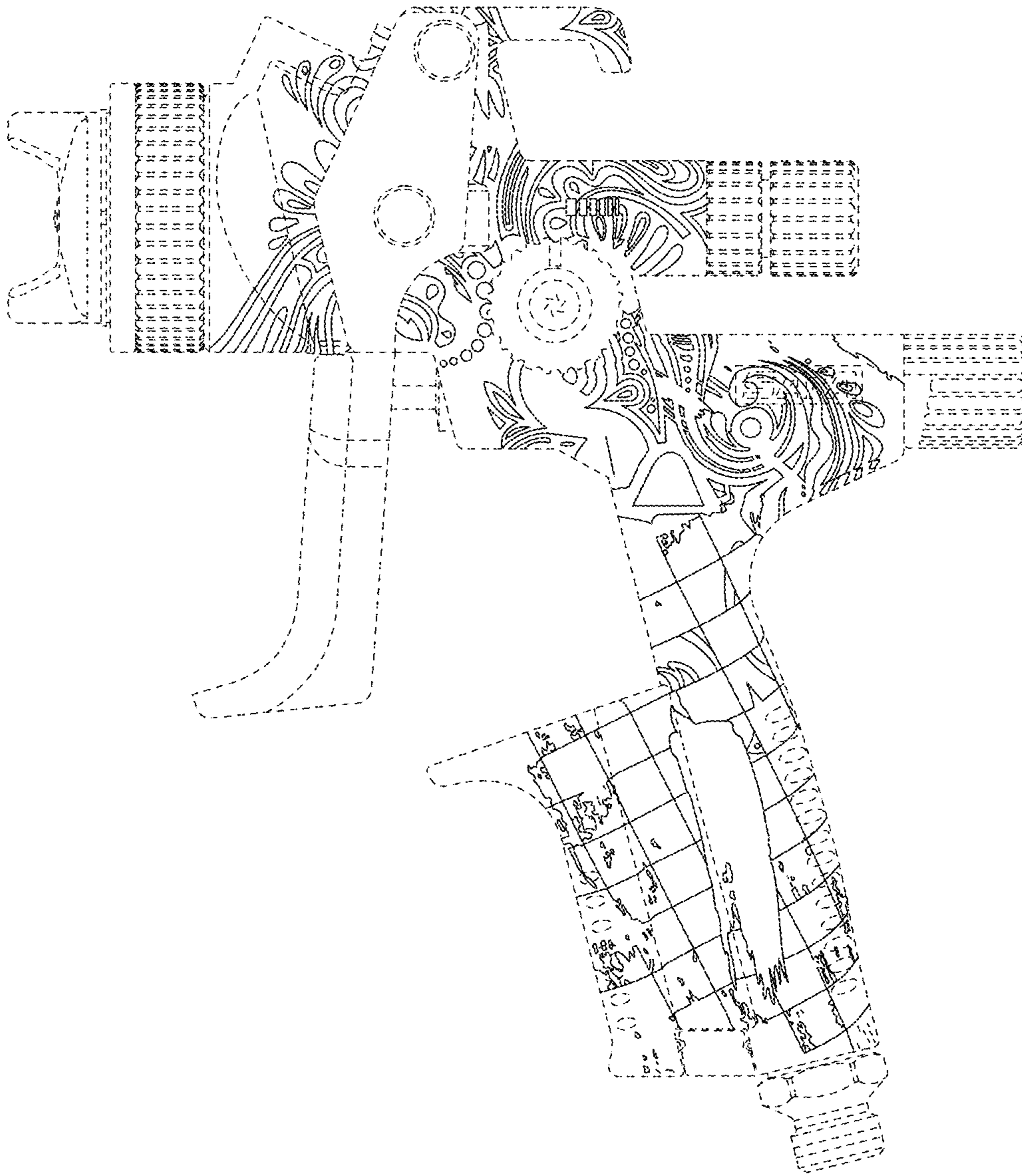


FIG. 1

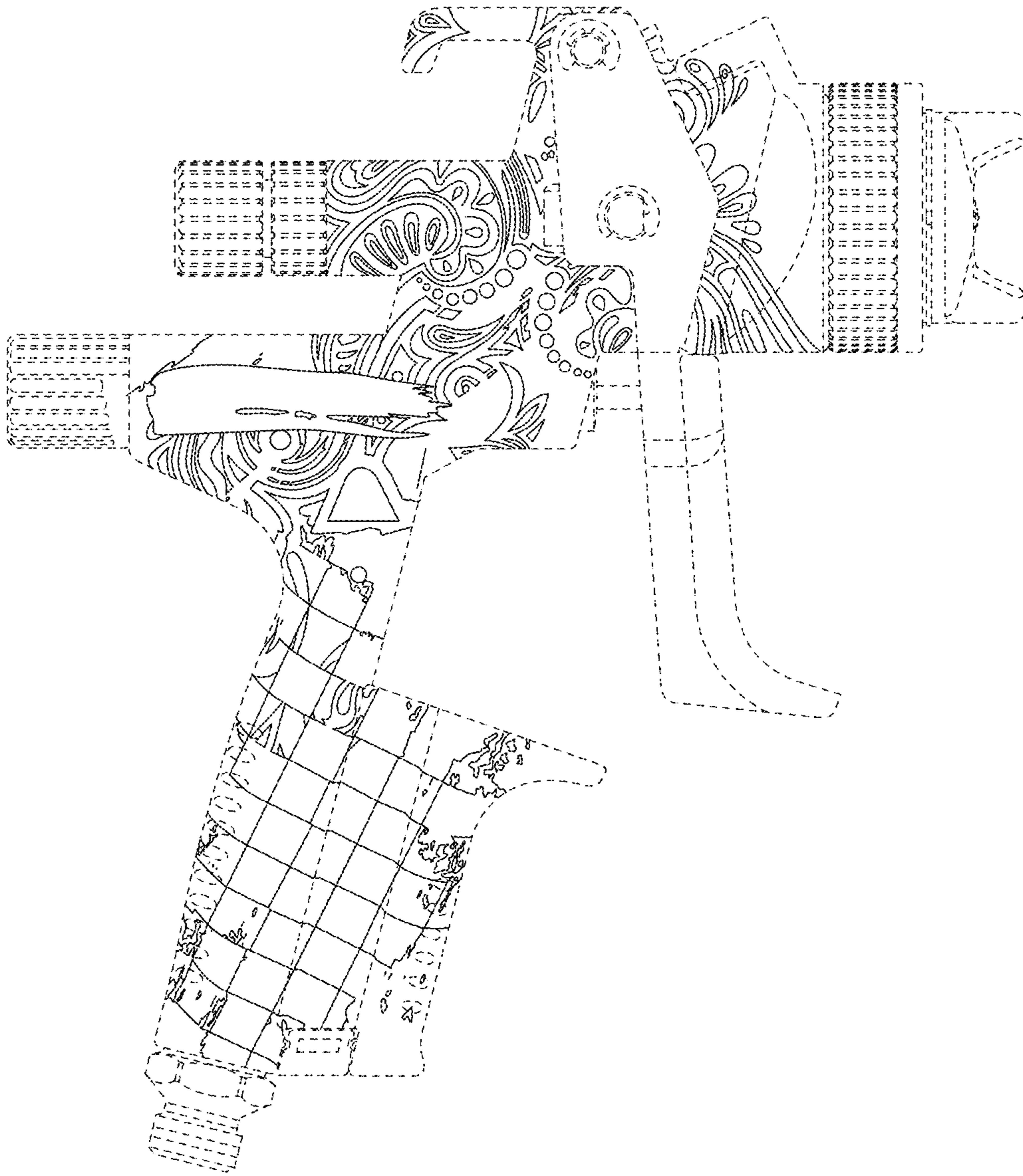


FIG. 2

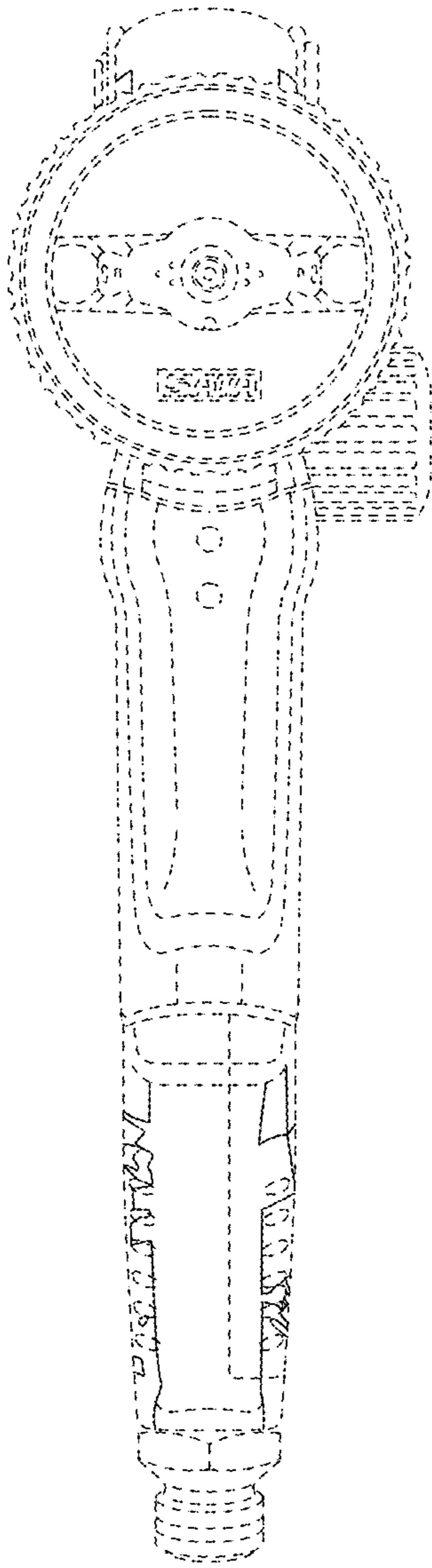


FIG. 3

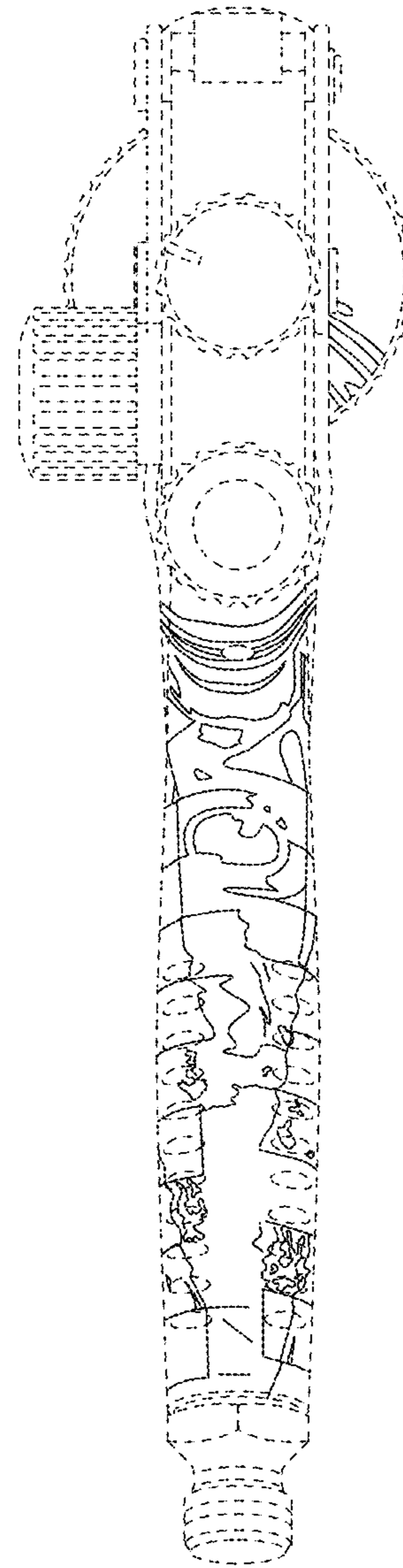


FIG. 4

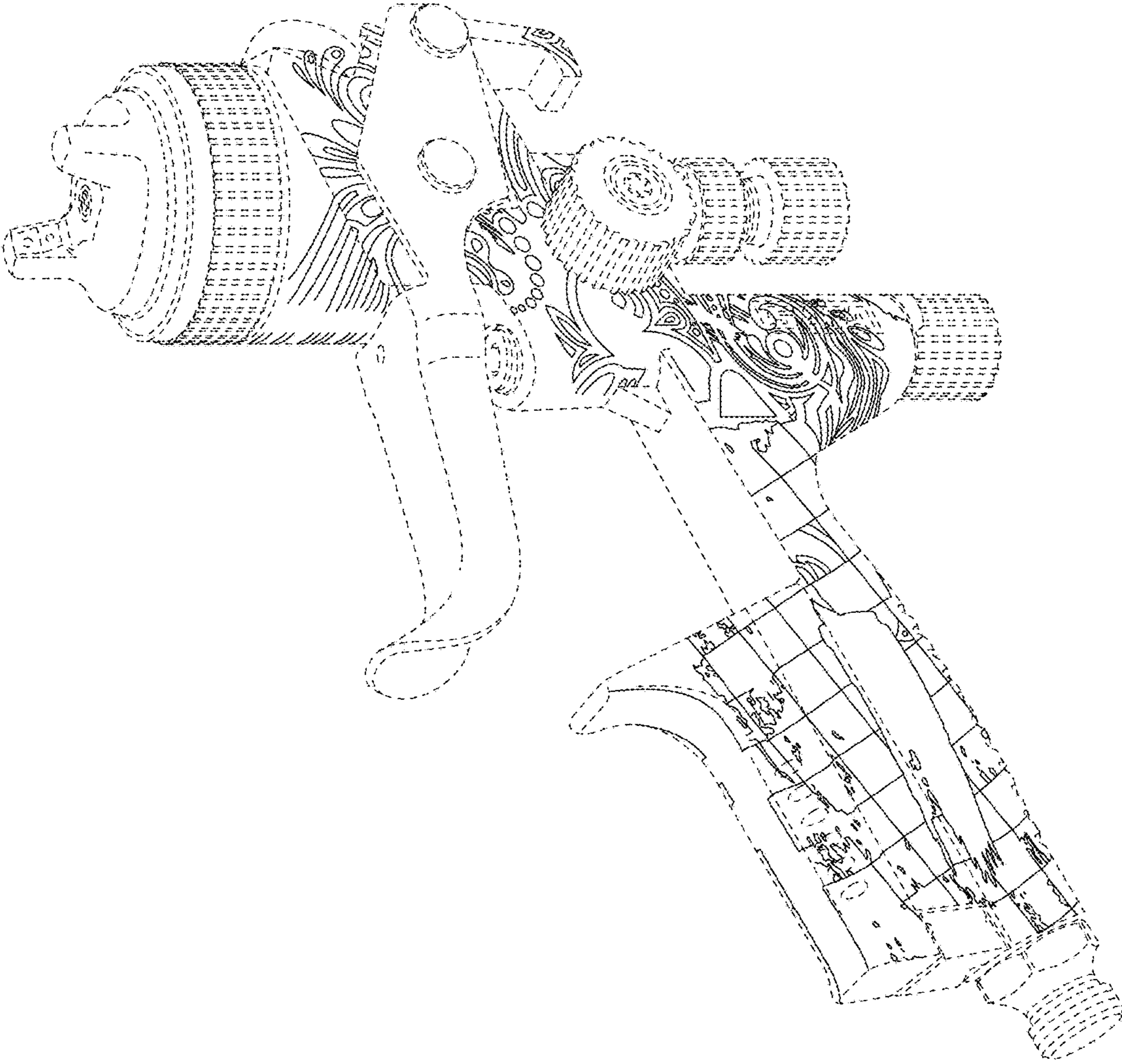


FIG. 5