



US00D785754S

(12) **United States Design Patent** (10) **Patent No.:** **US D785,754 S**
Pfander et al. (45) **Date of Patent:** **** May 2, 2017**

(54) **PAINT SPRAY GUN WITH PATTERN**

(71) Applicant: **SATA GmbH & Co. KG**,
Kornwestheim (DE)

(72) Inventors: **Jari Pfander**, Remseck (DE);
Christopher Bihr, Pleidelsheim (DE)

(73) Assignee: **SATA GmbH & Co. KG**,
Kornwestheim (DE)

(**) Term: **15 Years**

(21) Appl. No.: **29/555,656**

(22) Filed: **Feb. 24, 2016**

(30) **Foreign Application Priority Data**

Aug. 24, 2015 (EM) 002759498

(51) **LOC (10) Cl.** **23-01**

(52) **U.S. Cl.**
USPC **D23/226**

(58) **Field of Classification Search**
 USPC 2/223; D23/200, 208, 209, 225, 226,
 D23/207, 213; 219/232, 497; D5/32, 37,
 D5/15, 29, 64
 CPC .. B05B 1/18; B05B 1/20; B05B 1/205; B01D
 17/00; B01D 61/025; B01D 63/30; C02F
 1/441; C02F 1/003; A47K 5/06; B67D
 7/0205

See application file for complete search history.

(56) **References Cited**

U.S. PATENT DOCUMENTS

D341,186 S * 11/1993 Albers D23/225
 D376,637 S * 12/1996 Kieffer D23/223
 D409,719 S * 5/1999 Kaneko D23/226
 D457,599 S * 5/2002 Karwoski D23/226

D552,213 S * 10/2007 Schmon D23/226
 D588,231 S * 3/2009 Pellin D23/213
 D681,162 S * 4/2013 Kruse D23/226
 D690,799 S * 10/2013 Maier D23/226
 D697,584 S * 1/2014 Schmon D23/226
 D704,300 S * 5/2014 Li D23/225
 D720,041 S * 12/2014 Robinson D23/226
 D745,636 S * 12/2015 Lin D23/226
 D768,820 S * 10/2016 Binz D23/226
 D770,593 S * 11/2016 Gehrung D23/226
 2012/0187220 A1* 7/2012 Micheli B05B 7/067
 239/461
 2015/0231655 A1* 8/2015 Adams B05B 9/01
 427/421.1

* cited by examiner

Primary Examiner — Robin V Webster

Assistant Examiner — Rachel Voorhies

(74) *Attorney, Agent, or Firm* — Paul D. Bianco; Lourdes Perez; Fleit Gibbons Gutman Bongini & Bianco PL

(57) **CLAIM**

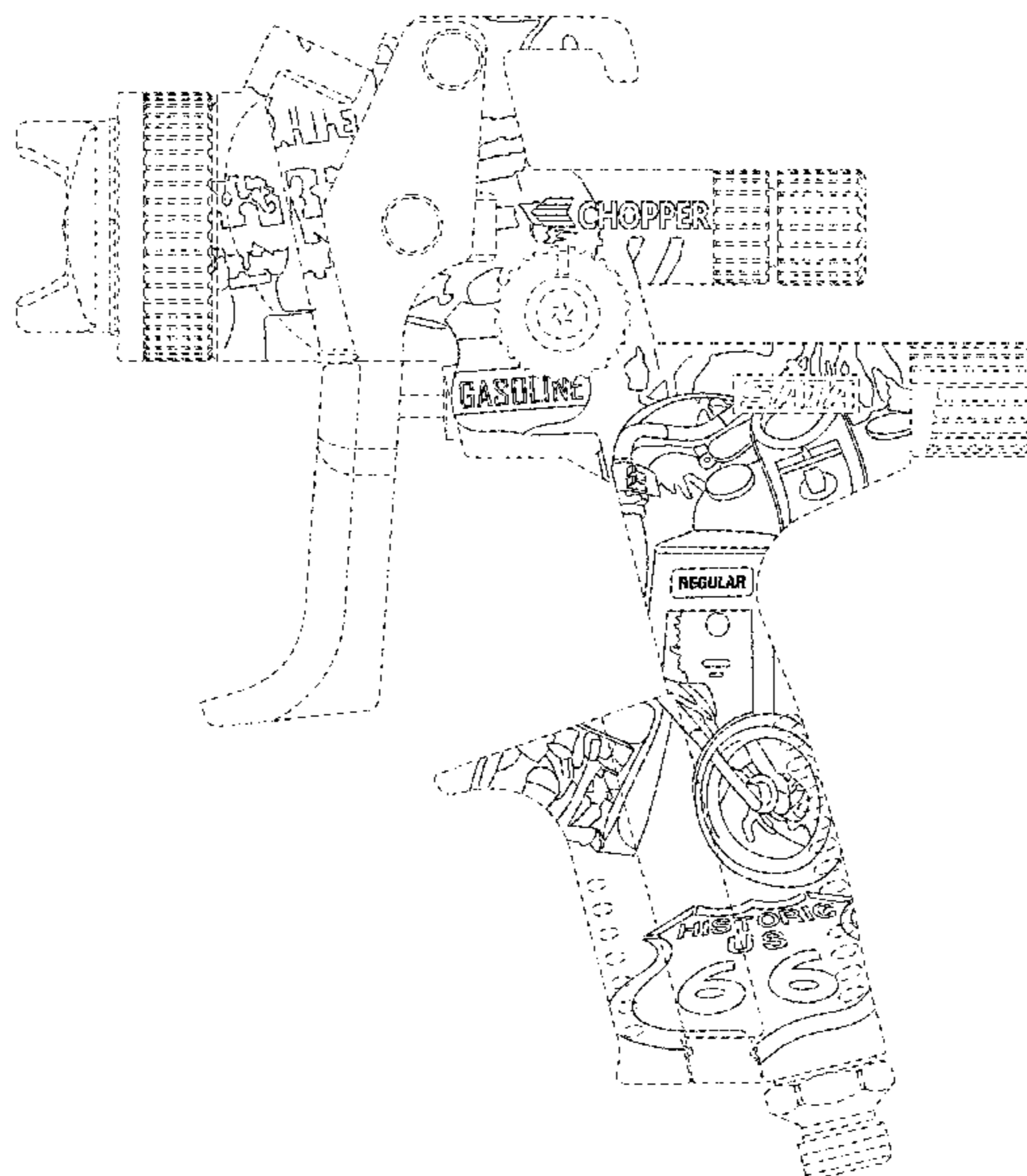
The ornamental design for a paint spray gun with pattern, as shown and described.

DESCRIPTION

FIG. 1 is a first side view of a paint spray gun with pattern according to the present invention;
 FIG. 2 is a second side view of the paint spray gun with pattern of FIG. 1;
 FIG. 3 is a front view of the paint spray gun with pattern of FIG. 1;
 FIG. 4 is a back view of the paint spray gun with pattern of FIG. 1; and,
 FIG. 5 is a perspective view of the paint spray gun with pattern of FIG. 1.

The broken lines in the drawing illustrate portions of the paint spray gun which form no part of the claimed design.

1 Claim, 4 Drawing Sheets



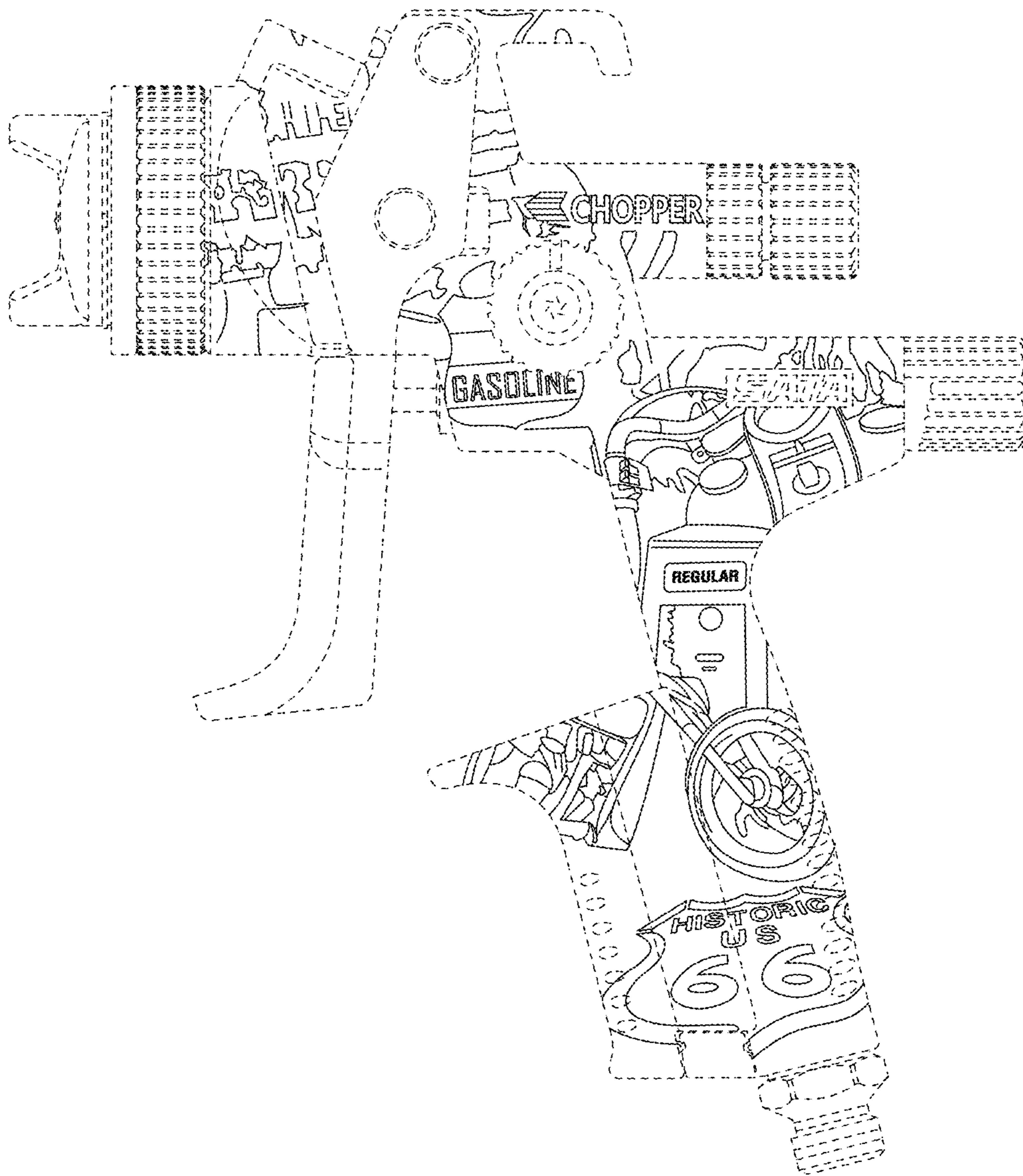


FIG. 1

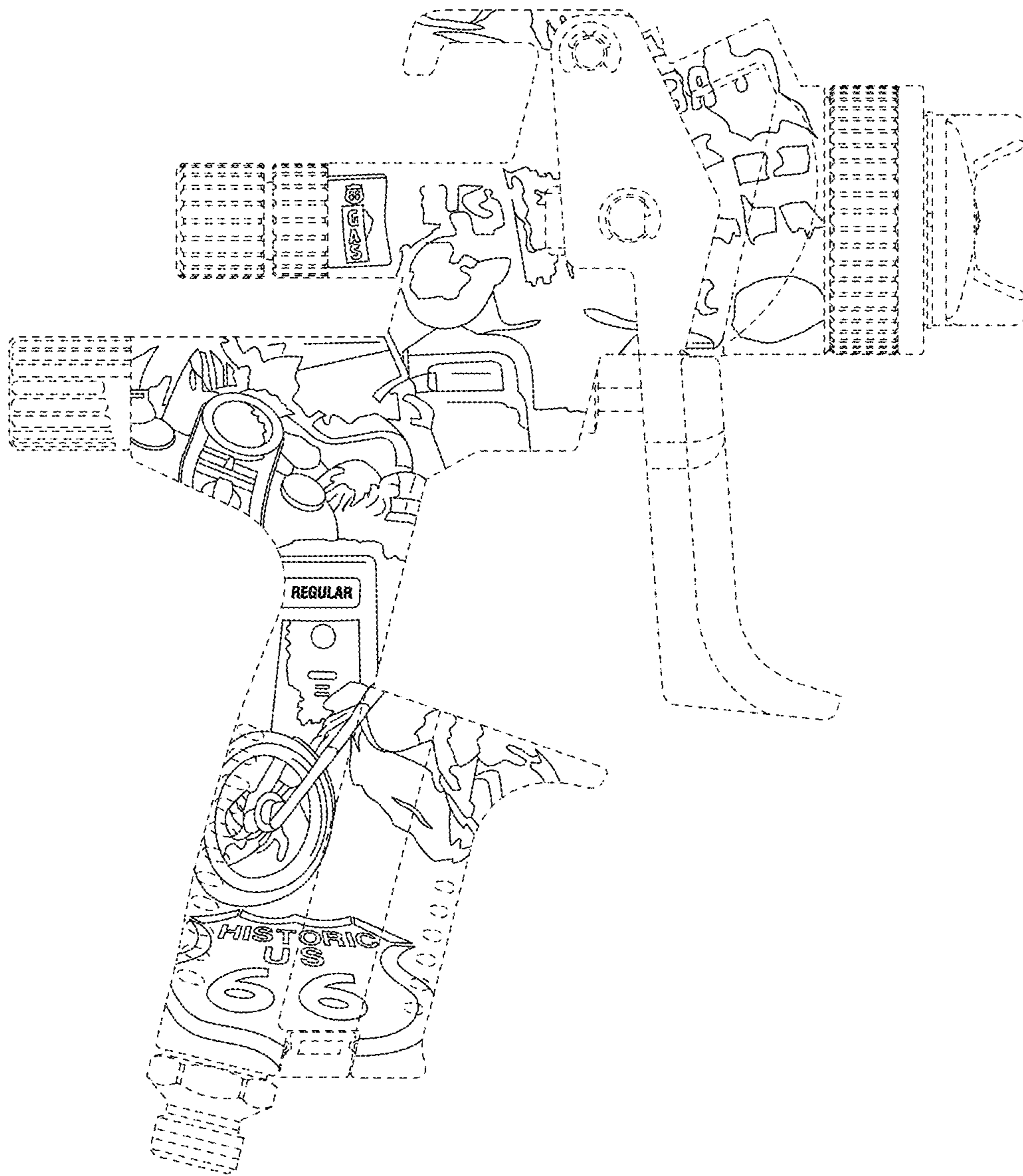


FIG. 2

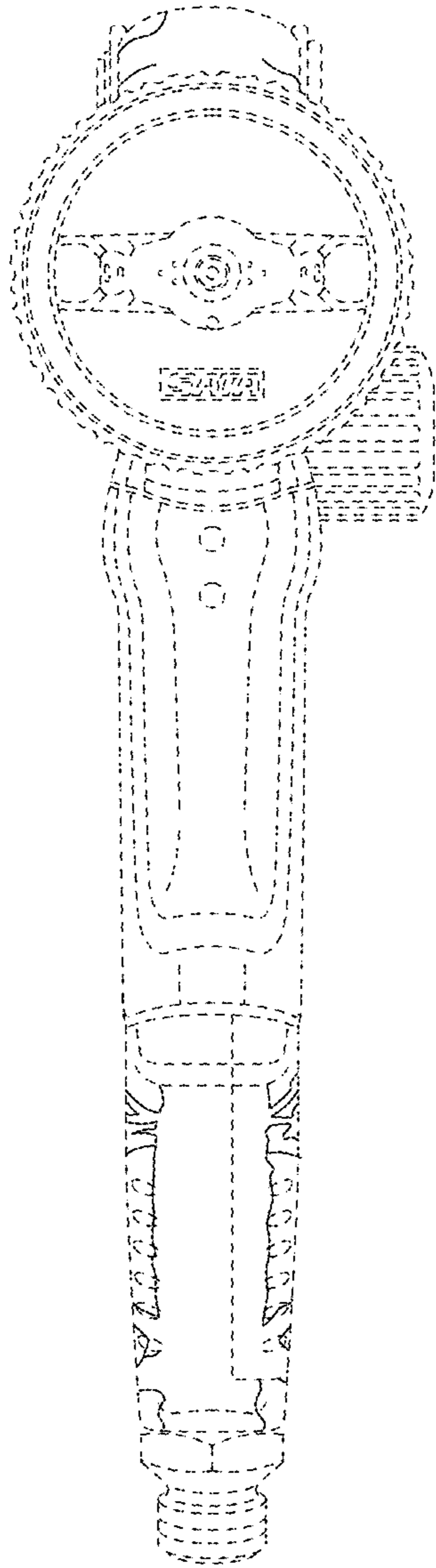


FIG. 3

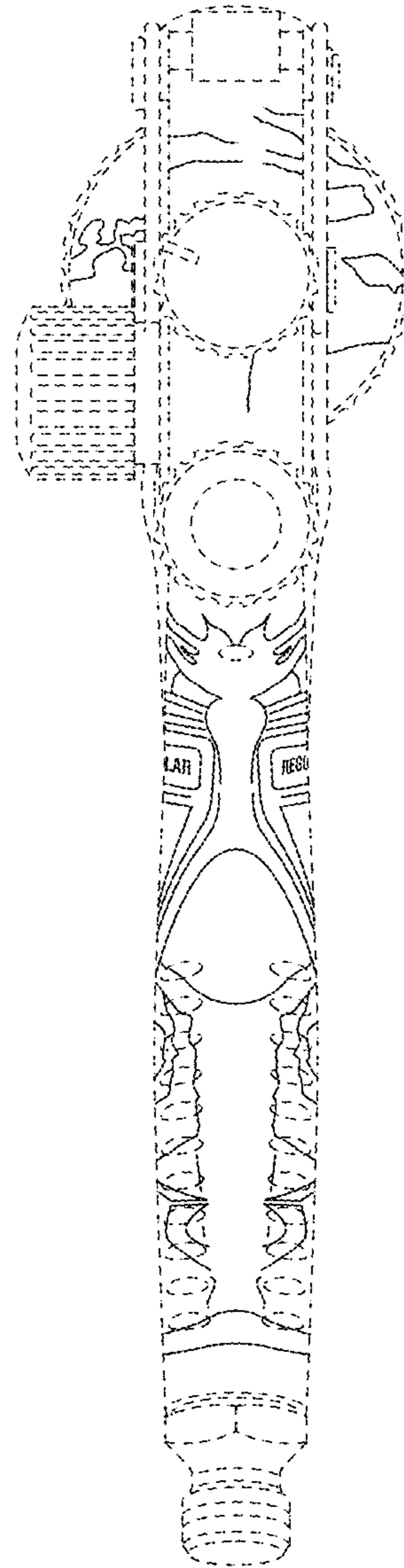


FIG. 4

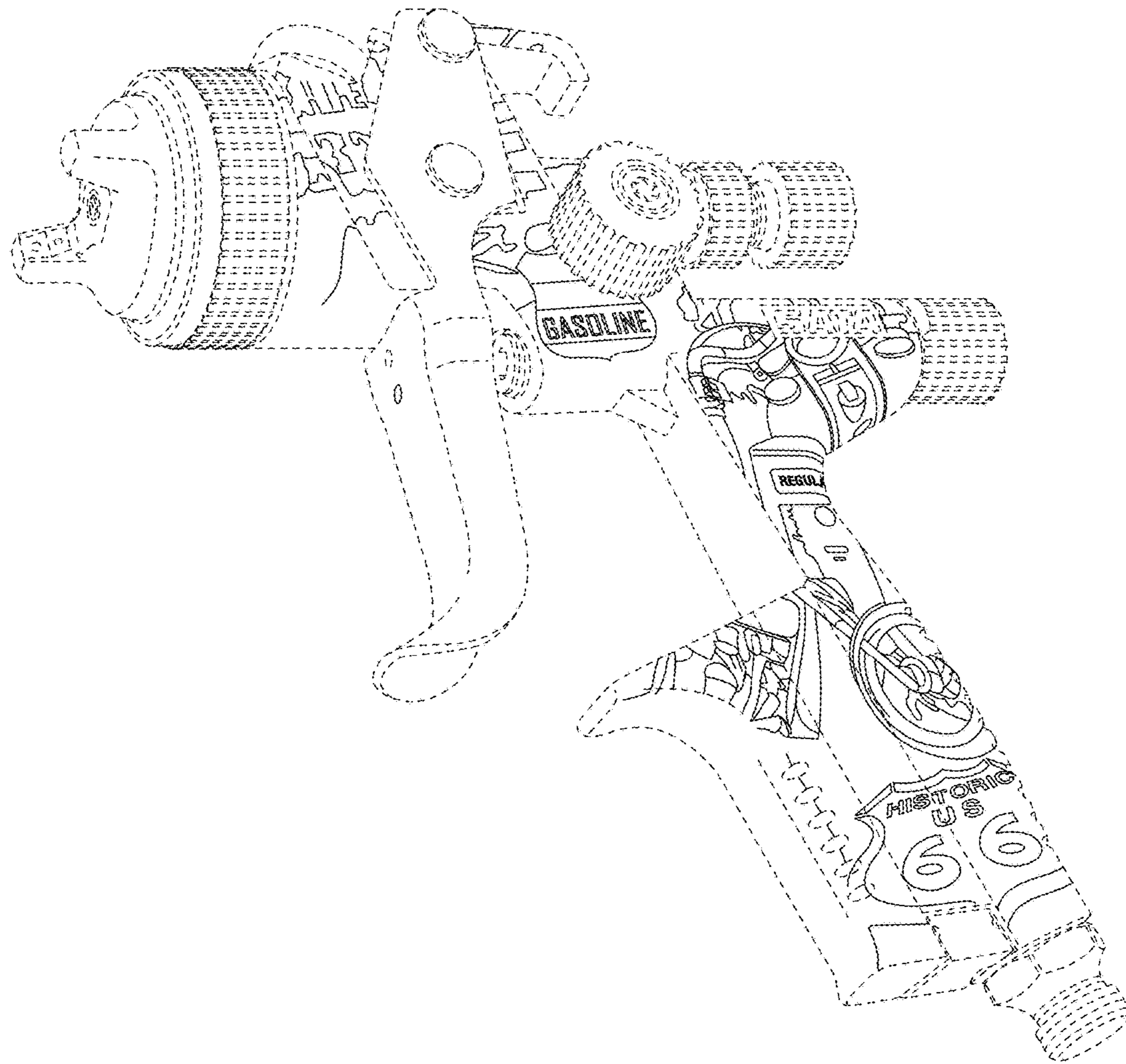


FIG. 5