



US00D785753S

(12) **United States Design Patent**
Aoyagi et al.

(10) **Patent No.:** **US D785,753 S**

(45) **Date of Patent:** **** May 2, 2017**

(54) **SHOWER HEAD**

(71) Applicant: **TORAY INDUSTRIES, INC.**,
Chuo-ku, Tokyo (JP)

(72) Inventors: **Keisuke Aoyagi**, Tokyo (JP); **Yukiko Ichinose**, Tokyo (JP); **Maki Hirakawa**, Kamakura (JP)

(73) Assignee: **TORAY INDUSTRIES, INC.**, Tokyo (JP)

(**) Term: **15 Years**

(21) Appl. No.: **29/547,150**

(22) Filed: **Dec. 1, 2015**

(30) **Foreign Application Priority Data**

Jun. 2, 2015 (JP) 2015-012218

(51) **LOC (10) Cl.** **23-01**

(52) **U.S. Cl.**
USPC **D23/223**

(58) **Field of Classification Search**
USPC D23/223, 200, 208, 209, 225, 226, 207, D23/213; 219/232, 497; D5/32, 37
CPC .. B05B 1/18; B05B 1/20; B05B 1/205; B01D 17/00; B01D 61/025; B01D 63/30; C02F 1/441; C02F 1/003; A47K 5/06; B67D 7/0205

See application file for complete search history.

(56) **References Cited**

U.S. PATENT DOCUMENTS

D477,861 S * 7/2003 Lord D23/223
D506,243 S * 6/2005 Wu D23/223
D516,671 S * 3/2006 Wu D23/223
D519,187 S * 4/2006 Tse D23/213
D578,607 S * 10/2008 Wu D23/223

D581,484 S * 11/2008 Schoenherr D23/223
D610,651 S * 2/2010 Wu D23/223
D639,909 S * 6/2011 Pendleton D23/226
D655,381 S * 3/2012 Flowers D23/223
D655,382 S * 3/2012 Flowers D23/223
D655,783 S * 3/2012 Schoenherr D23/223
D659,796 S * 5/2012 Farley D23/223
D667,928 S * 9/2012 Cutler D23/223
D667,929 S * 9/2012 Cutler D23/223
D672,433 S * 12/2012 Yoo D23/223
D681,776 S * 5/2013 Cutler D23/223
D697,177 S * 1/2014 Schoenherr D23/223
D707,330 S * 6/2014 Schoenherr D23/223
D707,331 S * 6/2014 Schoenherr D23/223
D713,004 S * 9/2014 Schoenherr D23/223
D714,421 S * 9/2014 Flowers D23/223
D722,133 S * 2/2015 Yu D23/223
D733,258 S * 6/2015 Sandee D23/223
D737,929 S * 9/2015 Rexach D23/223
D737,930 S * 9/2015 Rexach D23/223
D737,931 S * 9/2015 Schoenherr D23/223
D744,065 S * 11/2015 Peterson D23/223
D744,611 S * 12/2015 Quinn D23/223
D744,612 S * 12/2015 Peterson D23/223

(Continued)

Primary Examiner — Robin V Webster

Assistant Examiner — Rachel Voorhies

(74) *Attorney, Agent, or Firm* — Holtz, Holtz & Volek PC

(57) **CLAIM**

The ornamental design for a shower head, as shown.

DESCRIPTION

FIG. 1 is a front view of a shower head showing our new design;

FIG. 2 is a rear view thereof;

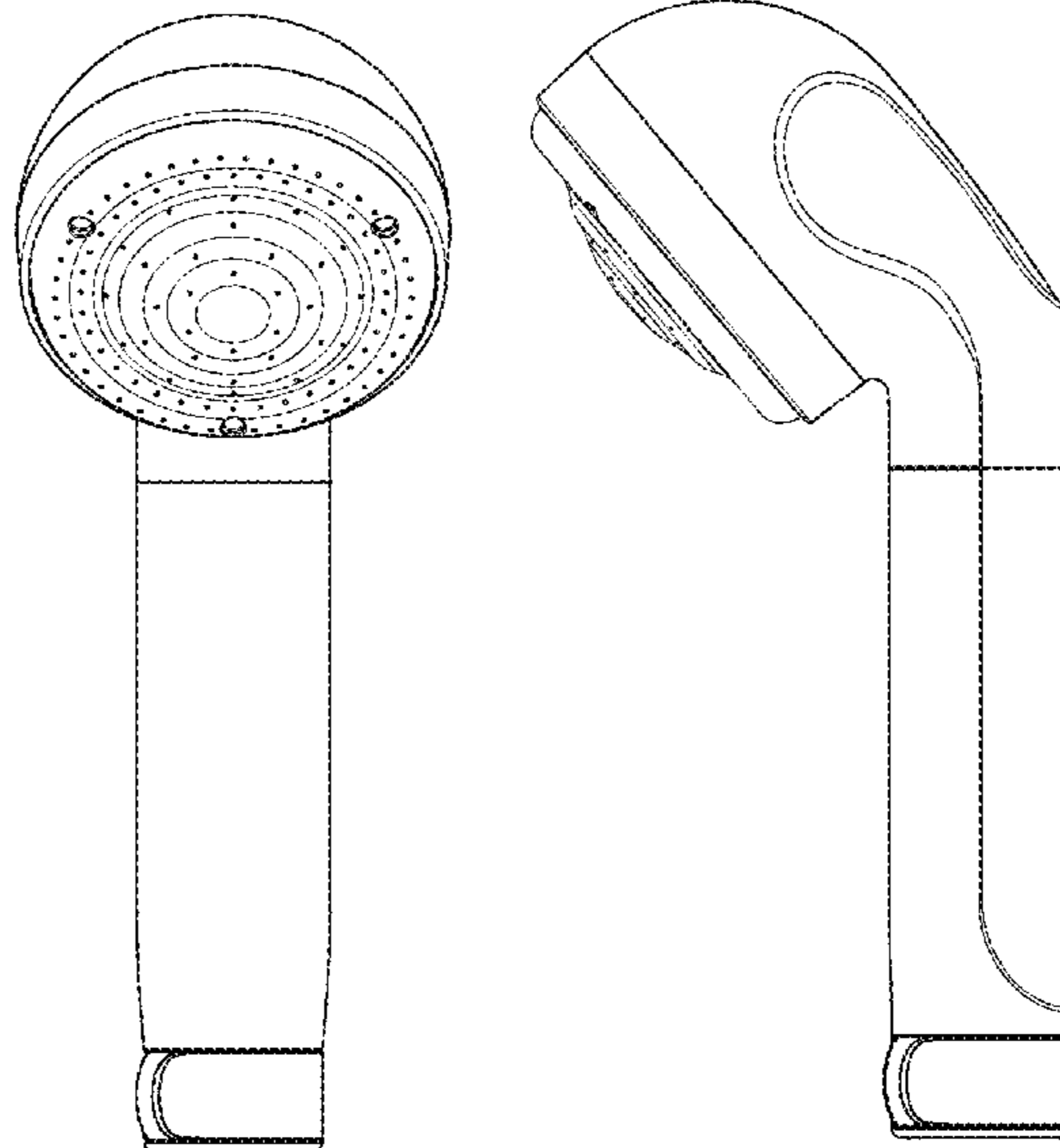
FIG. 3 is a top plan view thereof;

FIG. 4 is a bottom plan view thereof;

FIG. 5 is a right side view thereof; and,

FIG. 6 is a left side view thereof.

1 Claim, 4 Drawing Sheets



(56)

References Cited

U.S. PATENT DOCUMENTS

D755,346 S * 5/2016 Yan D23/223
2014/0367482 A1 * 12/2014 Cacka B05B 1/1654
239/11

* cited by examiner

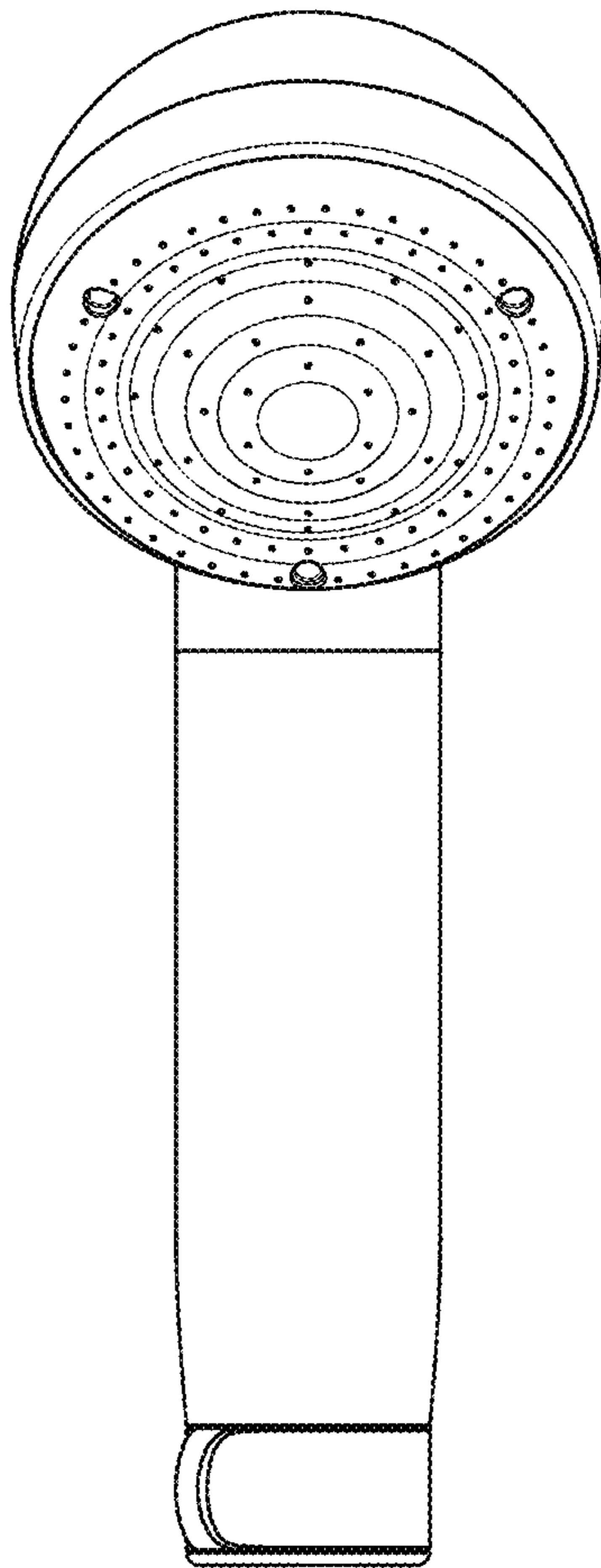


FIG. 1

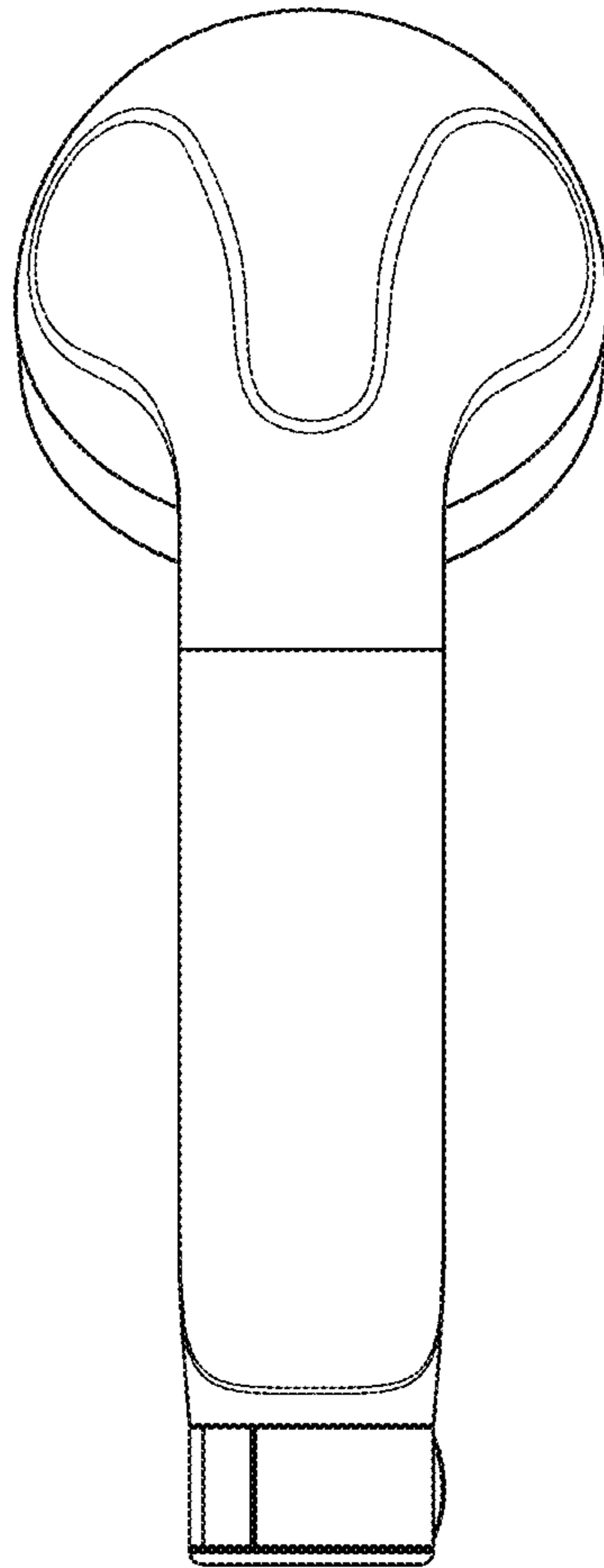


FIG. 2

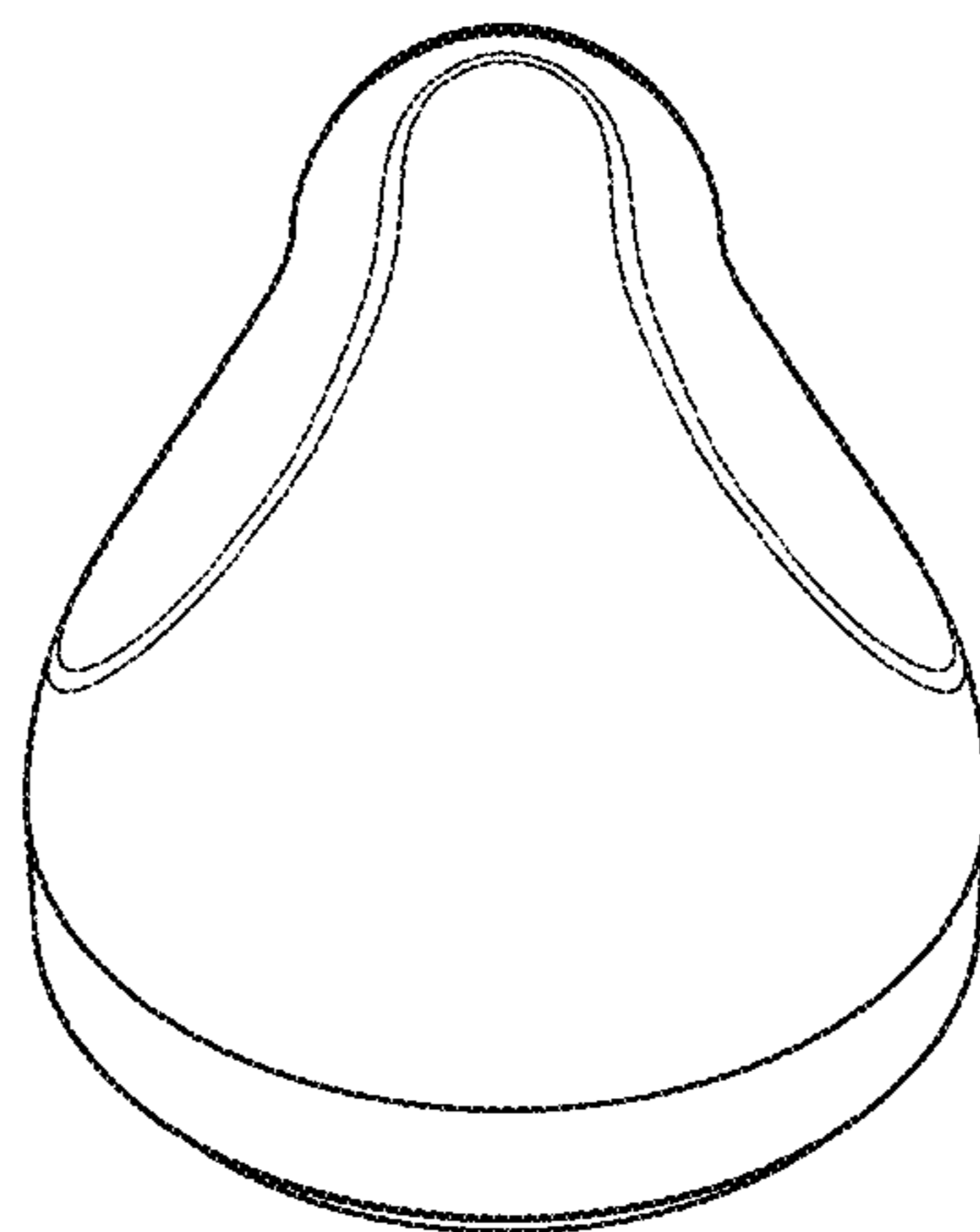


FIG. 3

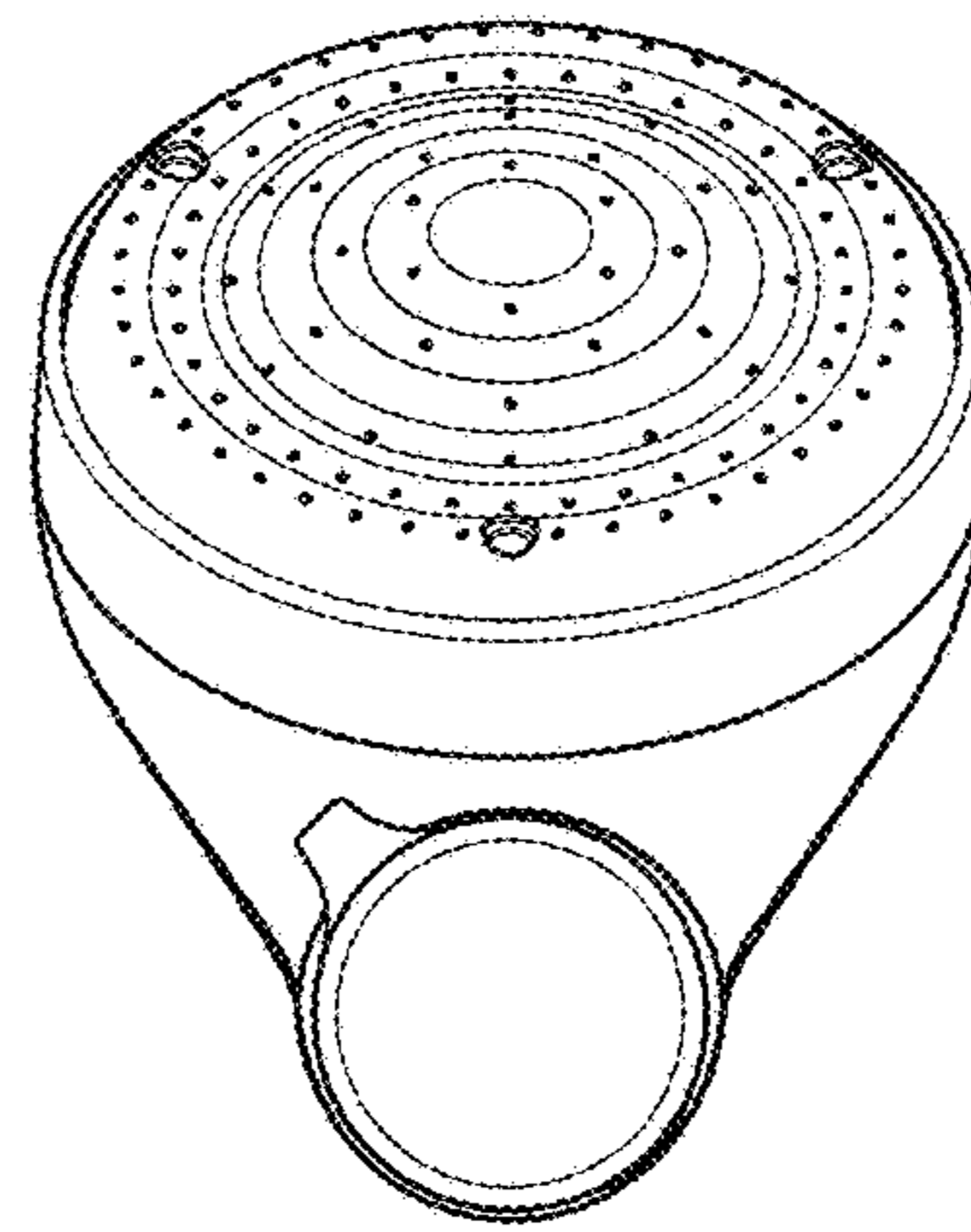


FIG. 4

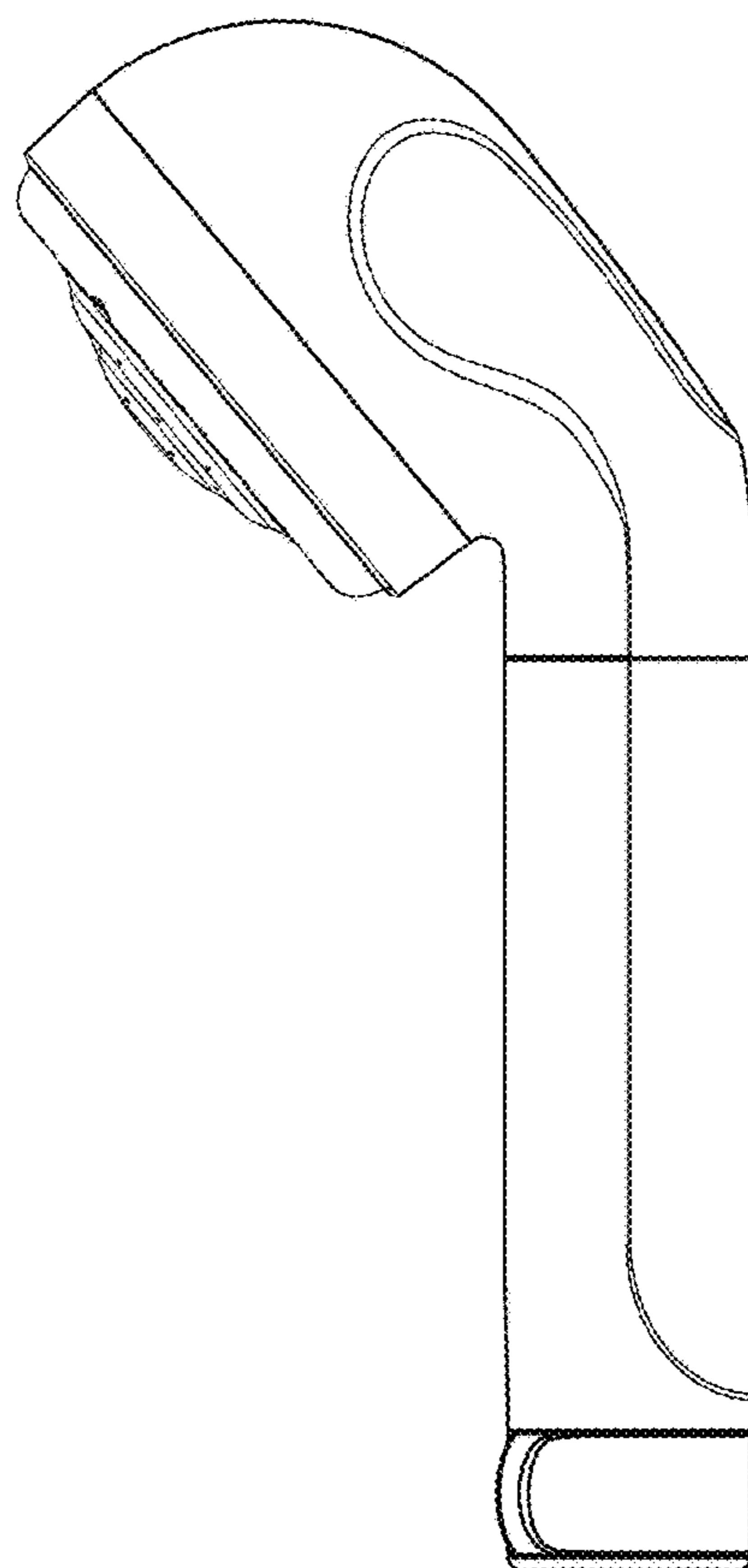


FIG. 5

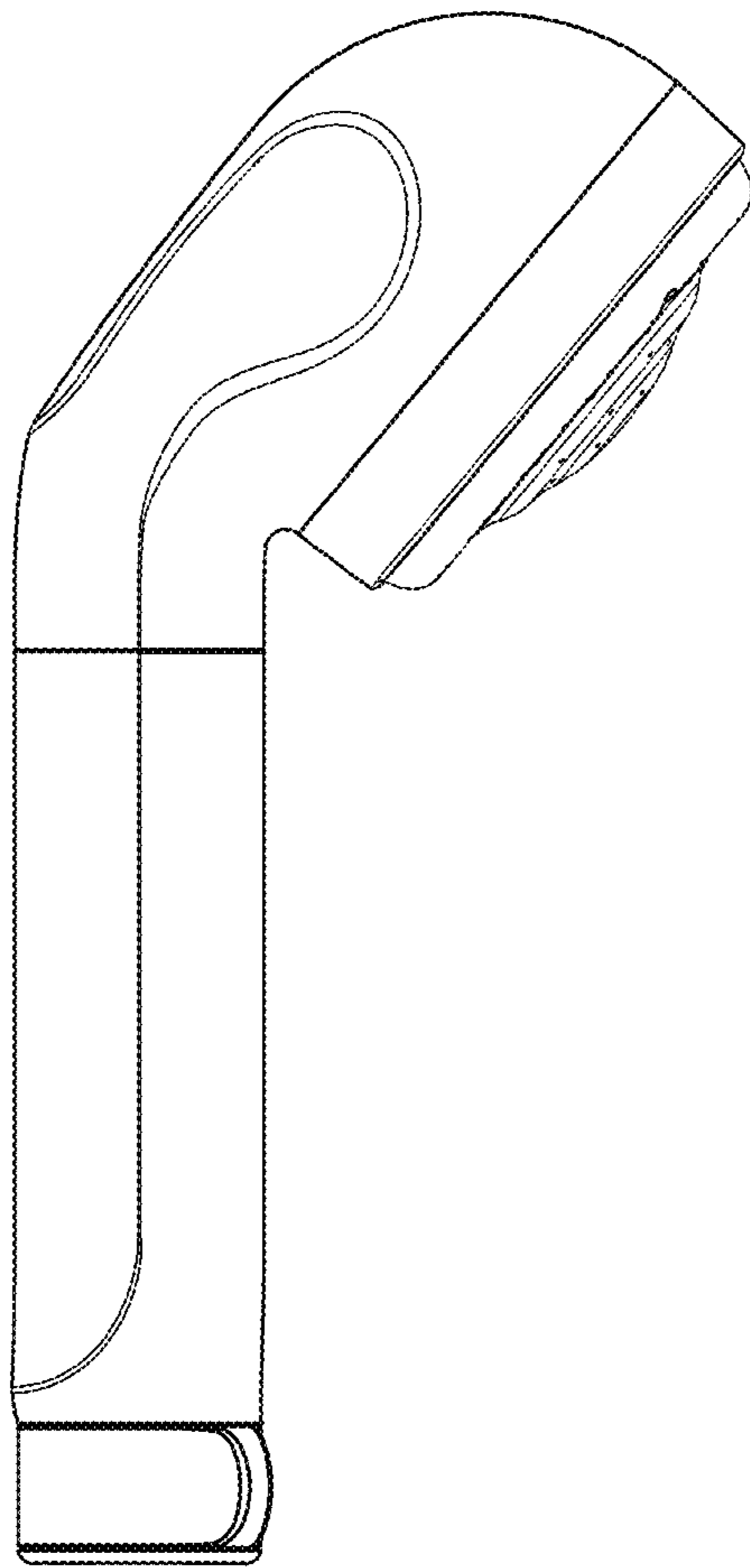


FIG. 6