



US00D785751S

(12) **United States Design Patent** (10) **Patent No.:** **US D785,751 S**
Chuk et al. (45) **Date of Patent:** **** May 2, 2017**

(54) **TOILET**

(56) **References Cited**

(71) Applicant: **Icera LLC**, Santa Ana, CA (US)

U.S. PATENT DOCUMENTS

(72) Inventors: **Charles Chuk**, Santa Ana, CA (US);
Robin Huang, Wuxi (CN); **Haihe Cheng**, Wuxi (CN)

D594,944 S * 6/2009 Starck D23/301
D603,945 S * 11/2009 Bucher D23/301
D624,165 S * 9/2010 Yokoyama D23/301
D624,997 S * 10/2010 Schonherr D23/301
D652,493 S * 1/2012 Bucher D23/301
D764,033 S * 8/2016 Chuk D23/301

(73) Assignee: **ICERA LLC**, Santa Ana, CA (US)

* cited by examiner

(**) Term: **15 Years**

Primary Examiner — Robert Delehanty

(21) Appl. No.: **29/563,738**

(74) *Attorney, Agent, or Firm* — LKP Global Law, LLP

(22) Filed: **May 6, 2016**

(57) **CLAIM**

The ornamental design for a toilet, as shown and described.

Related U.S. Application Data

DESCRIPTION

(63) Continuation-in-part of application No. 29/539,693, filed on Sep. 16, 2015, now Pat. No. Des. 764,033.

(51) **LOC (10) Cl.** **23-02**

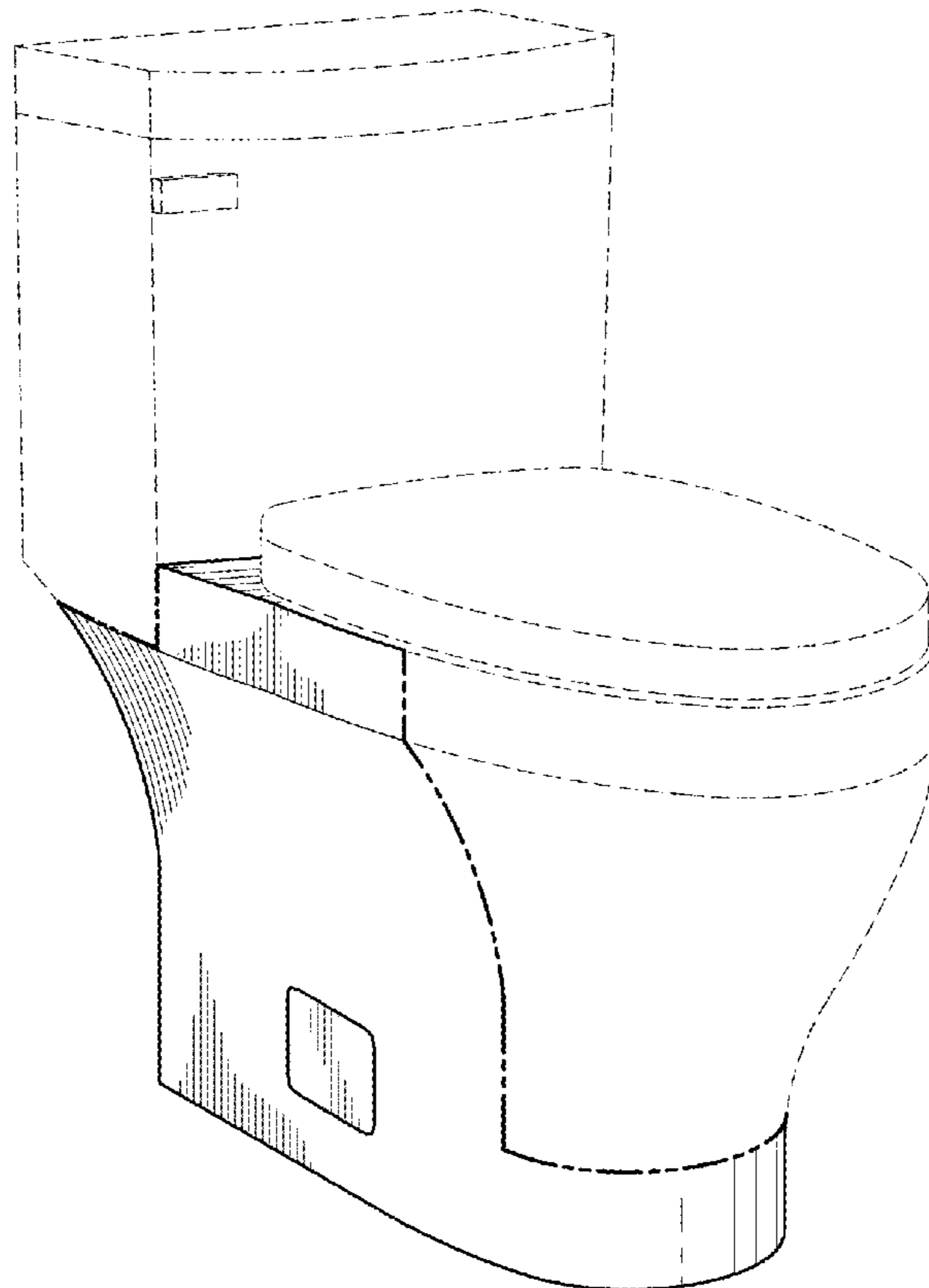
(52) **U.S. Cl.**
USPC **D23/209**

(58) **Field of Classification Search**
USPC D23/311, 303, 295, 300-301
CPC A47K 13/00; A47K 13/24; E03D 1/00;
E03D 1/01; E03D 1/012; E03D 1/26;
E03D 1/28

FIG. 1 is a perspective view of a toilet;
FIG. 2 is a top view of the toilet taken from FIG. 1;
FIG. 3 is a left side view of the toilet of FIG. 1;
FIG. 4 is a right side view of the toilet of FIG. 1;
FIG. 5 is a front view of the toilet of FIG. 1; and,
FIG. 6 is a back view of the toilet of FIG. 1.
The dash-dash-dash-dash type broken lines are for illustrative purposes only and form no part of the claimed design. The dot-dot-dash type broken lines shown in the drawings define the boundaries of the claimed design.

See application file for complete search history.

1 Claim, 3 Drawing Sheets



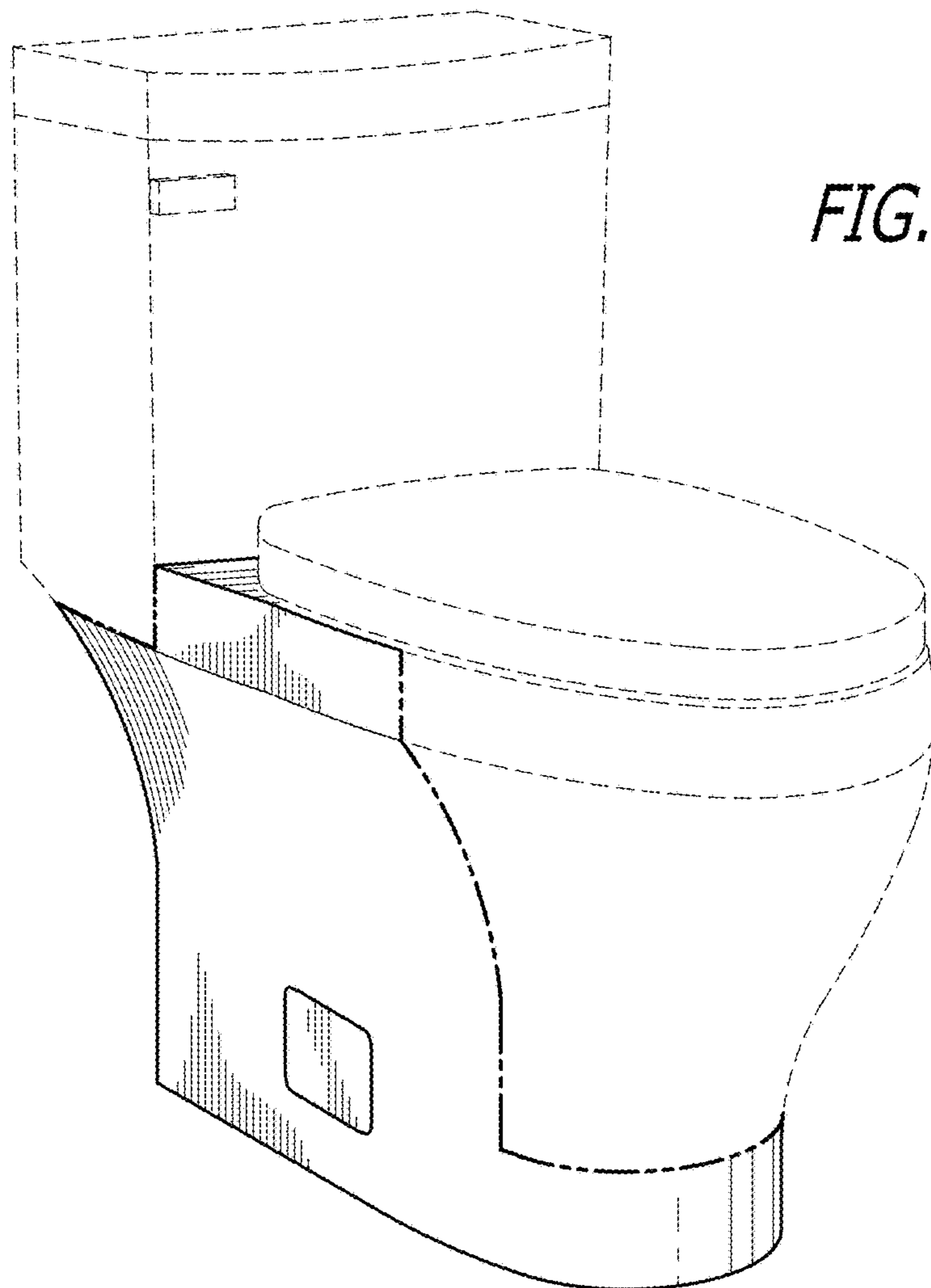
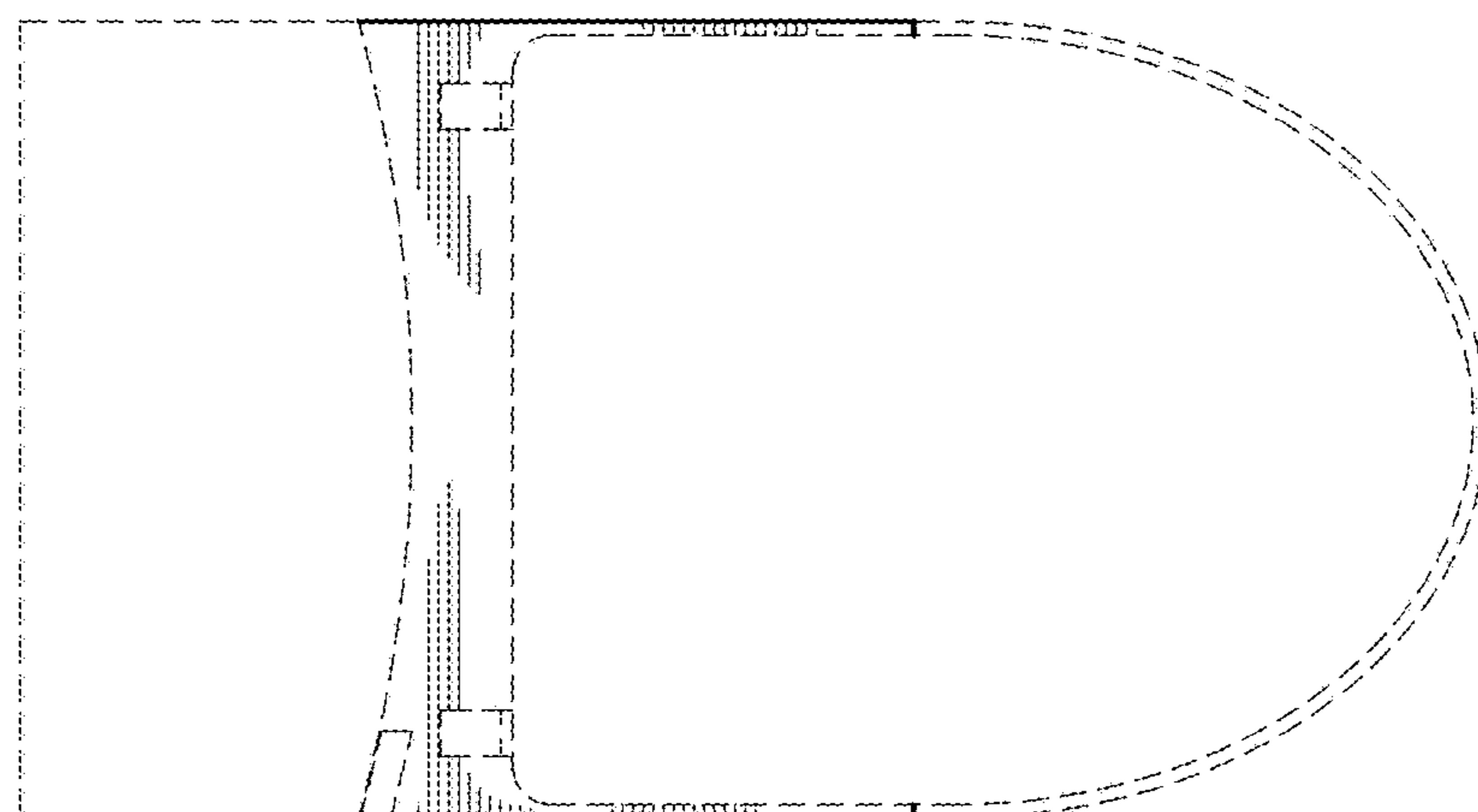
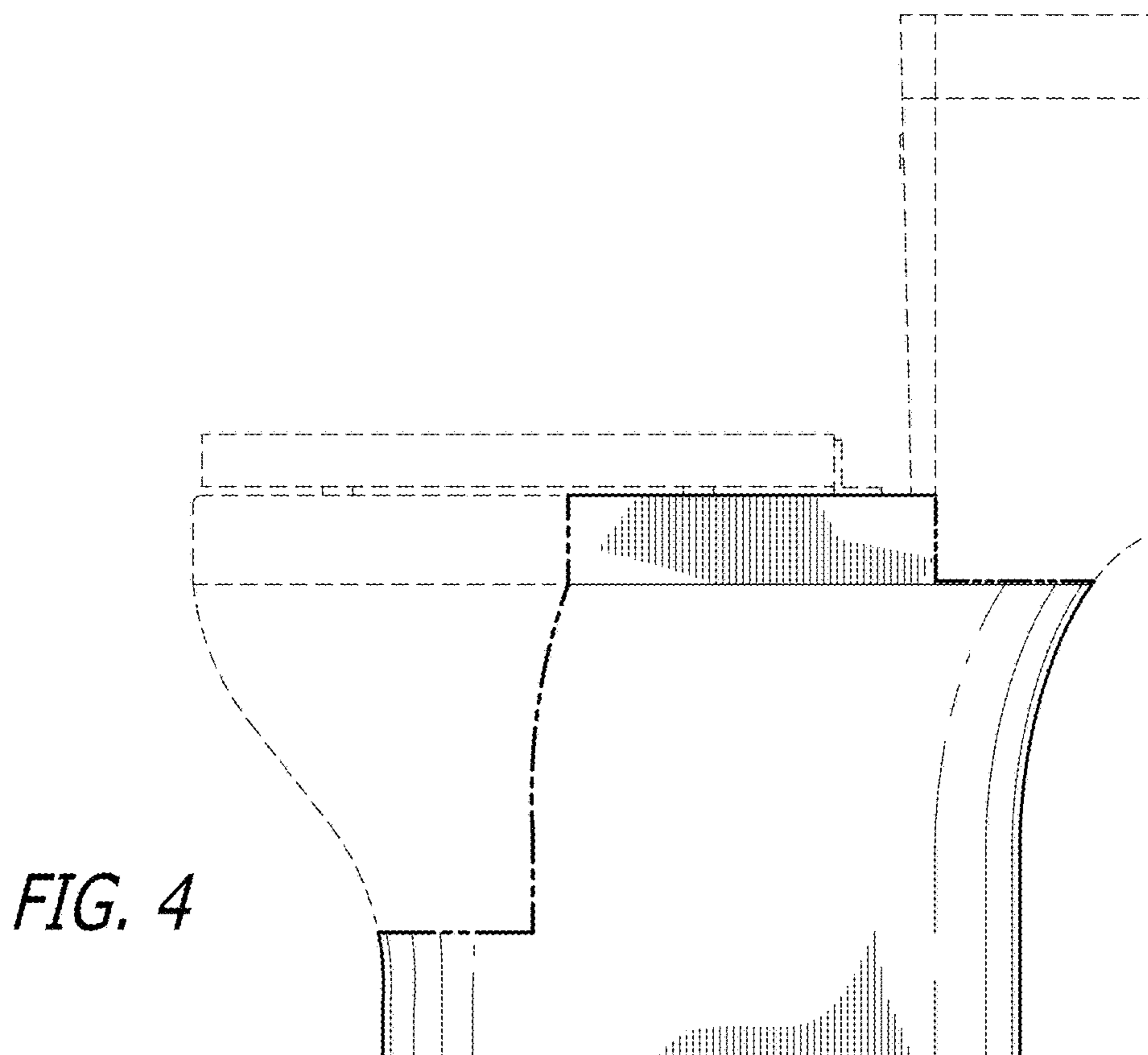
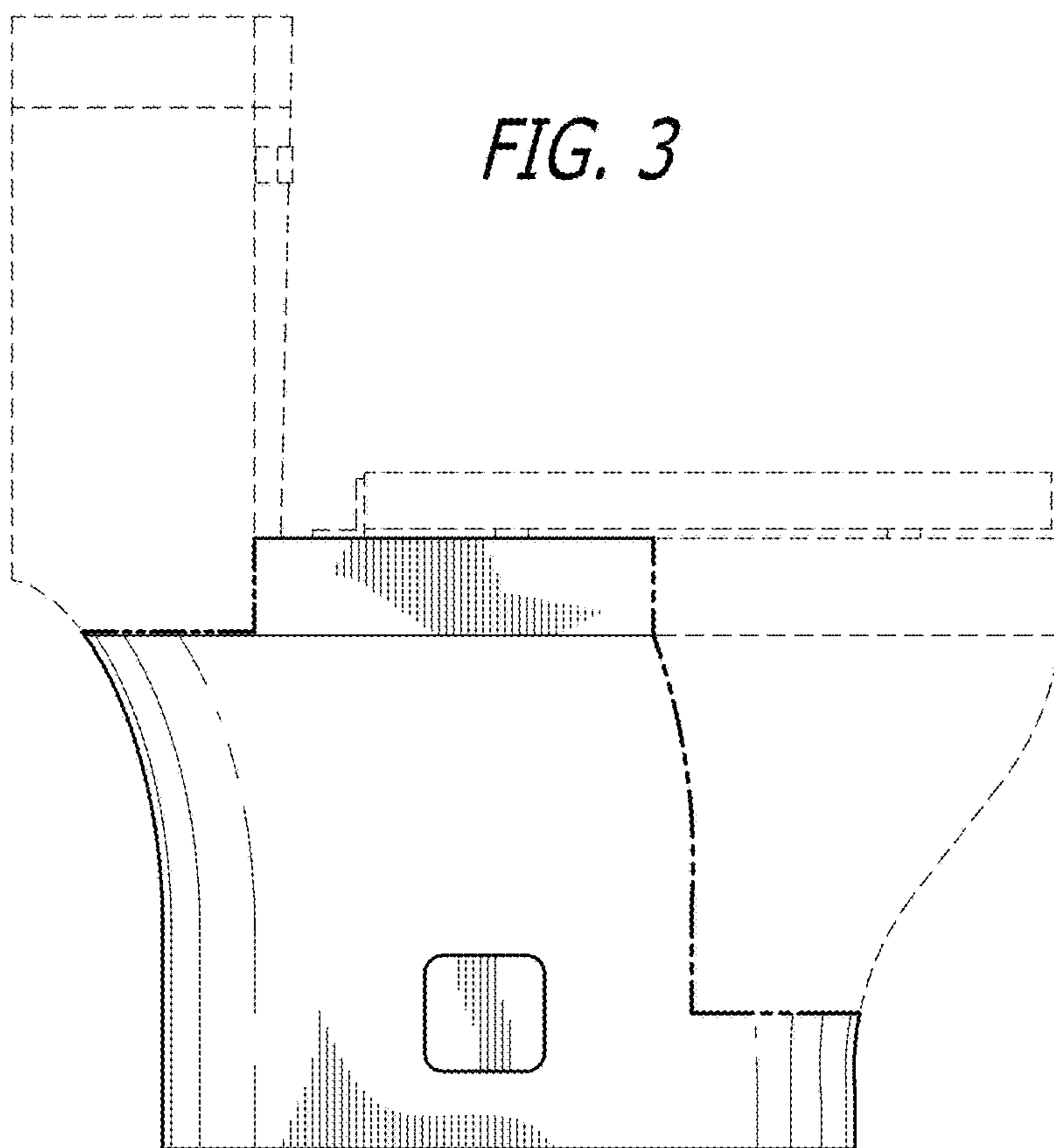


FIG. 1

FIG. 2





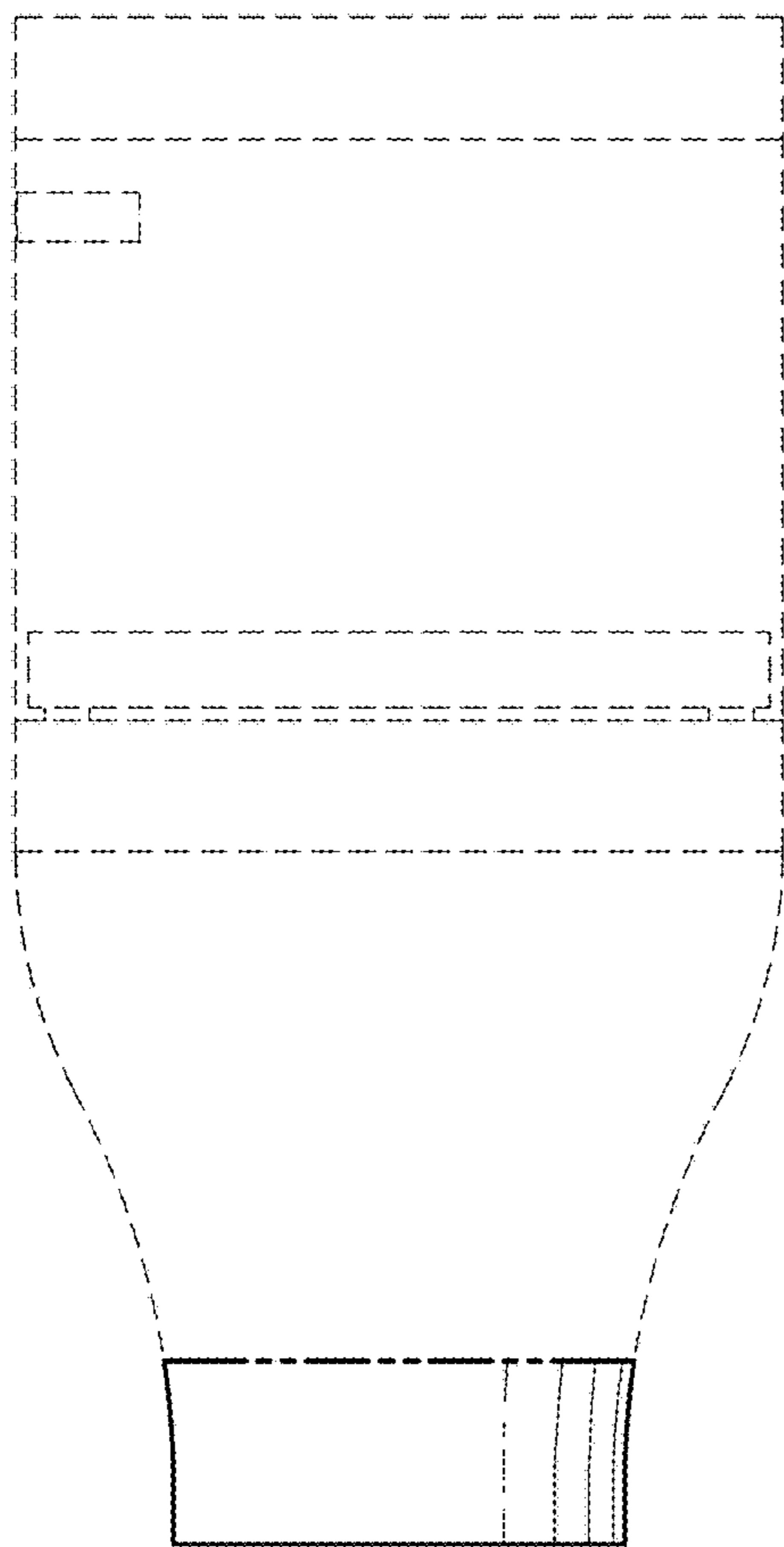


FIG. 5

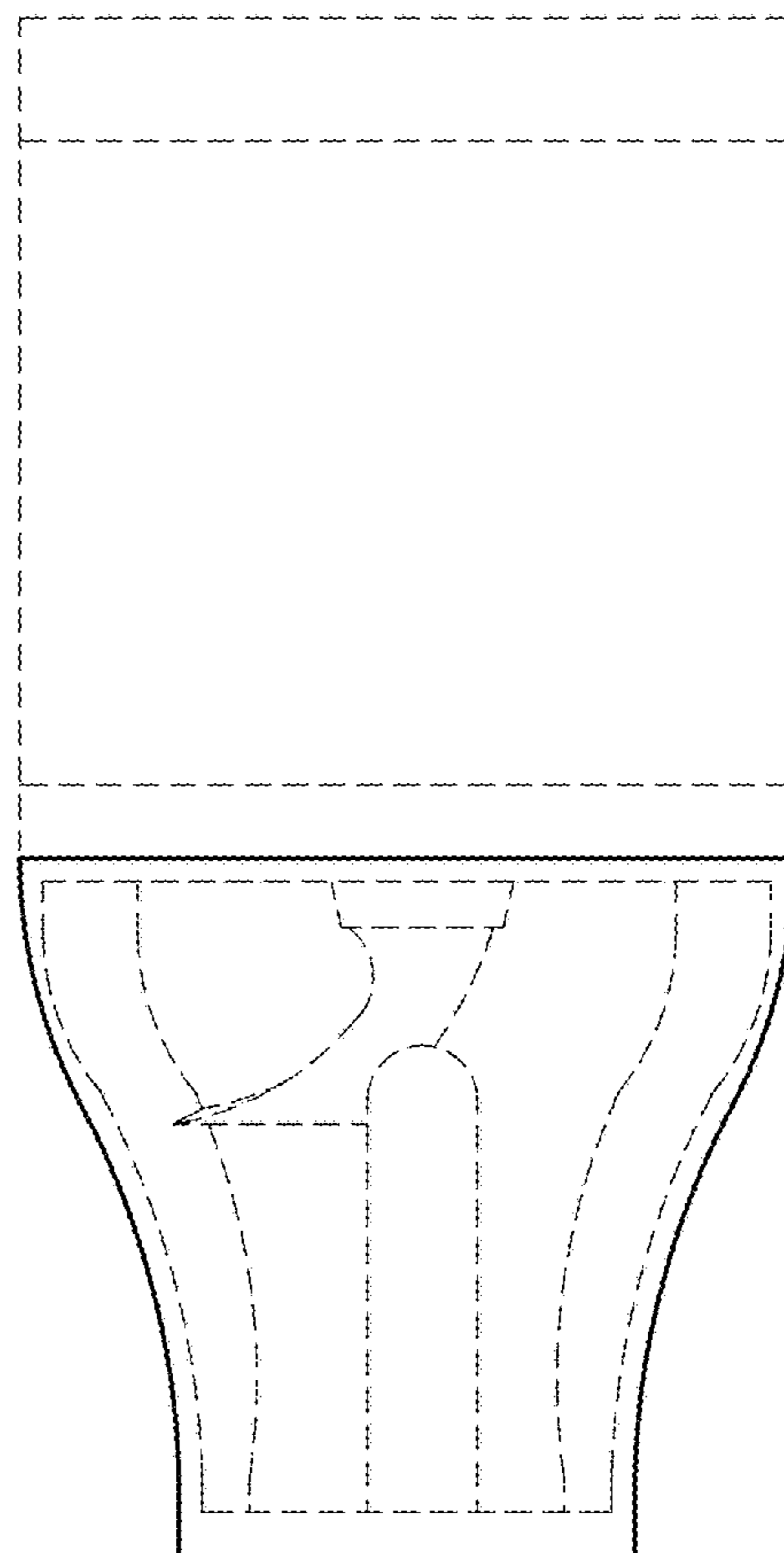


FIG. 6