



US00D785750S

(12) **United States Design Patent** (10) **Patent No.:** **US D785,750 S**
Huda et al. (45) **Date of Patent:** **** May 2, 2017**

(54) **HANDLE END OF FILTER CARTRIDGE**
(71) Applicant: **KX Technologies LLC**, West Haven, CT (US)
(72) Inventors: **Stephen P. Huda**, Shelton, CT (US); **Erik R. Klimpel**, Woodbury, MN (US); **Michael J. Sherman**, Woodbury, MN (US)
(73) Assignee: **KX Technologies LLC**, West Haven, CT (US)
(**) Term: **15 Years**

6,027,644 A 2/2000 Magnusson et al.
6,193,884 B1 2/2001 Magnusson et al.
D455,814 S 4/2002 Magnusson et al.
6,632,355 B2 10/2003 Fritze
6,984,319 B2* 1/2006 Merritt B01D 29/15
123/196 A
7,459,078 B2* 12/2008 Klein B01D 29/96
210/234

(Continued)

Primary Examiner — Robin V Webster
(74) *Attorney, Agent, or Firm* — DeLio, Peterson & Curcio, LLC; Robert Curcio

(21) Appl. No.: **29/544,126**
(22) Filed: **Oct. 30, 2015**

Related U.S. Application Data

(60) Division of application No. 29/502,967, filed on Sep. 22, 2014, now Pat. No. Des. 753,788, which is a continuation-in-part of application No. 13/907,200, filed on May 31, 2013, now Pat. No. 9,469,551.

(51) **LOC (10) Cl.** **23-01**
(52) **U.S. Cl.**
USPC **D23/209**

(58) **Field of Classification Search**
USPC D23/207, 209, 262, 259, 265; 210/232, 210/234, 236, 418, 493.2; D8/382; 285/360, 361
CPC B01D 2201/291; B01D 2201/293; B01D 2201/296; B01D 2201/298; B01D 2201/301–2201/306; B01D 35/153; B01D 35/157; B01D 35/30; B01D 29/111
See application file for complete search history.

(56) **References Cited**

U.S. PATENT DOCUMENTS

5,045,192 A * 9/1991 Terhune B01D 29/15
210/232
5,753,107 A 5/1998 Magnusson et al.

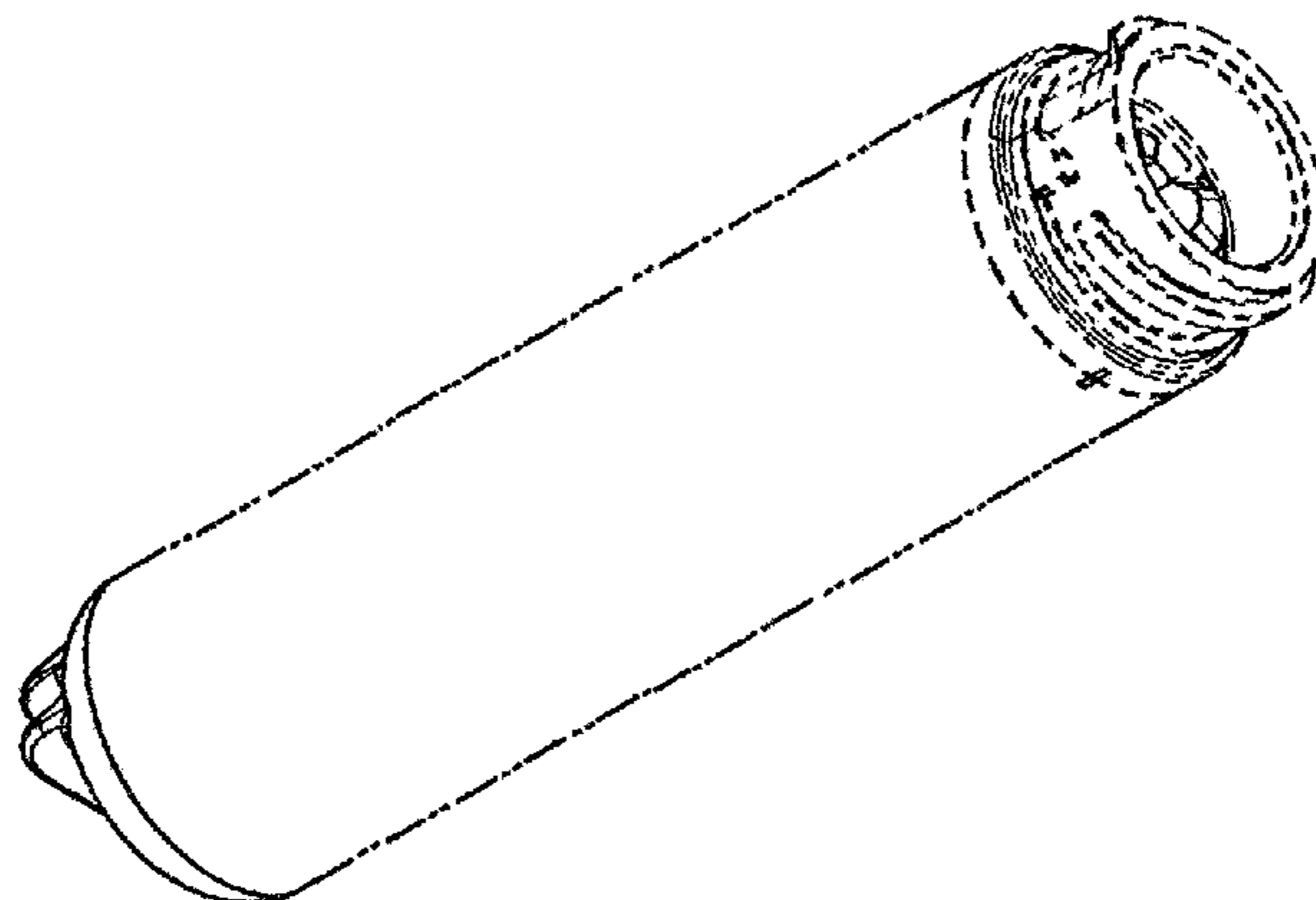
(57) **CLAIM**

We claim the ornamental design for a “handle end of filter cartridge,” as shown and described.

DESCRIPTION

FIG. 1 is a front view of a handle end of a filter cartridge according to the present invention;
FIG. 2 is a rear view of the handle end of a filter cartridge according to the present invention;
FIG. 3 is a left-side view of the handle end of a filter cartridge according to the present invention;
FIG. 4 is a right-side view of the handle end of a filter cartridge according to the present invention;
FIG. 5 is a bottom view of the handle end of a filter cartridge according to the present invention;
FIG. 6 is a downward perspective view of the handle end of a filter cartridge according to the present invention; and,
FIG. 7 is an upward perspective view of the handle end of a filter cartridge according to the present invention, rotated 90° with respect to the orientation of FIG. 6.
The broken lines showing of a filter body and threaded upper portion are included for the purpose of illustrating and form no part of the claimed design.

1 Claim, 3 Drawing Sheets



(56)

References Cited

U.S. PATENT DOCUMENTS

7,708,148	B2	5/2010	Fritze	
8,066,790	B2 *	11/2011	Hutchinson B01D 29/111 210/457
8,097,158	B2 *	1/2012	Tubby B01D 27/08 137/625.46
8,216,463	B1	7/2012	Baird	
8,261,919	B2 *	9/2012	Burr B01D 65/00 210/321.87

* cited by examiner

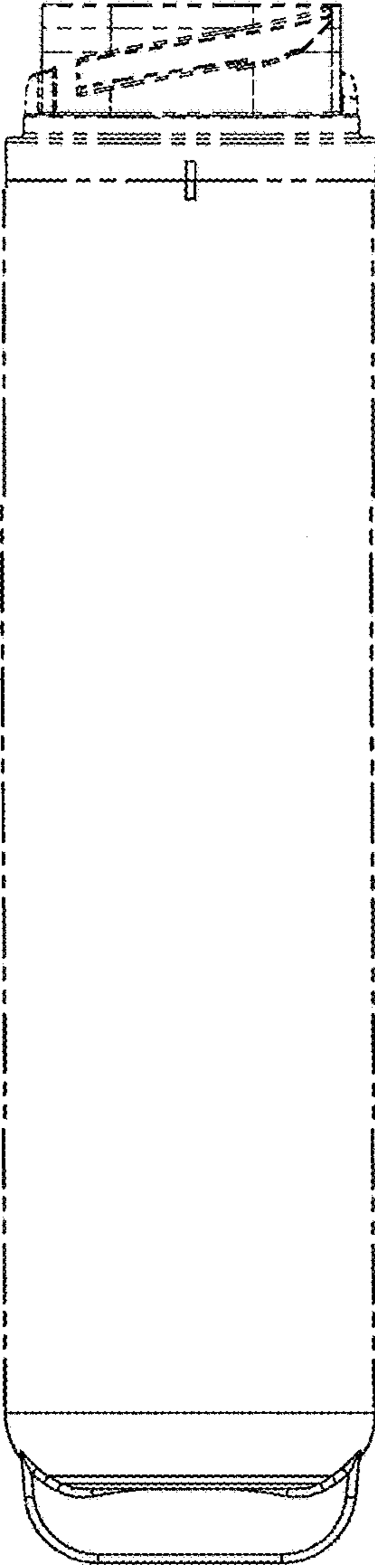


FIG. 1

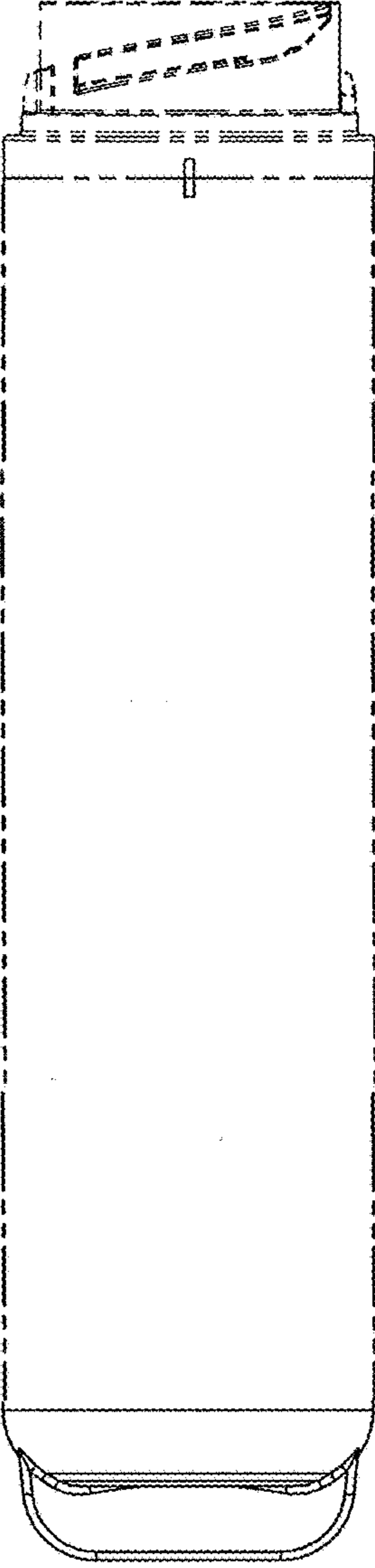


FIG. 2

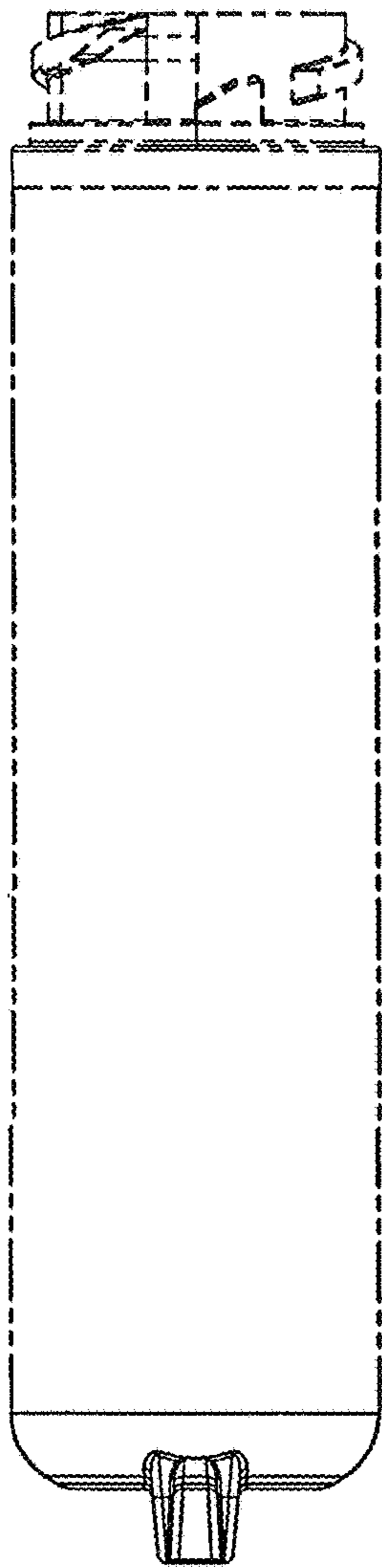


FIG. 3

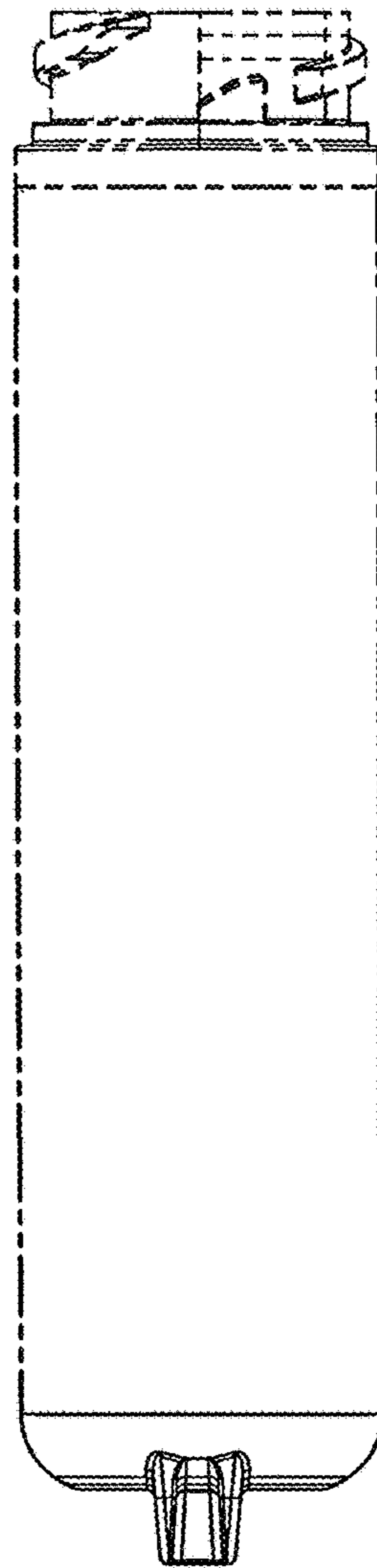


FIG. 4

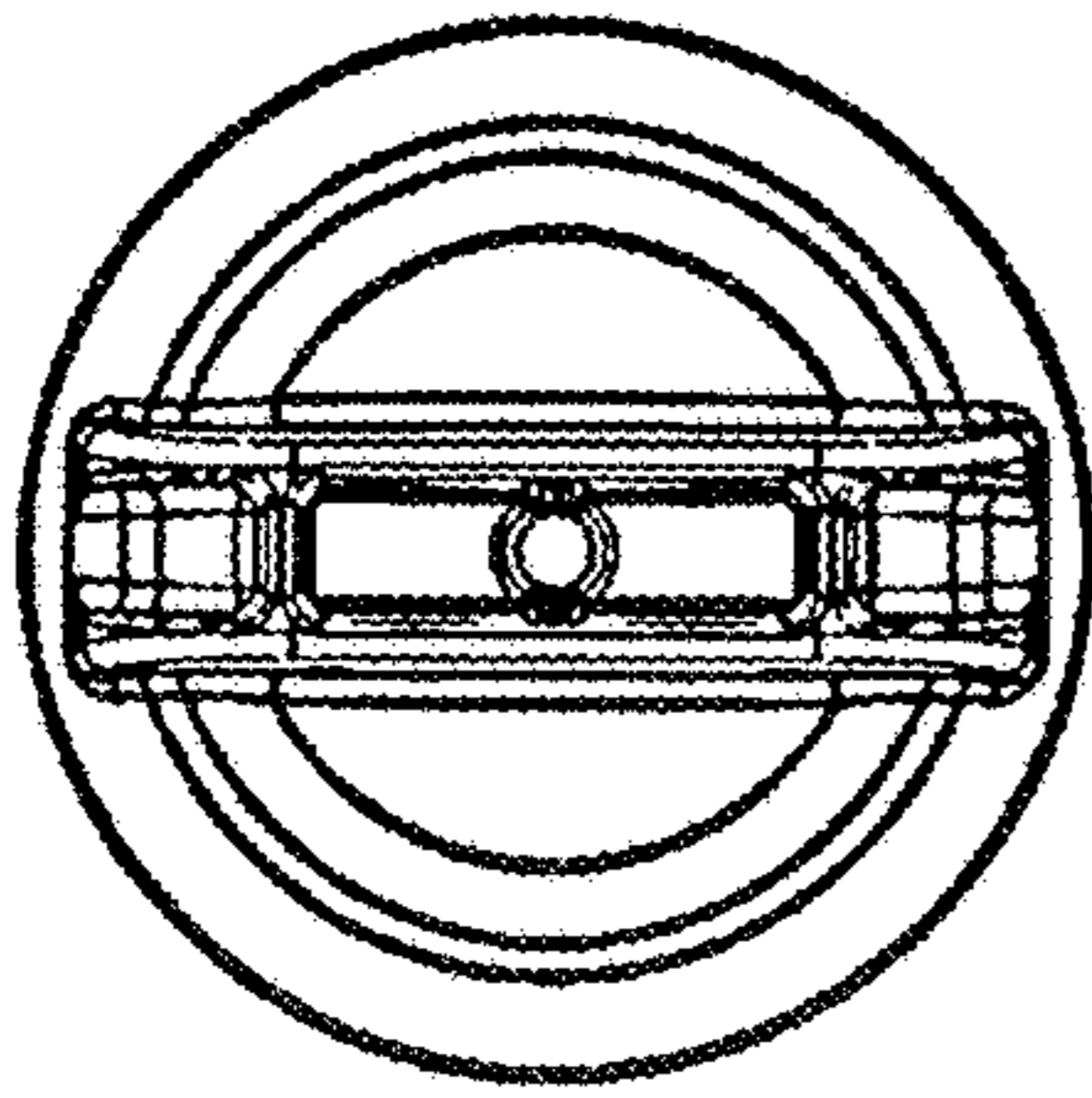


FIG. 5

FIG. 6

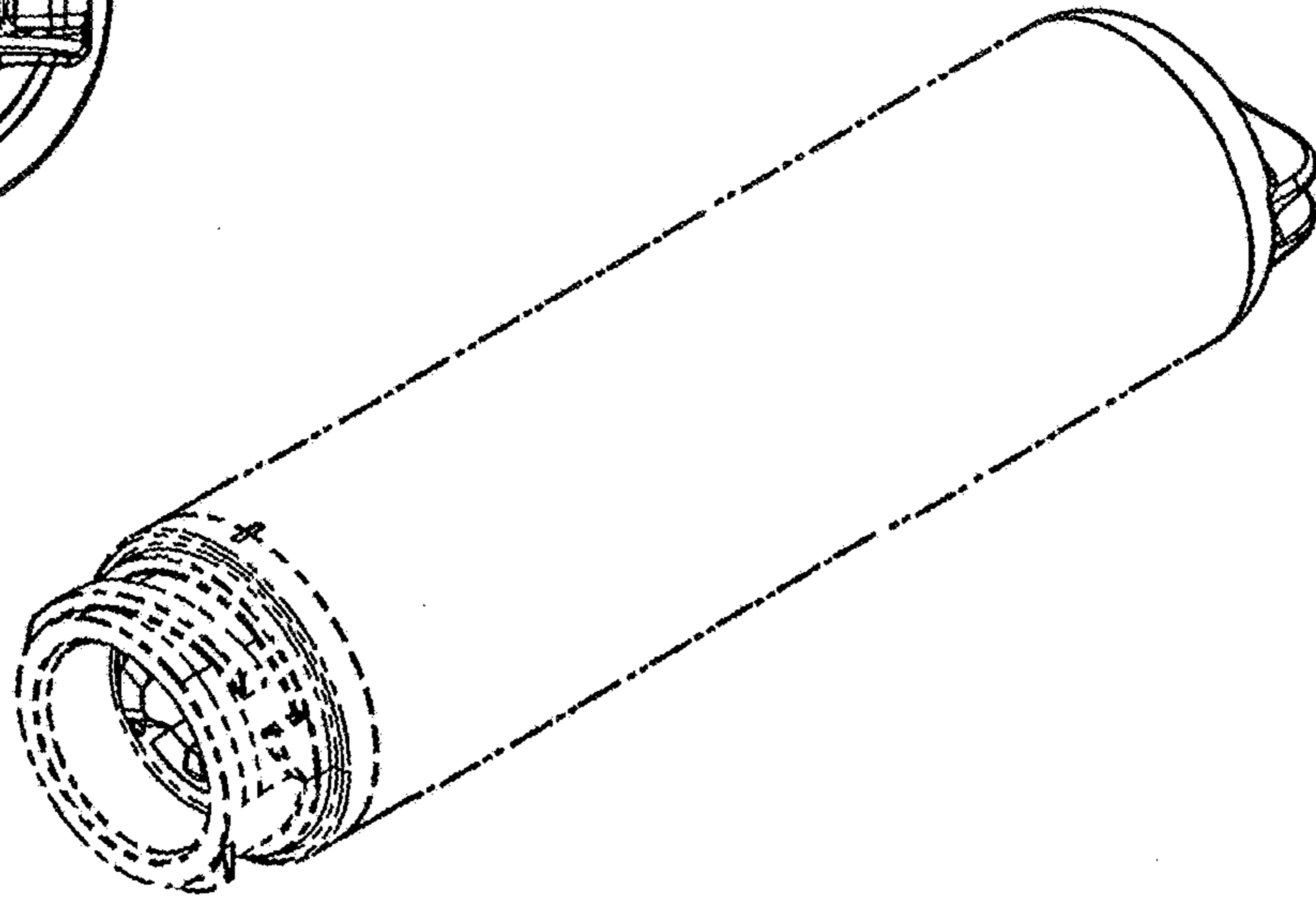


FIG. 7

