



US00D785748S

(12) **United States Design Patent**  
**Nogami et al.**

(10) **Patent No.:** **US D785,748 S**

(45) **Date of Patent:** **\*\* May 2, 2017**

(54) **FISHING REEL**

D724,174 S \* 3/2015 Nago ..... D22/140  
D767,081 S \* 9/2016 Hosono ..... D22/140

(71) Applicant: **GLOBERIDE, INC.**,  
Higashikurume-shi, Tokyo (JP)

\* cited by examiner

(72) Inventors: **Masayuki Nogami**, Higashikurume  
(KR); **Hiroshi Toma**, Higashikurume  
(JP); **Mikiharu Kobayashi**,  
Higashikurume (JP)

*Primary Examiner* — Catheri Oliver-Garcia

(74) *Attorney, Agent, or Firm* — Sughrue Mion, PLLC

(73) Assignee: **GLOBRIDE, INC.**, Tokyo (JP)

(57) **CLAIM**

(\*\*) Term: **15 Years**

The ornamental design for a fishing reel, as shown and described.

(21) Appl. No.: **29/551,406**

(22) Filed: **Jan. 13, 2016**

**DESCRIPTION**

(51) **LOC (10) Cl.** ..... **22-05**

(52) **U.S. Cl.**  
USPC ..... **D22/140**

(58) **Field of Classification Search**  
USPC ..... D22/137-140; 43/20-24; 242/310-310,  
242/314, 316-317, 319, 323  
CPC ..... A01K 89/015; A01K 89/033  
See application file for complete search history.

FIG. 1 is a rear, left, upper perspective view of a fishing reel showing our new design;  
FIG. 2 is a front, right, upper perspective view thereof;  
FIG. 3 is a front view thereof;  
FIG. 4 is a rear side view thereof;  
FIG. 5 is a left side view thereof;  
FIG. 6 is a right side view thereof;  
FIG. 7 is a top plan view thereof; and,  
FIG. 8 is a bottom view thereof.

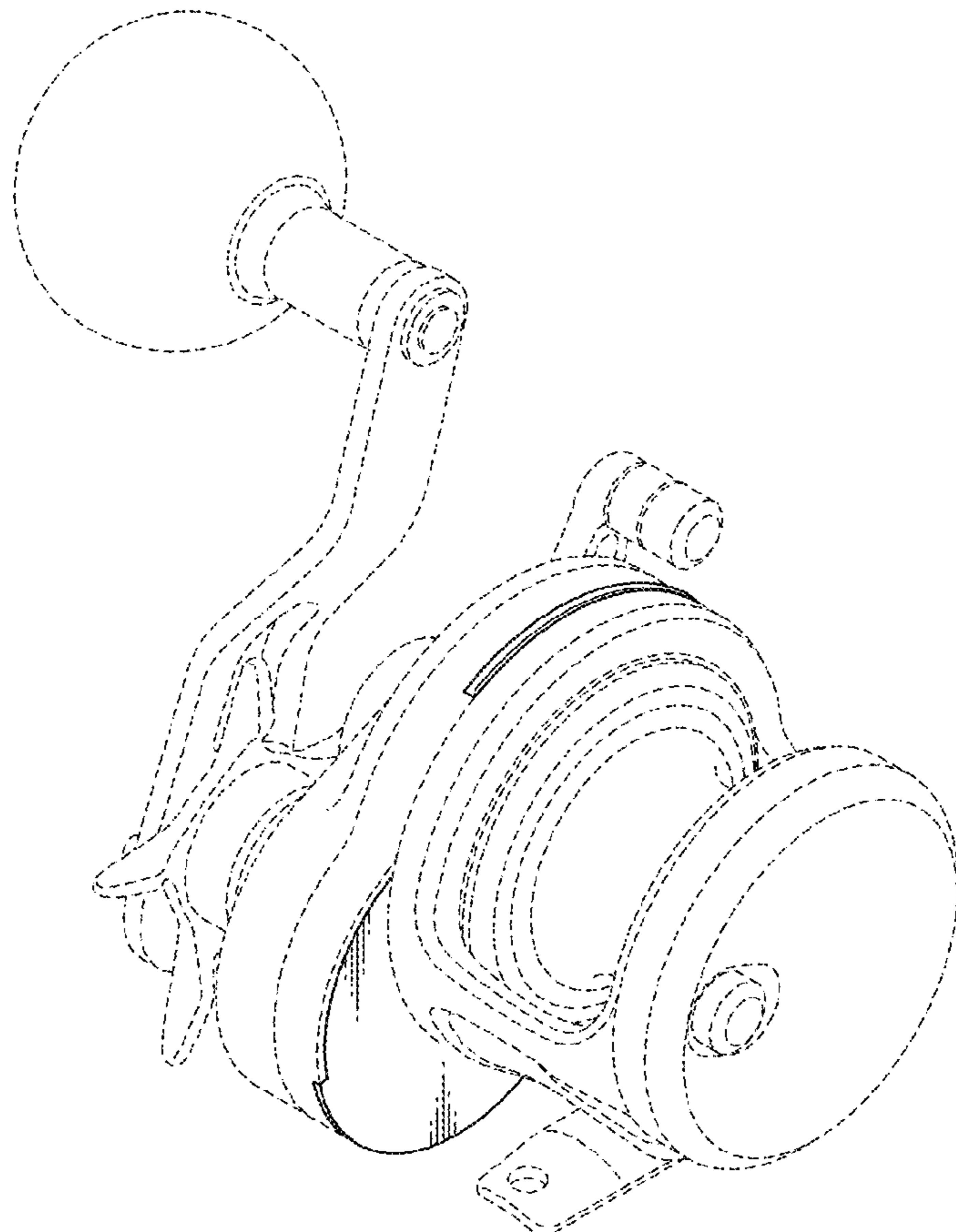
The broken lines represent the unclaimed portions of the fishing reel and form no part of the claimed design.

(56) **References Cited**

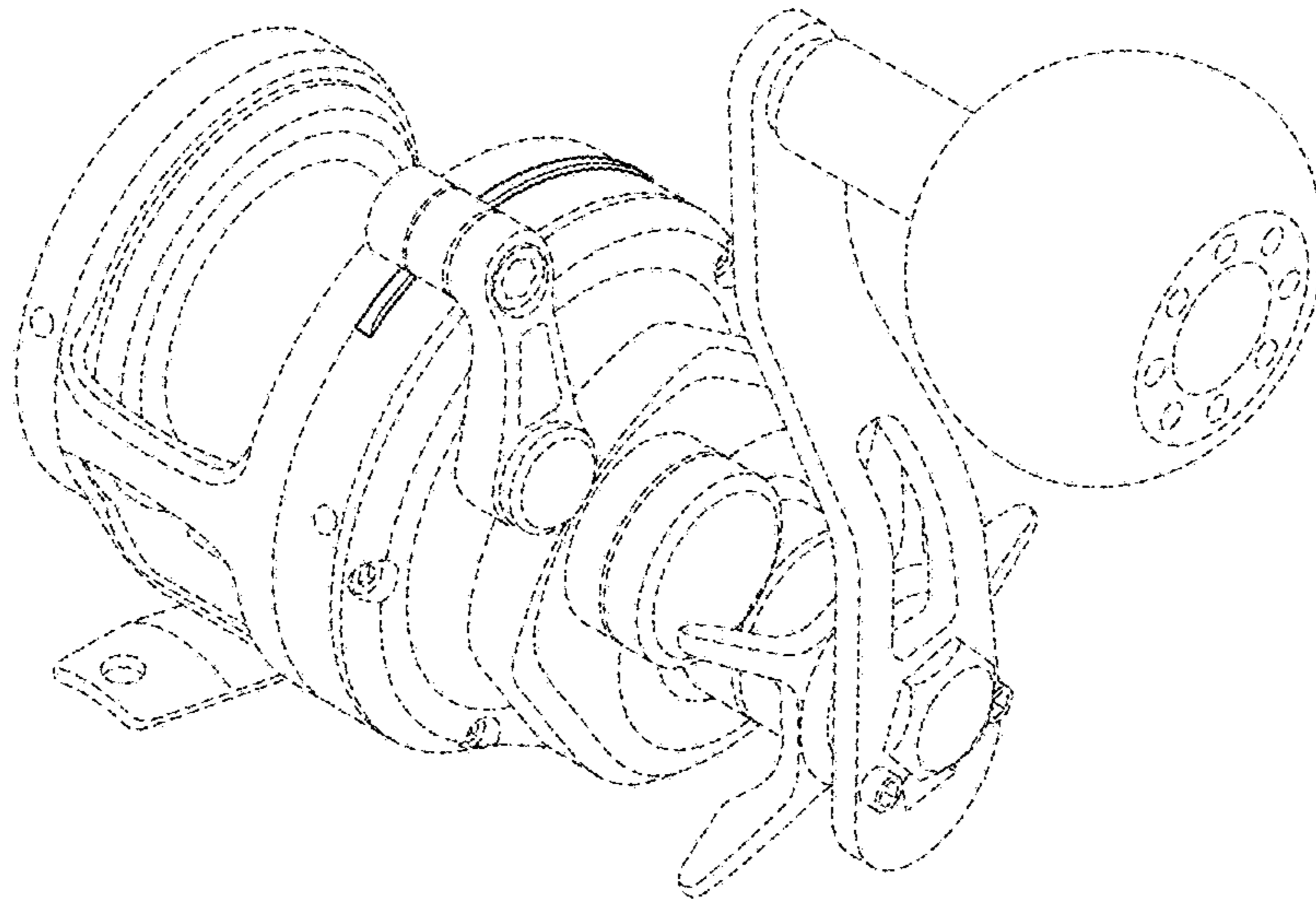
**U.S. PATENT DOCUMENTS**

D529,984 S \* 10/2006 Iwabuchi ..... D22/141

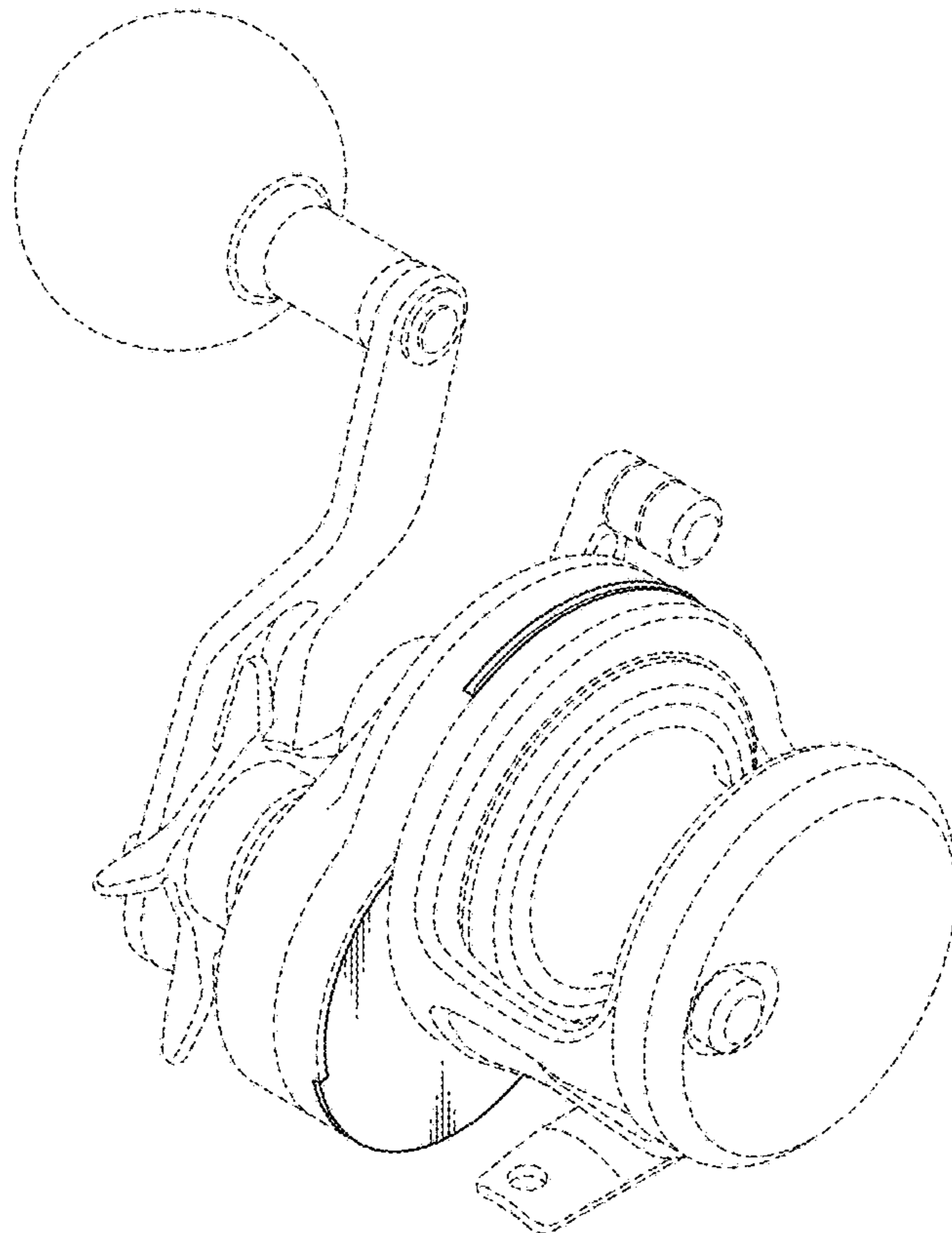
**1 Claim, 4 Drawing Sheets**



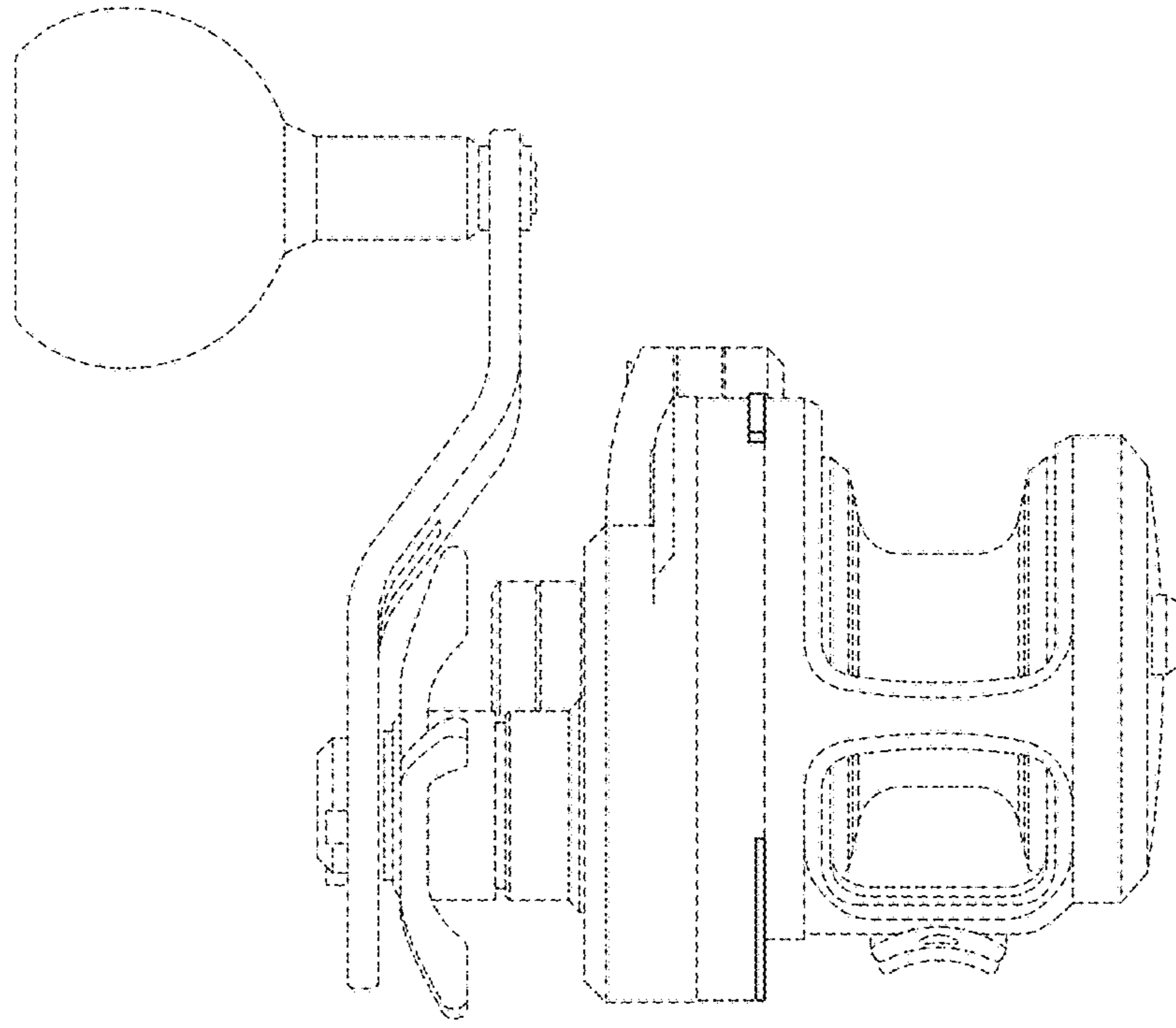
**FIG. 1**



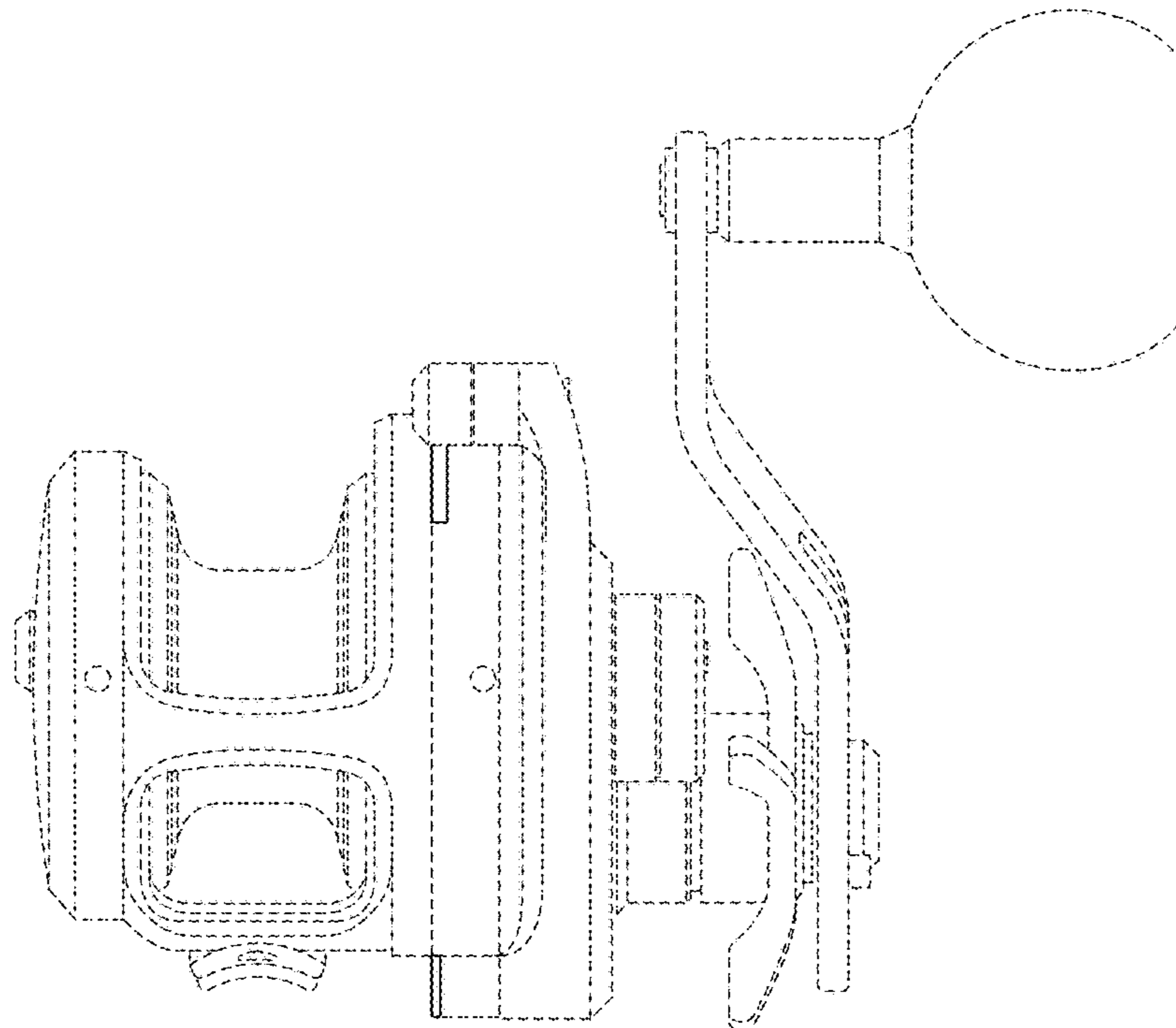
**FIG. 2**



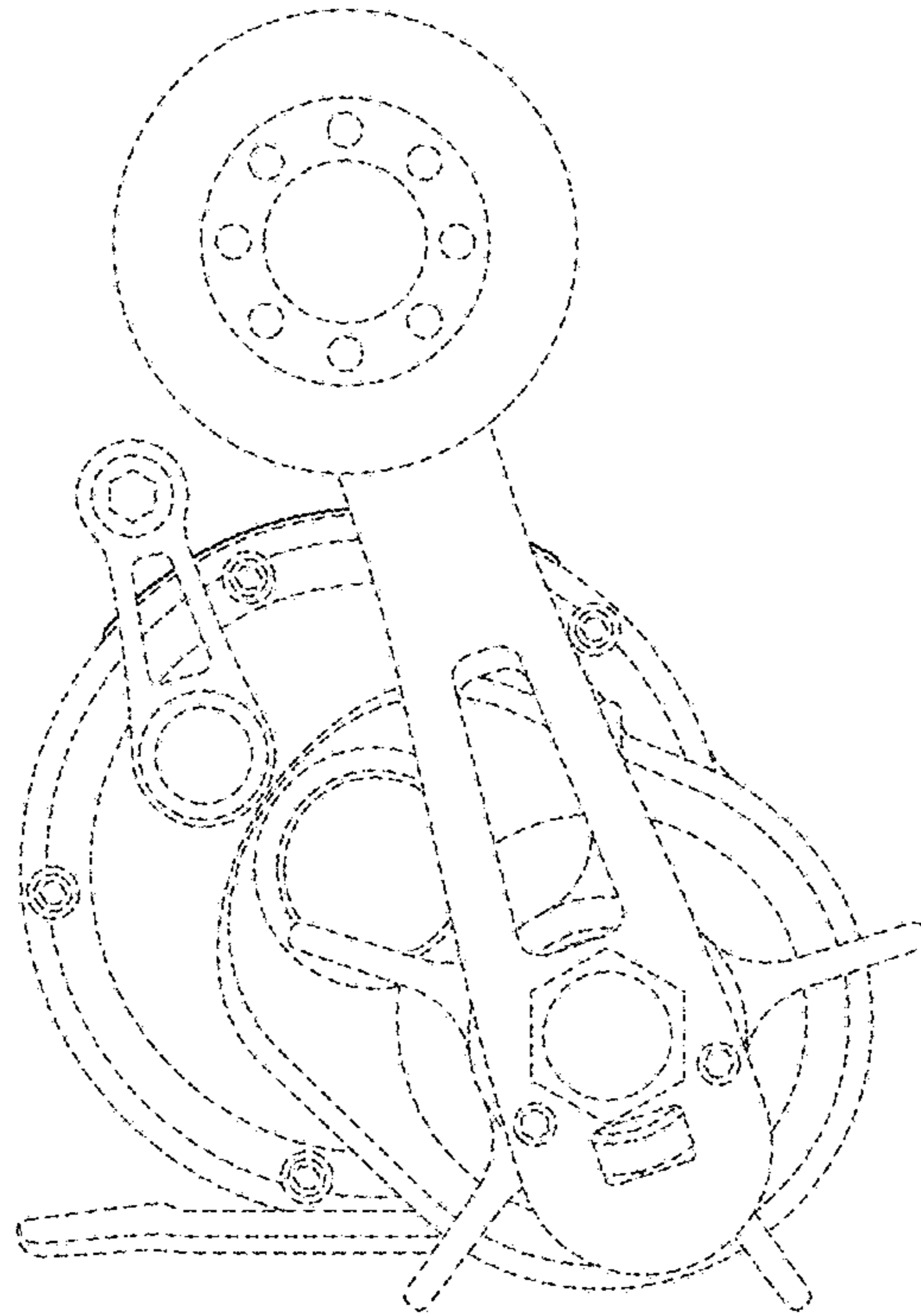
**FIG. 3**



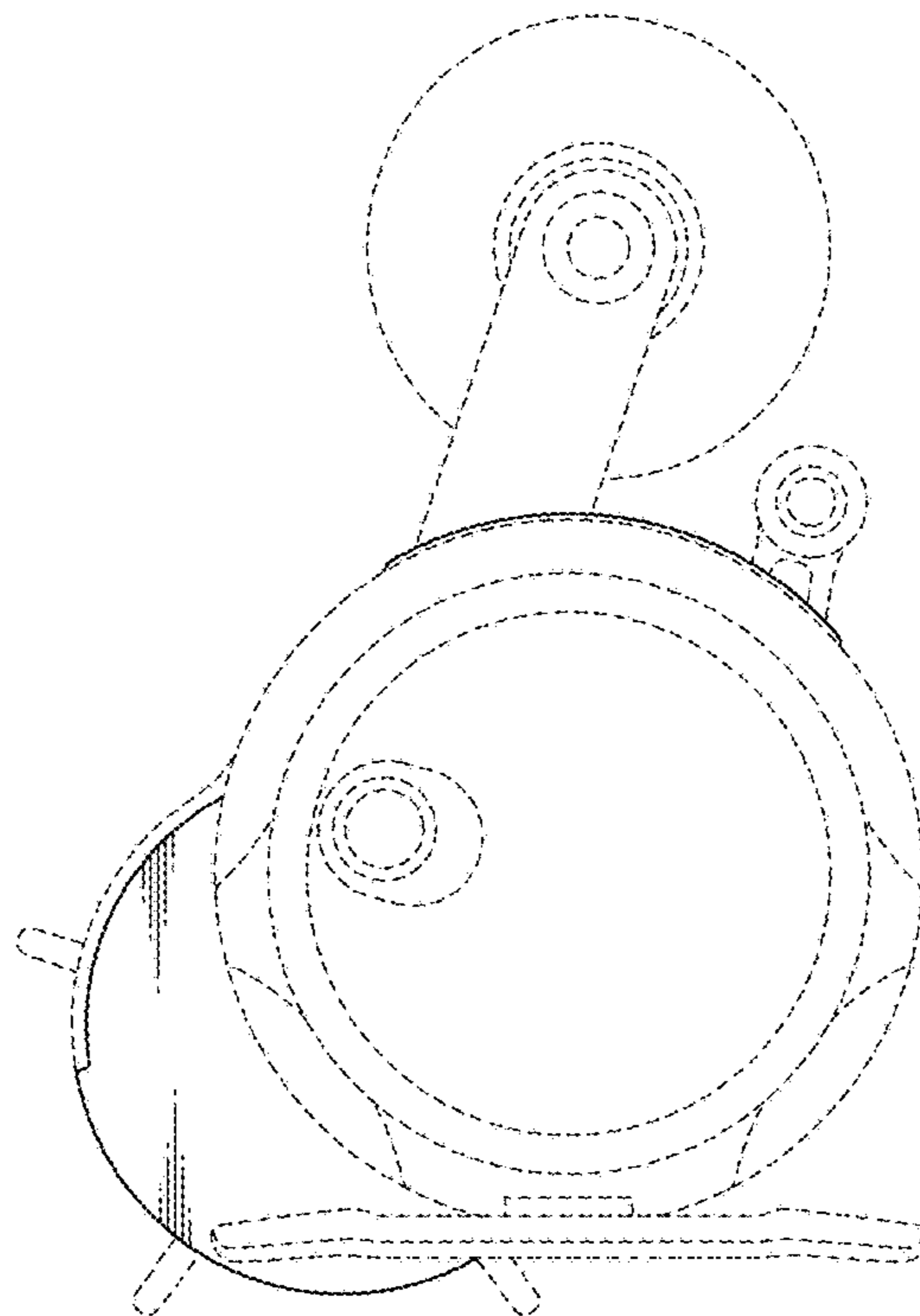
**FIG. 4**



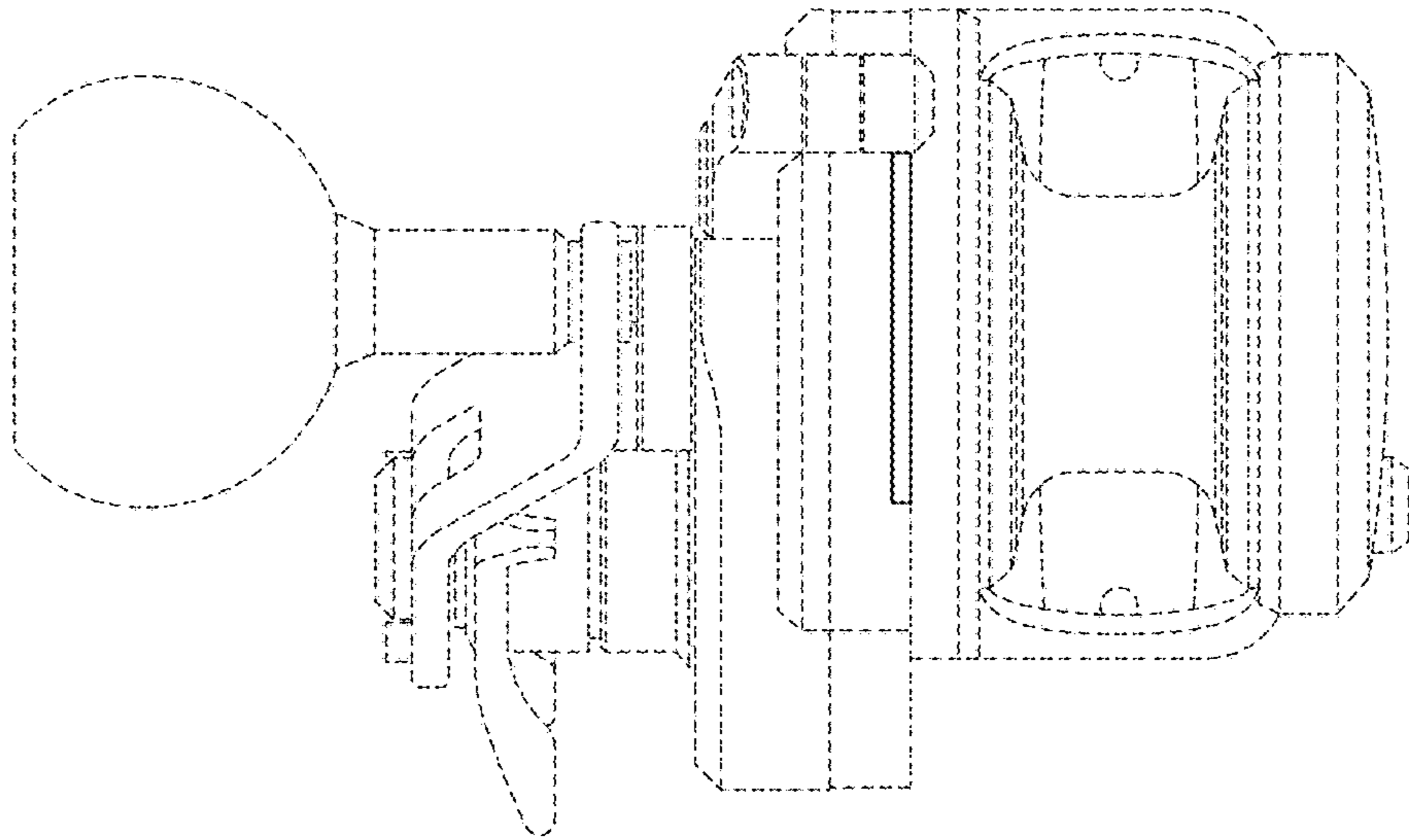
**FIG. 5**



**FIG. 6**



**FIG. 7**



**FIG. 8**

