



US00D785747S

(12) **United States Design Patent**
Okruhlik

(10) **Patent No.:** **US D785,747 S**

(45) **Date of Patent:** **** May 2, 2017**

(54) **FISHING LURE**

(71) Applicant: **Michael Okruhlik**, Katy, TX (US)

(72) Inventor: **Michael Okruhlik**, Katy, TX (US)

(**) Term: **15 Years**

(21) Appl. No.: **29/551,822**

(22) Filed: **Jan. 17, 2016**

(51) **LOC (10) Cl.** **22-05**

(52) **U.S. Cl.**
USPC **D22/126**

(58) **Field of Classification Search**
USPC D22/126-133; 43/42.24, 42.47, 42.35,
43/42.37, 42.39, 26.2, 42.4, 42.45, 42.48,
43/42.36, 42.06

CPC A01K 85/00; A01K 85/01; A01K 85/16
See application file for complete search history.

(56) **References Cited**

U.S. PATENT DOCUMENTS

4,155,191 A	5/1979	Spivey	
5,276,992 A *	1/1994	Kato A01K 85/16 43/42.06
5,355,613 A	10/1994	Kechriotis	
6,510,646 B1	1/2003	Kechriotis	
6,836,997 B2	1/2005	Cramsey	
D698,887 S *	2/2014	Jones, Jr. D22/126
D725,738 S *	3/2015	McMillan D22/126

OTHER PUBLICATIONS

Reaction Strike and Trophy Technologies, LLC, "Split Tail Jr.," World Wide Web, <http://reactionstrike.com/product/split-tail-jr/>, printed on Mar. 29, 2016, 3 pages.

* cited by examiner

Primary Examiner — Catheri Oliver-Garcia

(74) *Attorney, Agent, or Firm* — Wei Wei Jeang; Grable Martin Fulton PLLC

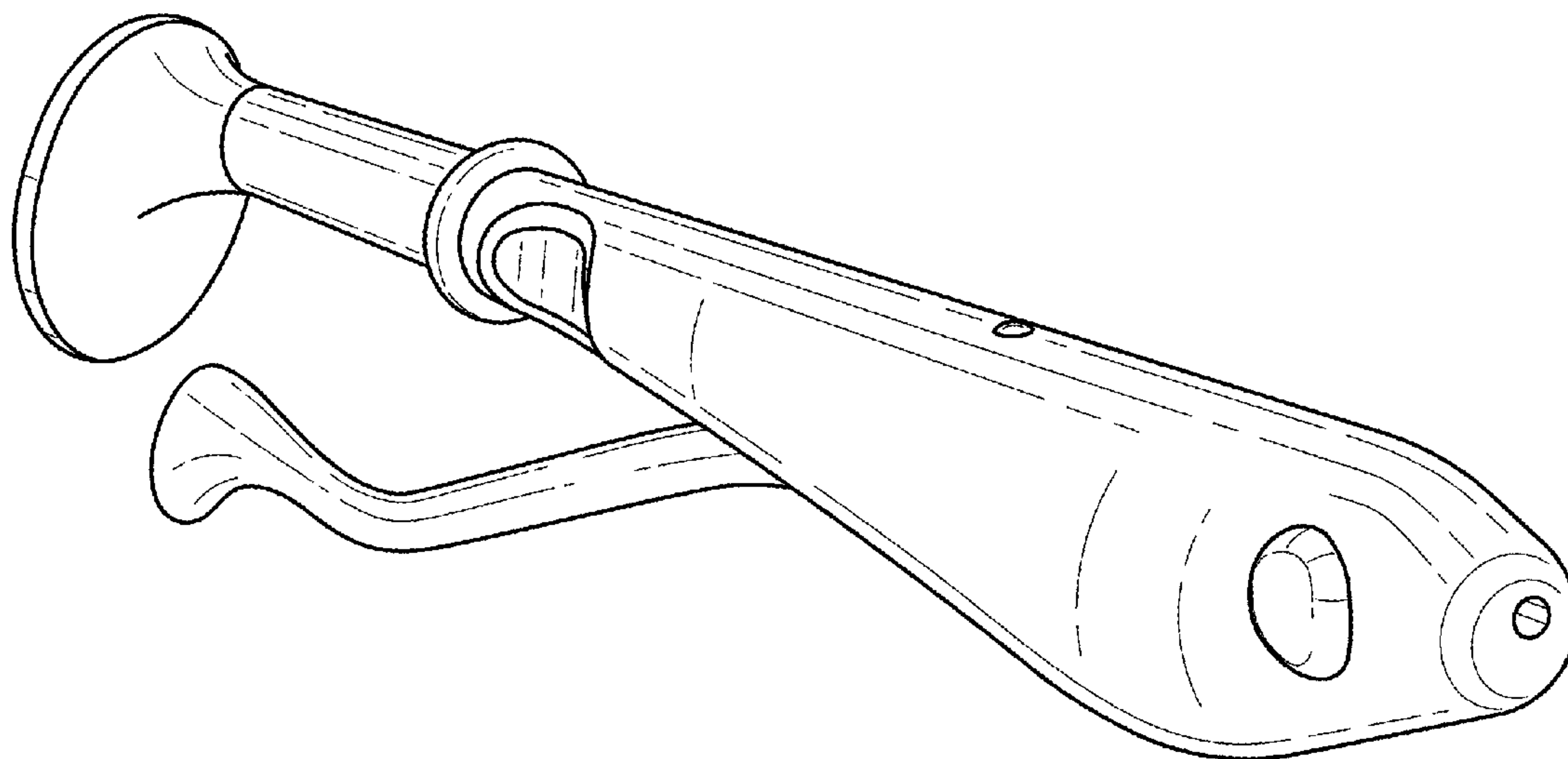
(57) **CLAIM**

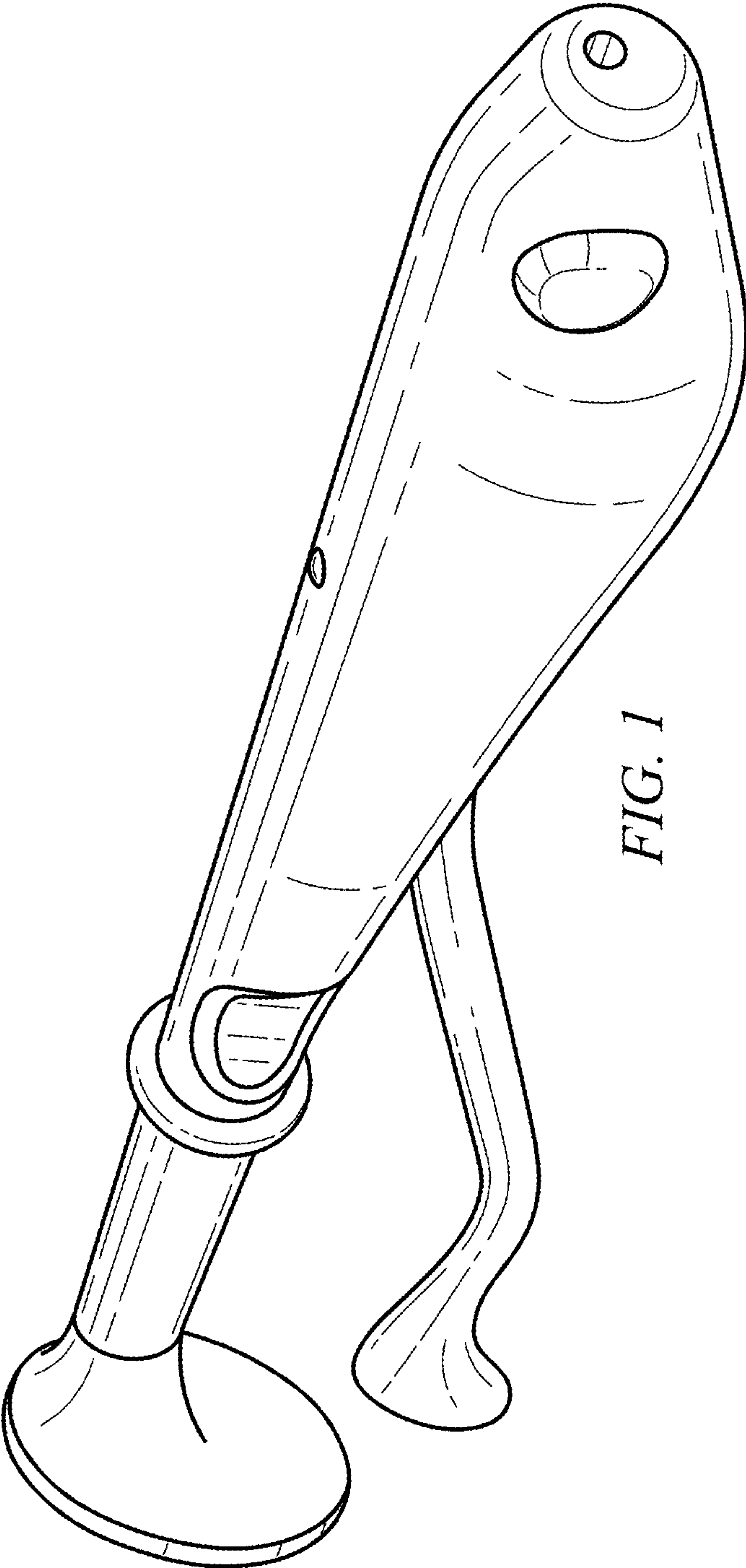
The ornamental design for a fishing lure, as shown and described.

DESCRIPTION

FIG. 1 is a front, top and side perspective view of a fishing lure that forms my new design;
FIG. 2 is a rear elevation view thereof;
FIG. 3 is a front elevation view thereof;
FIG. 4 is a side elevation view thereof;
FIG. 5 is an opposite side elevation view thereof;
FIG. 6 is a top plan view of an exemplary embodiment thereof; and,
FIG. 7 is a bottom plan view of an exemplary embodiment thereof.

1 Claim, 4 Drawing Sheets





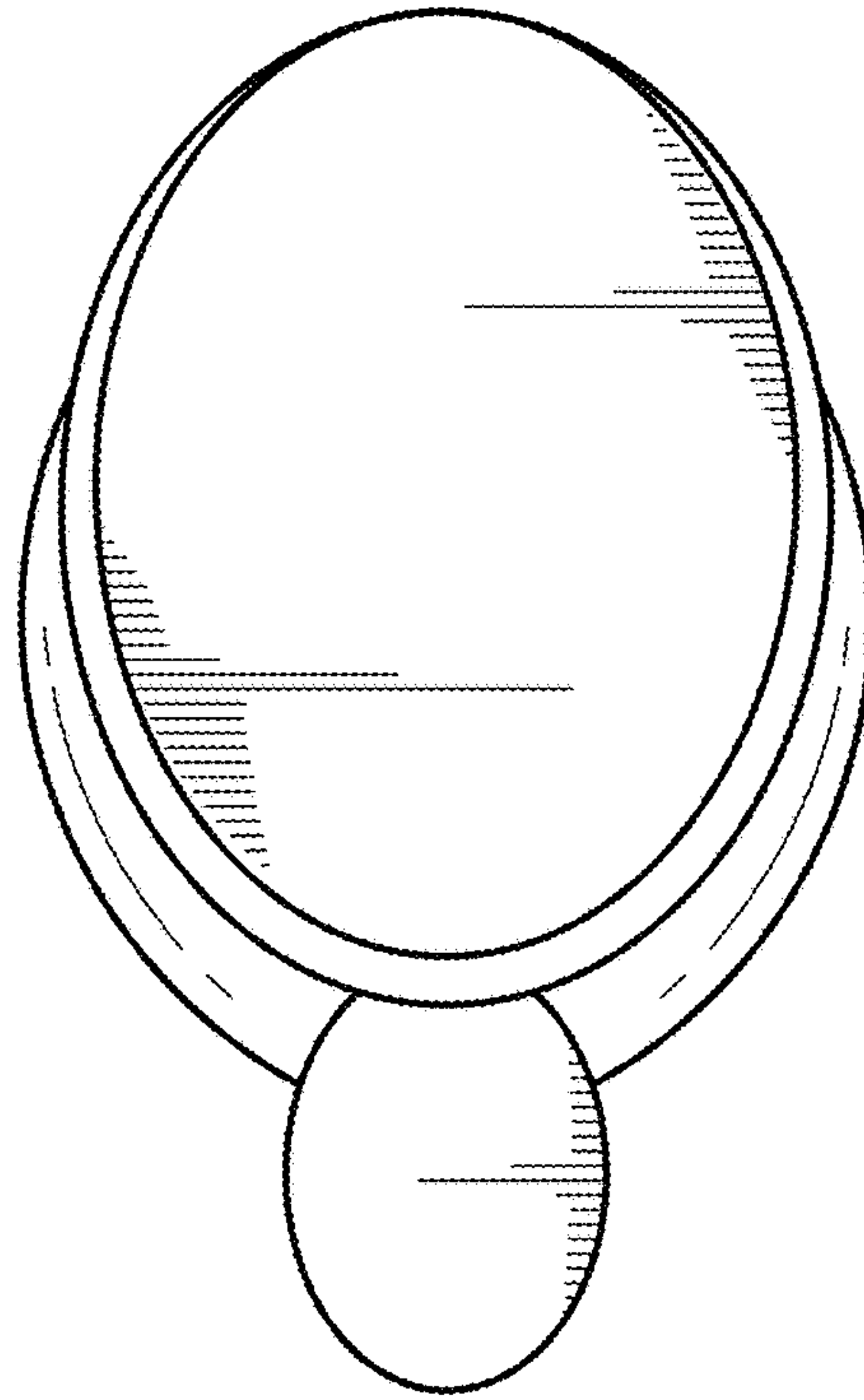


FIG. 2

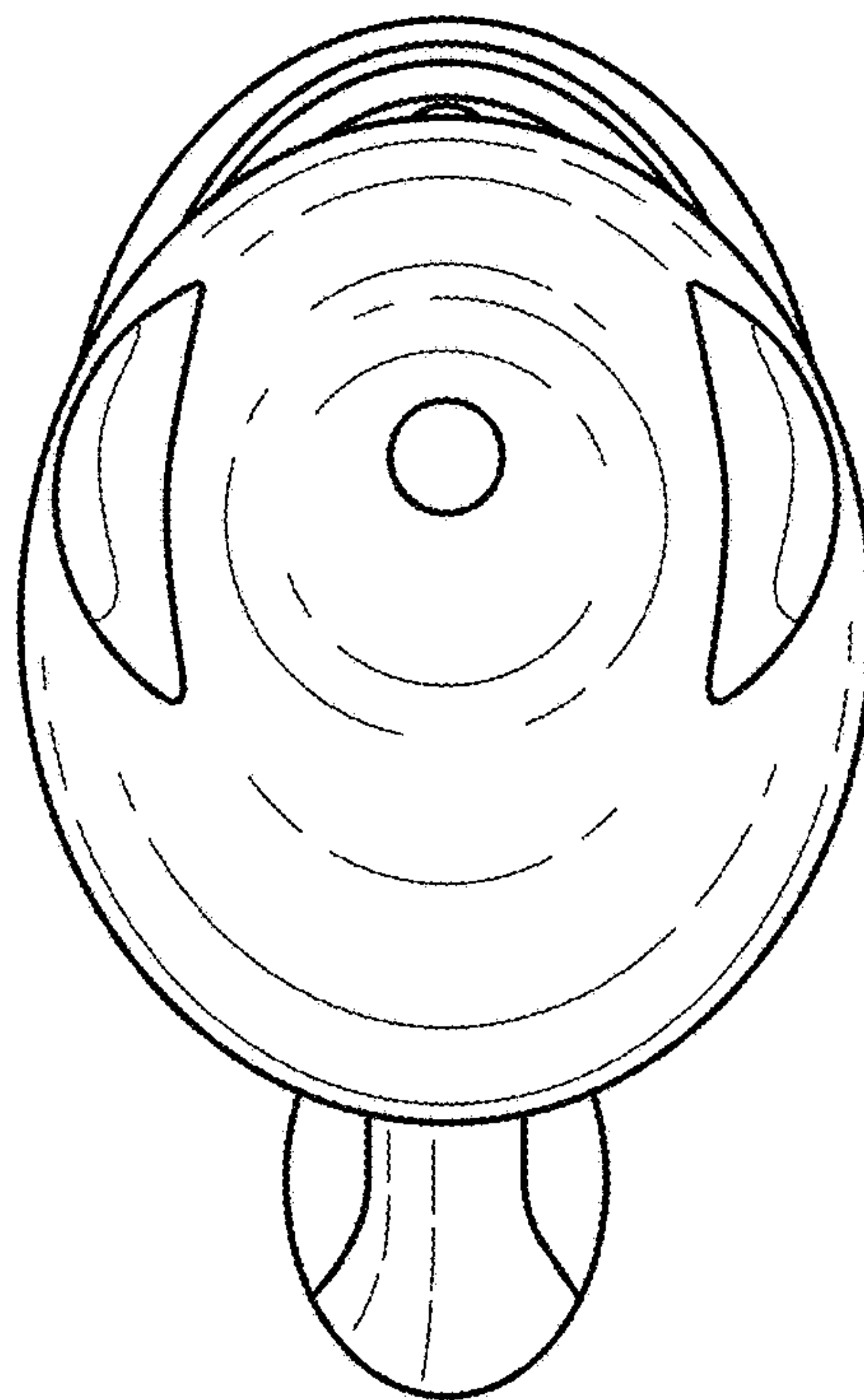


FIG. 3

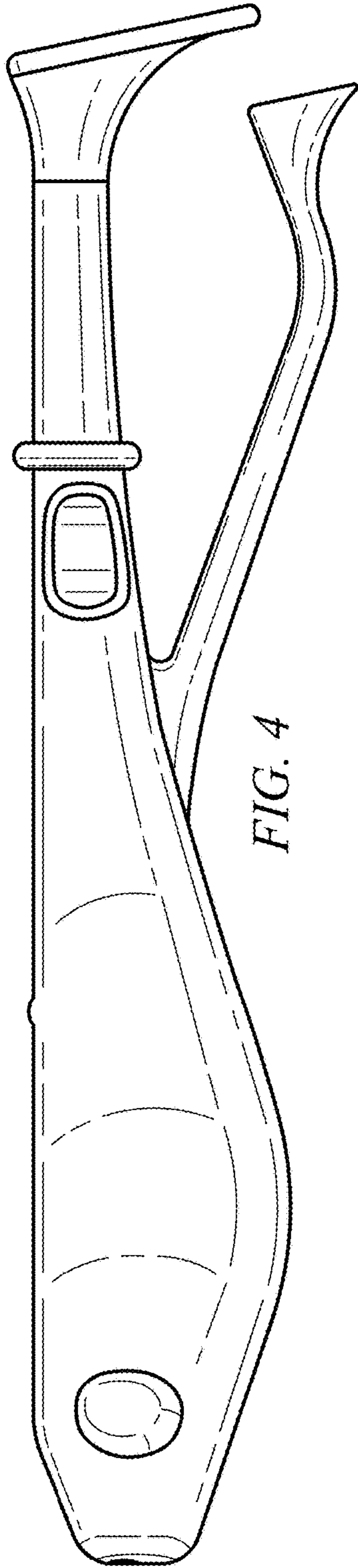


FIG. 4

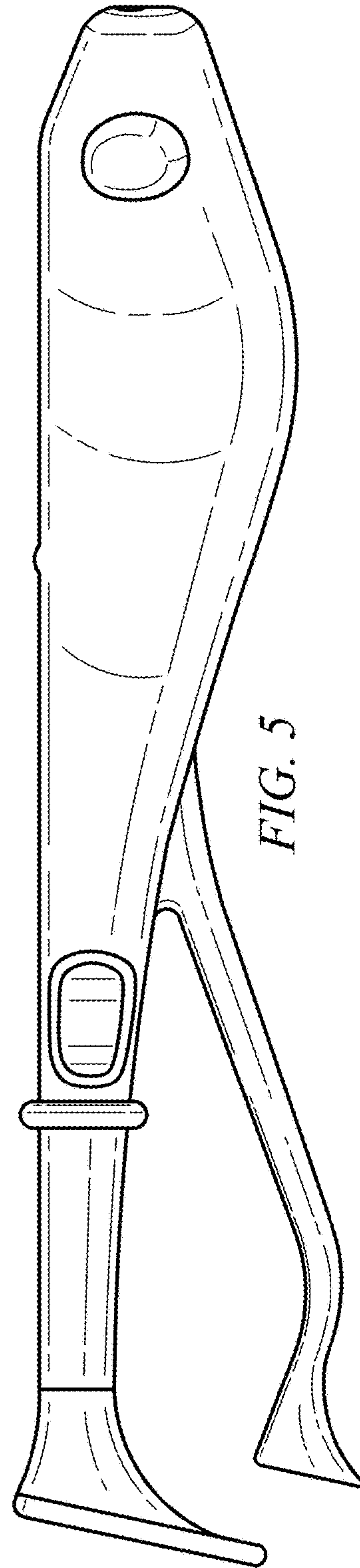


FIG. 5

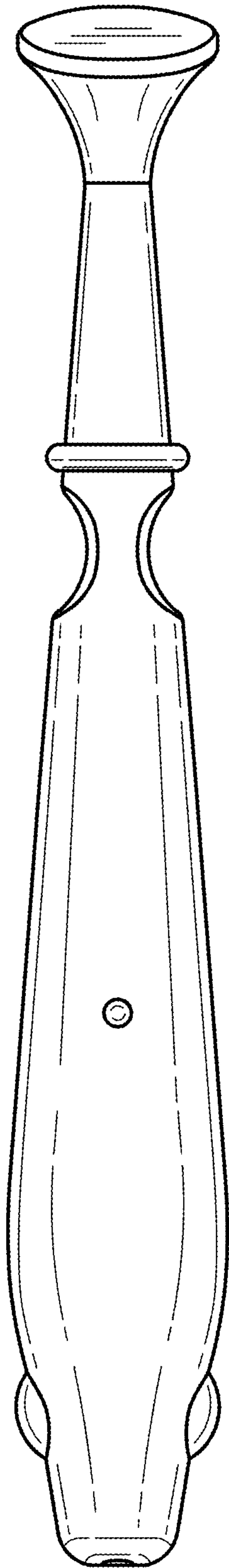


FIG. 6

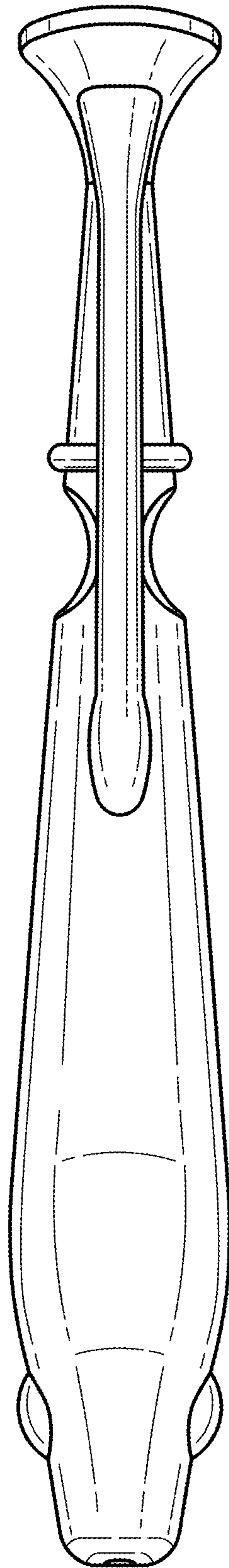


FIG. 7