



US00D785746S

(12) **United States Design Patent** (10) **Patent No.:** **US D785,746 S**
Burton et al. (45) **Date of Patent:** **** May 2, 2017**

- (54) **KNIFE**
- (71) Applicant: **Barebones Systems, LLC**, Bluffdale, UT (US)
- (72) Inventors: **David Jared Burton**, Payson, UT (US); **Michelle Ann Merrill**, Draper, UT (US); **Erik Robert Workman**, Salt Lake City, UT (US); **Robert Emmett Workman**, Morgan, UT (US)
- (73) Assignee: **BAREBONES SYSTEMS, LLC**, Bluffdale, UT (US)
- (**) Term: **15 Years**
- (21) Appl. No.: **29/534,736**
- (22) Filed: **Jul. 30, 2015**
- (51) **LOC (10) Cl.** **22-02**
- (52) **U.S. Cl.**
USPC **D22/118**
- (58) **Field of Classification Search**
USPC D7/395, 401.2, 649, 650, 664; D8/5, 7, D8/9, 12, 17, 18, 19, 41, 80, 99, 107; D21/568; D22/117, 118
CPC B26B 1/04; B26B 5/00; B26B 3/00; B25G 3/02; B25G 1/10
See application file for complete search history.

- D660,676 S * 5/2012 Yang-Fu D8/99
- D661,367 S * 6/2012 Seeds D22/118
- D670,149 S * 11/2012 Yang-Fu D8/99
- D672,842 S * 12/2012 Pelton D22/118
- D679,975 S * 4/2013 Pelton D22/118
- D698,406 S * 1/2014 Ameis D22/118
- D699,315 S * 2/2014 Seeds D22/118
- D700,675 S * 3/2014 Seeds D22/118
- D709,982 S * 7/2014 Freeman D22/118
- D711,693 S * 8/2014 Cheney D7/401.2
- D730,117 S * 5/2015 Hiltenbrand D7/401.2
- D740,641 S * 10/2015 Pelton D8/99
- D745,106 S * 12/2015 Lu D22/118
- D746,407 S * 12/2015 Lu D22/118
- D749,187 S * 2/2016 Pirrone D22/118
- D749,915 S * 2/2016 Haas D7/649
- D750,948 S * 3/2016 Pelton D8/99
- D752,704 S * 3/2016 Ma D22/118
- D752,919 S * 4/2016 Chen D7/401.2

(Continued)

Primary Examiner — Manpreet Matharu
Assistant Examiner — Suzanne Tisdell
(74) *Attorney, Agent, or Firm* — Morriss O’Bryant Compagni, PC

(57) **CLAIM**

The ornamental design for a knife, as shown and described.

DESCRIPTION

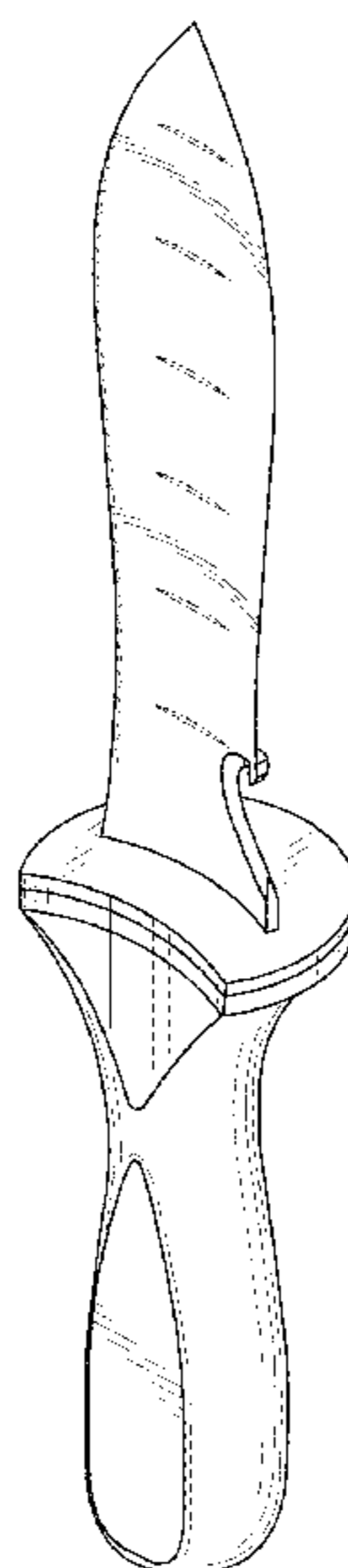
FIG. 1 is a perspective front side view of a knife of the present invention;
FIG. 2 is a front side view of the knife;
FIG. 3 is a back side view of the knife;
FIG. 4 is a left side view of the knife;
FIG. 5 is a right side view of the knife;
FIG. 6 is a top side view of the knife; and,
FIG. 7 is a bottom side view of the knife.
The broken lines shown in the drawings represent unclaimed portions of the article and form no part of the claimed design.

1 Claim, 4 Drawing Sheets

(56) **References Cited**

U.S. PATENT DOCUMENTS

- 5,528,834 A * 6/1996 Seber B26B 3/06 30/340
- D548,814 S * 8/2007 Fuller D22/118
- D582,243 S * 12/2008 Freeman D8/107
- D610,646 S * 2/2010 Harsey, Jr. D22/118
- D632,154 S * 2/2011 Yang-Fu D8/99
- D636,051 S * 4/2011 Freeman D22/118
- D638,904 S * 5/2011 Freeman D22/118



(56)

References Cited

U.S. PATENT DOCUMENTS

D755,343 S * 5/2016 Freeman D22/118
D756,193 S * 5/2016 Horvath D8/99
D761,923 S * 7/2016 Ueda D21/402
2012/0304470 A1* 12/2012 Freeman B26B 1/046
30/159
2015/0239136 A1* 8/2015 Taylor B25G 1/102
30/165
2016/0052151 A1* 2/2016 Chu B26B 1/04
30/161

* cited by examiner

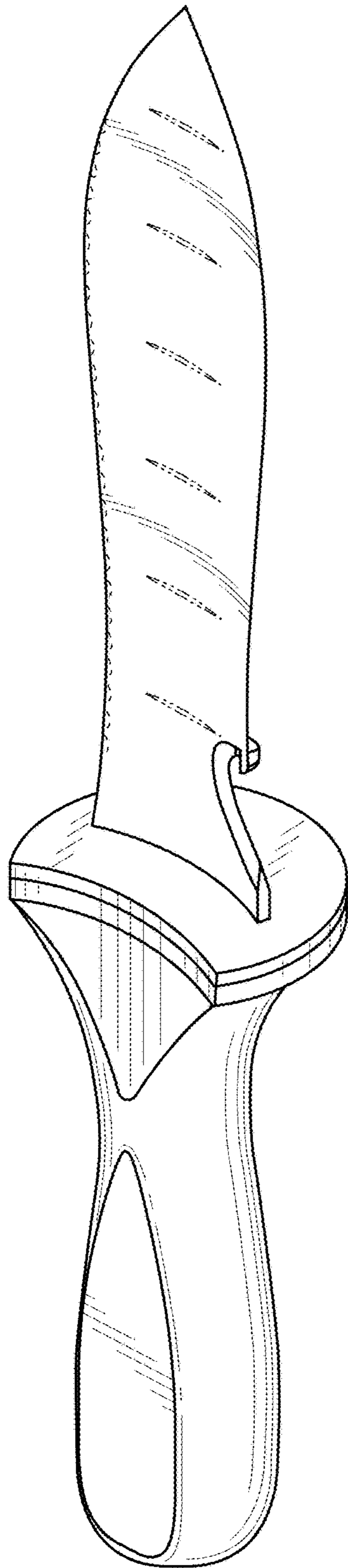


FIG. 1

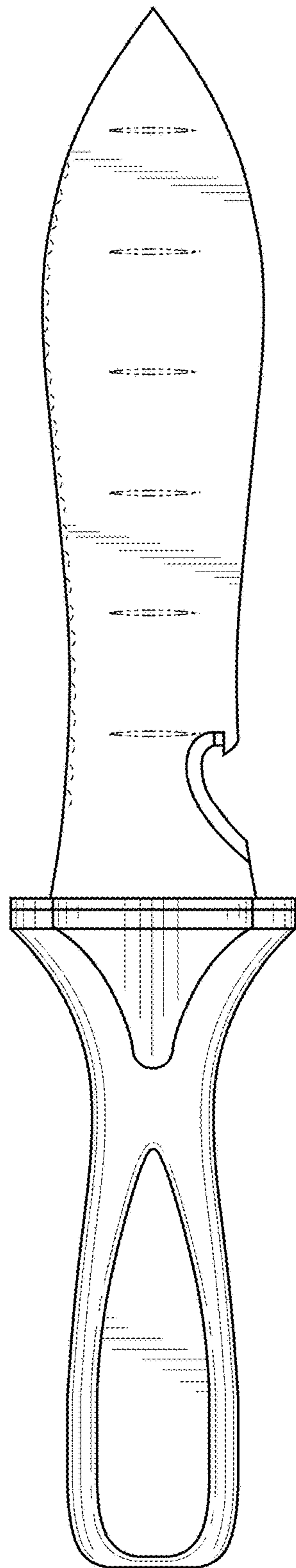


FIG. 2

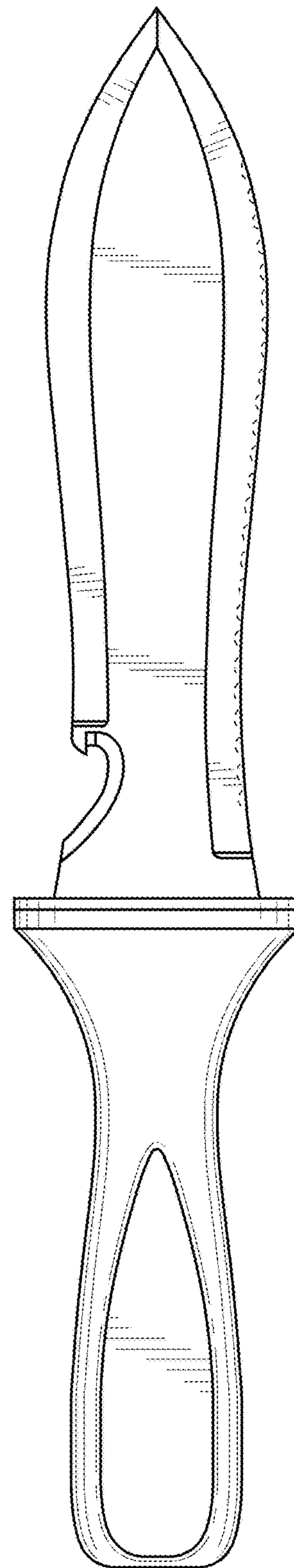


FIG. 3

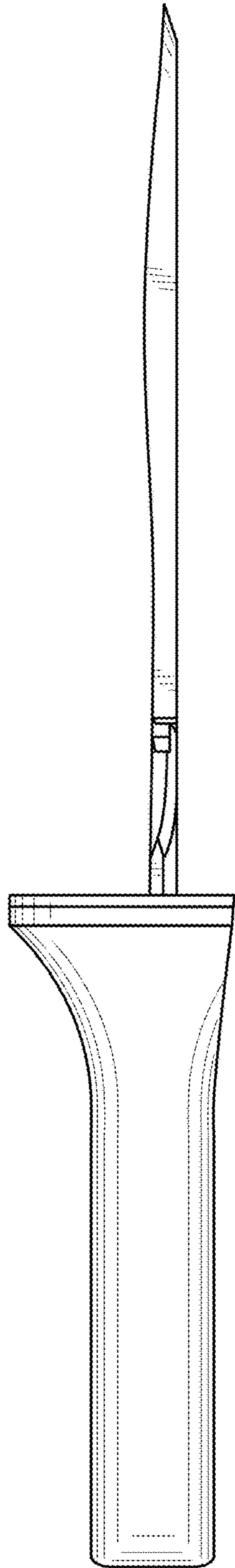


FIG. 4

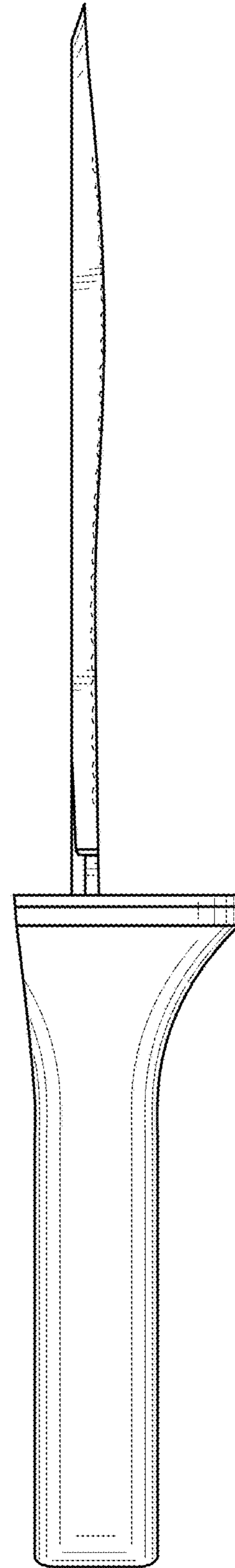


FIG. 5

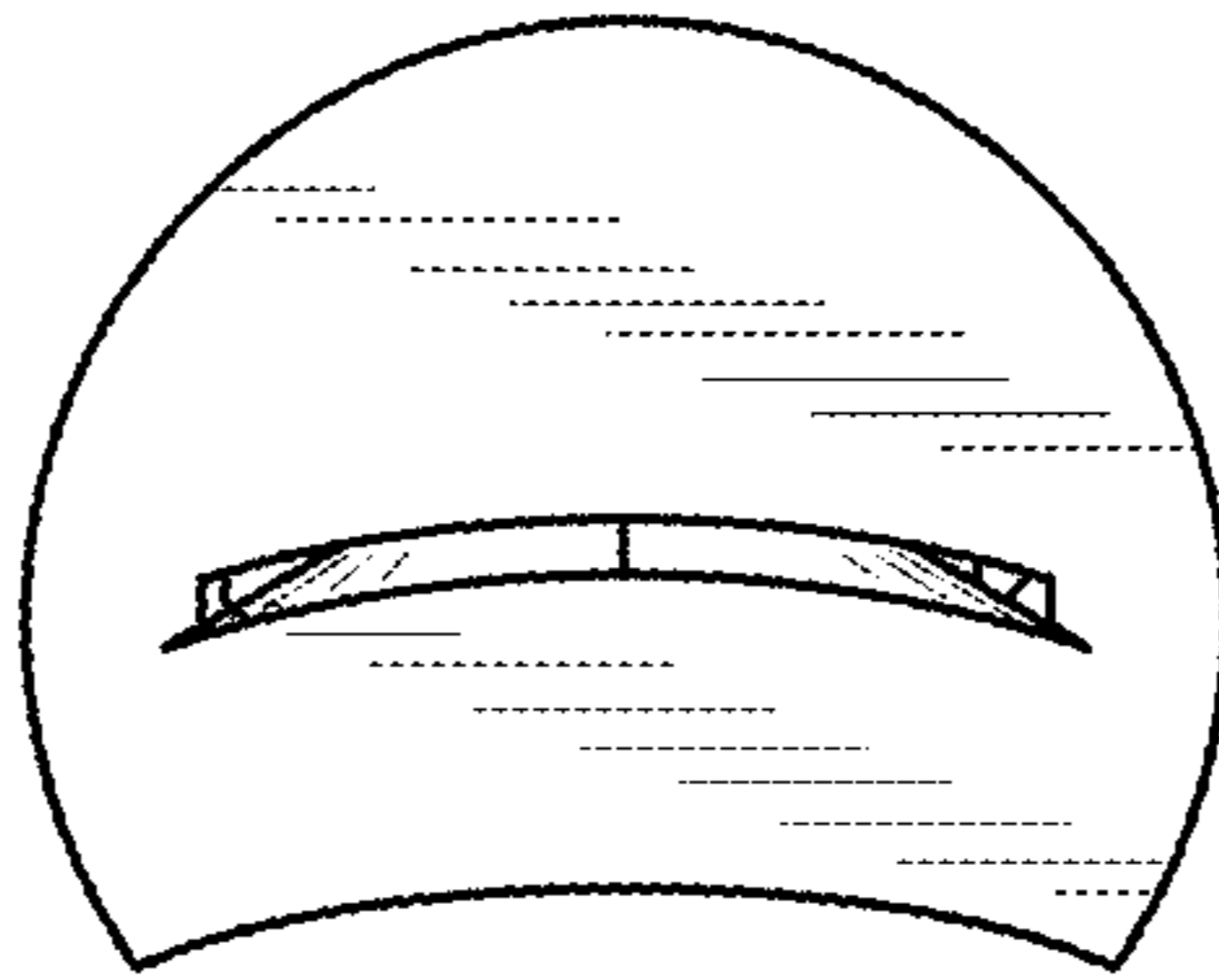


FIG. 6

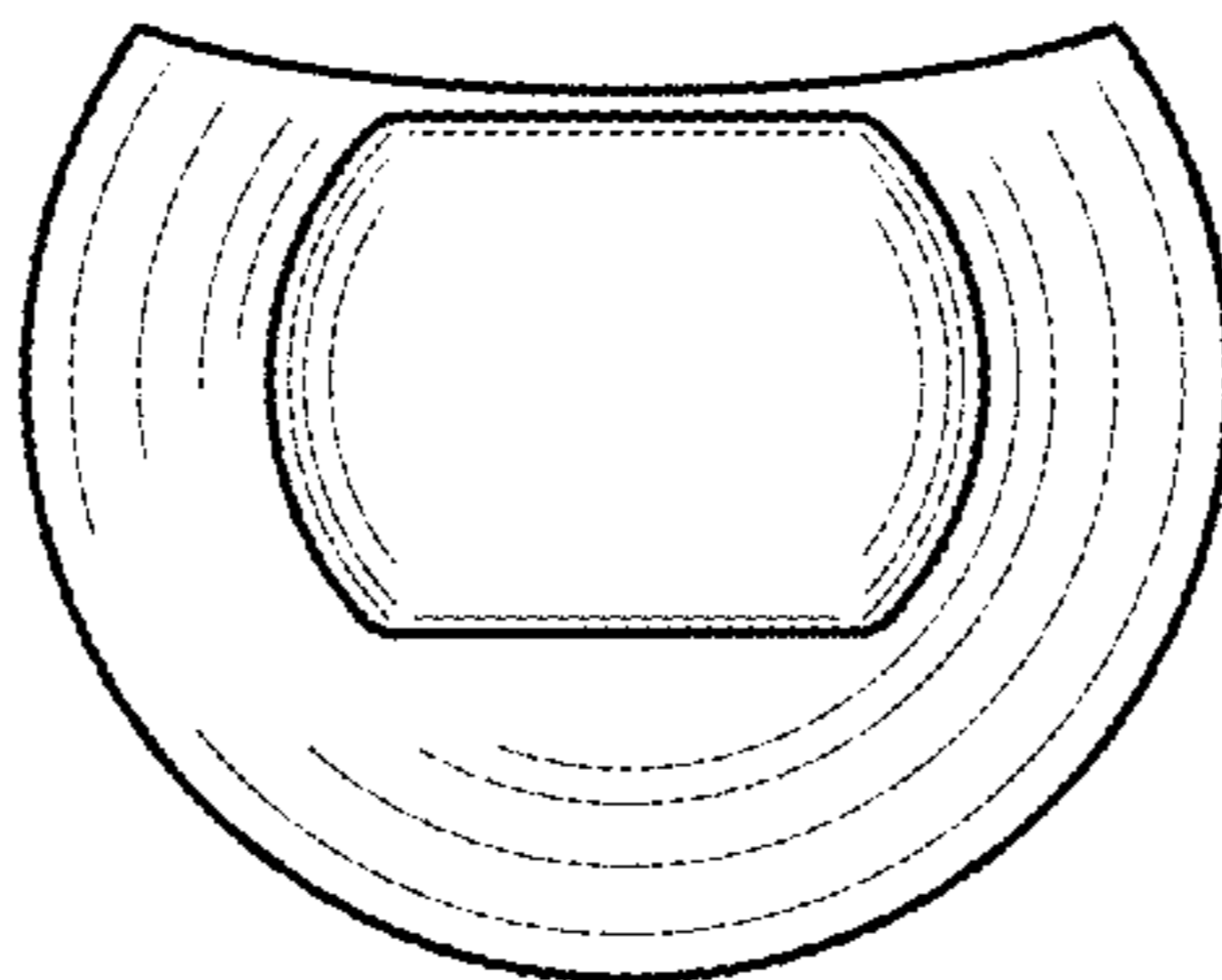


FIG. 7