



US00D785745S

(12) **United States Design Patent**
McKillips

(10) **Patent No.:** **US D785,745 S**

(45) **Date of Patent:** **** May 2, 2017**

(54) **FIREARM ACCESSORY MOUNT**

(71) Applicant: **WHG Properties, LLC**, North Wales, PA (US)

(72) Inventor: **Neal McKillips**, Drexel Hill, PA (US)

(73) Assignee: **WHG Properties, LLC**, North Wales, PA (US)

(**) Term: **15 Years**

(21) Appl. No.: **29/552,111**

(22) Filed: **Jan. 20, 2016**

(51) **LOC (10) Cl.** **22-01**

(52) **U.S. Cl.**

USPC **D22/109**

(58) **Field of Classification Search**

USPC D22/109, 110, 199; D16/132, 130, 133,
D16/330, 134; 42/111, 133, 119, 122;
359/744

CPC F41A 3/00; G02B 13/00

See application file for complete search history.

(56) **References Cited**

U.S. PATENT DOCUMENTS

D637,260 S	*	5/2011	Swan	D22/109
D672,839 S	*	12/2012	Ding	D22/109
D716,410 S	*	10/2014	Wallgren	D22/109
D760,863 S	*	7/2016	Wallgren	D22/109

OTHER PUBLICATIONS

AIM Surplus, Geissele Super Precision—T1 Series Scope Mount, Publication date unknown, [site visited Feb. 22, 2017], Availabel on

the Internet URL: <<http://www.aimsurplus.com/product.aspx?groupid=6840&name=Geissele+Super+Precision+---T1+Series+Scope+Mount>>.*

* cited by examiner

Primary Examiner — Susan Bennett Hattan

Assistant Examiner — S. Bryan Reinholdt, Jr.

(74) *Attorney, Agent, or Firm* — Merchant & Gould, PC

(57) **CLAIM**

The ornamental design for a firearm accessory mount, as shown and described.

DESCRIPTION

FIG. 1 is an isometric view of a firearm accessory mount in accordance with the present disclosure;

FIG. 2 is a further isometric view of the firearm accessory mount of FIG. 1;

FIG. 3 is a right side elevation view of the firearm accessory mount of FIG. 1;

FIG. 4 is a left side elevation view of the firearm accessory mount of FIG. 1;

FIG. 5 is a top view of the firearm accessory mount of FIG. 1;

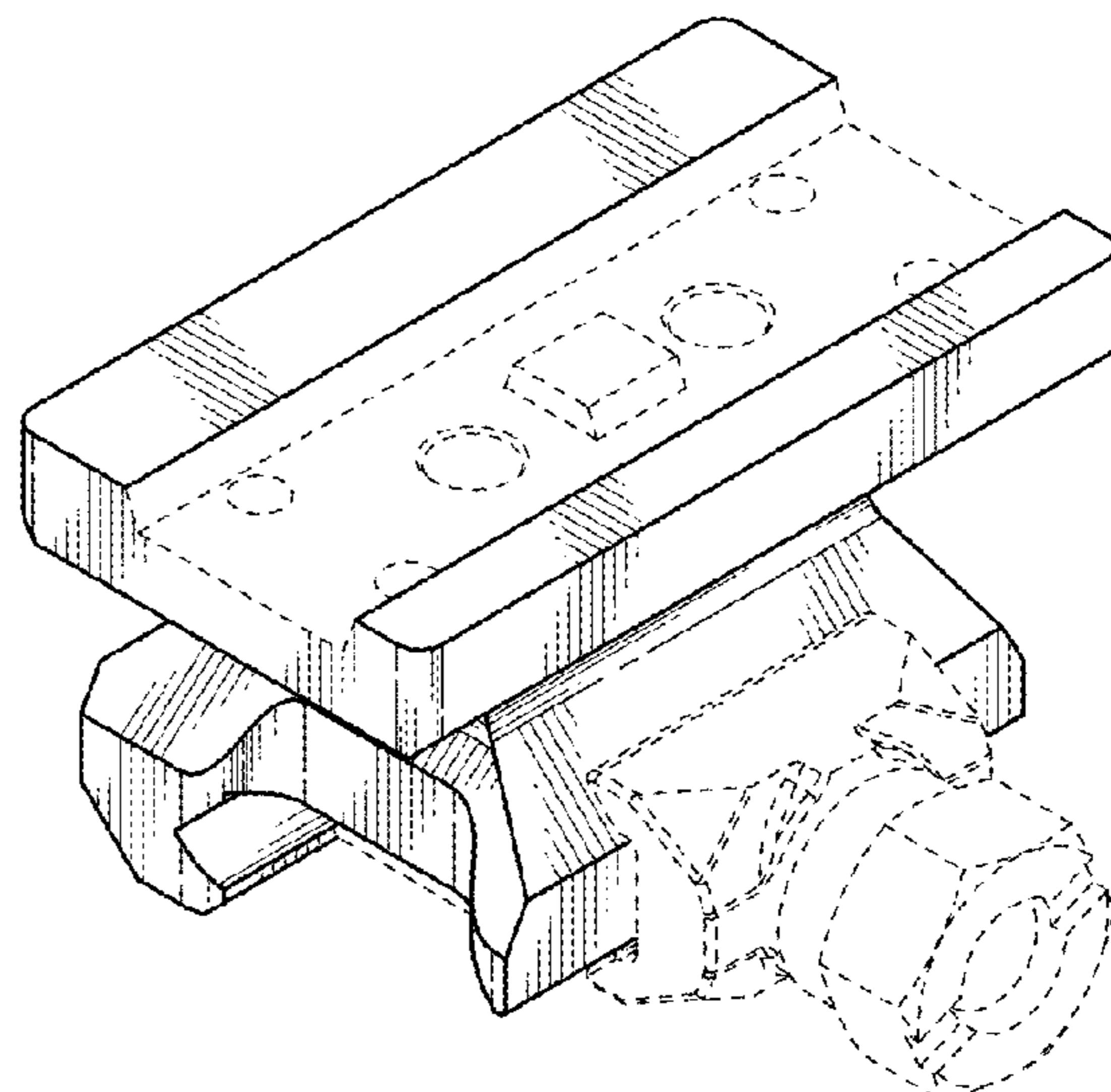
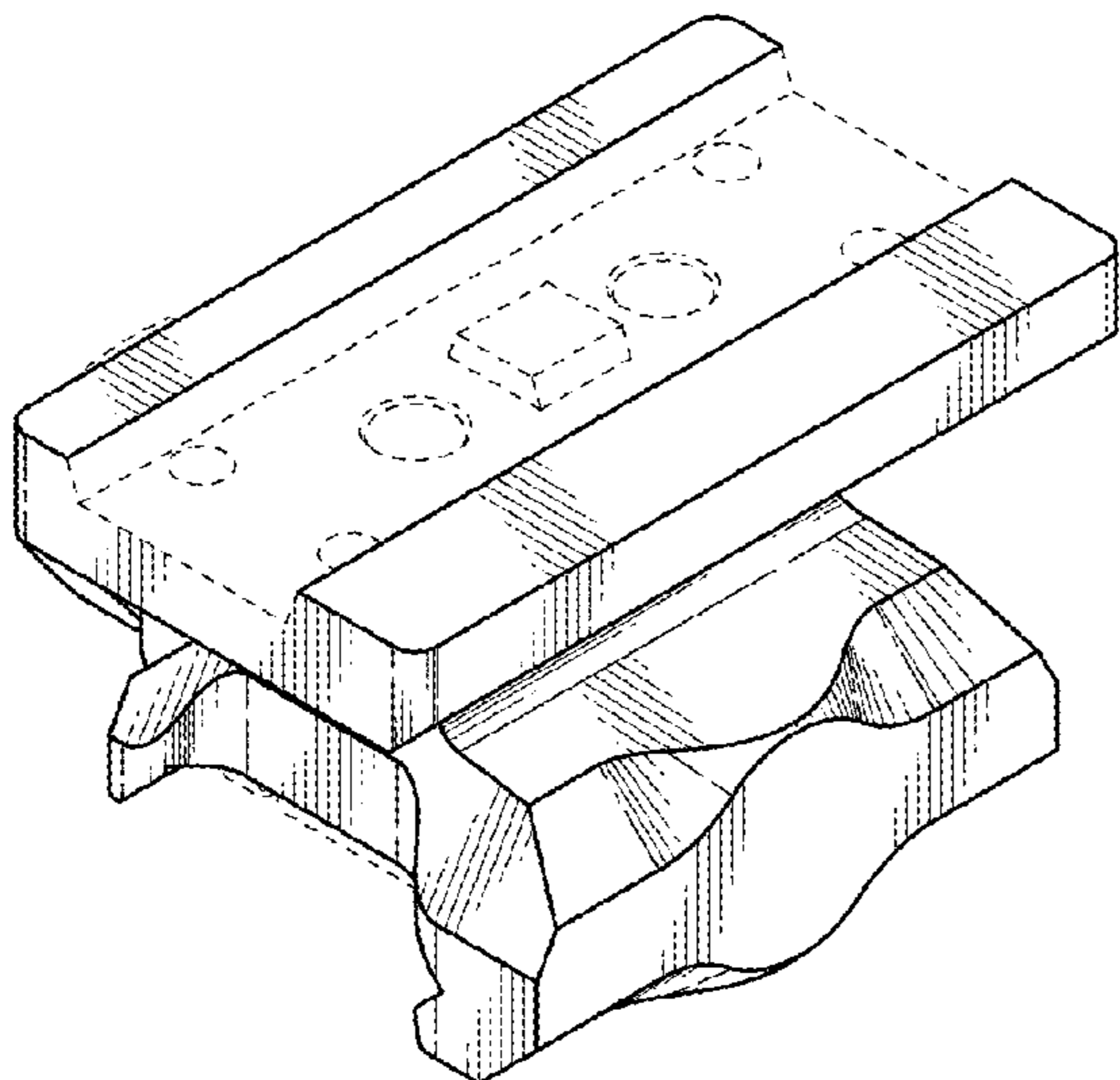
FIG. 6 is a bottom view of the firearm accessory mount of FIG. 1;

FIG. 7 is a rear elevation view of the firearm accessory mount of FIG. 1; and,

FIG. 8 is a front elevation view of the firearm accessory mount of FIG. 1.

The broken lines represent portions of the firearm accessory mount that form no part of the claimed design.

1 Claim, 3 Drawing Sheets



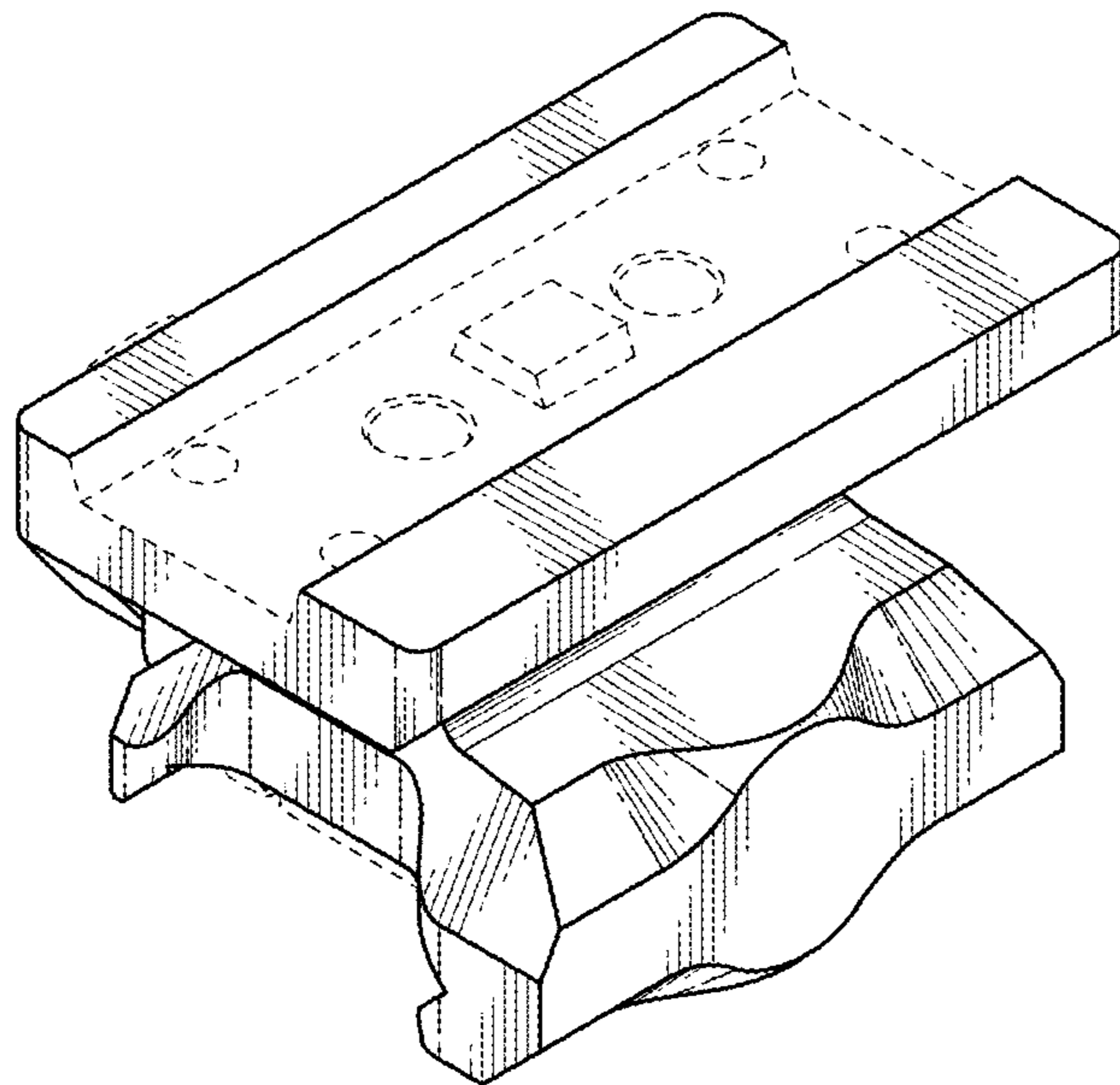


FIG. 1

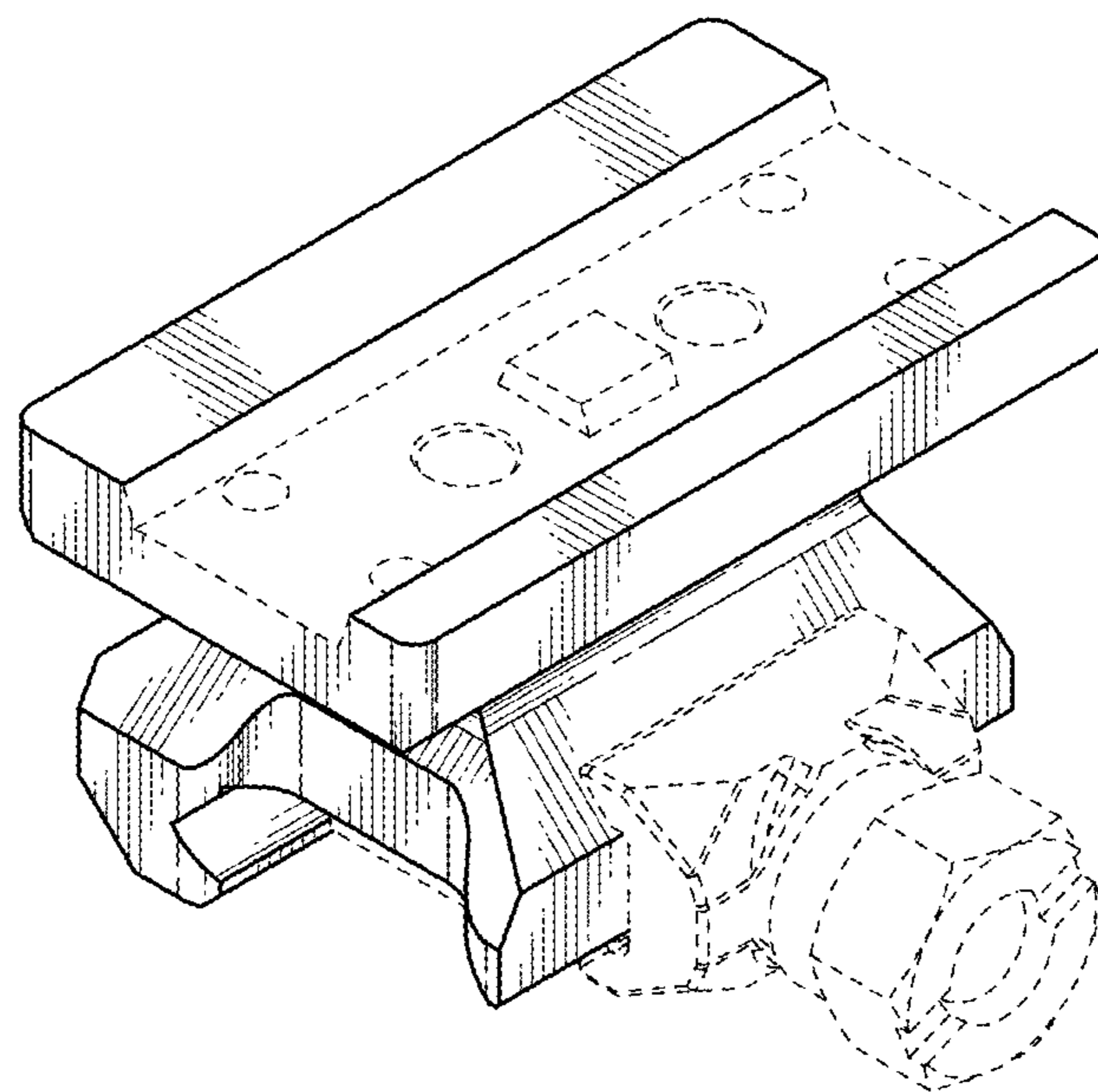


FIG. 2

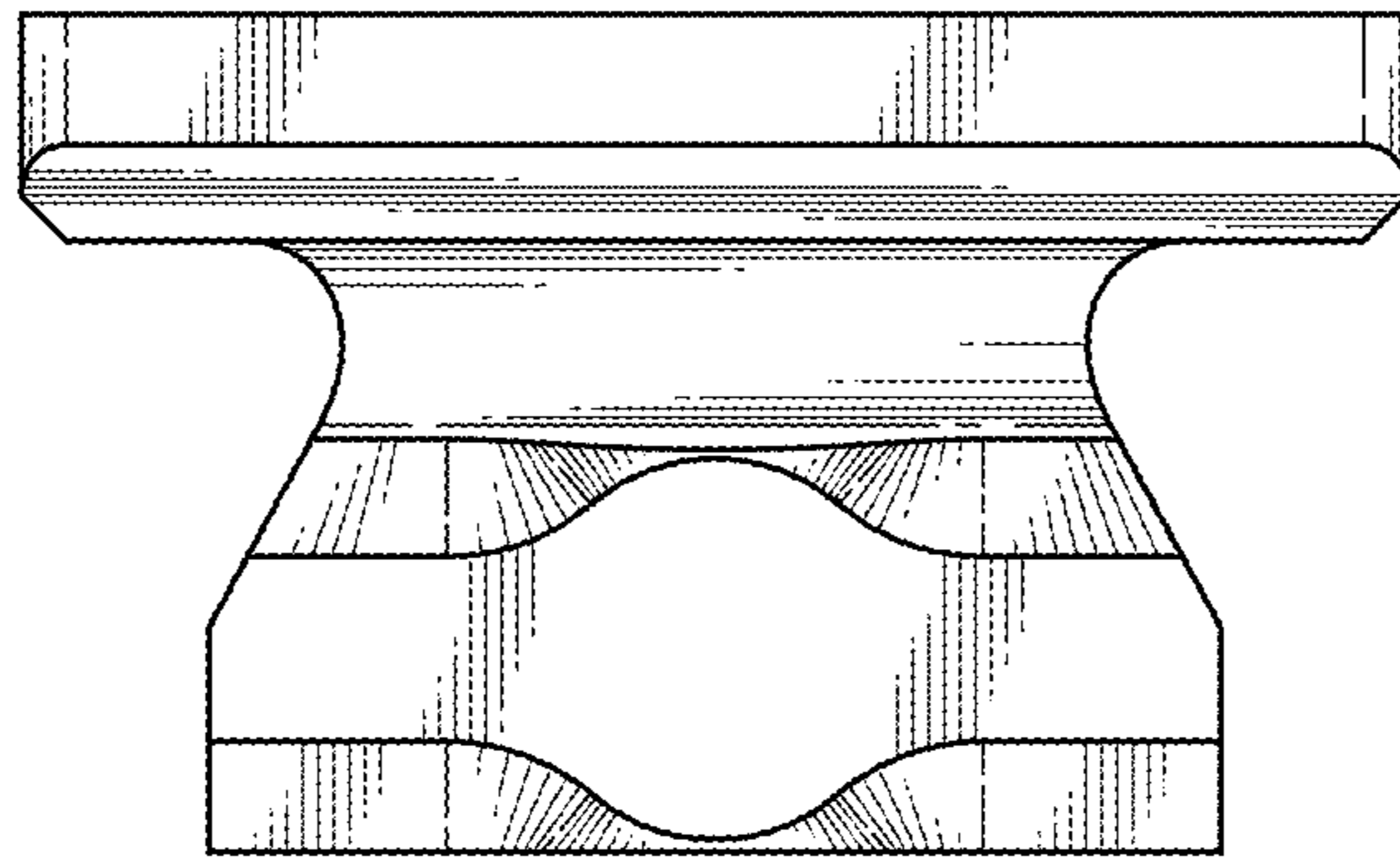


FIG. 3

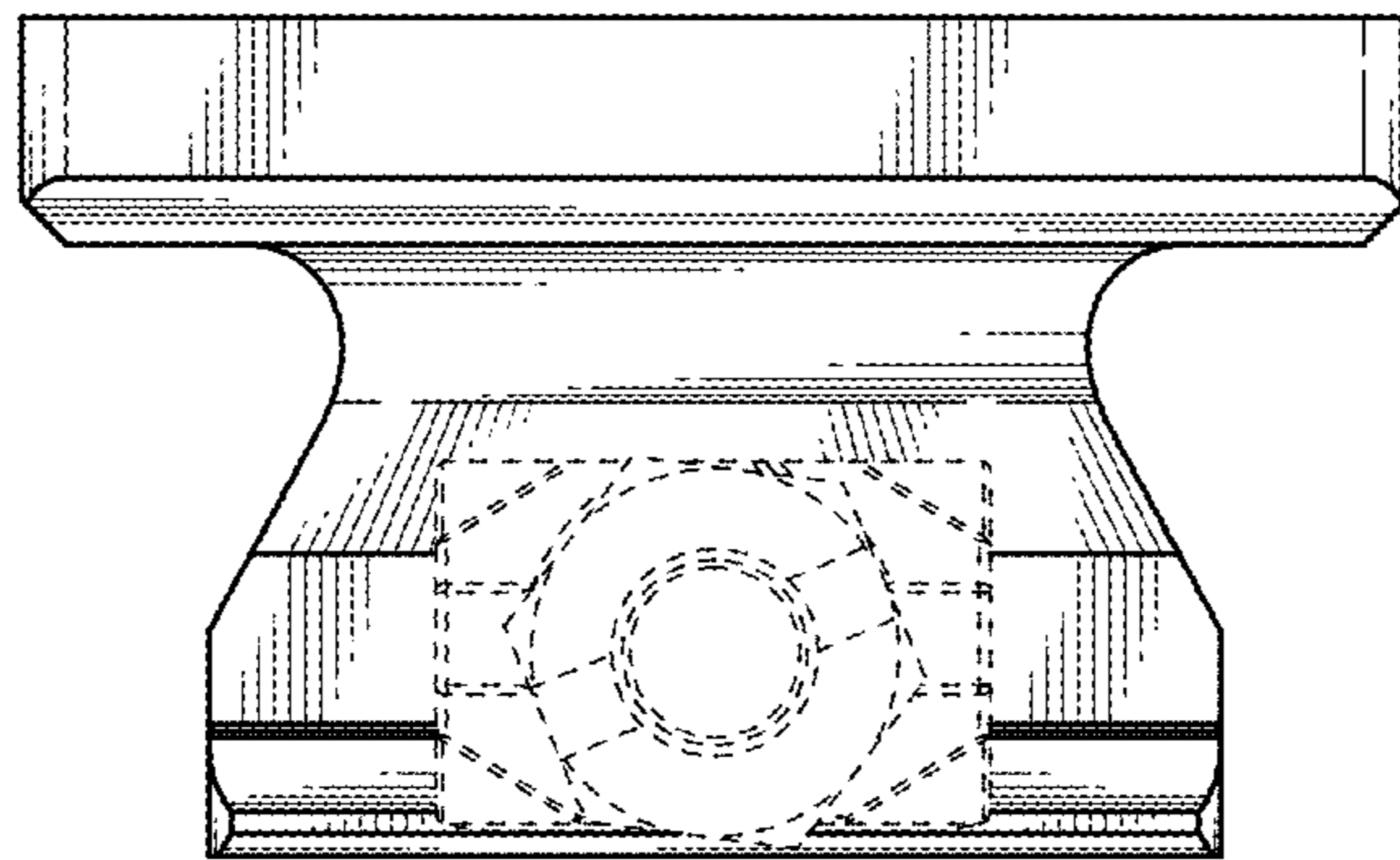


FIG. 4

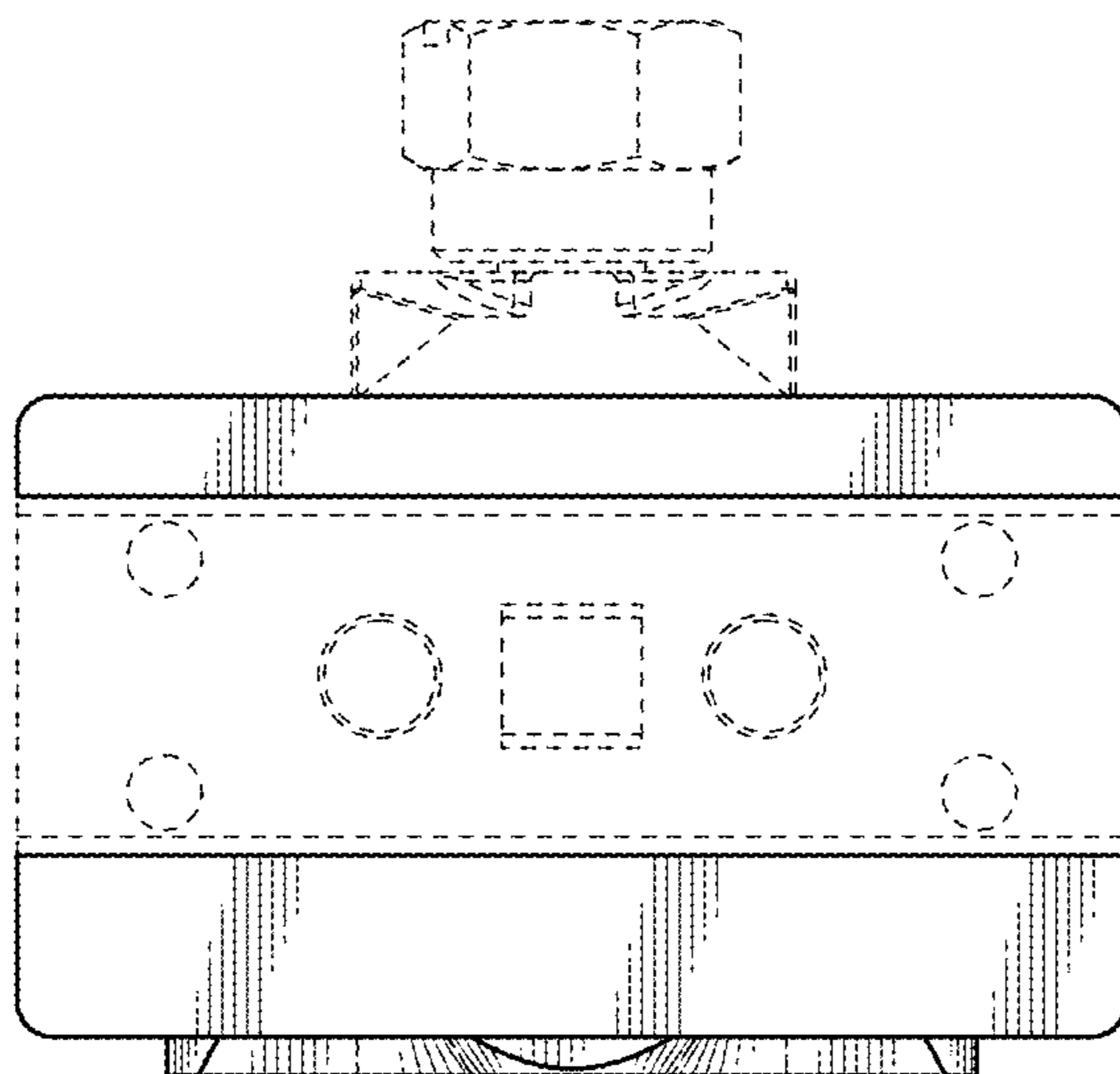


FIG. 5

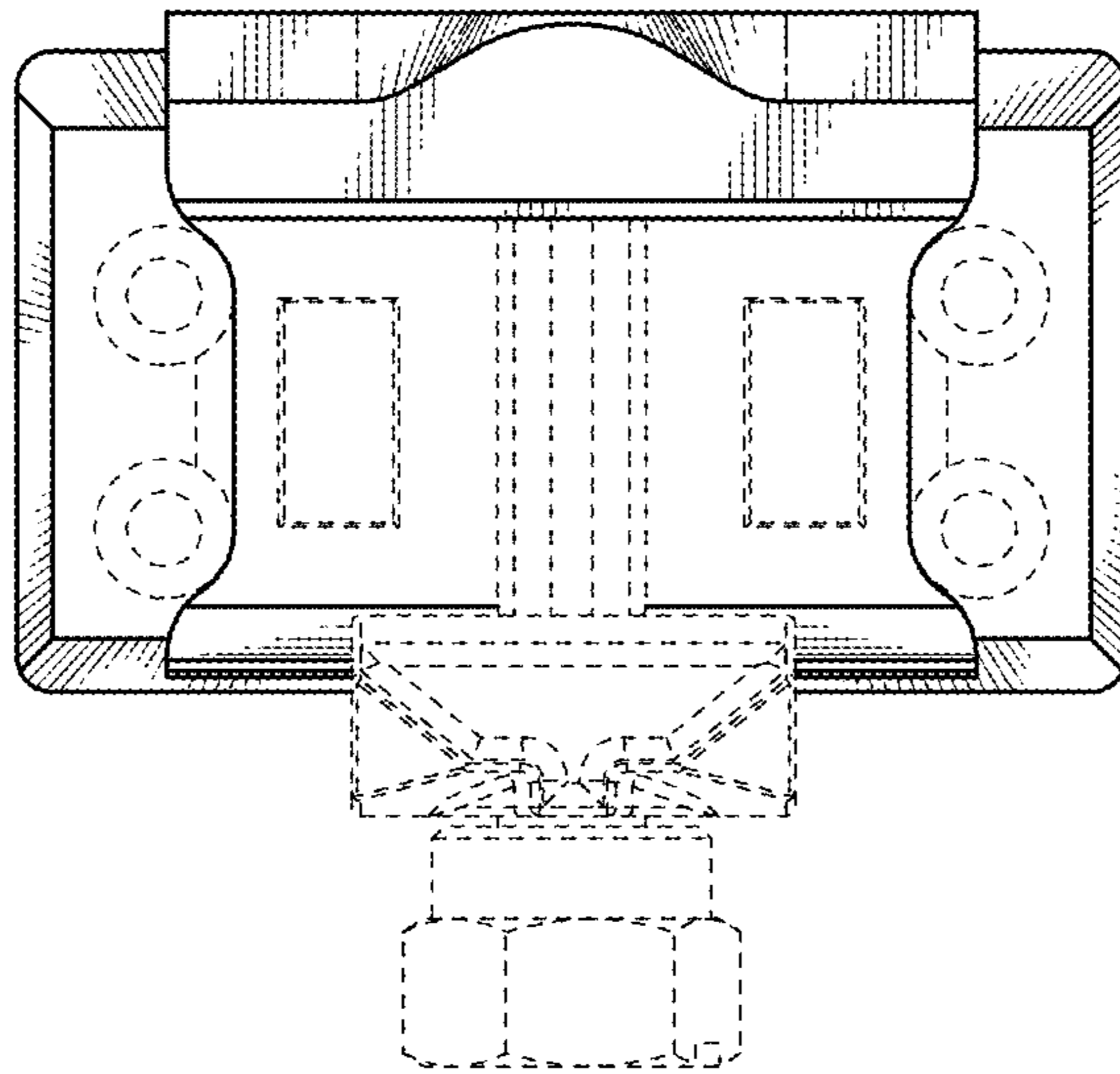


FIG. 6

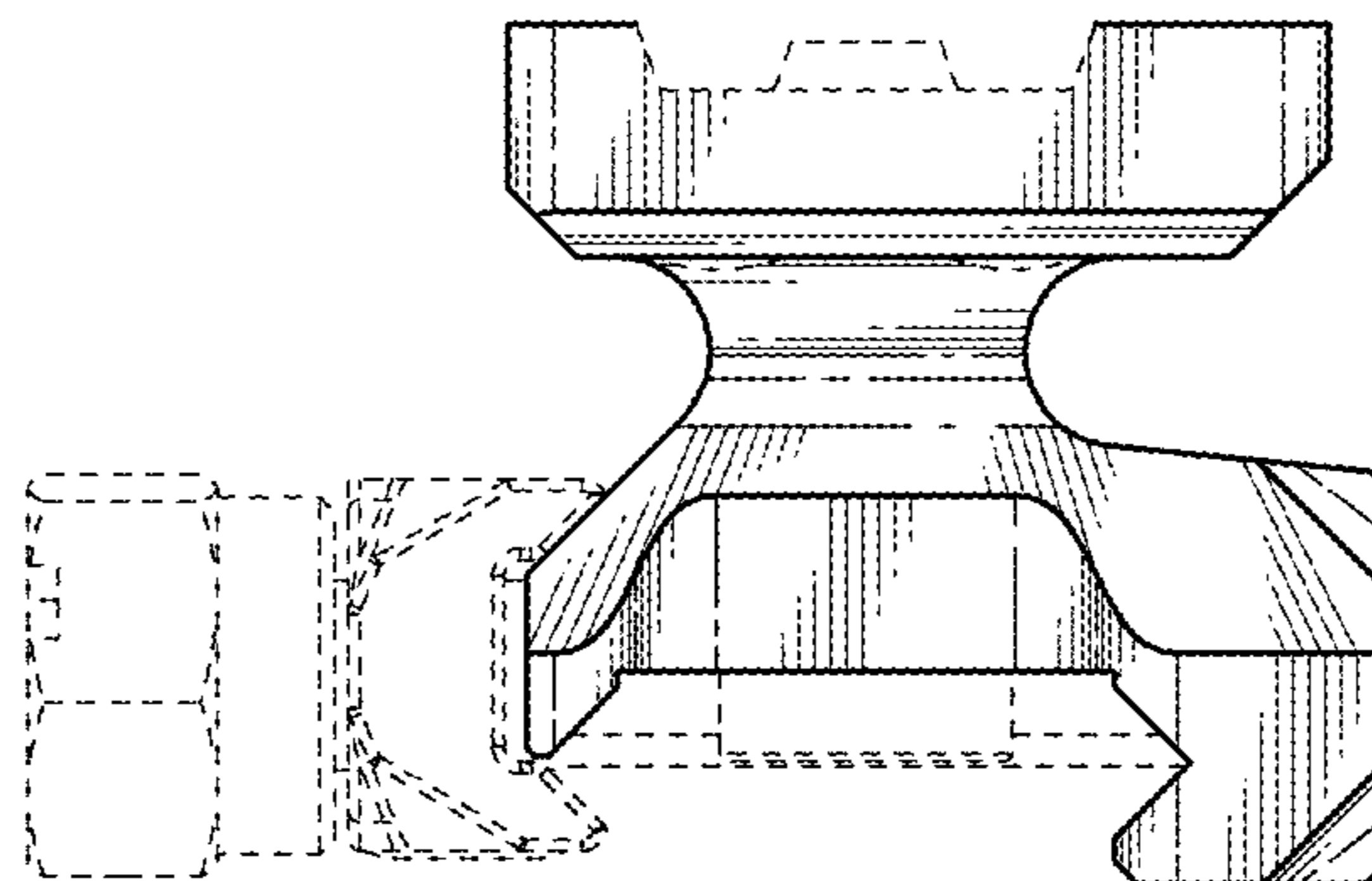


FIG. 7

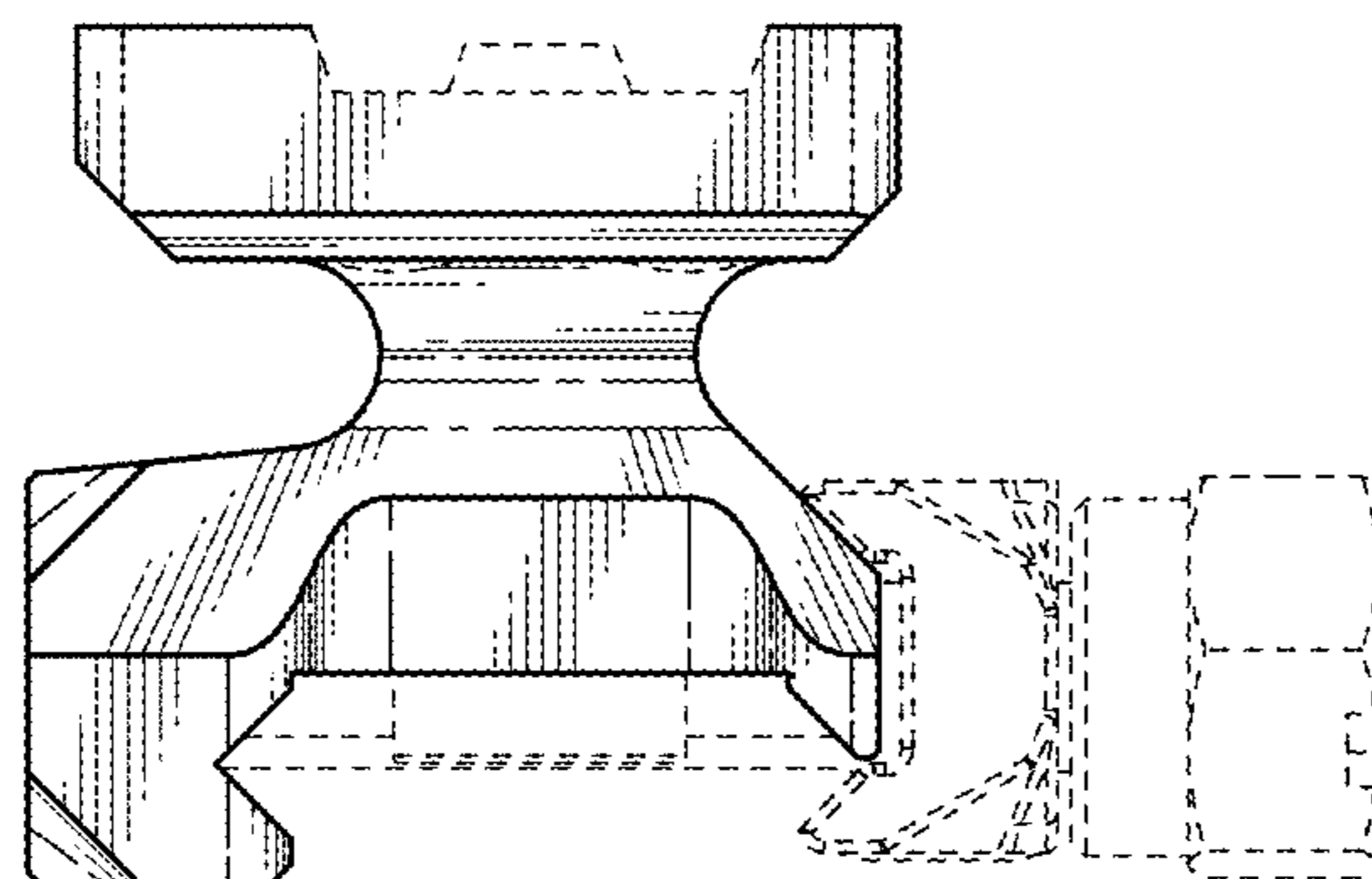


FIG. 8