



US00D785744S

(12) **United States Design Patent**
Bosco et al.

(10) **Patent No.:** **US D785,744 S**

(45) **Date of Patent:** **** May 2, 2017**

(54) **FIREARM FOREGRIP**

(71) Applicant: **NST Global, LLC**, St. Petersburg, FL (US)

(72) Inventors: **Alessandro Roberto Bosco**, St. Petersburg, FL (US); **Lee Bridges**, Clearwater, FL (US)

(73) Assignee: **NST Global, LLC**, St. Petersburg, FL (US)

(**) Term: **15 Years**

(21) Appl. No.: **29/553,611**

(22) Filed: **Feb. 3, 2016**

(51) **LOC (10) Cl.** **22-01**

(52) **U.S. Cl.**
USPC **D22/108**

(58) **Field of Classification Search**
USPC D22/103, 108, 199
CPC F41C 23/10; F41C 23/14; F41C 23/16;
F41C 23/18
See application file for complete search history.

(56) **References Cited**

U.S. PATENT DOCUMENTS

5,027,542 A	7/1991	Simonetti
D643,497 S	8/2011	Fitzpatrick et al.
D665,043 S	8/2012	Fitzpatrick et al.
D692,515 S	10/2013	Galloway et al.
D693,424 S	11/2013	Wristen

D698,405 S	1/2014	Kline	
D698,885 S	2/2014	Faifer	
D718,405 S *	11/2014	Fitzpatrick D22/108
D728,054 S	4/2015	Webber	
D745,629 S	12/2015	Barfoot et al.	
D751,164 S *	3/2016	Fitzpatrick D22/108
D768,253 S *	10/2016	Bender D22/108
2011/0107643 A1	5/2011	Fitzpatrick et al.	
2015/0121737 A1	5/2015	Anderson	

* cited by examiner

Primary Examiner — Susan Bennett Hattan

Assistant Examiner — S. Bryan Reinholdt, Jr.

(74) *Attorney, Agent, or Firm* — Maxey Law Offices, PLLC; Stephen Lewellyn

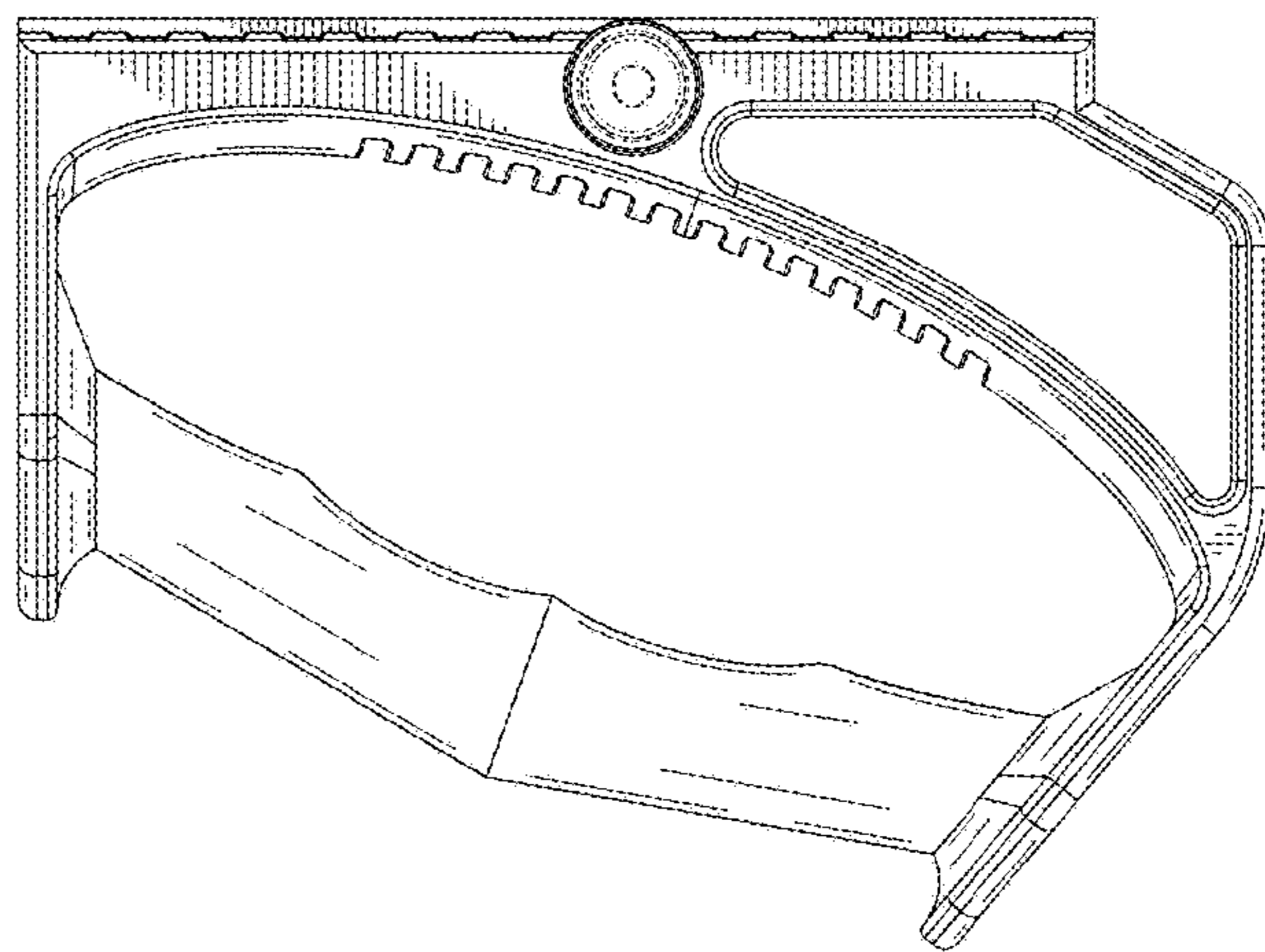
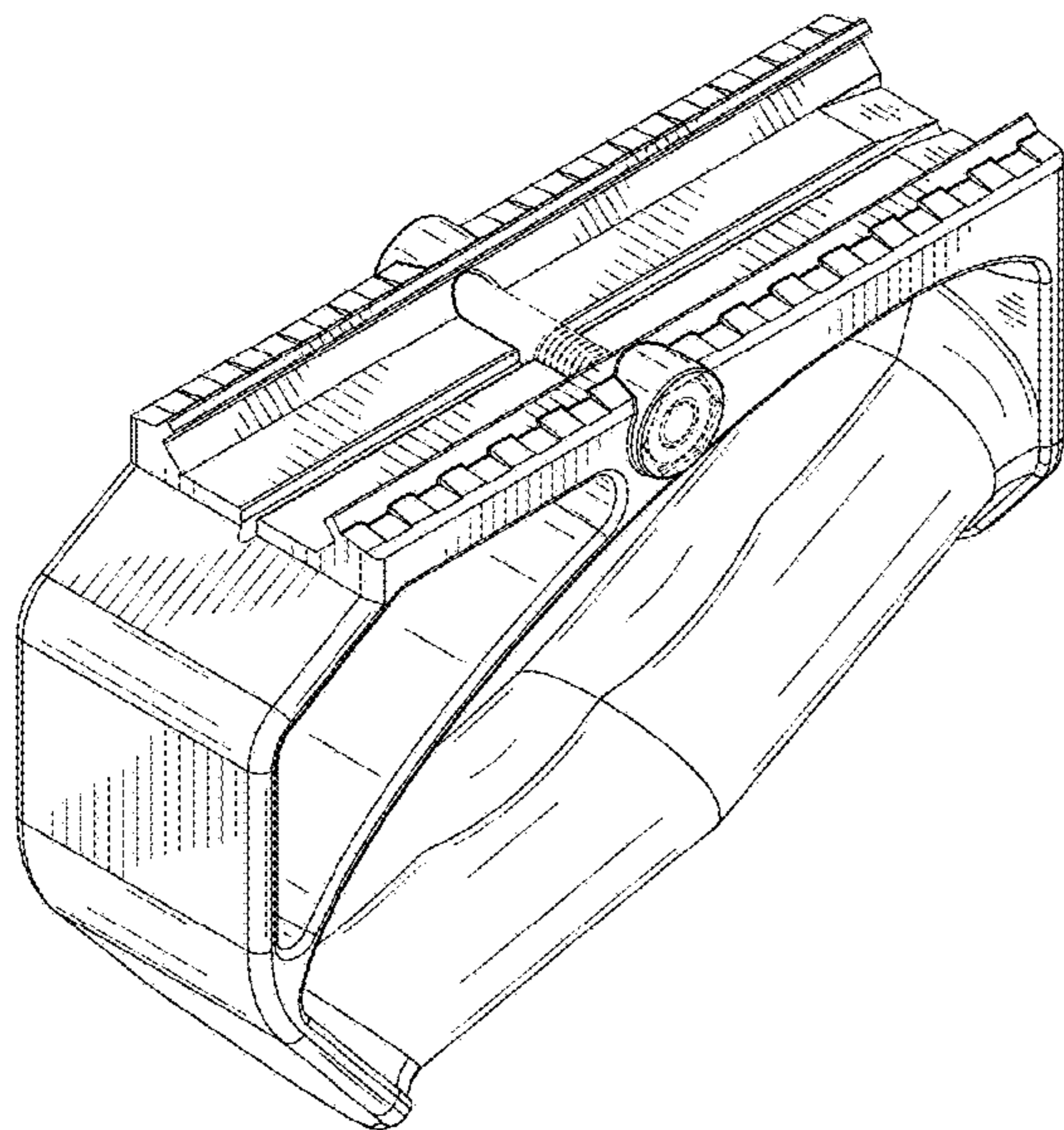
(57) **CLAIM**

The ornamental design for a firearm foregrip, as shown and described.

DESCRIPTION

FIG. 1 is a top-rear perspective view of the firearm foregrip; FIG. 2 is a front-bottom perspective view of the firearm foregrip; FIG. 4 is a bottom plan view of the firearm foregrip; FIG. 5 is a right side elevation view of the firearm foregrip; FIG. 6 is a left side elevation view of the firearm foregrip; FIG. 7 is a rear elevation view of the firearm foregrip; and, FIG. 8 is a front elevation view of the firearm foregrip. The broken lines in FIGS. 1 through 7 are environmental structure only and form no part of the claimed design.

1 Claim, 5 Drawing Sheets



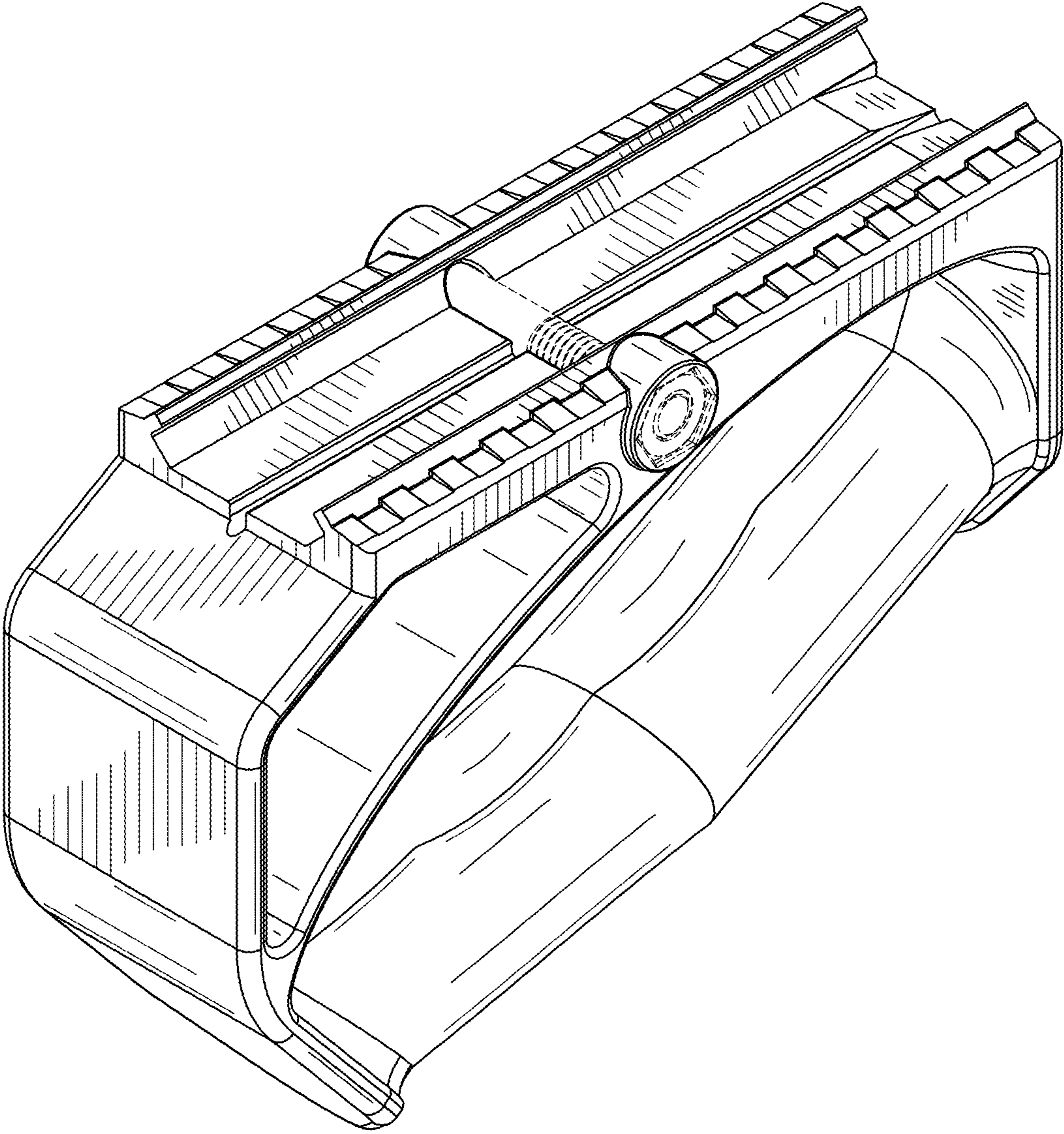


FIG. 1

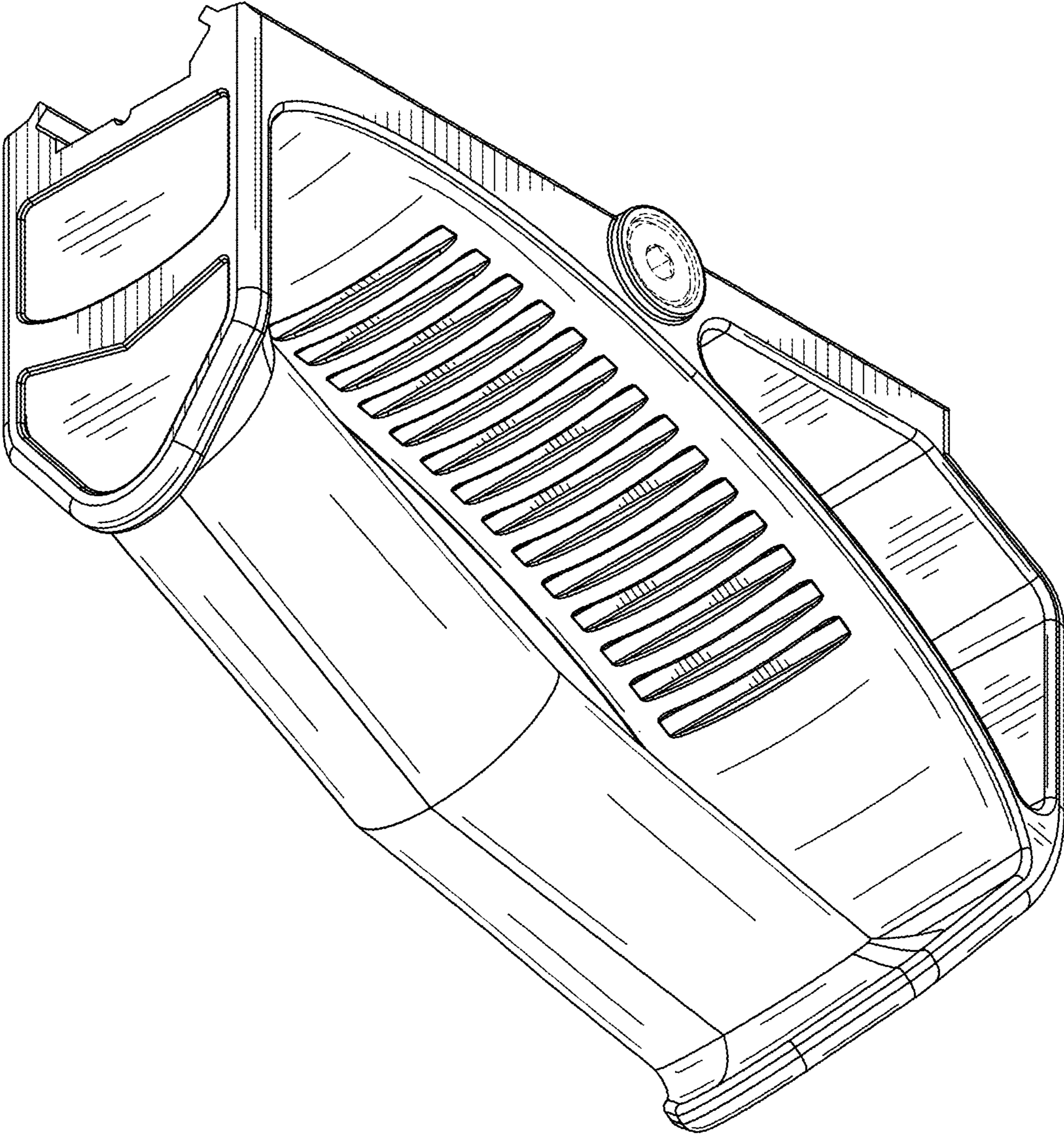


FIG. 2

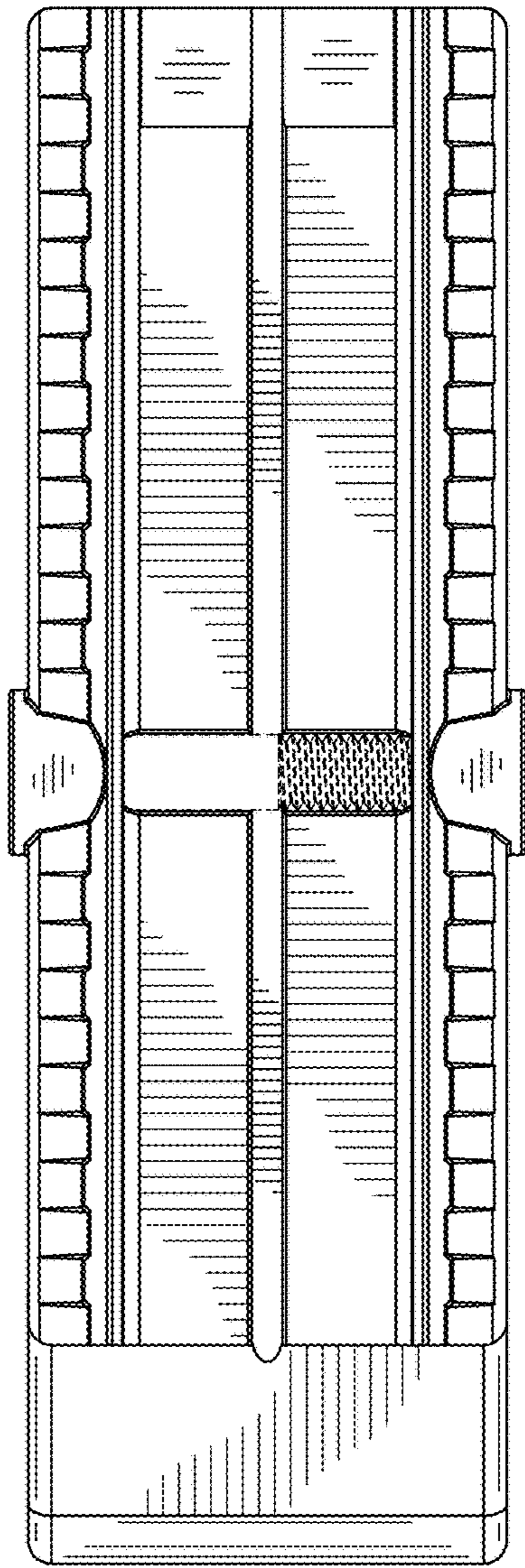


FIG. 3

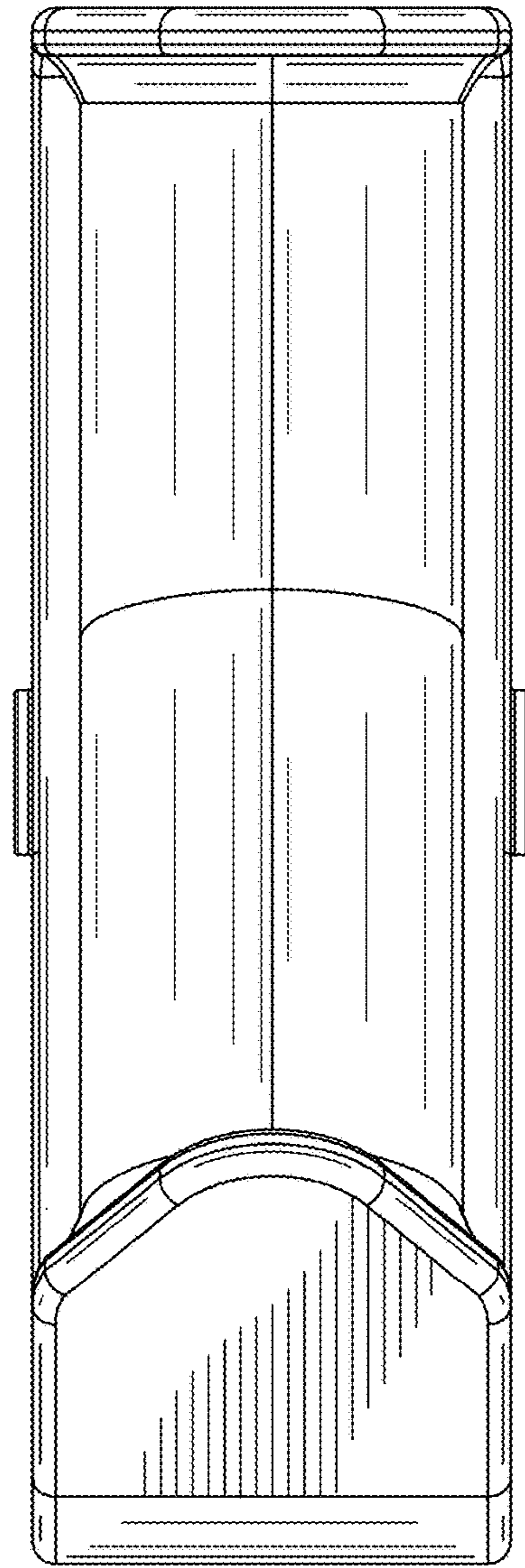


FIG. 4

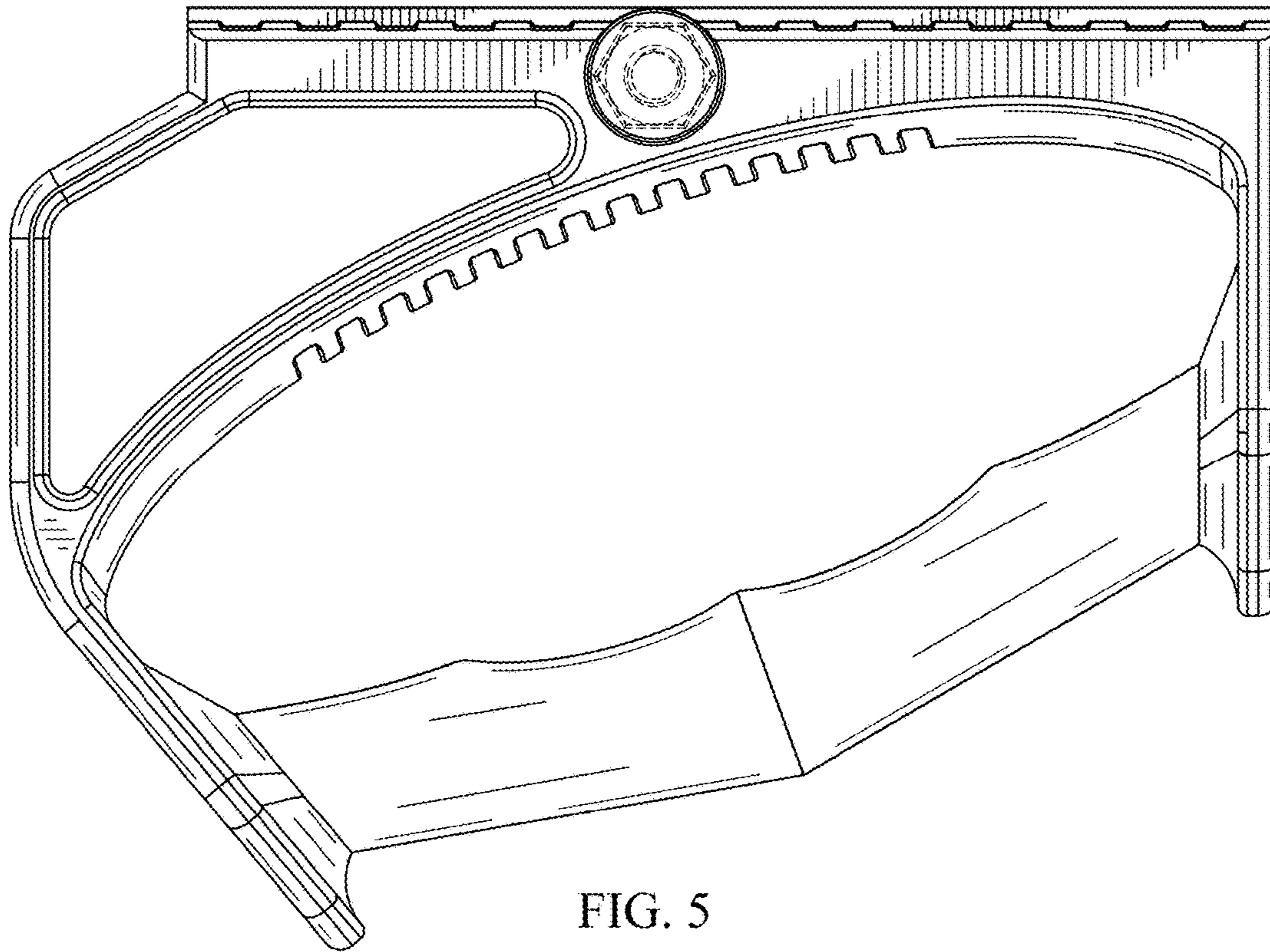


FIG. 5

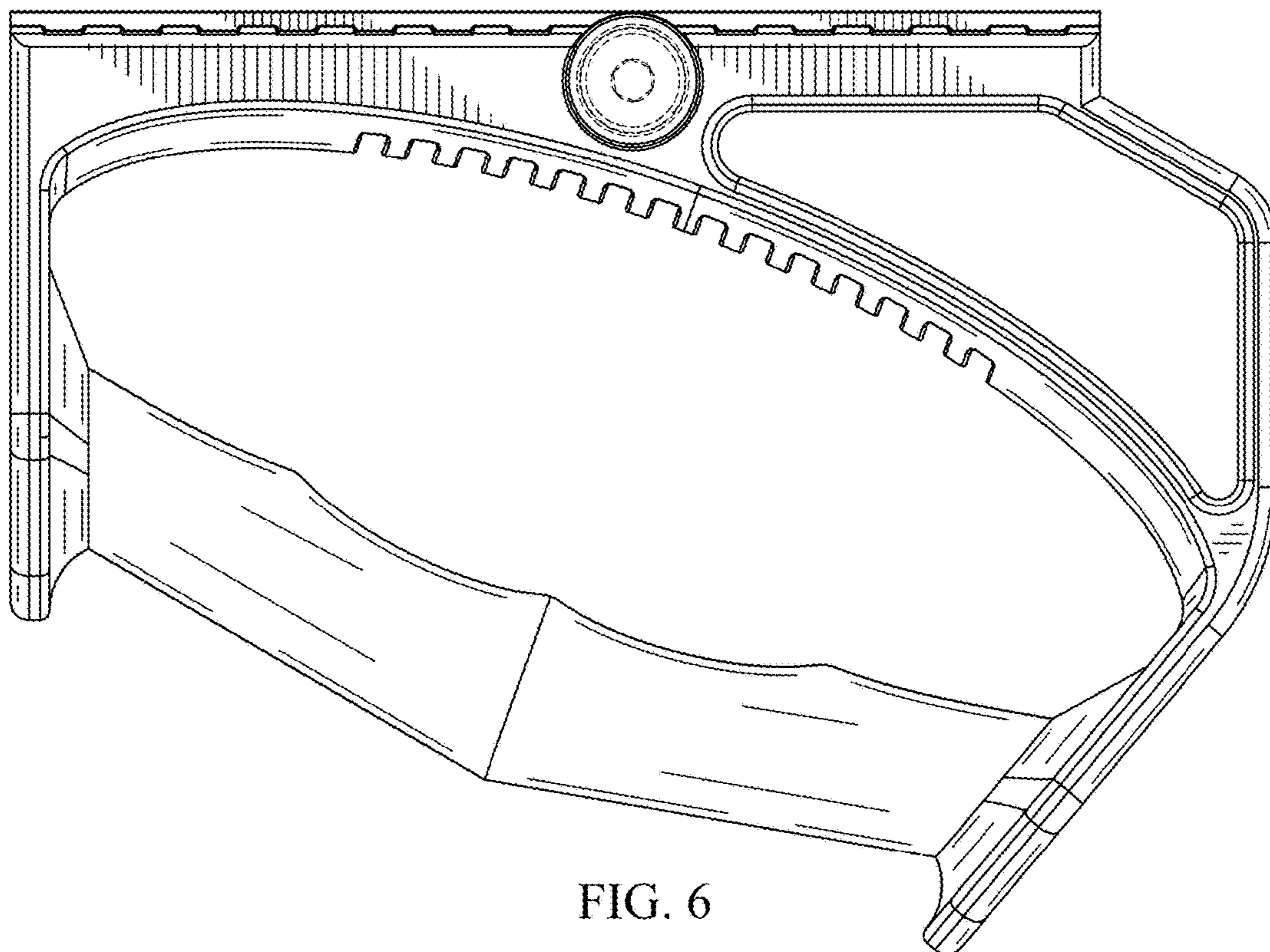


FIG. 6

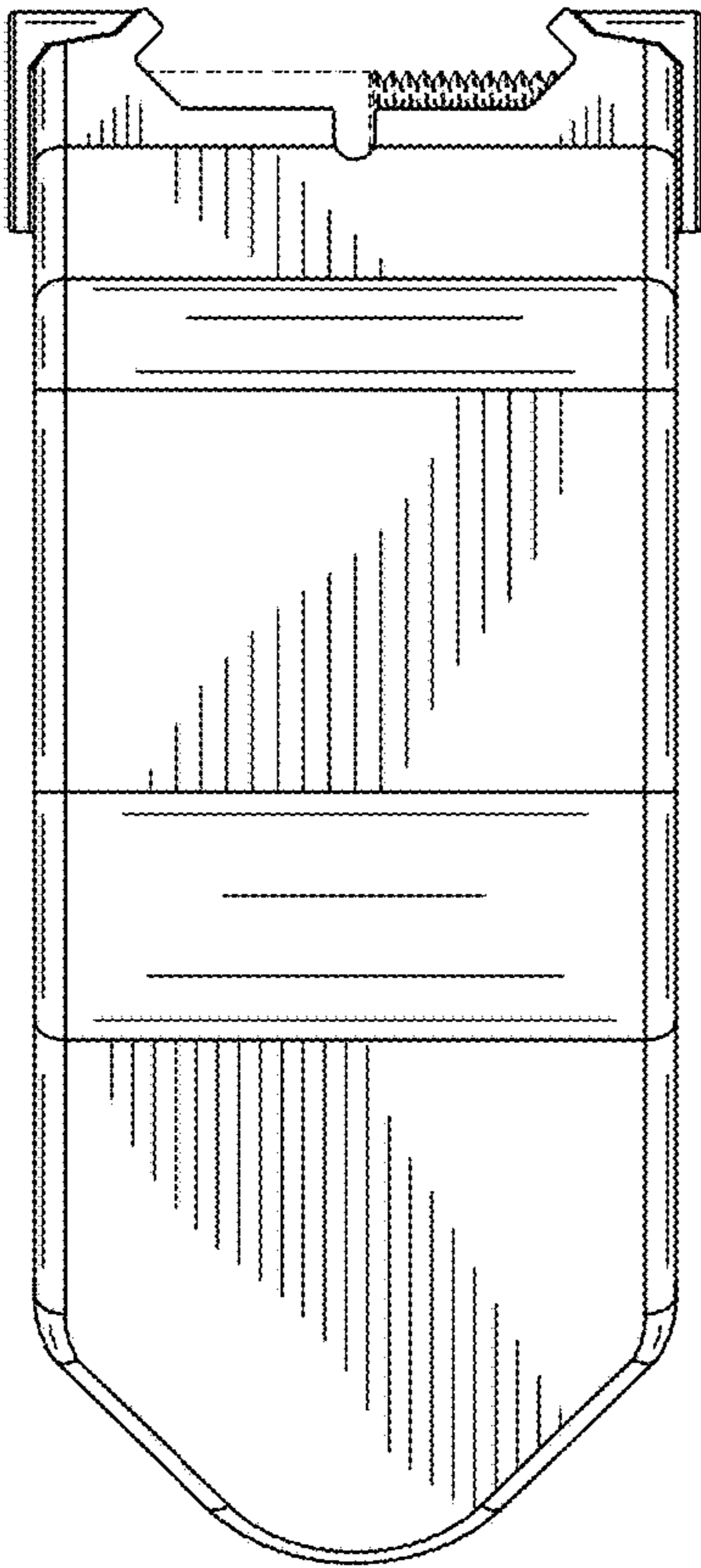


FIG. 7

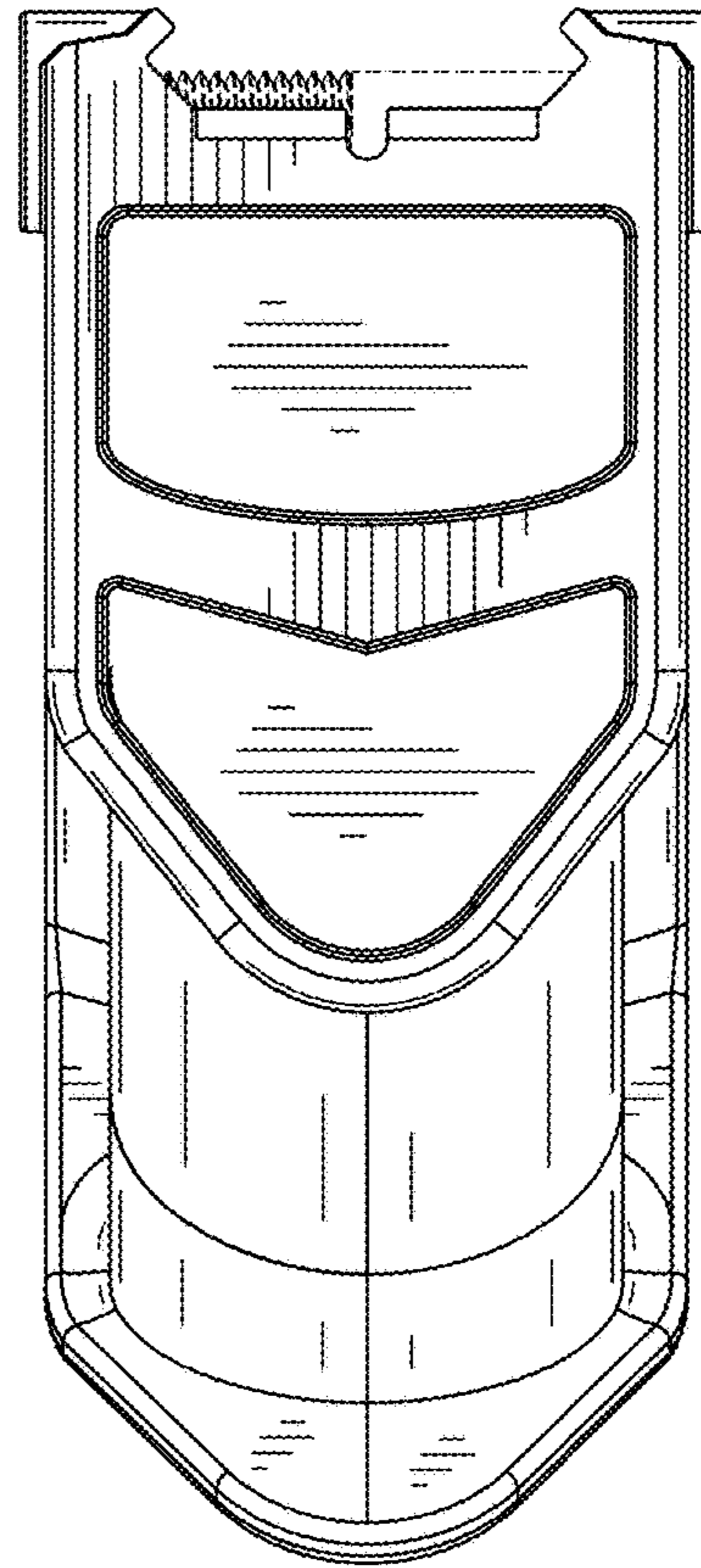


FIG. 8