



US00D785742S

(12) **United States Design Patent**
Muller

(10) **Patent No.:** **US D785,742 S**

(45) **Date of Patent:** **** *May 2, 2017**

(54) **GUNSTOCK**

(76) Inventor: **Bjorn Muller**, Heber City, UT (US)

(*) Notice: This patent is subject to a terminal disclaimer.

(**) Term: **14 Years**

(21) Appl. No.: **29/397,257**

(22) Filed: **Jul. 13, 2011**

(51) **LOC (10) Cl.** **22-01**

(52) **U.S. Cl.**
USPC **D22/108**

(58) **Field of Classification Search**

USPC D22/100, 101, 103, 104, 108, 199;
D21/572-573; 42/51, 71.01, 75.01,
42/75.02, 90, 94, 134, 136, 139, 125, 72,
42/111; 362/110; 89/40.06, 41.19,
89/37.04, 33.04, 191.01, 200-204;
124/67, 66, 72, 74
CPC F41C 23/00; F41C 27/00; F41C 27/06;
F41C 23/10; F41C 23/14; F41C 23/16;
F41C 23/18; F41A 5/18; F41A 5/24;
F41A 21/28

See application file for complete search history.

(56) **References Cited**

U.S. PATENT DOCUMENTS

D443,912 S * 6/2001 Henderson D22/108
7,165,352 B2 * 1/2007 Langlotz 42/69.03
D551,312 S * 9/2007 Al-Mulla D22/103
D611,111 S * 3/2010 Hajjar et al. D22/103
D648,412 S * 11/2011 Cook et al. D22/108
D658,260 S * 4/2012 Huang et al. D22/103
8,782,940 B1 * 7/2014 Morris F41A 11/02
42/69.01

9,015,979 B2 * 4/2015 Safewright, Jr. F41A 9/71
42/49.01
2011/0030258 A1 * 2/2011 Fistikchi et al. 42/1.06
2011/0283582 A1 * 11/2011 Hunter et al. 42/69.02
2015/0316339 A1 * 11/2015 Young F41A 11/02
42/49.01

* cited by examiner

Primary Examiner — Michael A Pratt

(74) *Attorney, Agent, or Firm* — Kunzler Law Group

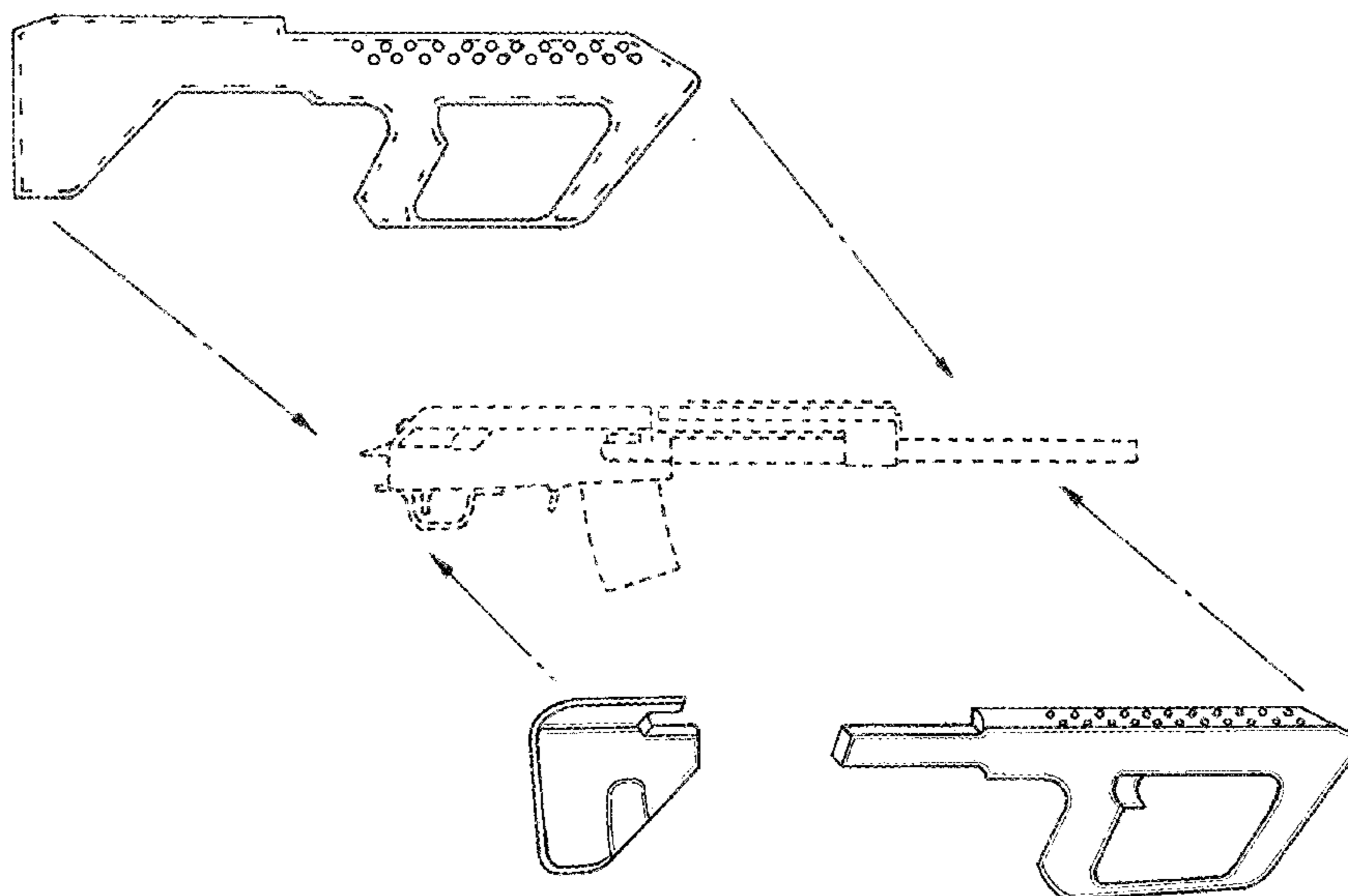
(57) **CLAIM**

The ornamental design for a gunstock, as shown and described.

DESCRIPTION

FIG. 1 is a right side exploded view of the elements of the gunstock relative to an existing firearm;
FIG. 2 is a left side view of the gunstock coupled to an existing firearm;
FIG. 3 is a right side view of the gunstock coupled to an existing firearm;
FIG. 4 is a top view of the gunstock coupled to an existing firearm;
FIG. 5 is a bottom view of the gunstock coupled to an existing firearm;
FIG. 6 is a front view of the gunstock coupled to an existing firearm;
FIG. 7 is a rear view of the gunstock coupled to an existing firearm; and,
FIG. 8 is a right rear perspective view of the gunstock coupled to an existing firearm.
The broken lines in the drawings illustrate portions of the gunstock which forms no part of the claimed design.

1 Claim, 4 Drawing Sheets



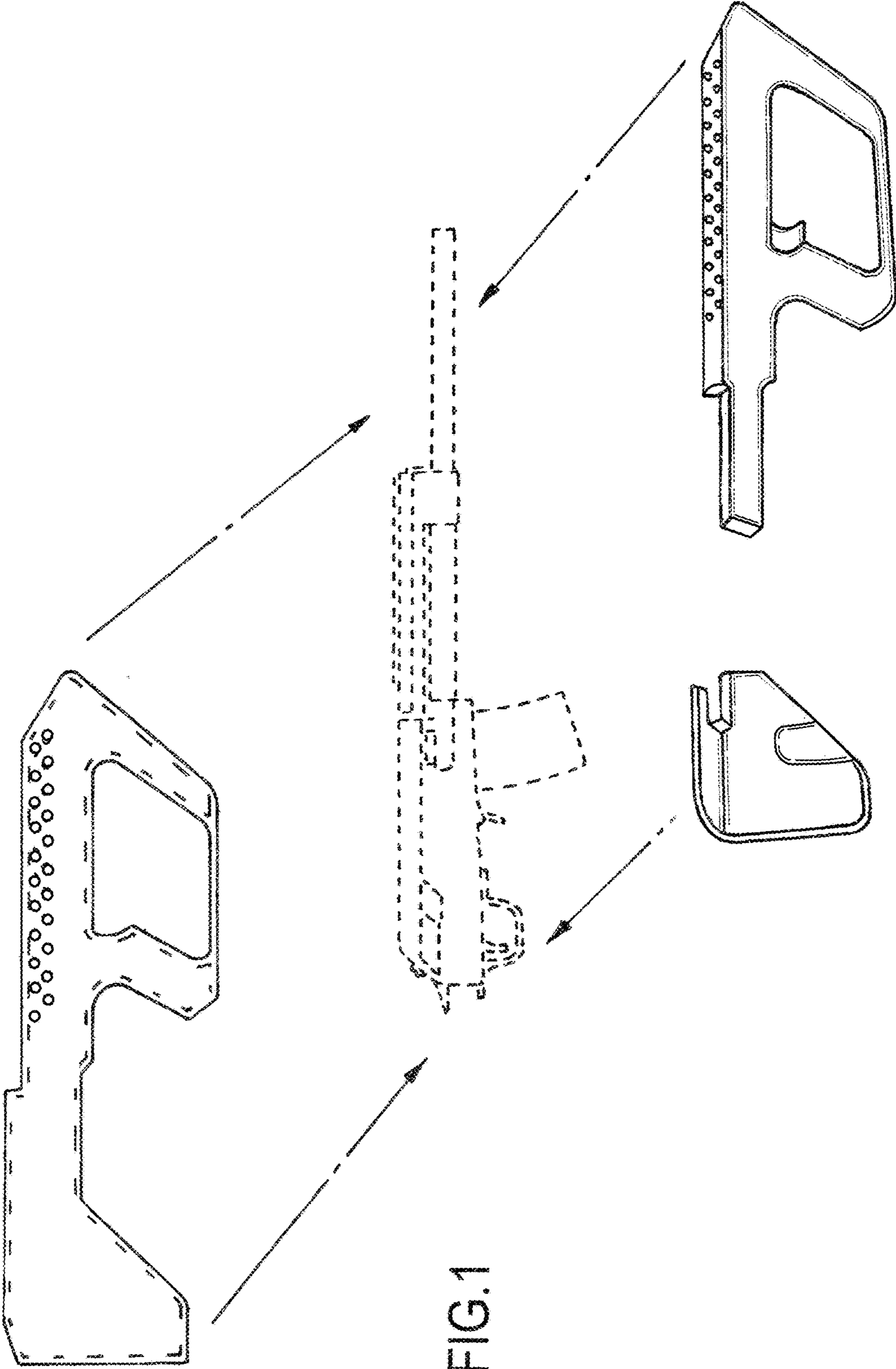


FIG.1

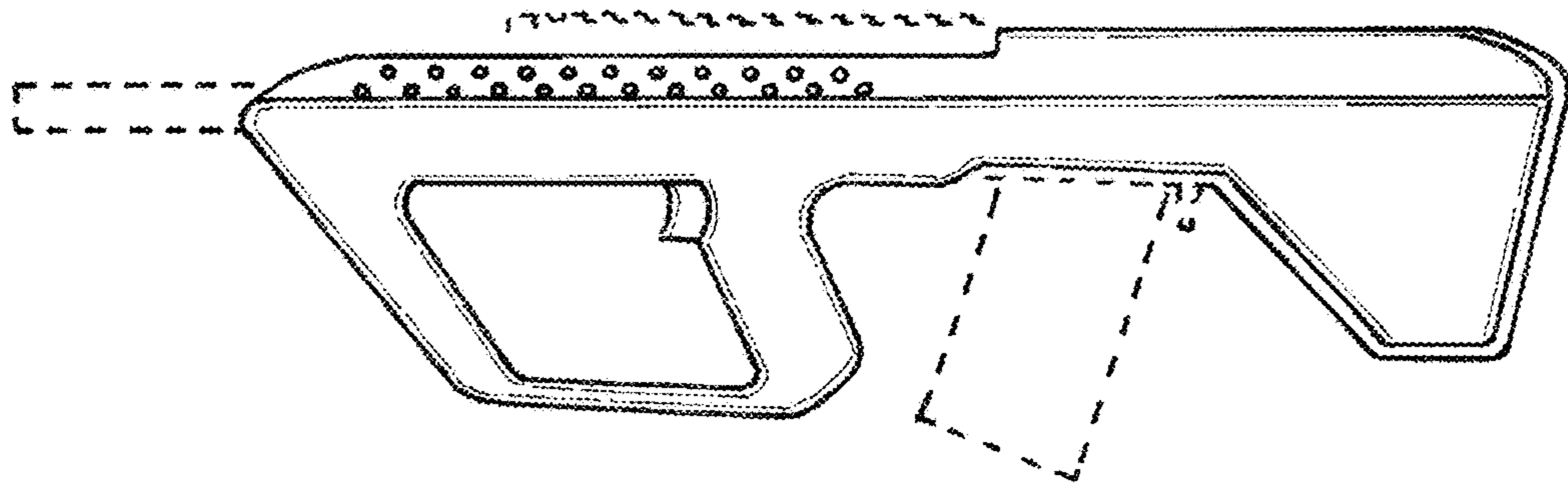


FIG. 2

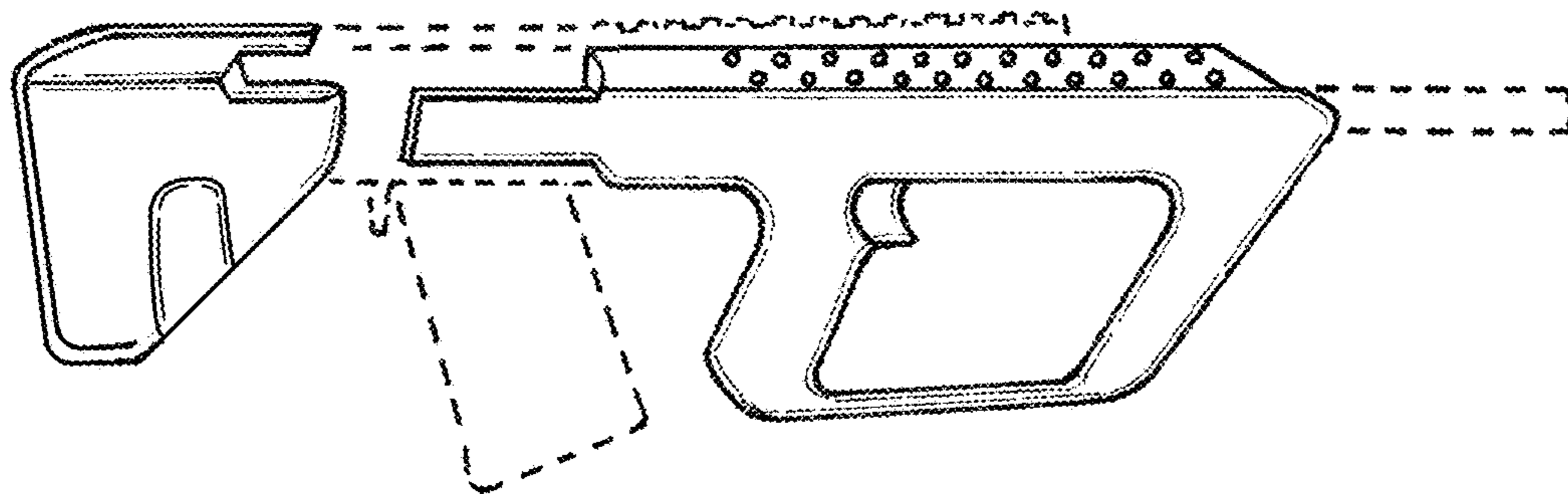


FIG. 3



FIG. 4

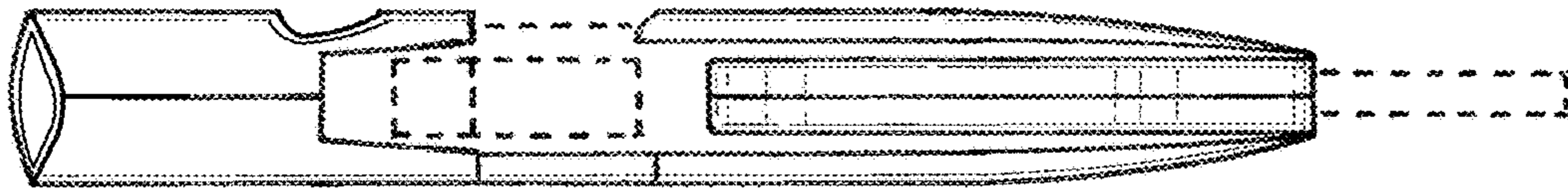


FIG. 5

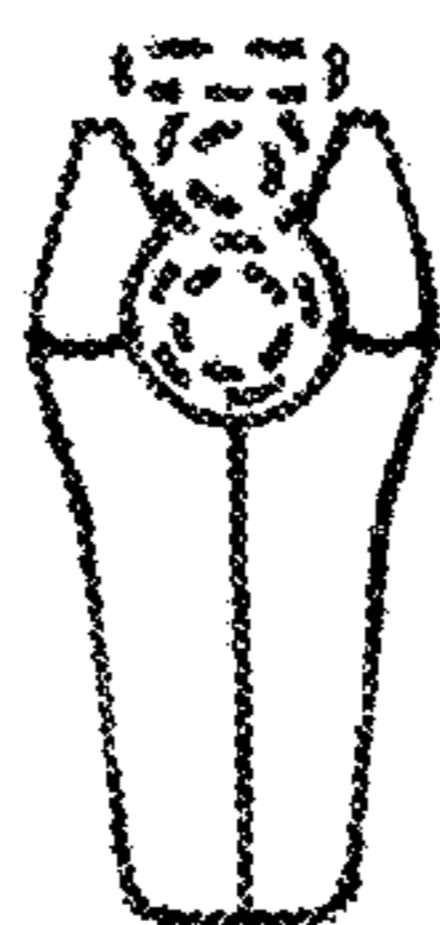


FIG. 6



FIG. 7

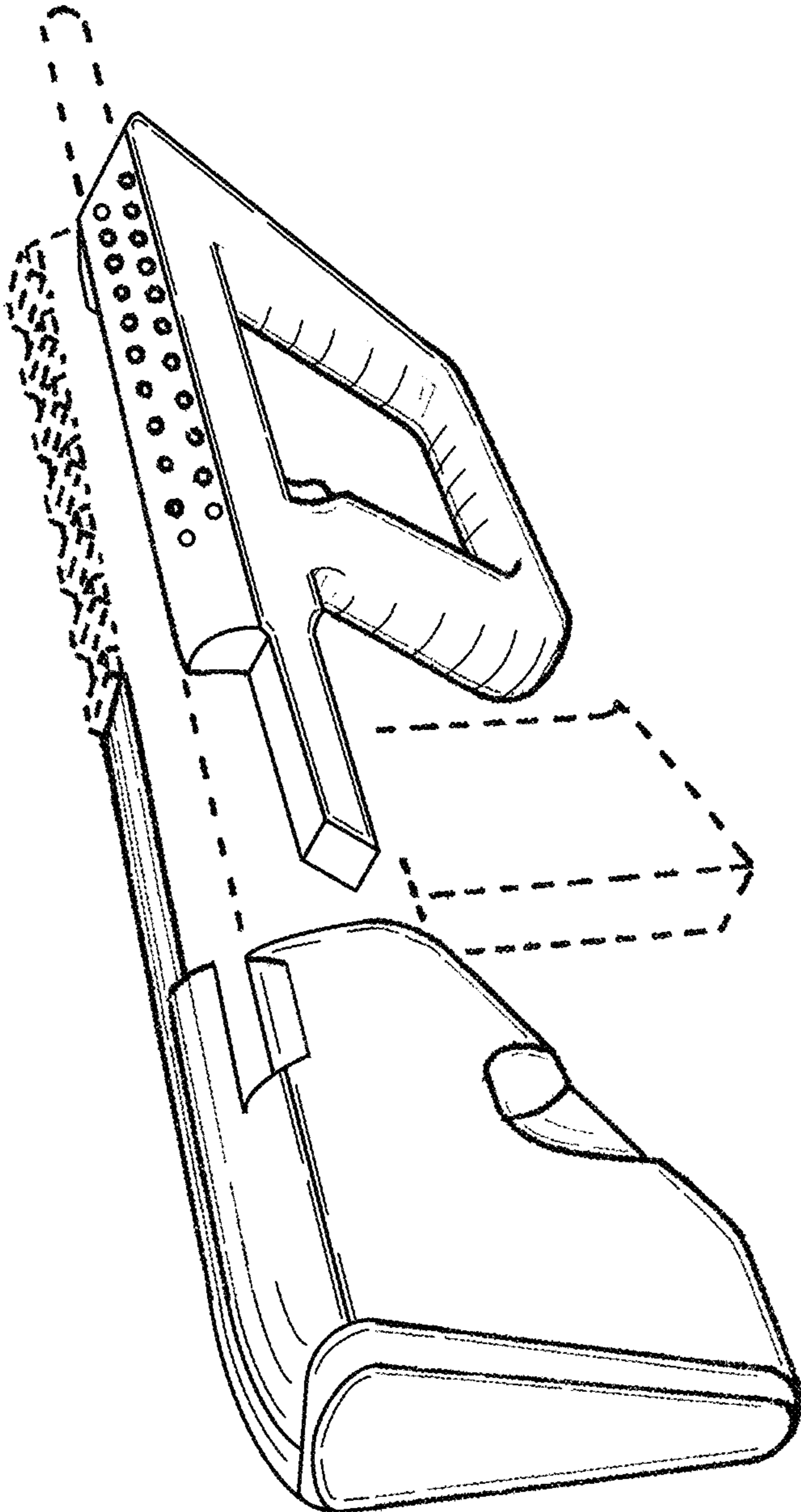


FIG. 8