



US00D785739S

(12) **United States Design Patent** (10) **Patent No.:** **US D785,739 S**
Nay (45) **Date of Patent:** **** *May 2, 2017**

- (54) **LONGBOARD WHEEL**
- (71) Applicant: **Chauncey L. Nay**, St. George, UT (US)
- (72) Inventor: **Chauncey L. Nay**, St. George, UT (US)
- (73) Assignee: **Chauncey Nay**, Liberty Hill, TX (US)
- (*) Notice: This patent is subject to a terminal disclaimer.
- (**) Term: **14 Years**
- (21) Appl. No.: **29/508,733**
- (22) Filed: **Nov. 10, 2014**
- (51) **LOC (10) Cl.** **21-02**
- (52) **U.S. Cl.**
USPC **D21/779**
- (58) **Field of Classification Search**
USPC D21/563, 761, 762, 763, 765, 771, 779;
D12/204-213; D3/318; 280/11.19,
280/11.215, 11.221-11.26, 11.28, 11.32,
280/87.042, 809, 816; 301/5.1, 5.7,
301/5.301-5.309
CPC A63C 17/00; A63C 17/01; A63C 17/04;
A63C 17/06; A63C 17/22; A63C 17/223;
A63C 17/18
See application file for complete search history.

4,090,283 A *	5/1978	Woolley	A63C 17/24 264/263
4,844,492 A *	7/1989	Ludwig	A63C 17/064 280/11.227
D324,245 S *	2/1992	Wright	D21/563
5,590,890 A *	1/1997	Rosso	A63C 17/24 280/11.226
D377,959 S *	2/1997	Chen	D21/764
D378,115 S *	2/1997	Baker	D21/764
6,019,382 A *	2/2000	Bouden	A63C 17/01 280/11.19
D517,633 S *	3/2006	Chen	D21/563
D575,833 S *	8/2008	Fink	D21/563
D588,762 S *	3/2009	Dyson	D32/31
D717,383 S *	11/2014	Nay	D21/779

* cited by examiner

Primary Examiner — Cynthia M Chin
(74) *Attorney, Agent, or Firm* — Maschoff Brennan

(57) **CLAIM**

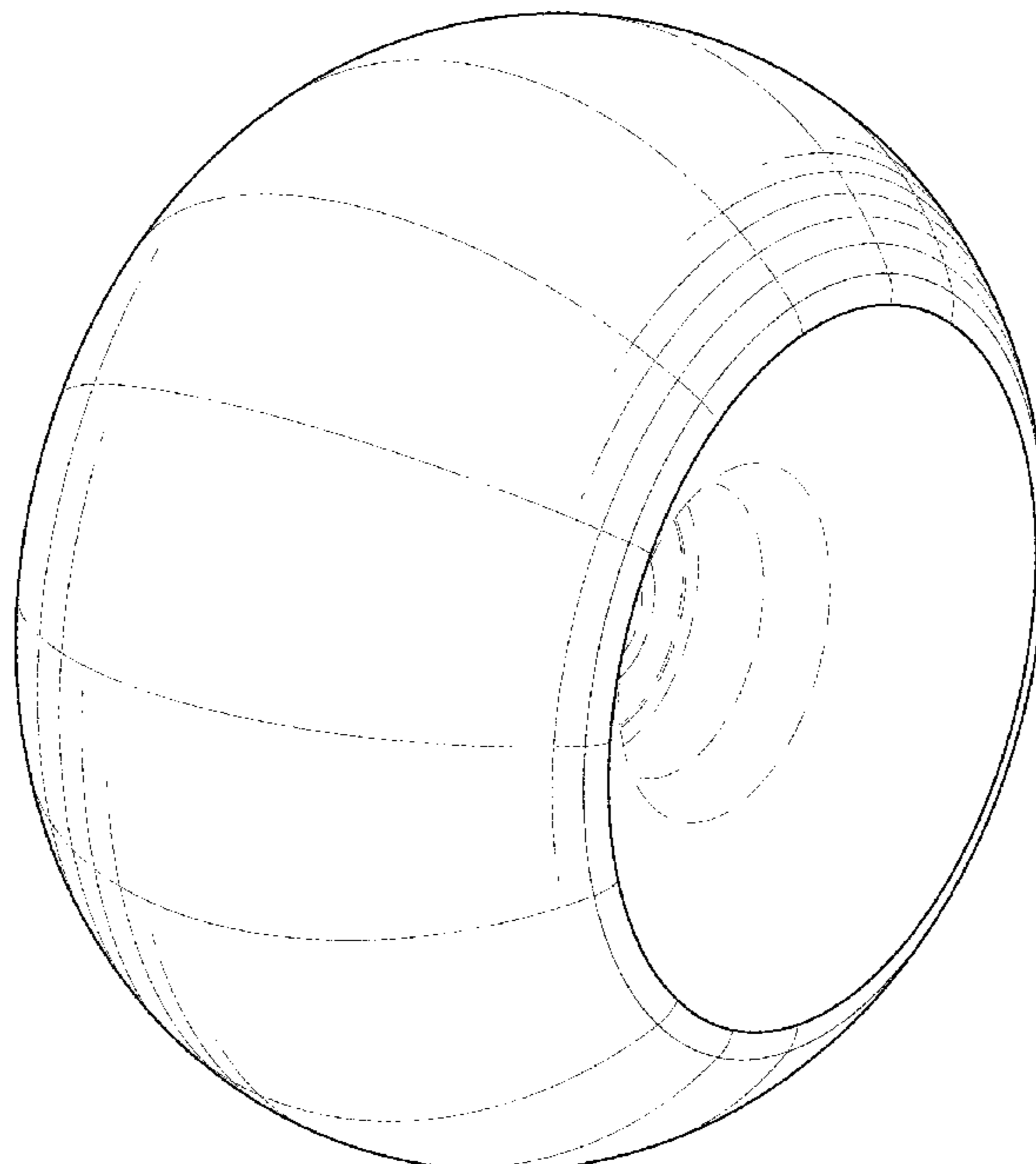
The ornamental design for a longboard wheel, as shown and described.

DESCRIPTION

FIG. 1 is an upper perspective view of a longboard wheel, illustrating the wheel attached to an exemplary longboard; FIG. 2 is an upper perspective view of the longboard wheel; FIG. 3 is a front view of the longboard wheel; FIG. 4 is a rear view of the longboard wheel; FIG. 5 is a left side view of the longboard wheel; and, FIG. 6 is a right side view of the longboard wheel. The broken lines shown in the figures are included for the purpose of illustrating the environment in which the article resides and forms no part of the claimed design.

1 Claim, 4 Drawing Sheets

- (56) **References Cited**
U.S. PATENT DOCUMENTS
3,837,662 A * 9/1974 Marks A63C 17/22
280/11.223
3,936,061 A * 2/1976 Wada A63C 17/0086
280/11.226



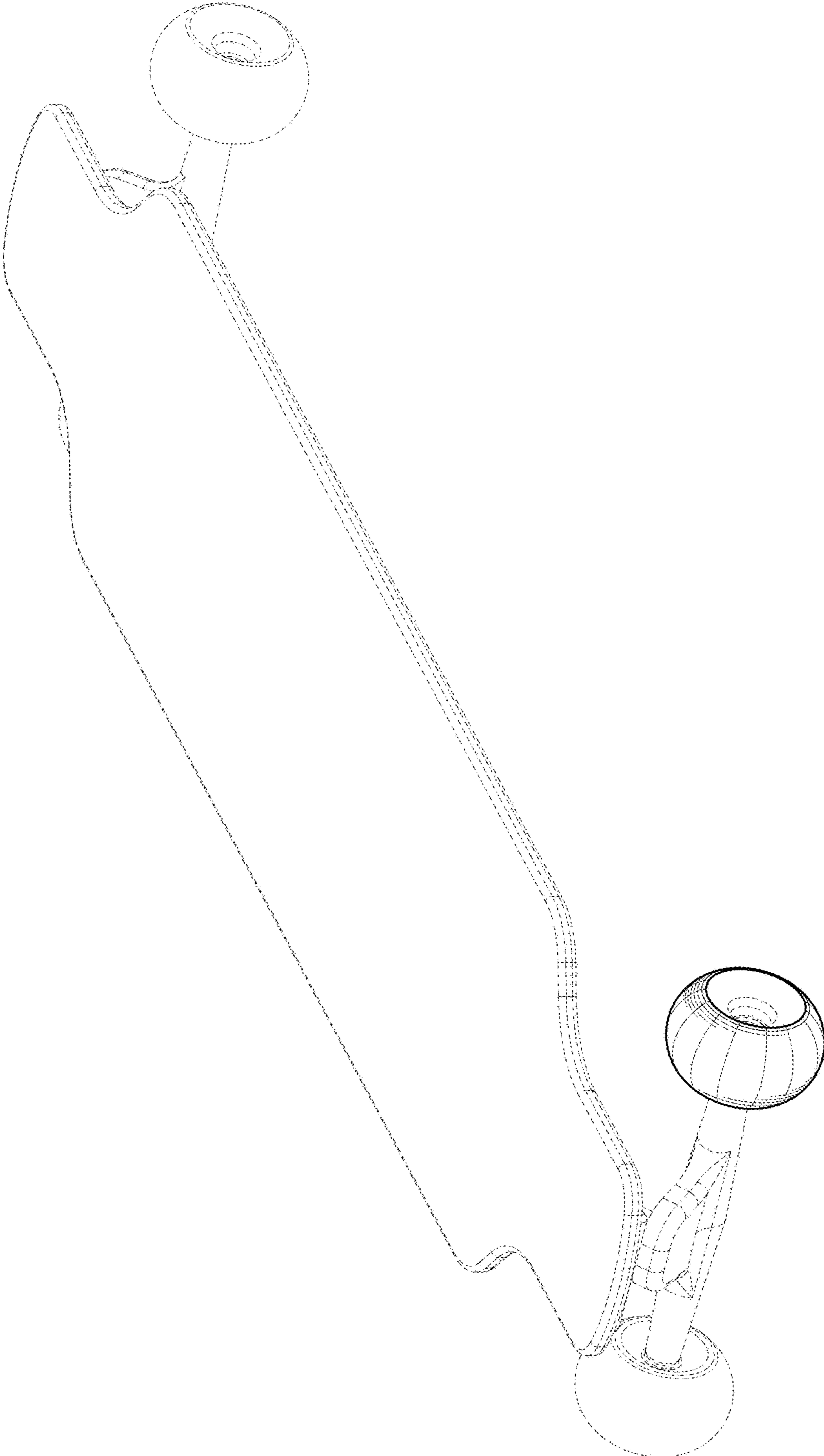


FIG. 1

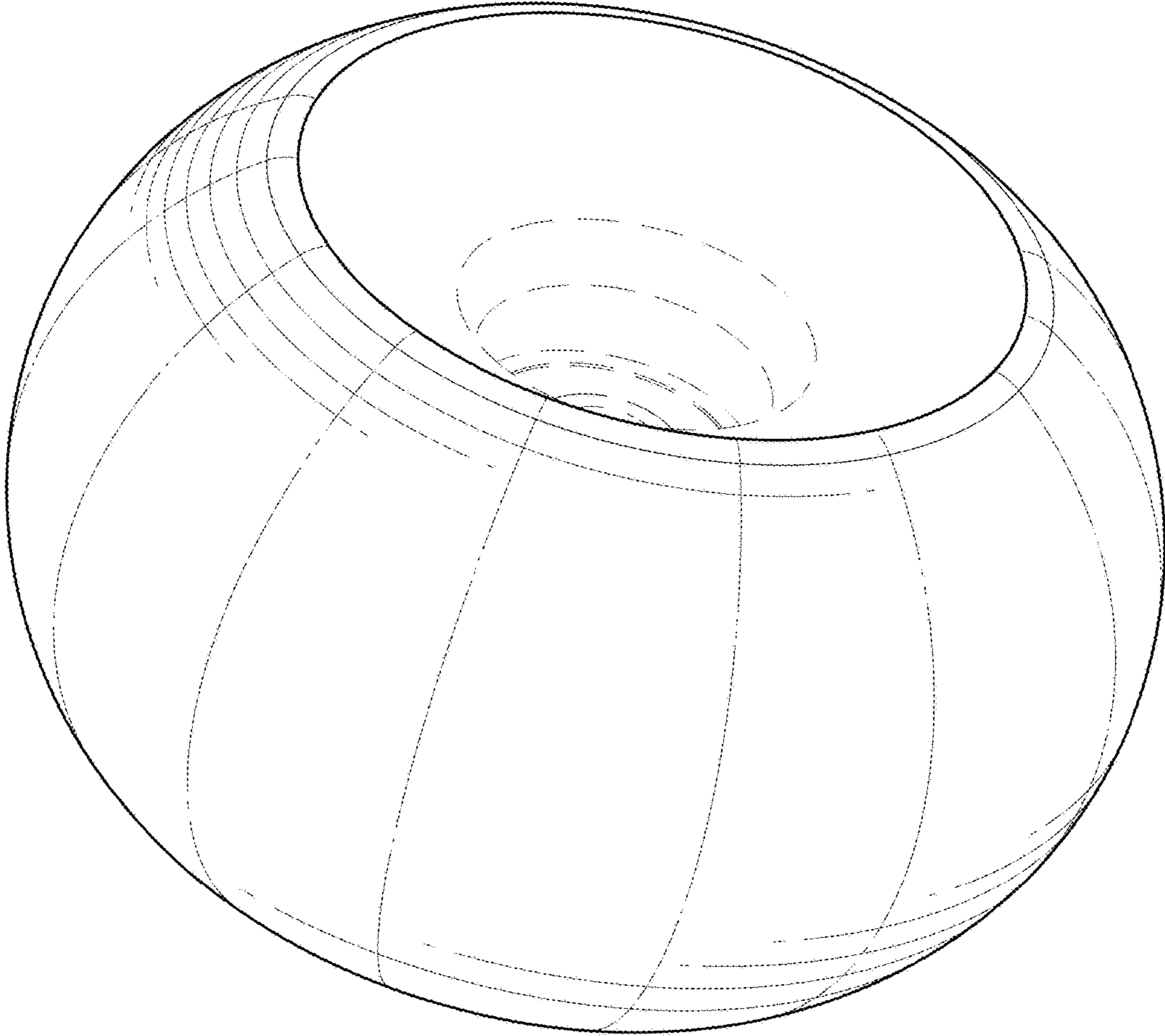


FIG. 2

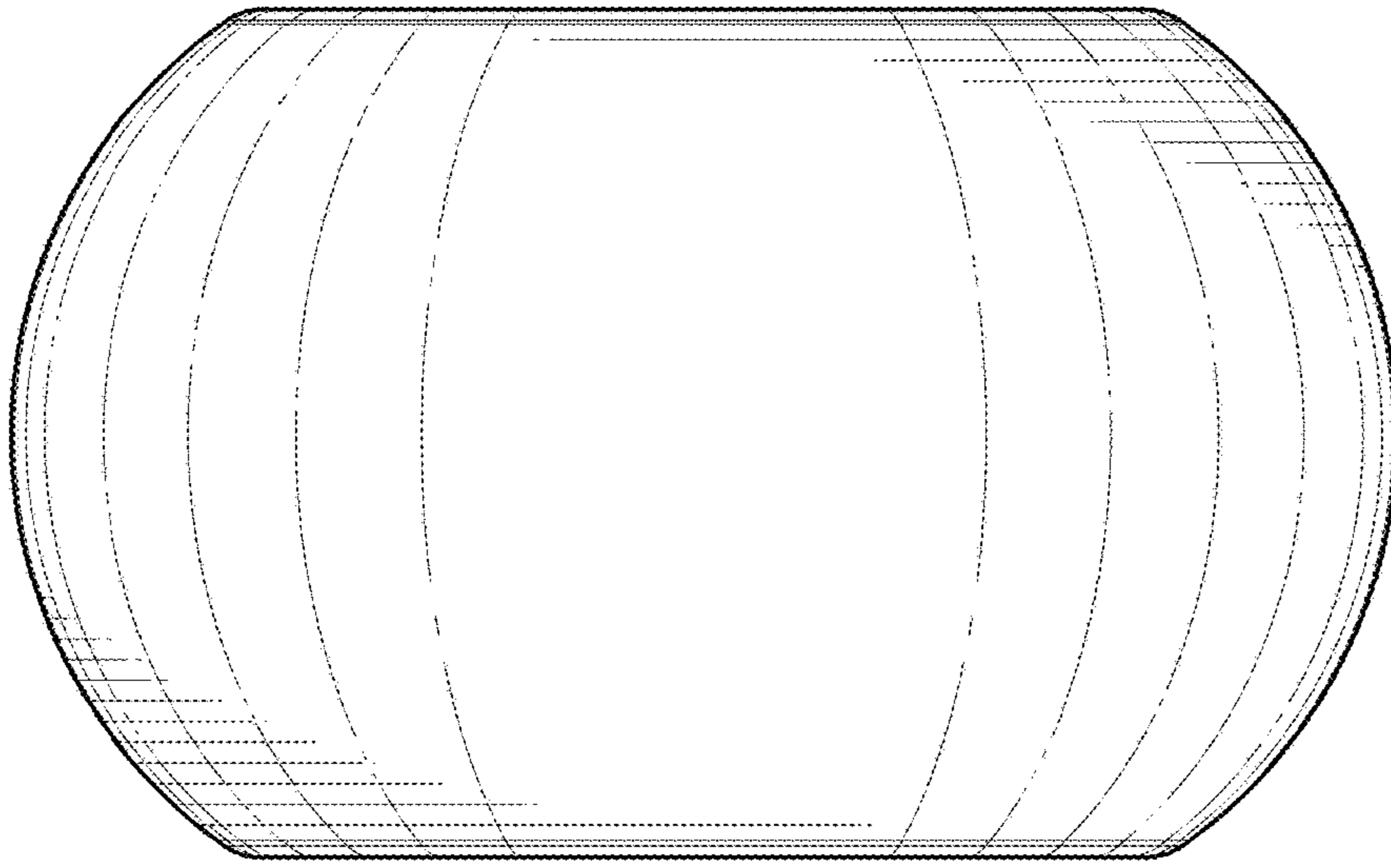


FIG. 4

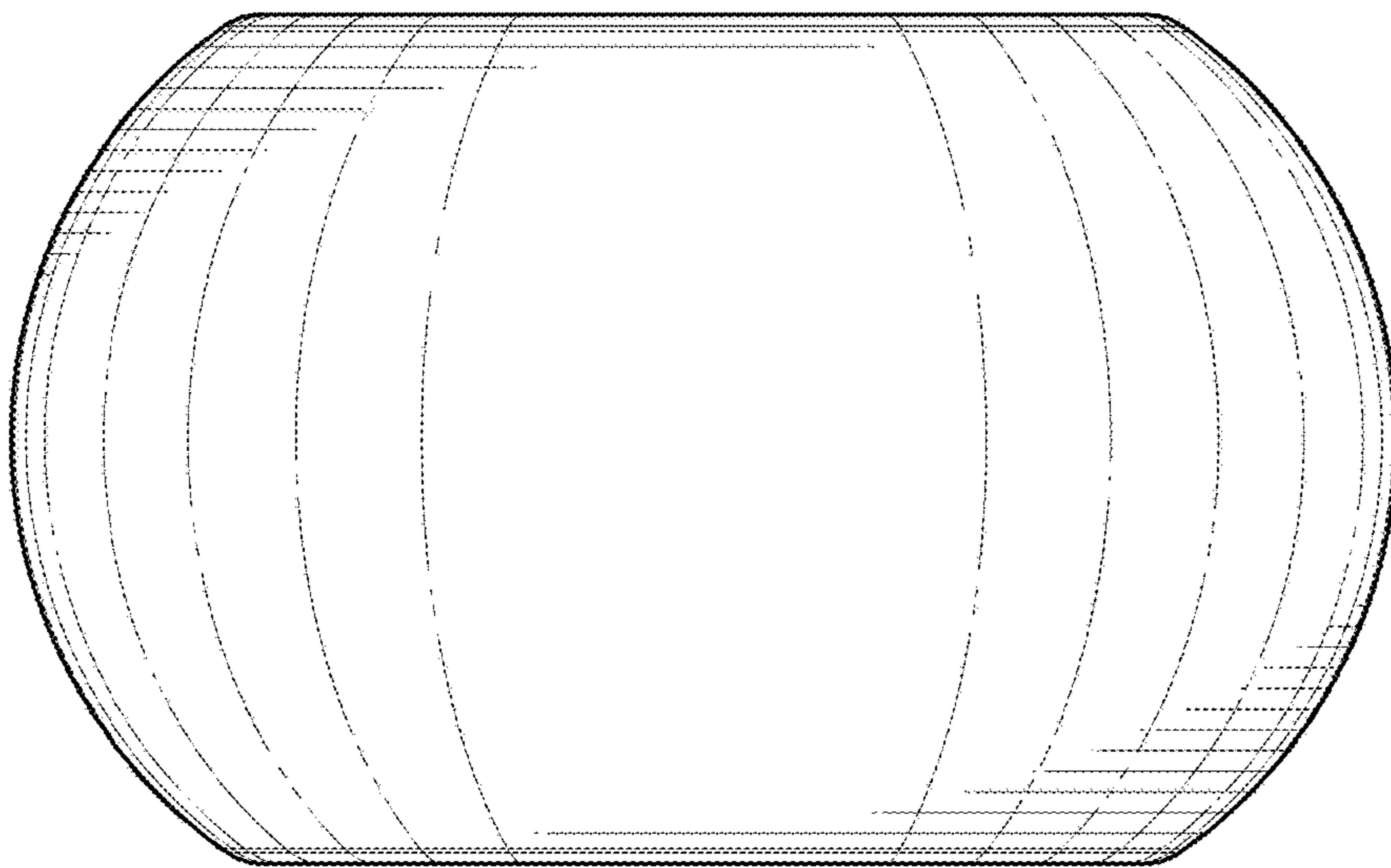


FIG. 3

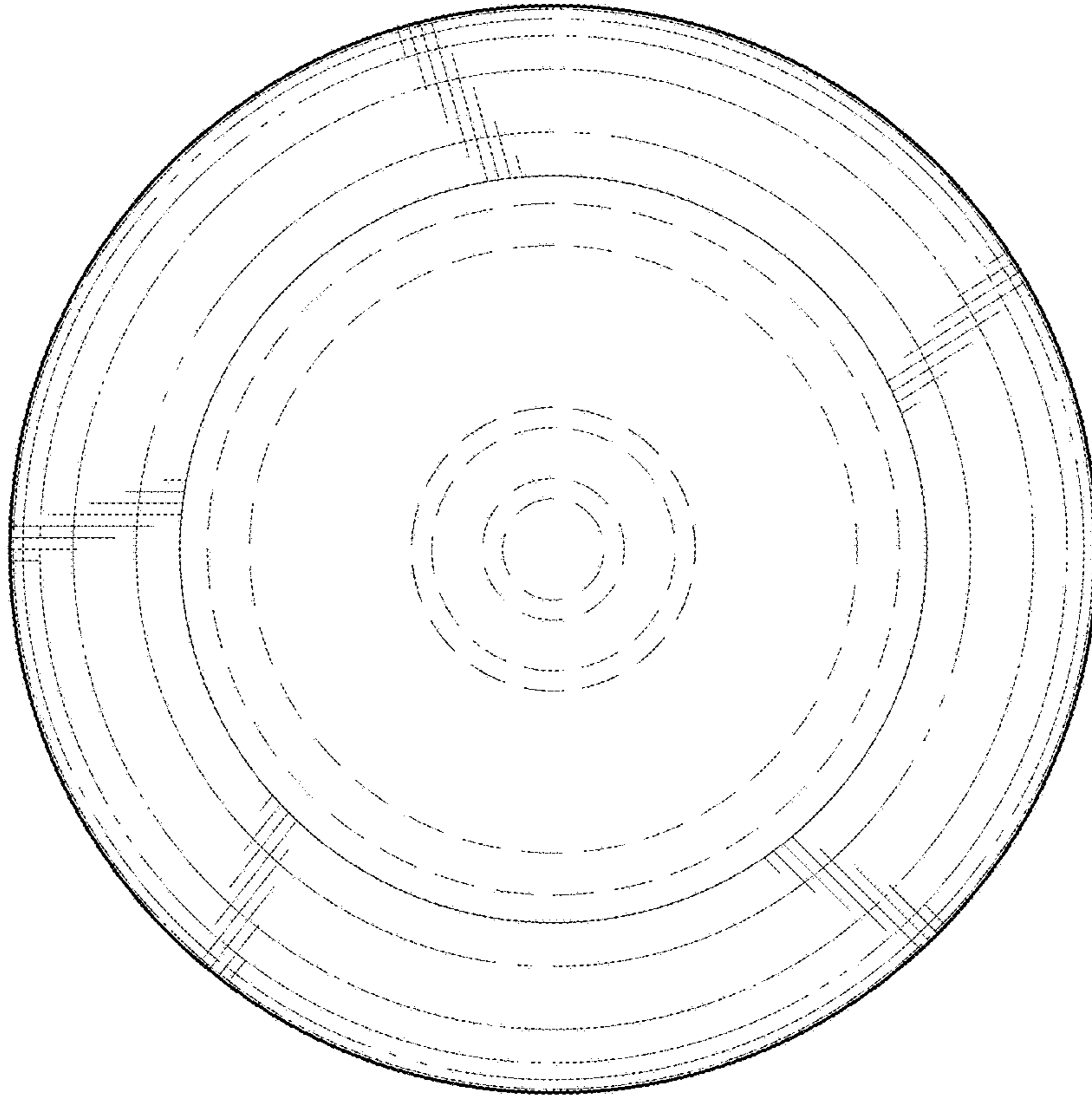


FIG. 6

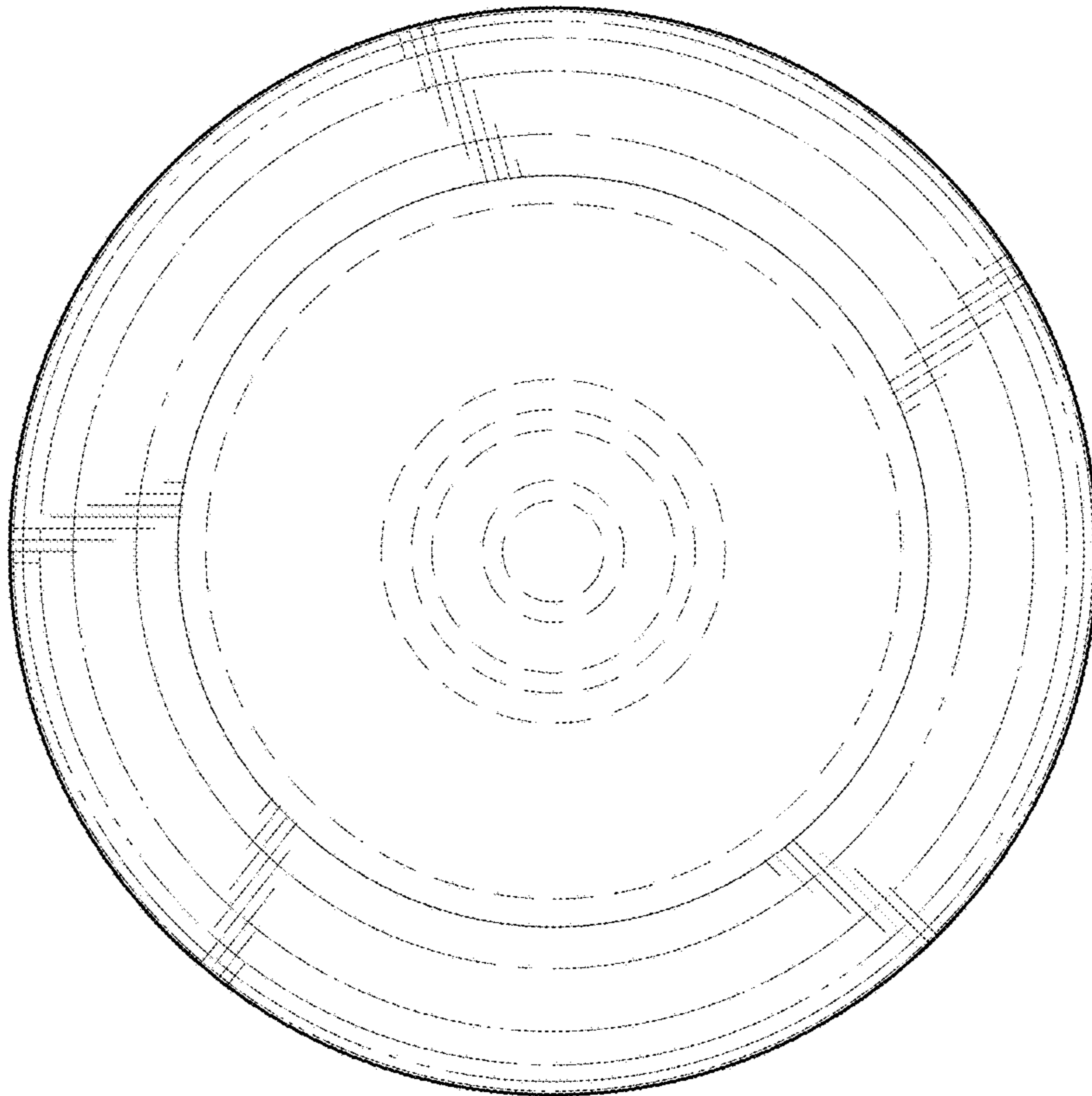


FIG. 5