



US00D785738S

(12) **United States Design Patent**  
**McKellar et al.**

(10) **Patent No.:** **US D785,738 S**

(45) **Date of Patent:** **\*\* May 2, 2017**

(54) **STAND-UP PADDLE BOARD WITH A VIEWING WINDOW**

(71) Applicant: **Night Kayak LLC**, St. Thomas, VI (US)

(72) Inventors: **Steven Scott McKellar**, Chelan, WA (US); **Mark Everett McKellar**, St. Thomas, VI (US)

(73) Assignee: **Night Kayak, LLC**, St. Thomas, VI (US)

(\*\*) Term: **15 Years**

(21) Appl. No.: **29/549,448**

(22) Filed: **Dec. 22, 2015**

(51) **LOC (10) Cl.** ..... **21-02**

(52) **U.S. Cl.**  
USPC ..... **D21/769**

(58) **Field of Classification Search**  
USPC ..... D21/684–685, 760–761, 765–766, D21/768–777, 778, 803; 114/253, 114/345–346; 441/74–75; 472/128–129; D12/5, 6, 316; 280/601, 609, 637, 11.36  
CPC ..... B63B 35/79; B63B 35/73; B63B 1/00  
See application file for complete search history.

(56) **References Cited**

U.S. PATENT DOCUMENTS

- 4,840,592 A \* 6/1989 Anderson ..... B63B 35/7943 114/66
- 4,925,417 A \* 5/1990 Warren ..... B63C 11/49 114/66
- 5,476,055 A \* 12/1995 Hackett ..... B63C 11/49 114/66
- D377,072 S \* 12/1996 Ilejay ..... D21/769
- 6,142,844 A \* 11/2000 Klauber ..... B63C 11/49 441/129

- 6,241,569 B1 \* 6/2001 Harkrider ..... B63C 11/49 114/66
- 6,572,424 B2 \* 6/2003 Harkrider ..... B63C 11/49 114/66
- 7,927,164 B2 \* 4/2011 Kuchler ..... B63C 11/49 114/66

\* cited by examiner

*Primary Examiner* — Zenia Bennett

(74) *Attorney, Agent, or Firm* — Dorsey & Whitney LLP

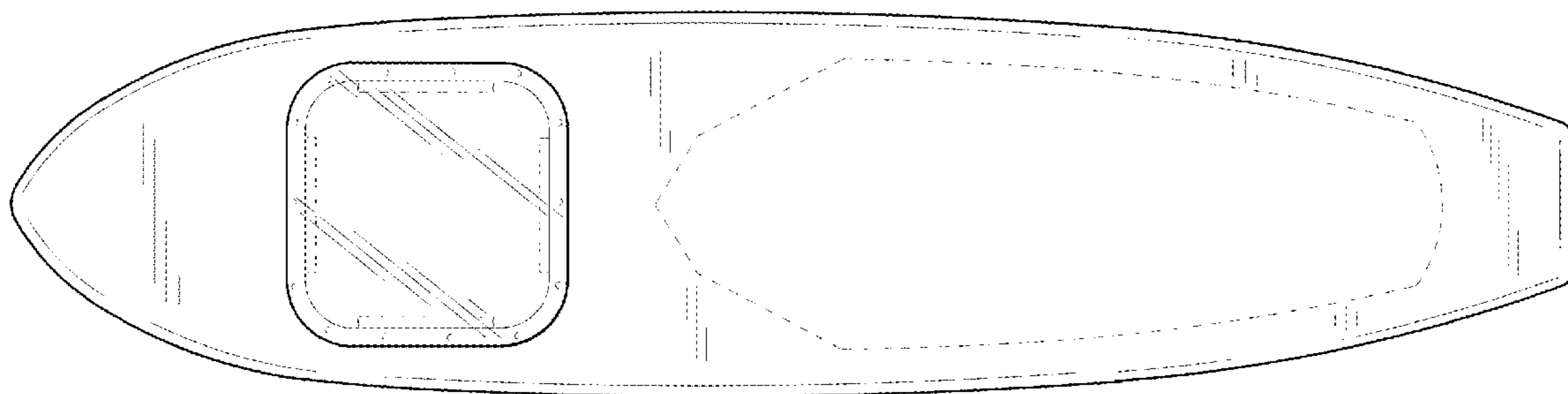
(57) **CLAIM**

We claim the ornamental design for a stand-up paddle board with a viewing window, as shown and described.

**DESCRIPTION**

FIG. 1 is a top perspective view of a stand-up paddle board with a viewing window.  
 FIG. 2 is a bottom perspective view of the stand-up paddle board with a viewing window of FIG. 1.  
 FIG. 3 is a top plan view of the stand-up paddle board with a viewing window of FIG. 1.  
 FIG. 4 is a bottom plan view of the stand-up paddle board with a viewing window of FIG. 1.  
 FIG. 5 is a right side elevation view of the stand-up paddle board with a viewing window of FIG. 1.  
 FIG. 6 is a left side elevation view of the stand-up paddle board with a viewing window of FIG. 1.  
 FIG. 7 is a front elevation view of the stand-up paddle board with a viewing window of FIG. 1.  
 FIG. 8 is a rear elevation view of the stand-up paddle board with a viewing window of FIG. 1; and,  
 FIG. 9 is an enlarged cross-sectional view of the stand-up paddle board with a viewing window of FIG. 1 taken along line 9-9 of FIG. 5.  
 The broken lines illustrate portions of the stand-up paddle board with a viewing window that form no part of the claimed design.

**1 Claim, 4 Drawing Sheets**



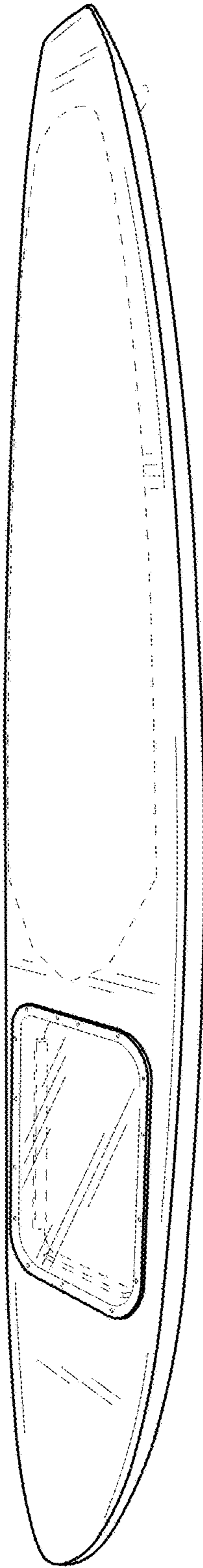


FIG. 1

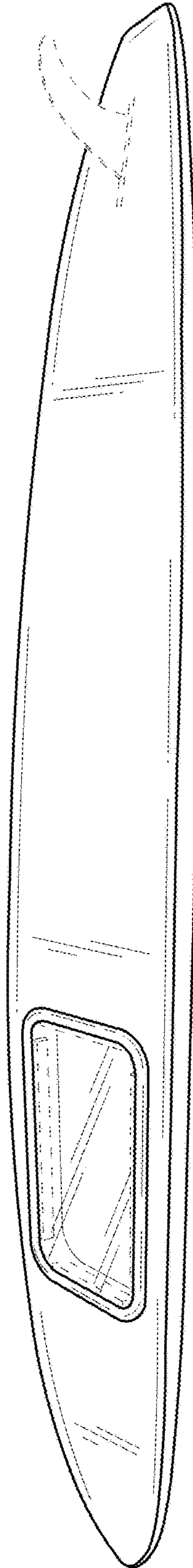


FIG. 2

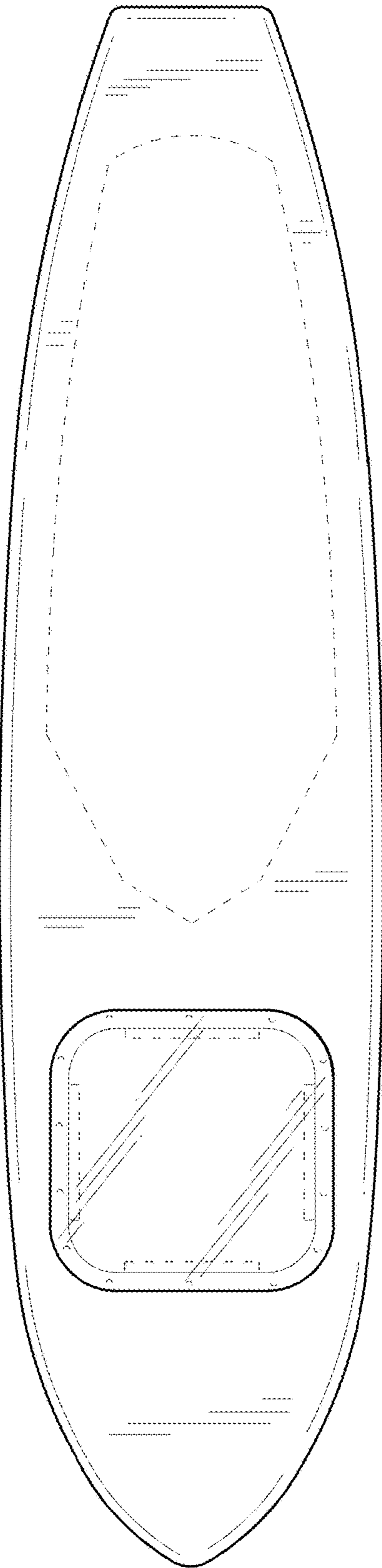


FIG. 3

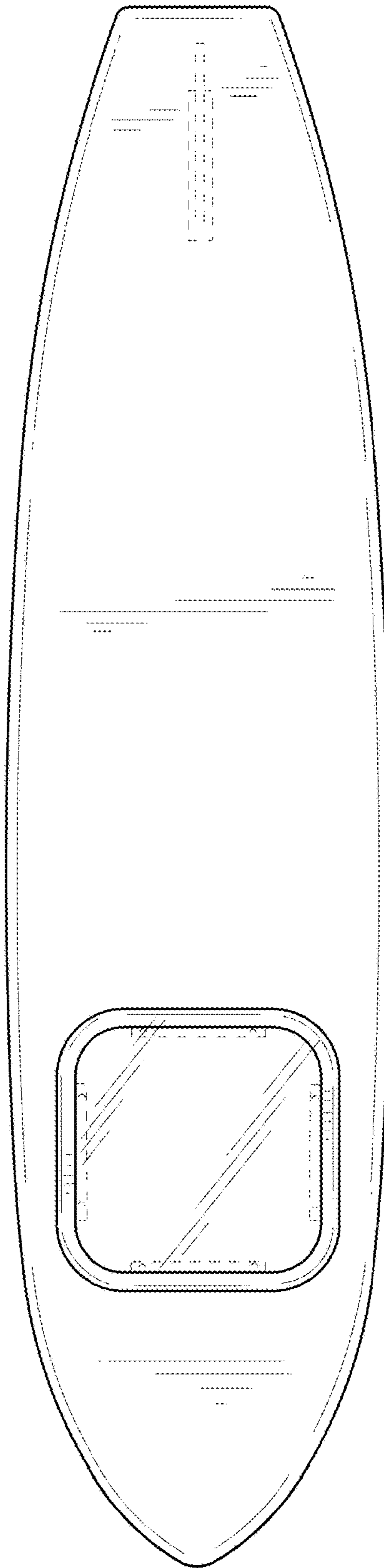


FIG. 4

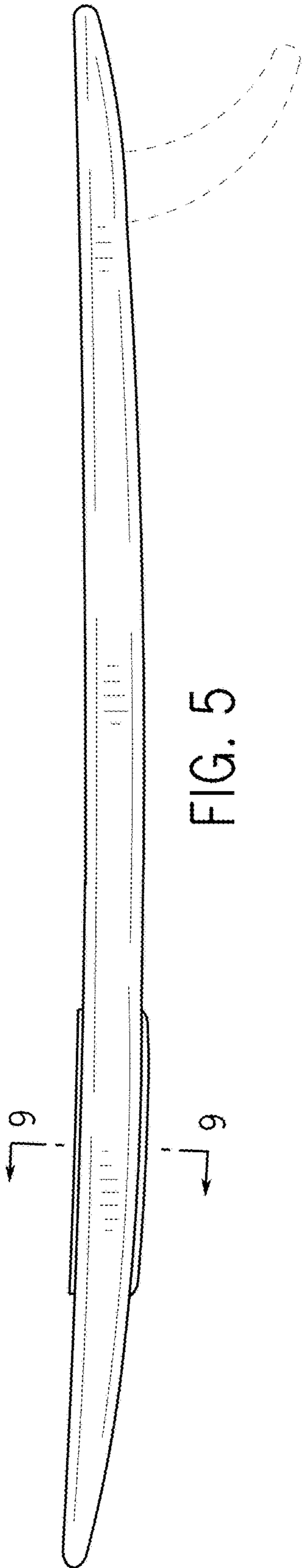


FIG. 5

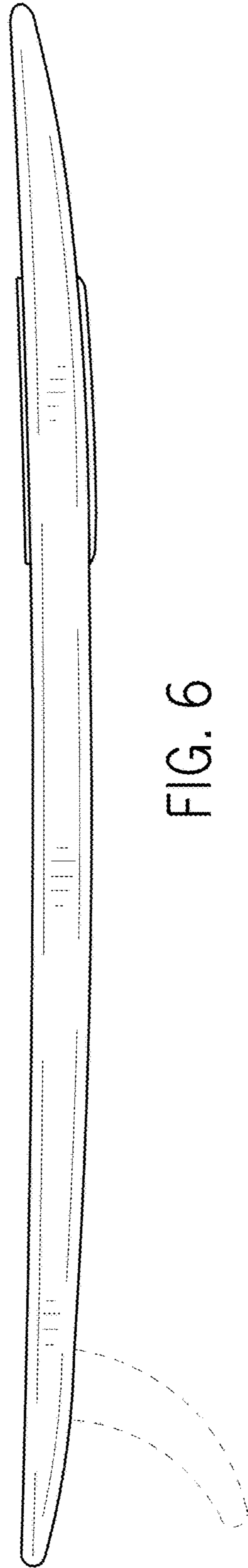


FIG. 6

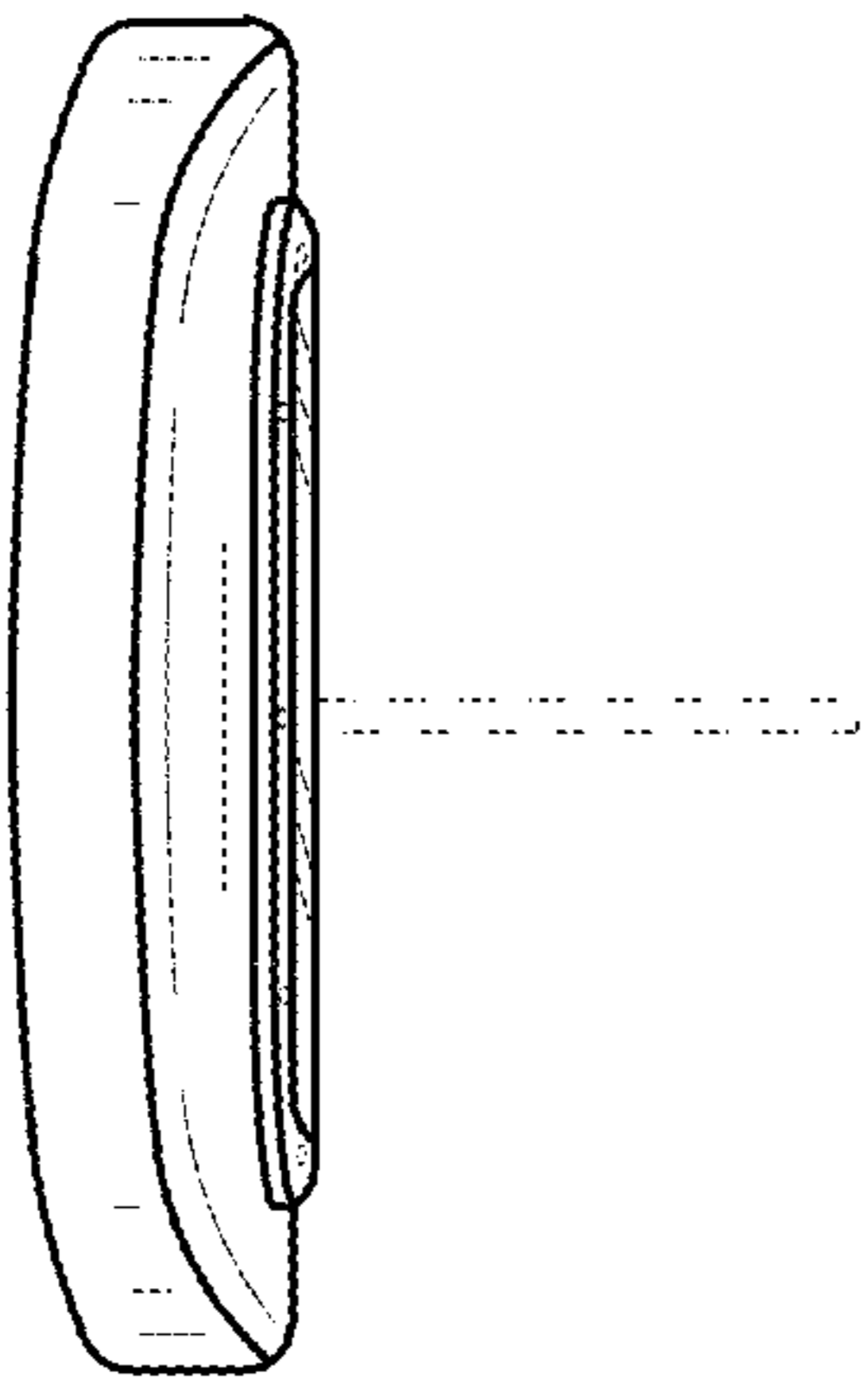


FIG. 7

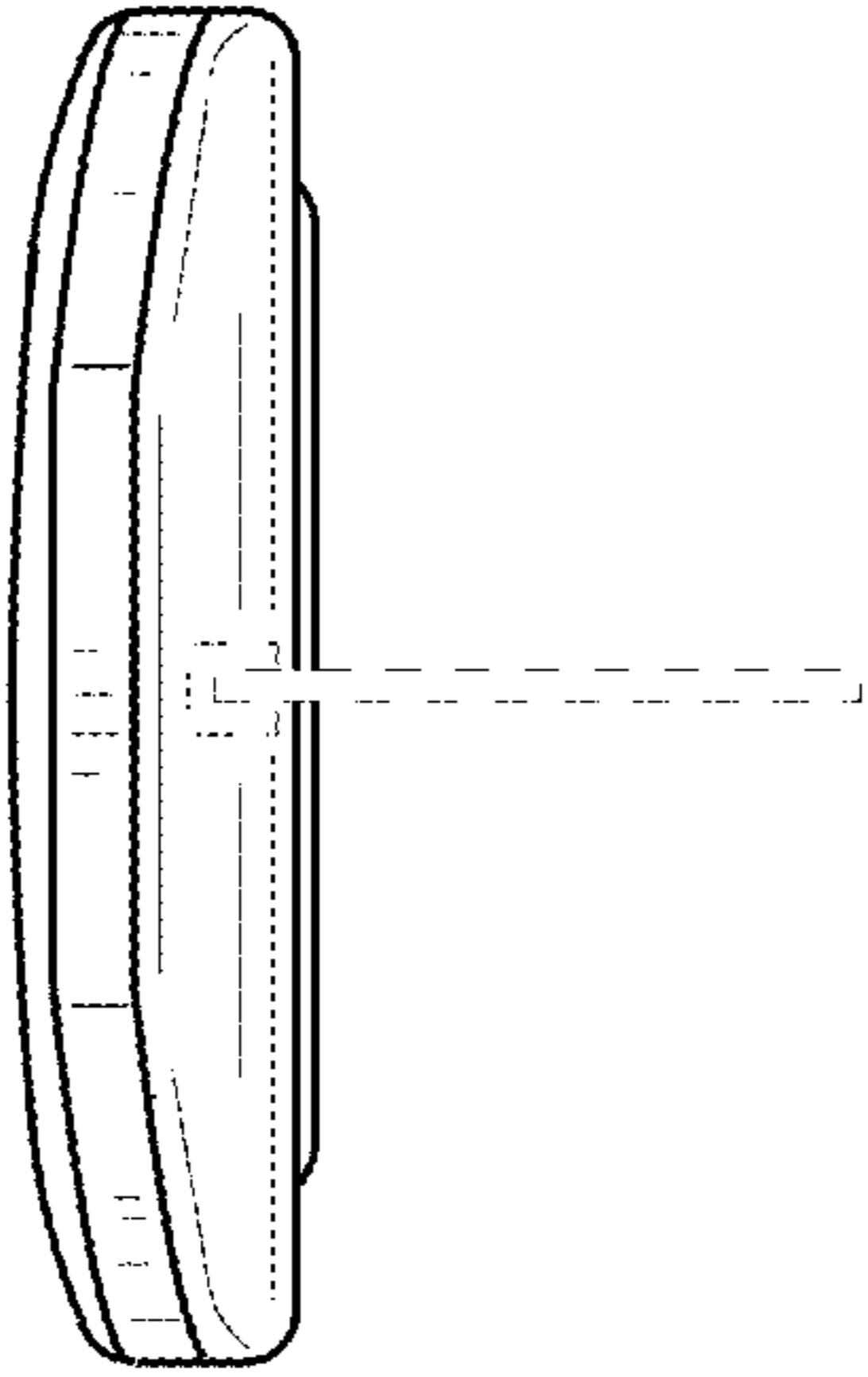


FIG. 8

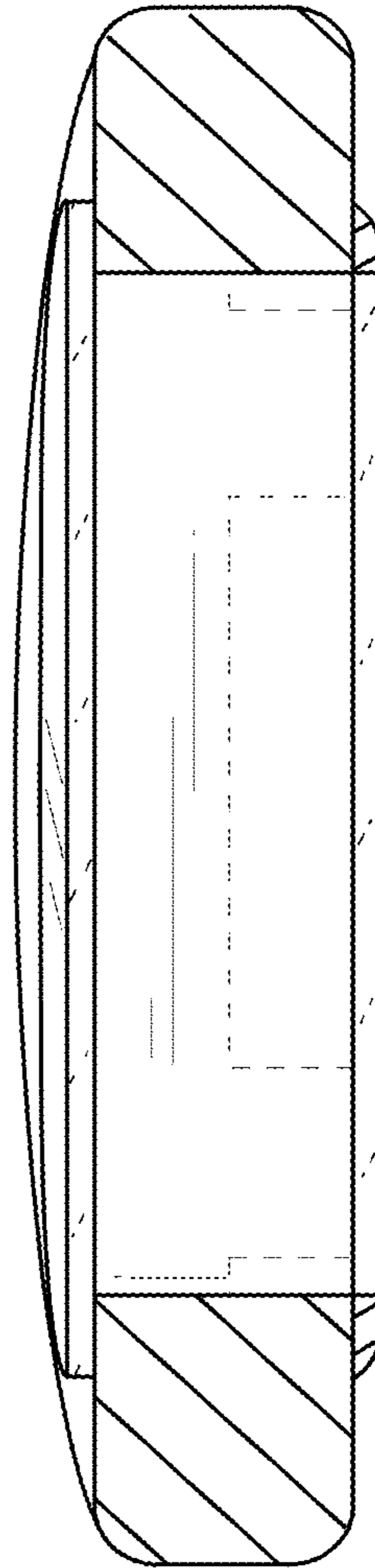


FIG. 9