



US00D785735S

(12) **United States Design Patent**
Bacon et al.

(10) **Patent No.:** **US D785,735 S**

(45) **Date of Patent:** **** May 2, 2017**

- (54) **GOLF CLUB HEAD**
- (71) Applicant: **Karsten Manufacturing Corporation**,
Phoenix, AZ (US)
- (72) Inventors: **Cory Bacon**, Phoenix, AZ (US); **Ryan Stokke**, Phoenix, AZ (US); **Martin Jertson**, Phoenix, AZ (US); **Xiaojian Chen**, Phoenix, AZ (US); **Daniel Lee**, Phoenix, AZ (US)
- (73) Assignee: **Karsten Manufacturing Corporation**,
Phoenix, AZ (US)
- (**) Term: **15 Years**
- (21) Appl. No.: **29/540,205**
- (22) Filed: **Sep. 22, 2015**
- (51) **LOC (10) Cl.** **21-02**
- (52) **U.S. Cl.**
USPC **D21/752**
- (58) **Field of Classification Search**
USPC D21/759, 752
CPC A63B 53/04; A63B 53/0466; A63B 2053/002; A63B 2053/0445; A63B 2053/0433; A63B 2053/0437; A63B 2053/0491
See application file for complete search history.

D557,362 S	*	12/2007	Serrano	D21/752
D557,363 S		12/2007	Jertson		
D558,287 S		12/2007	Jertson		
D558,288 S		12/2007	Jertson		
D562,421 S		2/2008	Jertson		
D563,498 S		3/2008	Jertson		
D564,054 S		3/2008	Jertson		
D564,055 S		3/2008	Jertson		
D564,056 S		3/2008	Chen		
D566,214 S		4/2008	Evans		
D567,317 S		4/2008	Jertson		
D567,891 S		4/2008	Serrano		
D569,933 S		5/2008	Jertson		
D569,934 S		5/2008	Jertson		
D569,935 S		5/2008	Schweigert		
D569,936 S		5/2008	Schweigert		
D569,937 S		5/2008	Sanchez		
D569,938 S		5/2008	Sanchez		
D570,937 S		6/2008	Schweigert		
D570,938 S		6/2008	Jertson		

(Continued)

Primary Examiner — Mitchell Siegel

(57) **CLAIM**

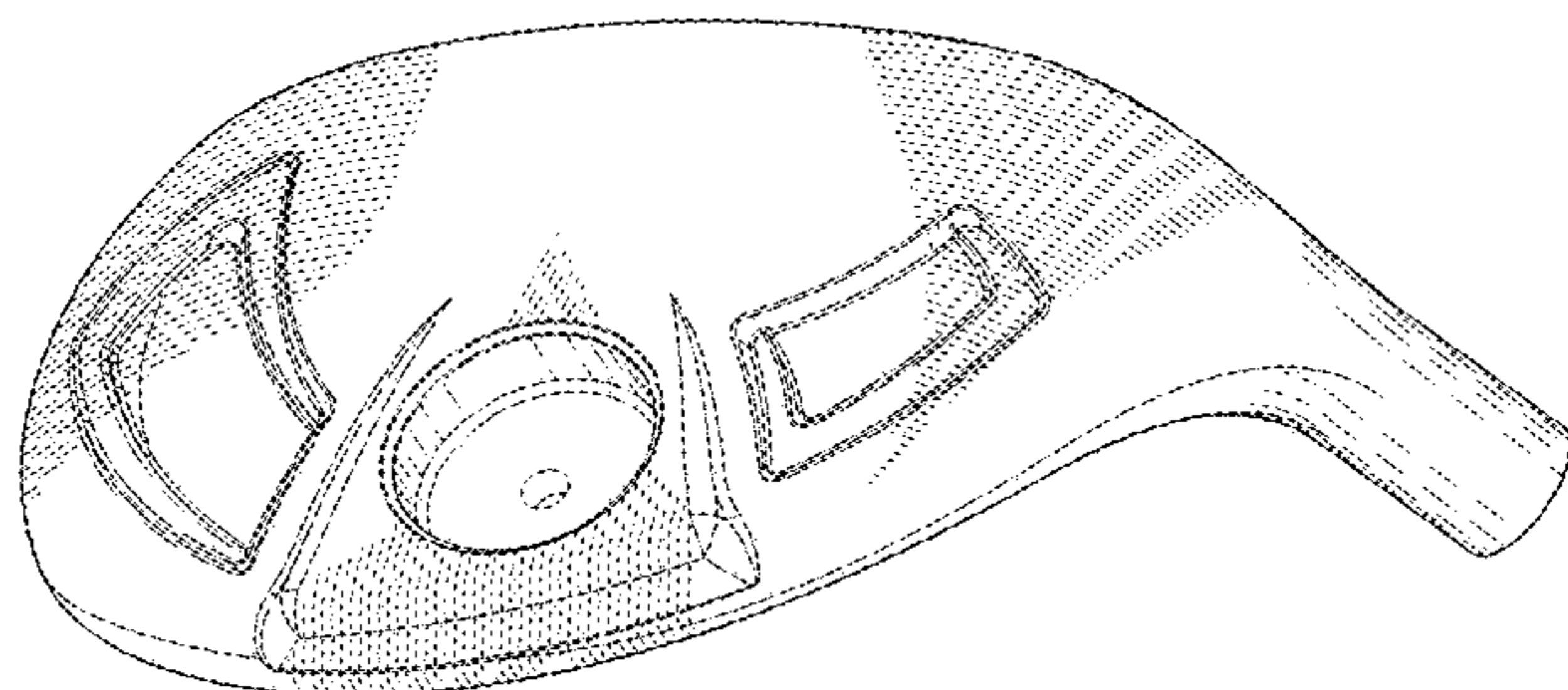
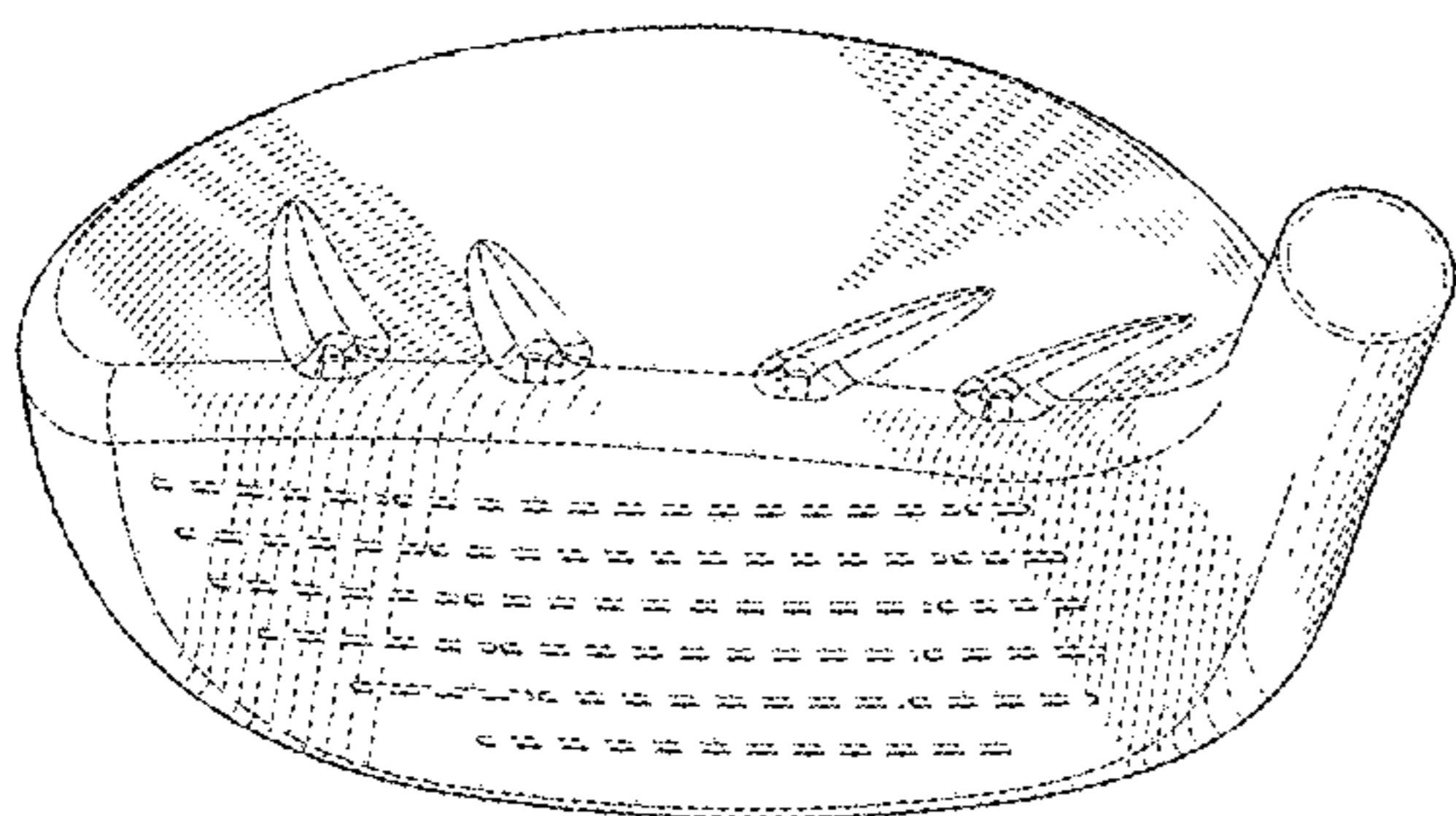
The ornamental design for a golf club head, as shown and described.

DESCRIPTION

FIG. 1 is a top perspective view of a golf club head;
 FIG. 2 is a bottom perspective view of the golf club head of FIG. 1;
 FIG. 3 is a front view of the golf club head of FIG. 1;
 FIG. 4 is a rear view of the golf club head of FIG. 1;
 FIG. 5 is a top view of the golf club head of FIG. 1;
 FIG. 6 is a bottom view of the golf club head of FIG. 1;
 FIG. 7 is a left view of the golf club head of FIG. 1; and,
 FIG. 8 is a right view of the golf club head of FIG. 1.
 The broken lines shown in one or more of the figures are for illustrative purposes only and form no part of the claimed design.

1 Claim, 4 Drawing Sheets

- (56) **References Cited**
U.S. PATENT DOCUMENTS
- D482,419 S * 11/2003 Burrows D21/752
- D486,542 S * 2/2004 Burrows D21/752
- D490,870 S * 6/2004 Burrows D21/752
- D508,275 S * 8/2005 Burrows D21/752
- D534,979 S * 1/2007 Chau D21/759
- D537,139 S * 2/2007 Breier D21/759
- D537,895 S * 3/2007 Breier D21/752
- D538,370 S * 3/2007 Breier D21/759
- D553,206 S 10/2007 Morales



(56)

References Cited

U.S. PATENT DOCUMENTS

D570,939 S	6/2008	Chen	
D570,940 S	6/2008	Chen	
D570,941 S	6/2008	Chen	
D571,882 S *	6/2008	Soracco	D21/752
D572,324 S	7/2008	Chen	
D572,782 S	7/2008	Sanchez	
D572,783 S	7/2008	Sanchez	
D572,784 S	7/2008	Sanchez	
D572,785 S	7/2008	Chen	
D572,787 S	7/2008	Sanchez	
D572,791 S	7/2008	Jertson	
D573,213 S	7/2008	Sanchez	
D573,214 S	7/2008	Sanchez	
D573,215 S	7/2008	Sanchez	
D573,216 S	7/2008	Sanchez	
D573,217 S	7/2008	Sanchez	
D573,218 S	7/2008	Sanchez	
D573,674 S	7/2008	Sanchez	
D573,675 S	7/2008	Sanchez	
D573,676 S	7/2008	Chen	
D573,678 S	7/2008	Kawami	
D574,046 S	7/2008	Chen	
D574,048 S	7/2008	Kadoya	
D574,049 S	7/2008	Kadoya	
D574,050 S	7/2008	Jones	
7,396,296 B2	7/2008	Evans	
D574,456 S	8/2008	Chen	
D578,587 S	10/2008	Hoffman	
D579,066 S	10/2008	Dipert	
D579,067 S	10/2008	Hoffman	
D580,504 S *	11/2008	Bosilkovski	D21/752
D583,432 S	12/2008	Serrano	
D587,772 S	3/2009	Ferguson	
D588,217 S	3/2009	Jertson	
D588,220 S	3/2009	Ferguson	
D588,659 S	3/2009	Jertson	
D589,576 S	3/2009	Kadoya	
7,503,854 B2	3/2009	Galloway	
D591,810 S *	5/2009	Murphy	D21/752
D591,816 S *	5/2009	Vehse	D21/759
D591,817 S *	5/2009	Murphy	D21/759
D591,818 S *	5/2009	Roberts	D21/759
D594,518 S	6/2009	Schweigert	
D594,521 S	6/2009	Jertson	
D594,919 S	6/2009	Schweigert	
D595,381 S	6/2009	Waggoner	
D596,252 S	7/2009	Jertson	
D598,062 S	8/2009	Dipert	
D600,297 S	9/2009	Jertson	
D603,472 S	11/2009	Schweigert	
D603,919 S	11/2009	Gray	
D604,376 S	11/2009	Darley	
D609,293 S	2/2010	Williams	
D609,294 S	2/2010	Oldknow	
D611,555 S	3/2010	Oldknow	
D612,005 S	3/2010	Oldknow	
D613,805 S	4/2010	Sutovsky	
7,717,807 B2	5/2010	Evans et al.	
D618,747 S	6/2010	Schweigert	
D618,753 S *	6/2010	Jertson	D21/759
D618,754 S	6/2010	Schweigert	
D621,892 S	8/2010	Kohno	
7,892,111 B2	2/2011	Morales	
D635,626 S	4/2011	Nicolette	
D638,896 S	5/2011	Schweigert	
7,934,998 B2	5/2011	Yokota	
8,012,034 B1	9/2011	Cackett	
8,012,038 B1	9/2011	Beach et al.	
D647,585 S	10/2011	Jertson	
D661,751 S	6/2012	Nicolette	
D661,752 S	6/2012	Stokke	
D661,756 S	6/2012	Nicolette	
D661,757 S	6/2012	Stokke	
8,235,841 B2	8/2012	Stites et al.	
D669,546 S *	10/2012	Llewellyn	D21/752
D669,948 S *	10/2012	Sakamoto	D21/752
D669,949 S *	10/2012	Sakamoto	D21/752
8,337,319 B2	12/2012	Sargent et al.	
8,337,326 B2	12/2012	Lukasiewicz, Jr.	
8,337,328 B2	12/2012	Foster et al.	
D673,630 S *	1/2013	Schweigert	D21/752
D673,632 S	1/2013	Schweigert	
D680,179 S *	4/2013	Solheim	D21/752
D686,291 S	7/2013	Foster	
D687,503 S	8/2013	Solheim	
D691,230 S	10/2013	Chen et al.	
D696,739 S	12/2013	Stokke et al.	
D705,879 S *	5/2014	Chen	D21/752
D707,765 S	6/2014	Engel et al.	
D709,153 S	7/2014	Fossum et al.	
D709,574 S	7/2014	Bacon et al.	
D720,025 S	12/2014	Nicolette	
D721,147 S *	1/2015	Chen	D21/759
D721,777 S *	1/2015	Chen	D21/759
D754,271 S *	4/2016	Chen	D21/759
D755,317 S *	5/2016	Chen	D21/759
D763,983 S *	8/2016	Tang	D21/752
2006/0052181 A1 *	3/2006	Serrano	A63B 53/0466 473/345
2008/0171612 A1	7/2008	Serrano	
2008/0188322 A1	8/2008	Anderson	
2009/0275419 A1	11/2009	Cackett	
2010/0267461 A1	10/2010	Stites	
2011/0053702 A1	3/2011	Stites et al.	
2011/0143858 A1	6/2011	Peralta	
2012/0252597 A1	10/2012	Thomas	
2013/0029781 A1	1/2013	Beno et al.	

* cited by examiner

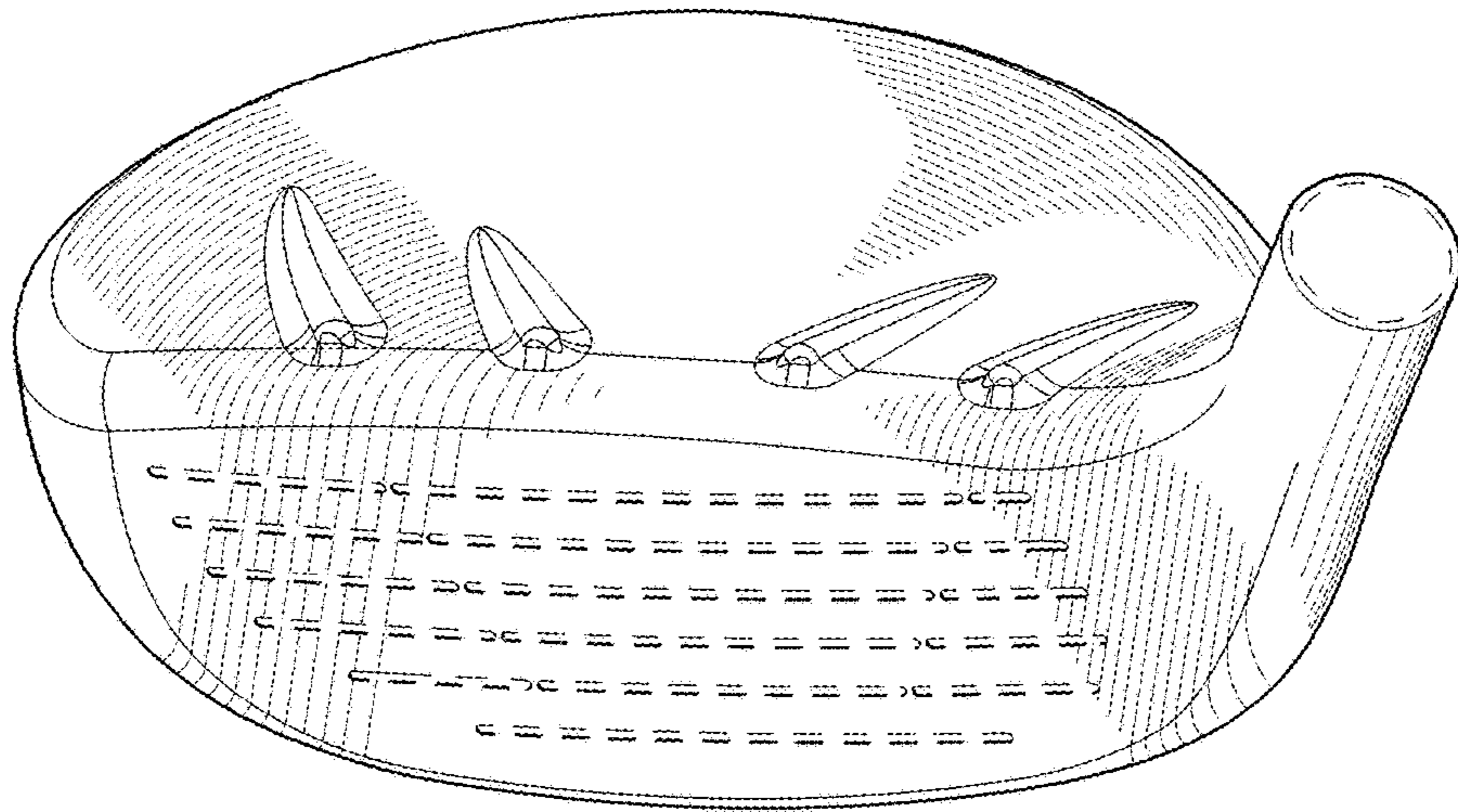


Fig. 1

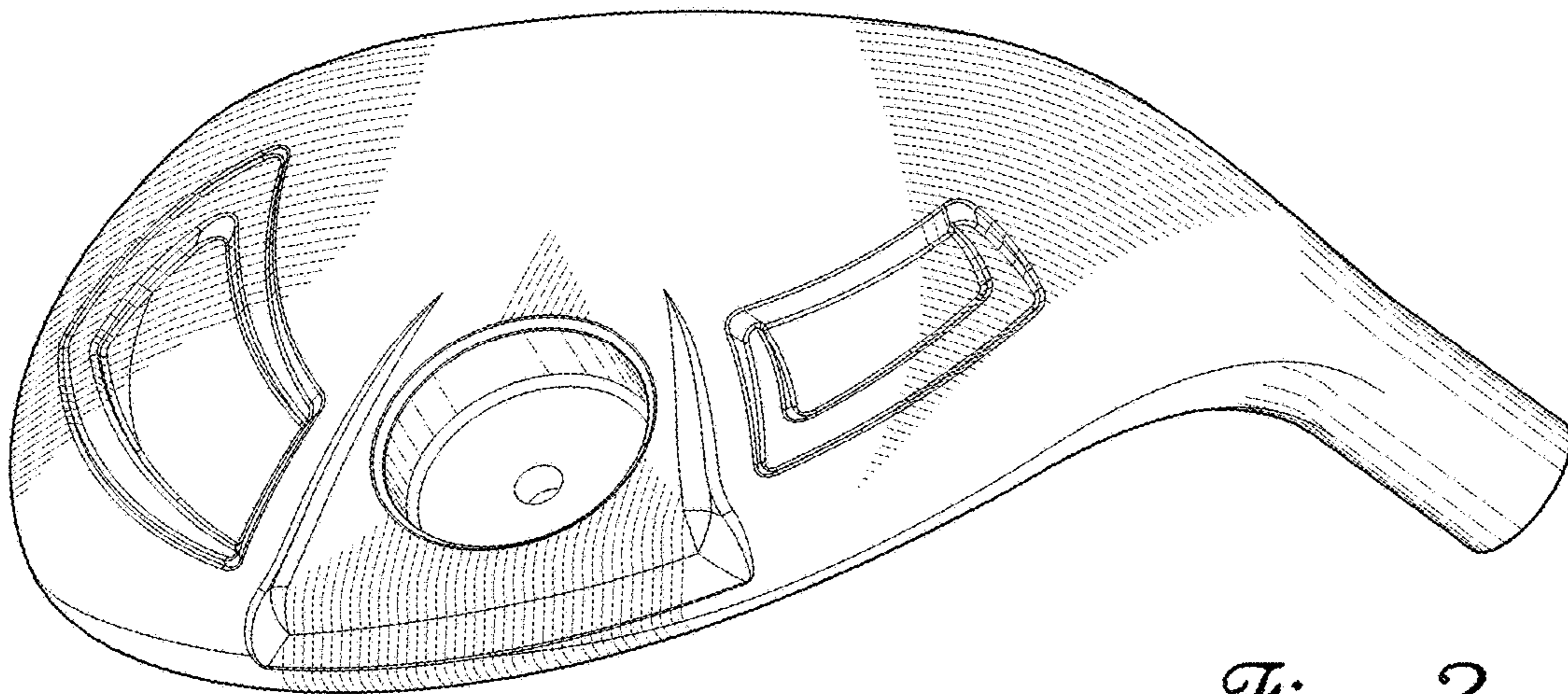


Fig. 2

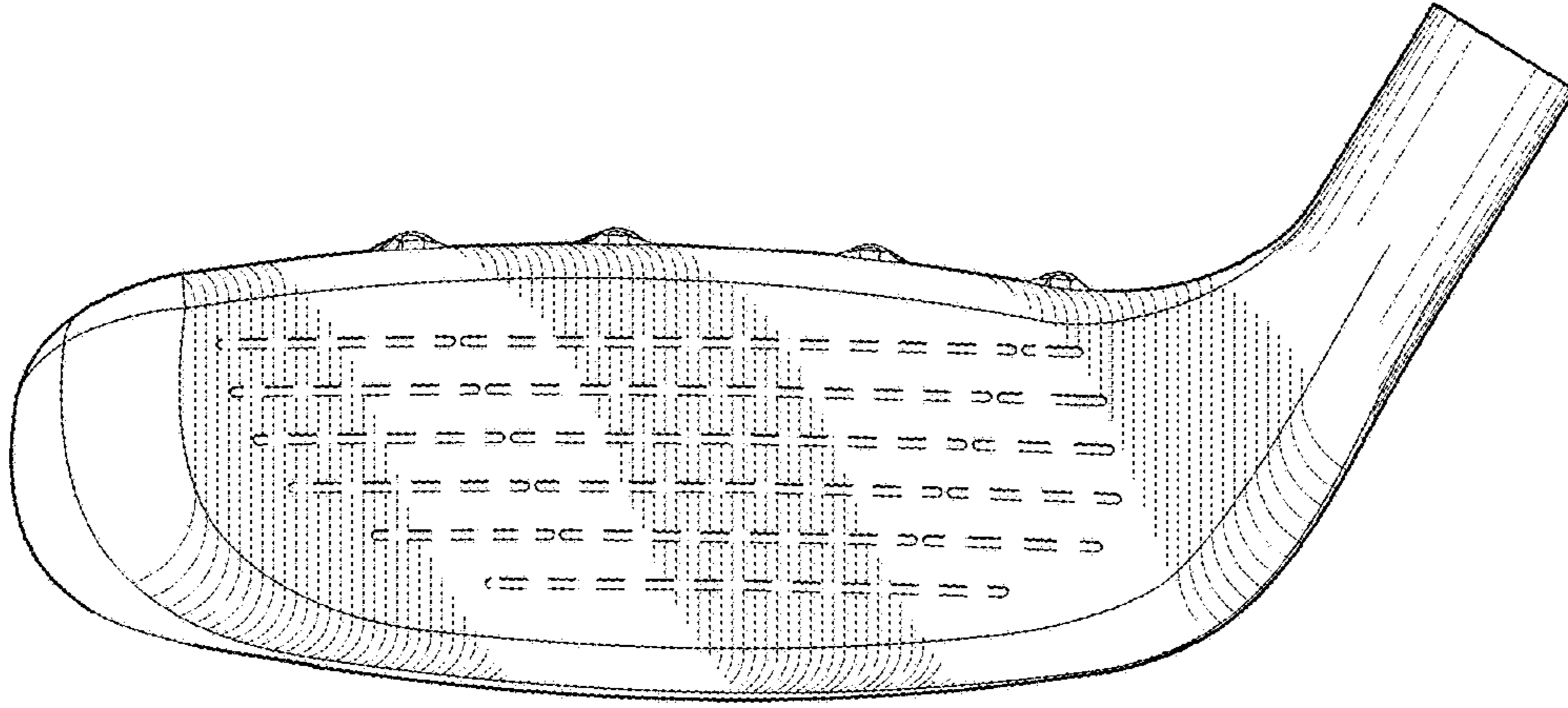


Fig. 3

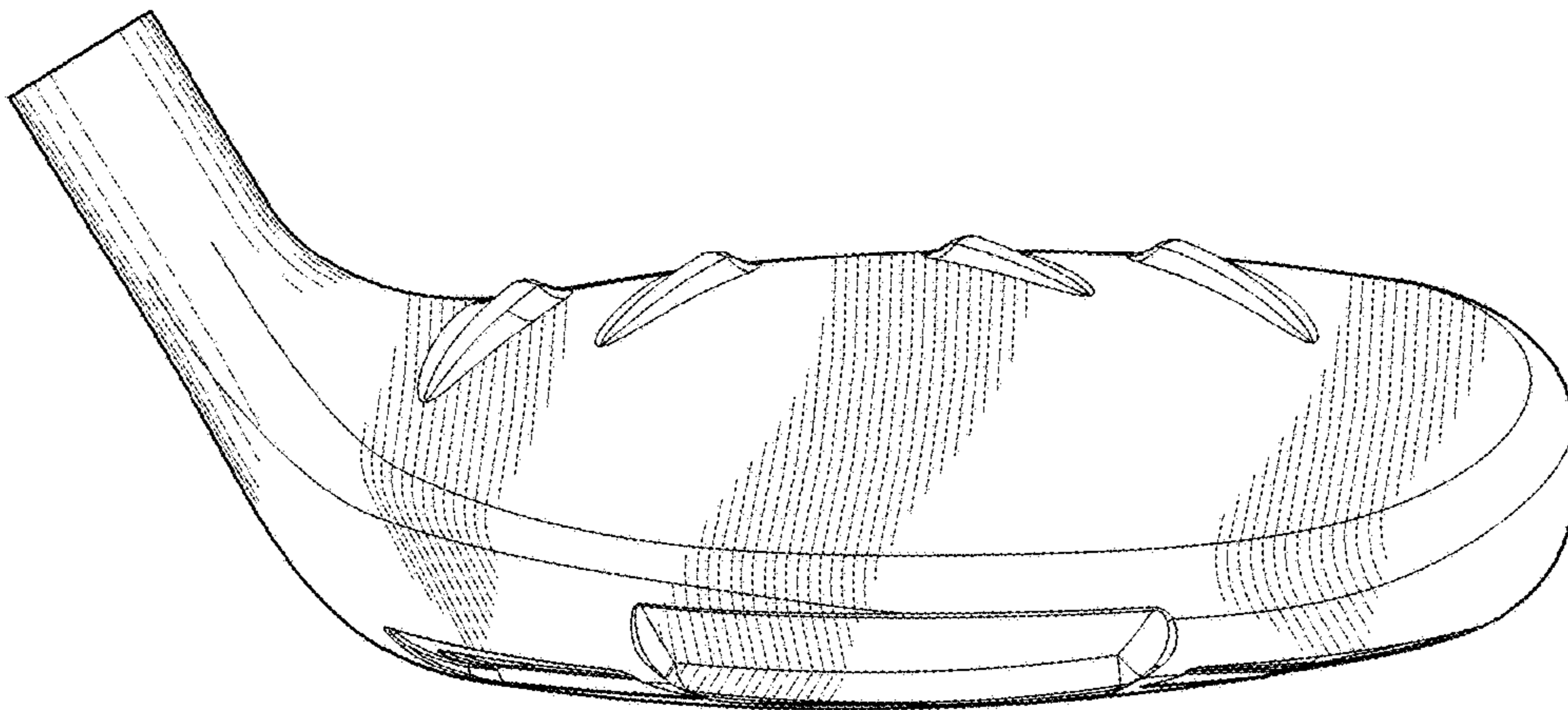


Fig. 4

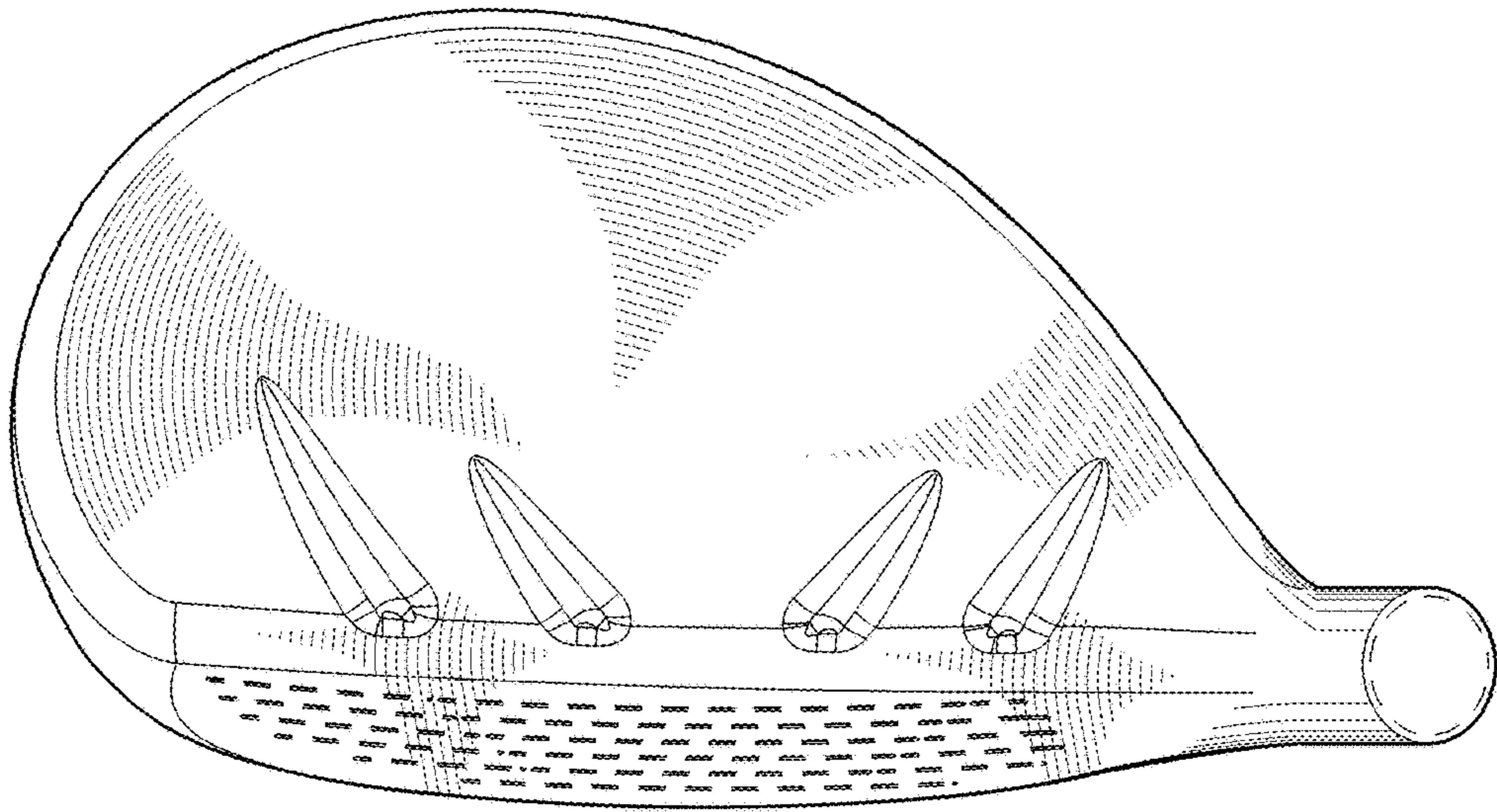


Fig. 5

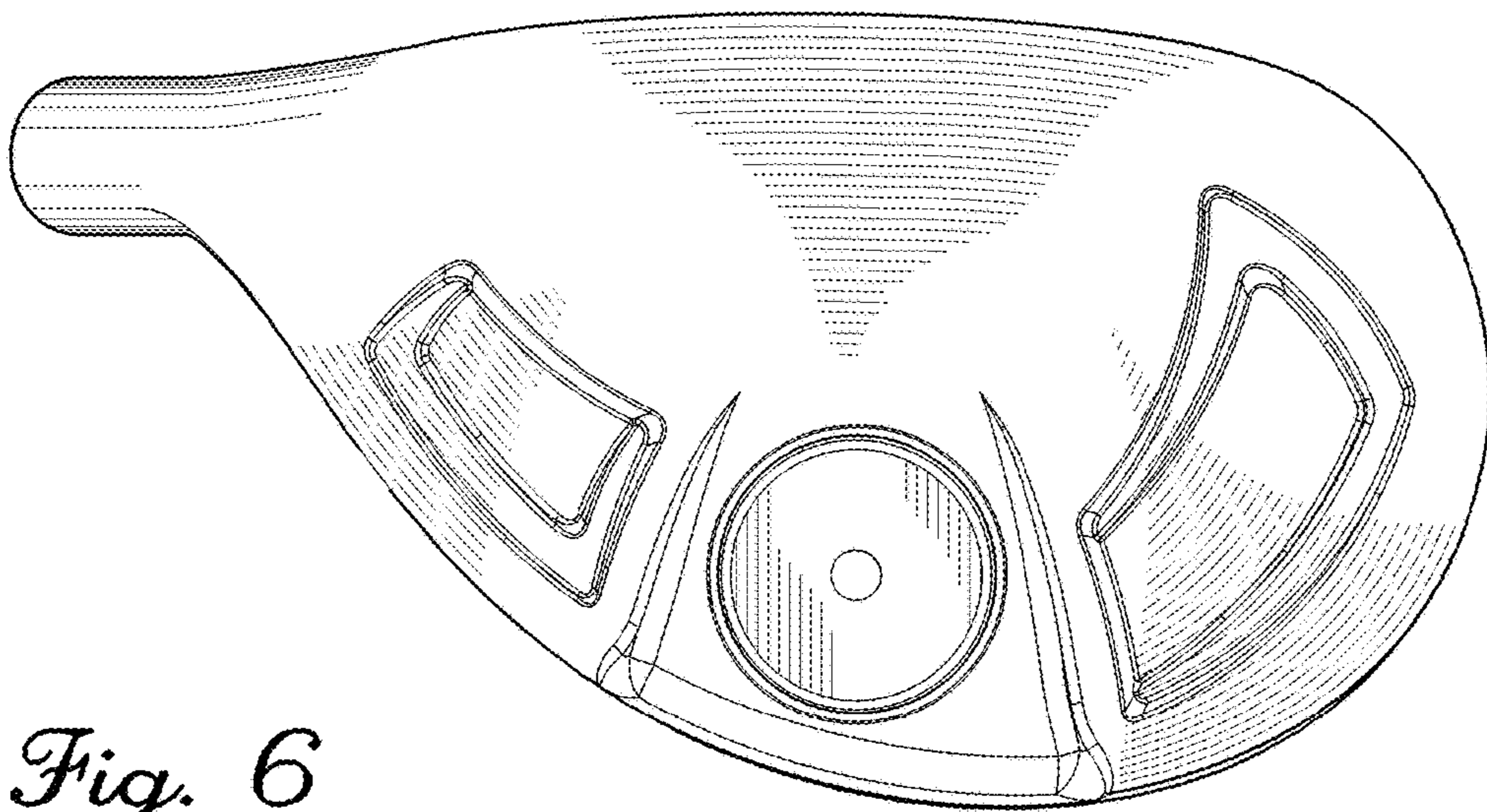


Fig. 6

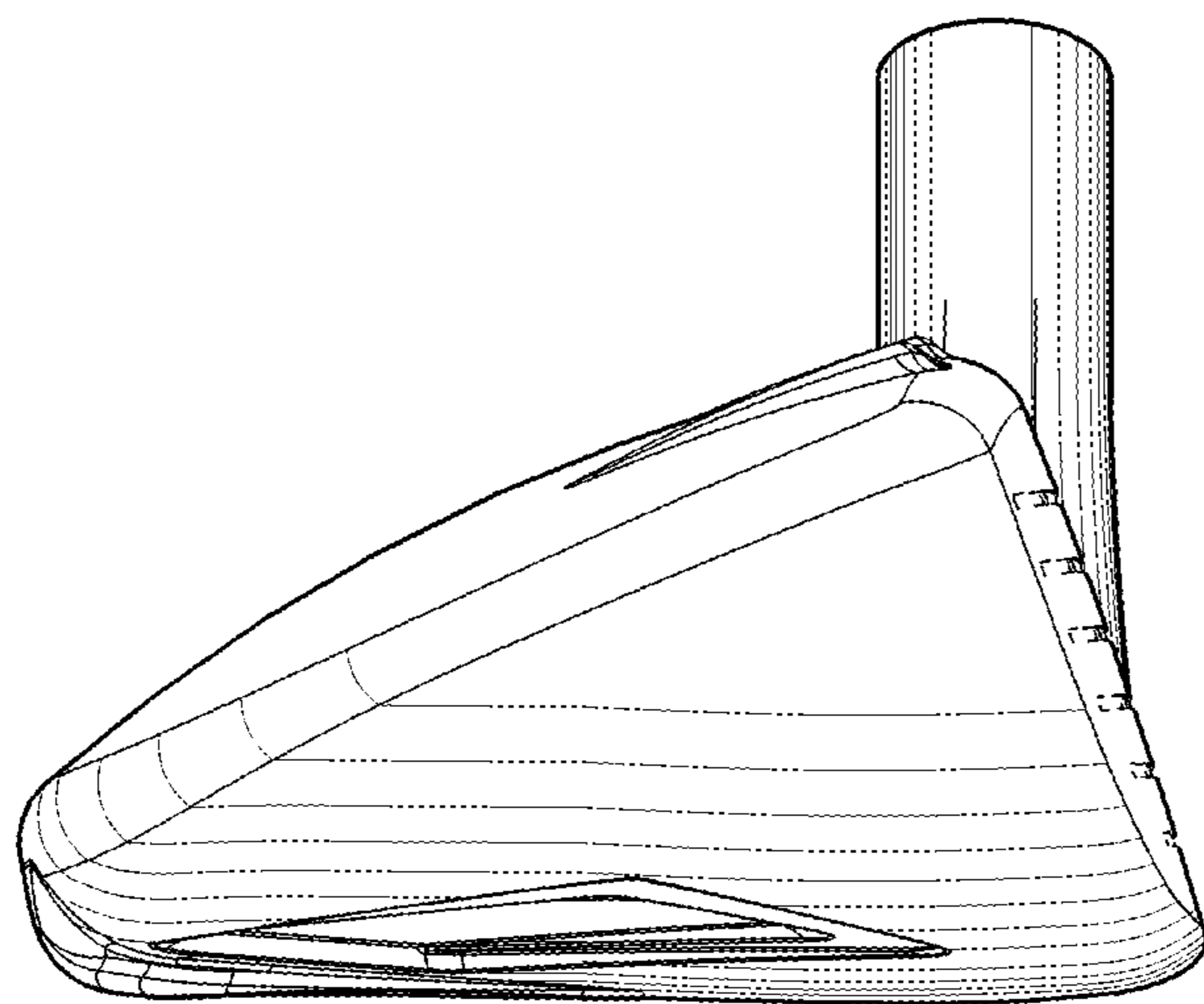


Fig. 7

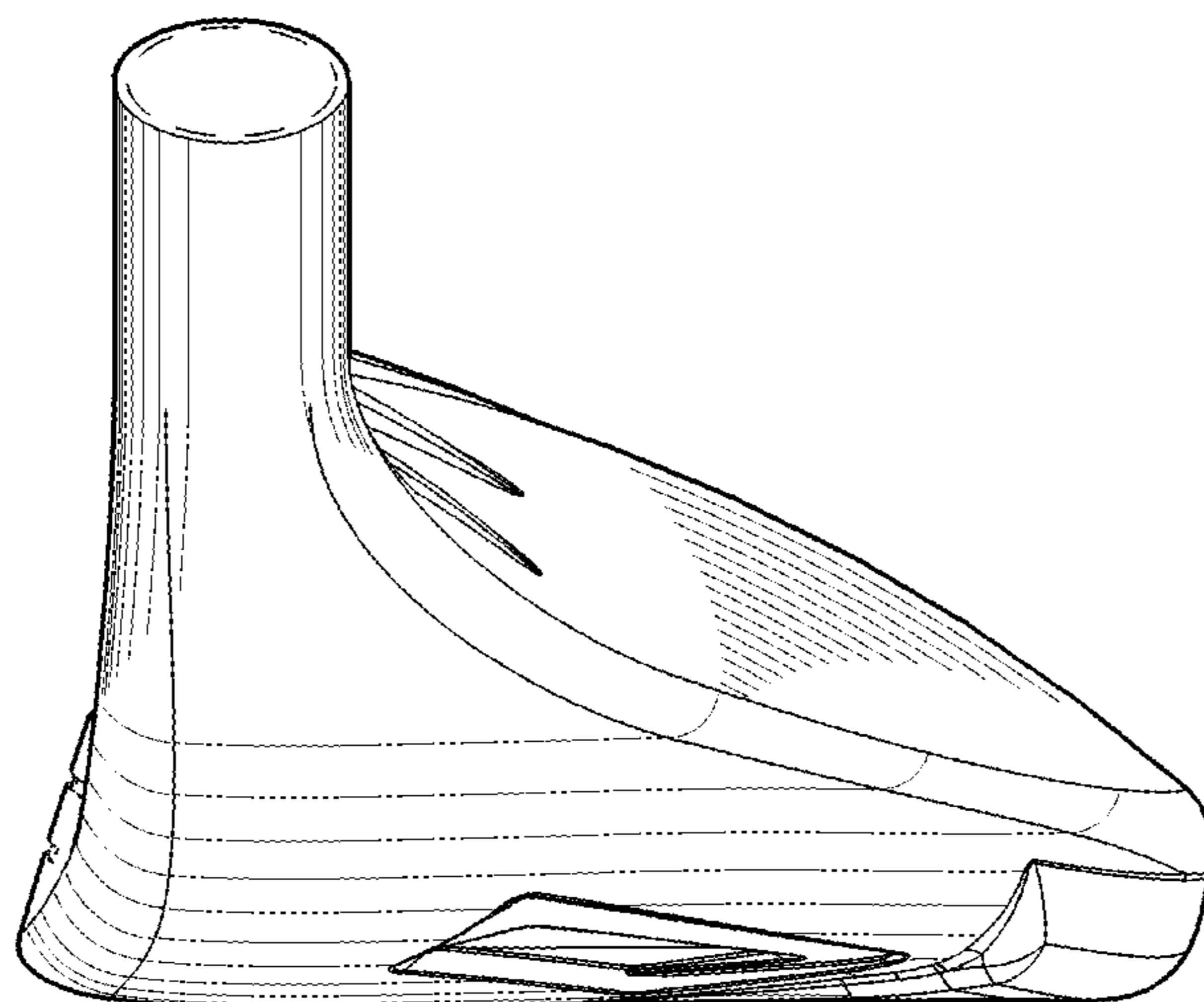


Fig. 8