



US00D785731S

(12) **United States Design Patent** (10) **Patent No.:** **US D785,731 S**
Stack (45) **Date of Patent:** **** May 2, 2017**

(54) **BALANCE EXERCISE BOARD**
(71) Applicant: **Louis J. Stack**, Calgary (CA)
(72) Inventor: **Louis J. Stack**, Calgary (CA)
(**) Term: **15 Years**
(21) Appl. No.: **29/564,109**
(22) Filed: **May 10, 2016**
(51) **LOC (10) Cl.** **21-02**
(52) **U.S. Cl.**
USPC **D21/688**
(58) **Field of Classification Search**
USPC 482/142, 52, 51, 30, 74, 91, 140, 25, 94,
482/105, 93, 110, 146, 125, 126, 123,
482/139, 79, 80, 71, 147, 34, 77;
428/122; D21/797, 694, 671, 686, 698,
D21/699, 680, 685, 692, 662, 687, 689,
D21/318, 688, 412, 333, 683, 798, 421,
D21/399; D6/349, 582, 592, 335, 350,
D6/583, 588, 585; 297/461, 223, 423.41;
248/678; 473/278, 218, 269; 280/205,
280/87.042, 609; D19/59
CPC A63B 26/003; A63B 22/16; A63B 22/18;
A63B 21/0442; A63B 2208/0204; A63B
21/0004; A63B 21/4035; A63B 23/0458;
A63B 69/0093; A63B 22/14
See application file for complete search history.

7,134,990 B2 * 11/2006 Wischusen A63B 21/0004
441/74
7,137,938 B2 11/2006 Gottlieb
D604,374 S * 11/2009 Bizzell D21/688
7,625,294 B1 * 12/2009 Isaac A63B 69/3667
473/218
7,775,952 B1 * 8/2010 Curran A63B 22/18
482/146
8,574,138 B2 11/2013 Geotsalitis
D730,456 S * 5/2015 Mahoney D21/671
9,079,072 B2 * 7/2015 Agostini A63B 22/18
D746,386 S * 12/2015 Mahoney D21/671
9,259,616 B2 2/2016 Carr
2001/0006926 A1 * 7/2001 Schwickrath A63B 21/0004
482/105
2008/0020856 A1 * 1/2008 Rosa A63B 26/003
473/269
2009/0197748 A1 * 8/2009 Smith A63B 21/0004
482/146
2012/0088642 A1 4/2012 Kulzer
(Continued)

Primary Examiner — Robert M Spear
Assistant Examiner — Ryan Harvey
(74) *Attorney, Agent, or Firm* — QuickPatents, LLC;
Kevin Prince

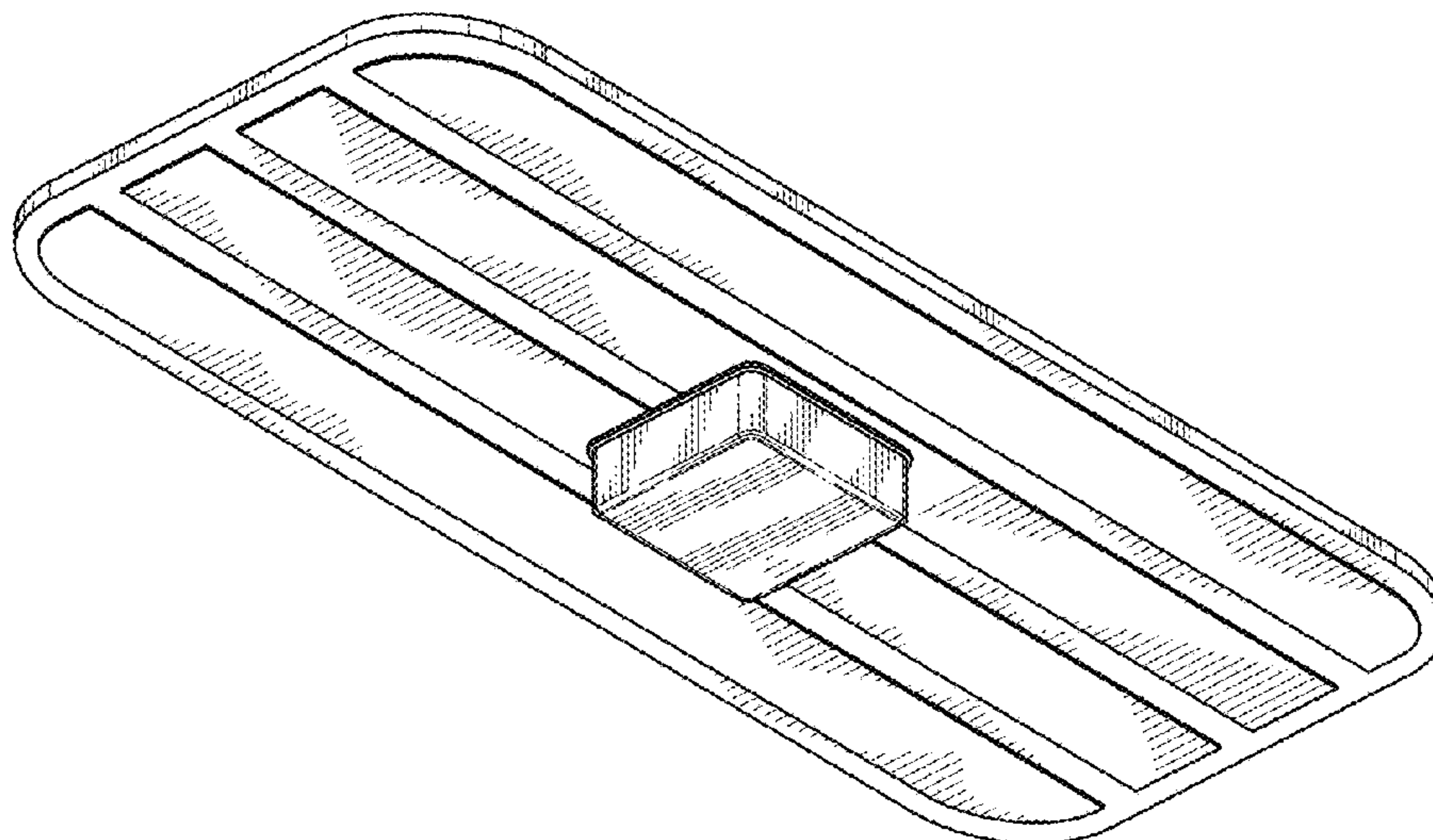
(57) **CLAIM**
I claim the ornamental design for a balance exercise board,
as shown and described.

DESCRIPTION

FIG. 1 is a bottom perspective view of a balance exercise board, showing my new design;
FIG. 2 is an exploded bottom perspective view thereof;
FIG. 3 is an exploded front elevational view thereof, the rear elevational view being a mirror image thereof;
FIG. 4 is an exploded left-side elevational view thereof, the right-side elevational view being a mirror image thereof;
FIG. 5 is a top plan view thereof; and,
FIG. 6 is a bottom plan view thereof.

1 Claim, 4 Drawing Sheets

(56) **References Cited**
U.S. PATENT DOCUMENTS
5,441,466 A * 8/1995 Piaget A63B 21/0085
297/423.46
5,643,164 A * 7/1997 Teff A61H 1/0266
482/146
6,616,583 B1 9/2003 Stack
D513,774 S * 1/2006 Nudo D21/698



(56)

References Cited

U.S. PATENT DOCUMENTS

2015/0133280 A1* 5/2015 Maximillian A63B 22/18
482/142
2015/0238820 A1 8/2015 Langer
2015/0321051 A1 11/2015 Olson

* cited by examiner

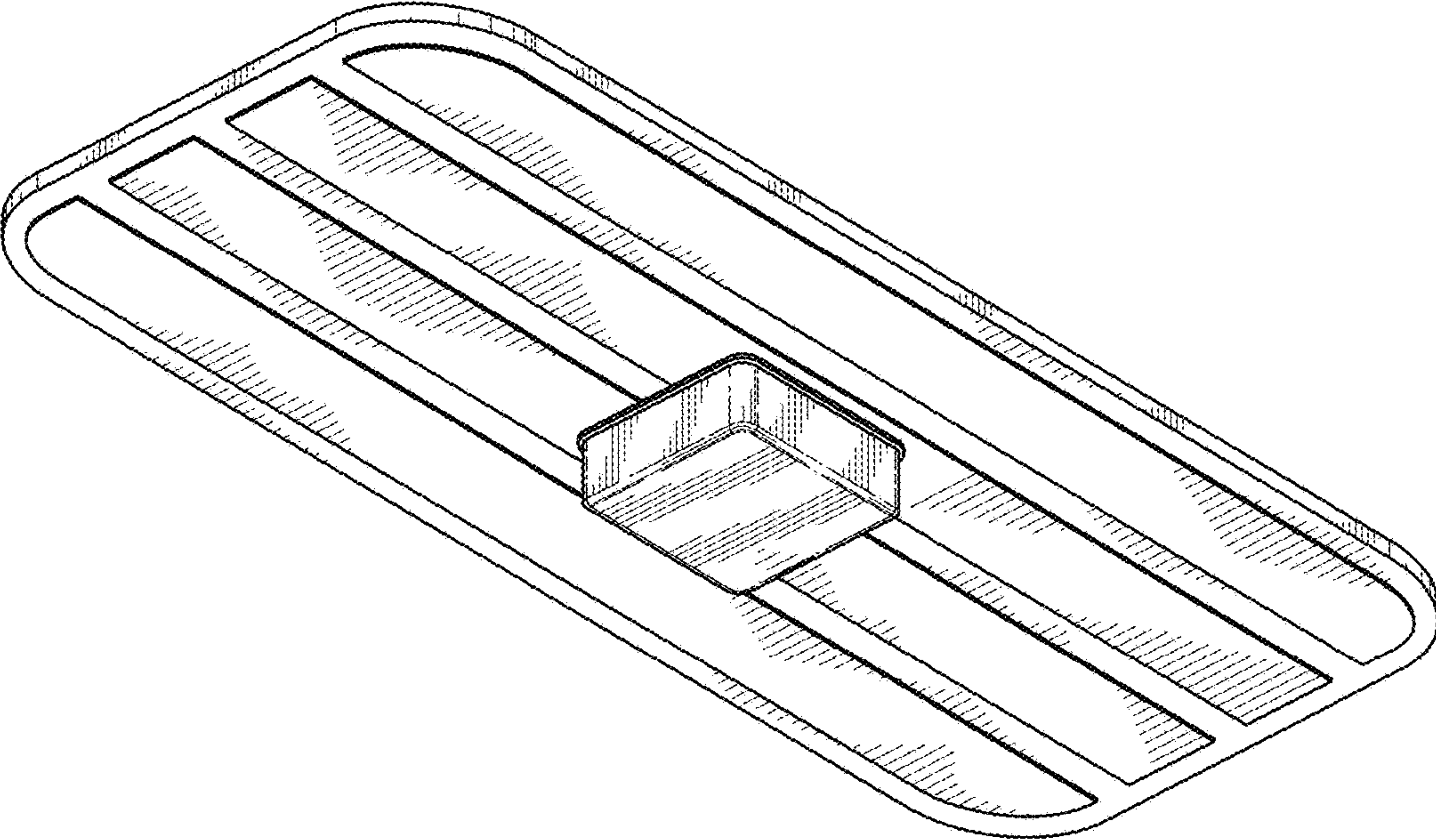


FIG. 1

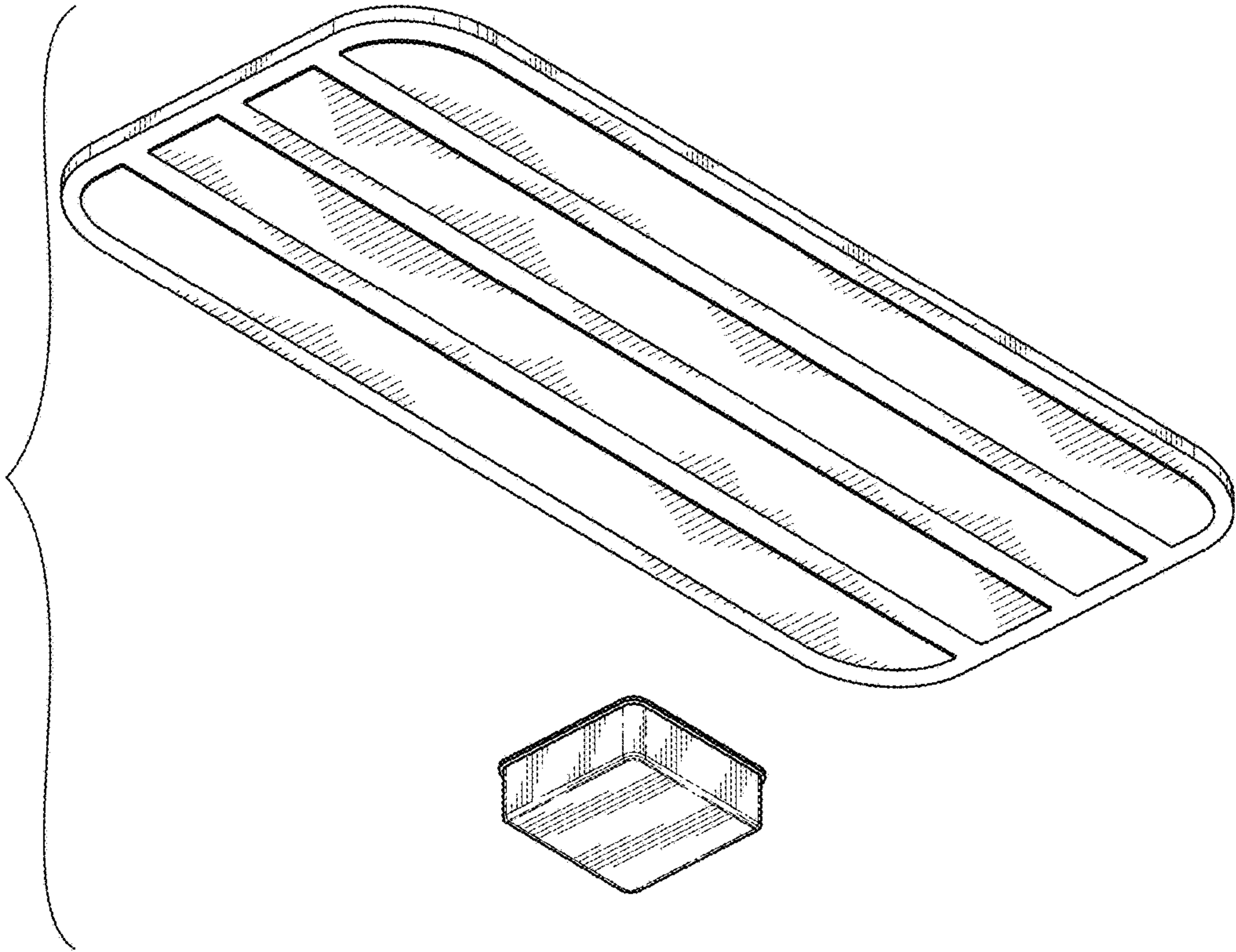


FIG. 2

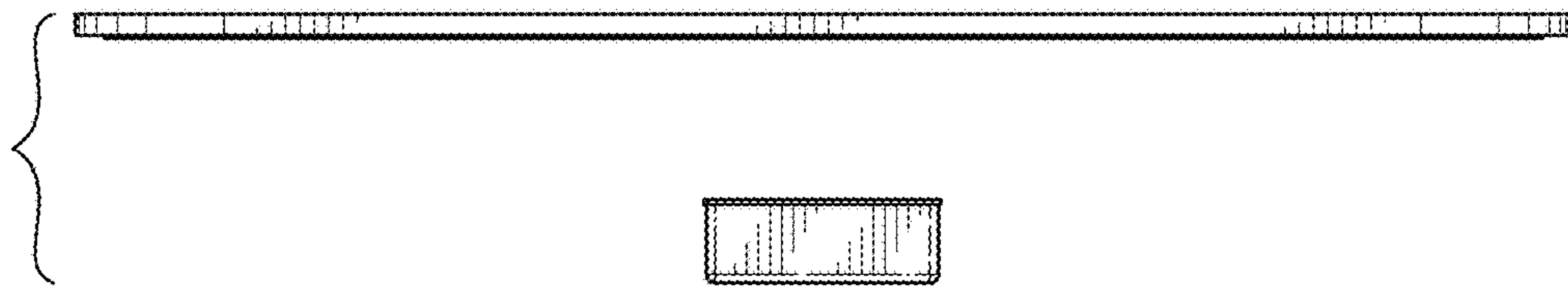


FIG. 3

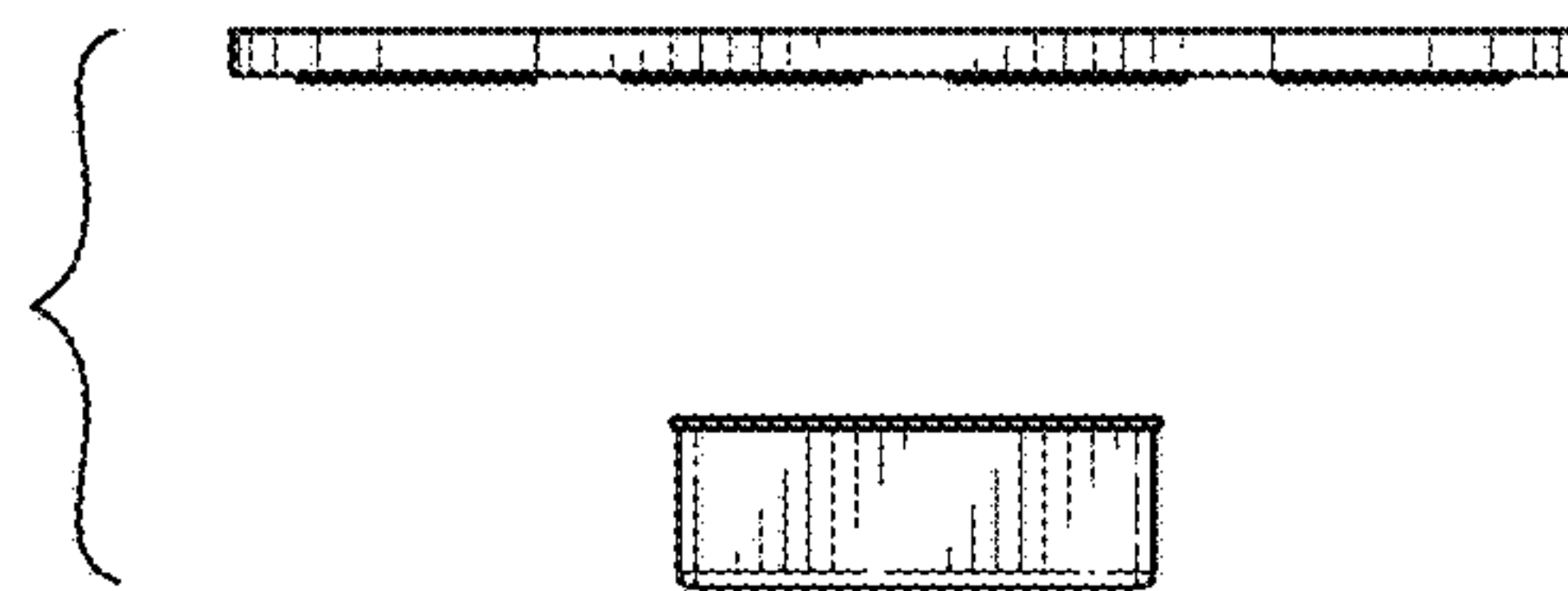


FIG. 4

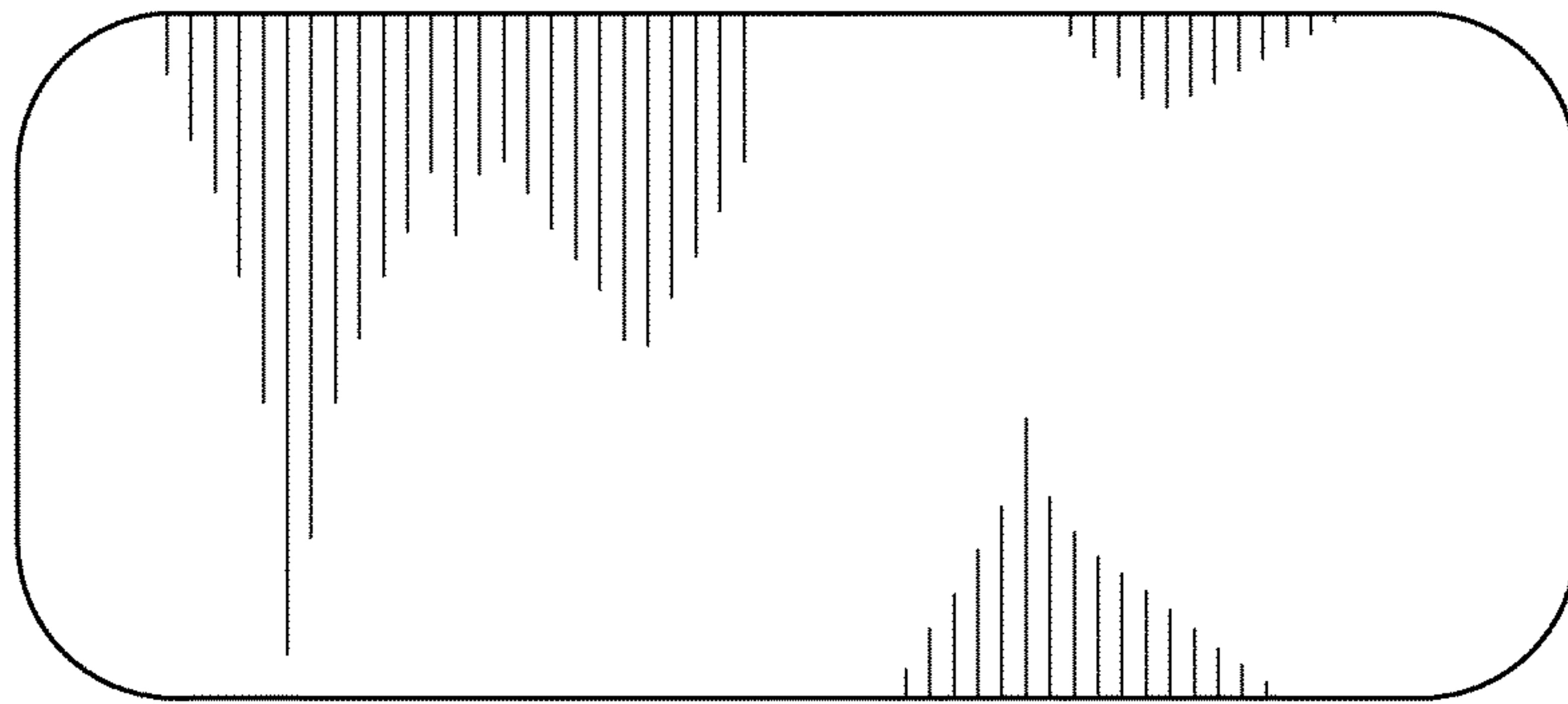


FIG. 5

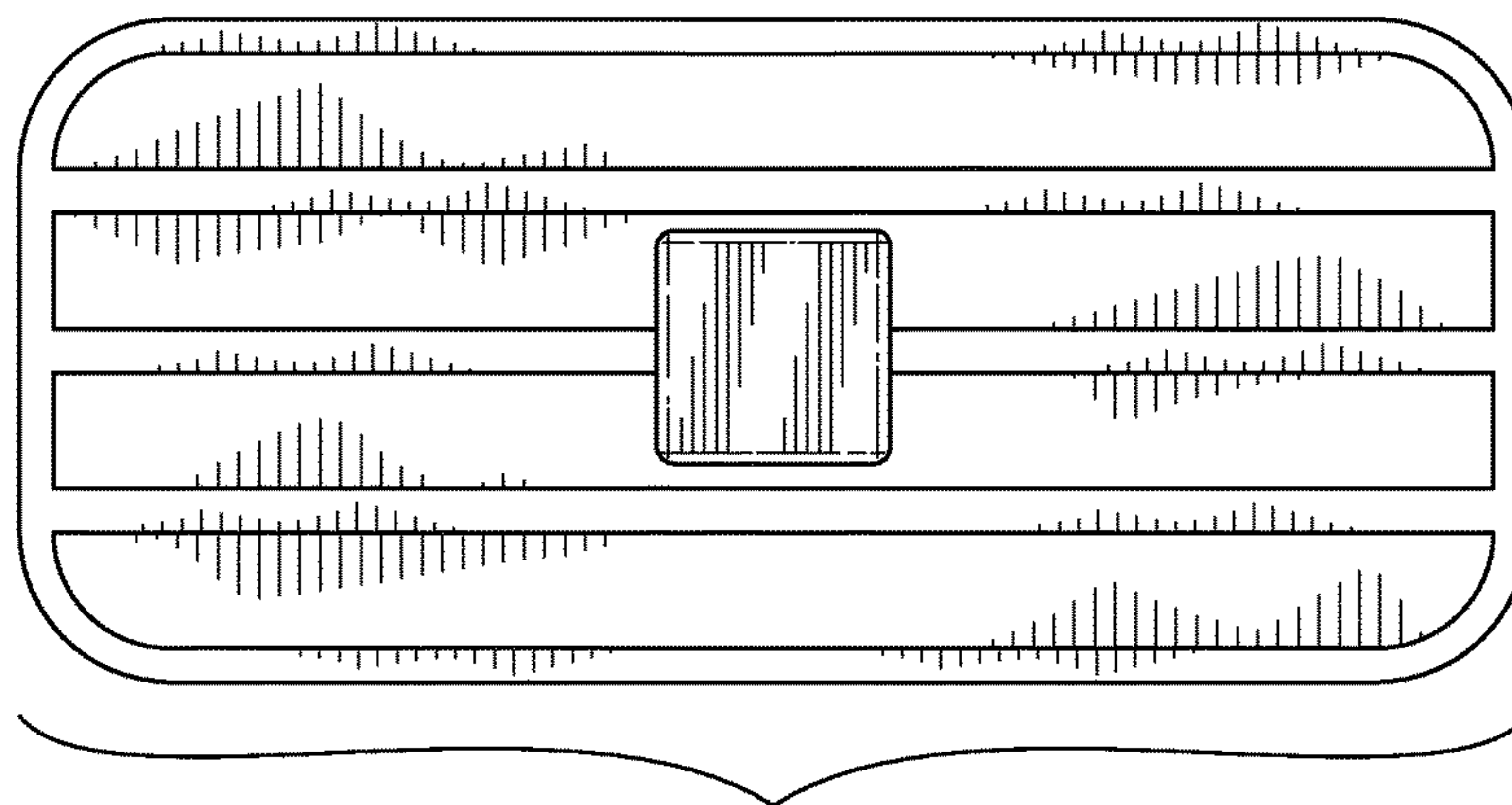


FIG. 6