



US00D785730S

(12) **United States Design Patent**
Huang et al.

(10) **Patent No.:** **US D785,730 S**

(45) **Date of Patent:** **** May 2, 2017**

(54) **ELLIPTICAL EXERCISE MACHINE**

(71) Applicant: **Dyaco International Inc.**, Taipei (TW)

(72) Inventors: **Hsuan-Fu Huang**, Taipei (TW);
Tung-Hsing Chang, Taipei (TW);
Han-Lin Liu, Taipei (TW)

(73) Assignee: **Dyaco International Inc.**, Taipei (TW)

(**) Term: **15 Years**

(21) Appl. No.: **29/544,902**

(22) Filed: **Nov. 6, 2015**

(51) **LOC (10) Cl.** **21-02**

(52) **U.S. Cl.**
USPC **D21/670**

(58) **Field of Classification Search**
USPC 482/142, 53, 79, 132, 147, 908, 49, 123,
482/129, 128, 127, 138, 112, 80, 146,
482/130, 118, 34, 126, 51; 601/32, 105,
601/148, 152, 27, 29, 46; D21/688, 668,
D21/670, 697, 694, 685, 673, 671;
188/83; D24/188, 212, 215; D6/349,
D6/351
CPC . A63B 23/08; A63B 21/0552; A63B 21/4015;
A63B 21/0442; A63B 21/0557; A63B
2208/0204

See application file for complete search history.

(56) **References Cited**

U.S. PATENT DOCUMENTS

| | | | | |
|----------------|---------|--------|-------|------------------------|
| D512,112 S * | 11/2005 | Nagano | | D21/668 |
| D559,925 S * | 1/2008 | Horita | | D21/668 |
| D565,129 S * | 3/2008 | Chang | | D21/668 |
| D567,310 S * | 4/2008 | Chen | | D21/668 |
| D567,314 S * | 4/2008 | Horita | | D21/694 |
| 7,377,879 B1 * | 5/2008 | Chen | | A63B 22/001 482/139 |
| D575,363 S * | 8/2008 | Horita | | D21/694 |
| 7,448,986 B1 * | 11/2008 | Porth | | A63B 22/001 482/52 |

| | | | | |
|----------------|---------|--------|-------|-----------------------|
| D606,599 S * | 12/2009 | Murray | | D21/668 |
| 7,666,122 B2 * | 2/2010 | Chiles | | A63B 22/001 482/51 |
| D703,278 S * | 4/2014 | Horita | | D21/668 |
| 8,734,298 B2 * | 5/2014 | Murray | | A63B 22/001 482/51 |
| 8,926,478 B2 * | 1/2015 | Huang | | A63B 22/001 482/51 |
| 8,979,713 B2 * | 3/2015 | Huang | | A63B 22/04 482/51 |
| 9,056,217 B2 * | 6/2015 | Kao | | A63B 21/15 |
| 9,199,115 B2 * | 12/2015 | Yim | | A63B 22/001 |
| 9,254,414 B2 * | 2/2016 | Liu | | A63B 22/0664 |

(Continued)

OTHER PUBLICATIONS

Sole E95 by Sole dated no date given. Found online [Nov. 4, 2016].
<http://www.solefitness.com.tw/products/product/51>.*

Primary Examiner — Robert M Spear

Assistant Examiner — Ryan Harvey

(74) *Attorney, Agent, or Firm* — Donald E. Stout; Stout,
Uxa & Buyan, LLP

(57) **CLAIM**

The ornamental design for an elliptical exercise machine, as shown and described.

DESCRIPTION

FIG. 1 is a perspective view of a design for an elliptical exercise machine showing our new design.

FIG. 2 is a another perspective view

FIG. 3 is a another perspective view

FIG. 4 is a front elevational view thereof.

FIG. 5 is a rear elevational view thereof.

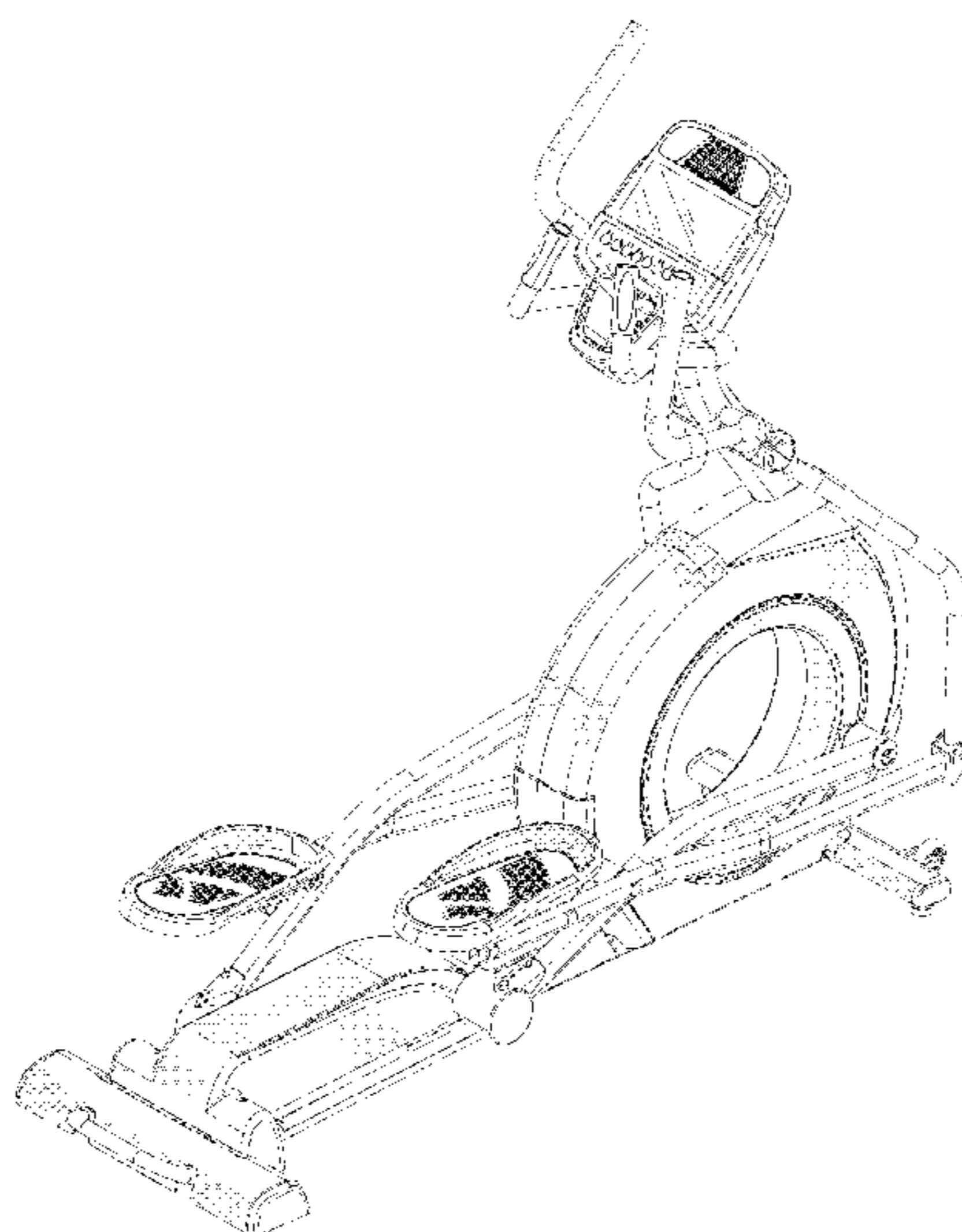
FIG. 6 is a left side elevational view thereof.

FIG. 7 is a right side elevational view thereof.

FIG. 8 is a top plan view thereof; and,

FIG. 9 is a bottom plan view thereof.

1 Claim, 9 Drawing Sheets



(56)

References Cited

U.S. PATENT DOCUMENTS

2006/0079381 A1* 4/2006 Cornejo A63B 22/0007
482/52
2006/0166791 A1* 7/2006 Liao A63B 22/001
482/52
2006/0172865 A1* 8/2006 Dey A63B 22/0007
482/52
2007/0254778 A1* 11/2007 Ashby A63B 22/001
482/5
2008/0161163 A1* 7/2008 Stewart A63B 21/0051
482/51
2008/0280731 A1* 11/2008 Dalebout A63B 21/02
482/52
2009/0124463 A1* 5/2009 Chen A63B 22/001
482/52
2009/0312156 A1* 12/2009 Chen A63B 22/001
482/52
2010/0190613 A1* 7/2010 Murray A63B 21/15
482/52
2012/0088635 A1* 4/2012 Lee A63B 21/225
482/52
2013/0085042 A1* 4/2013 Huang A63B 22/04
482/52
2013/0237379 A1* 9/2013 Huang A63B 22/001
482/52
2014/0194253 A1* 7/2014 Huang A63B 22/001
482/52
2015/0238809 A1* 8/2015 Huang A63B 21/225
482/57

* cited by examiner

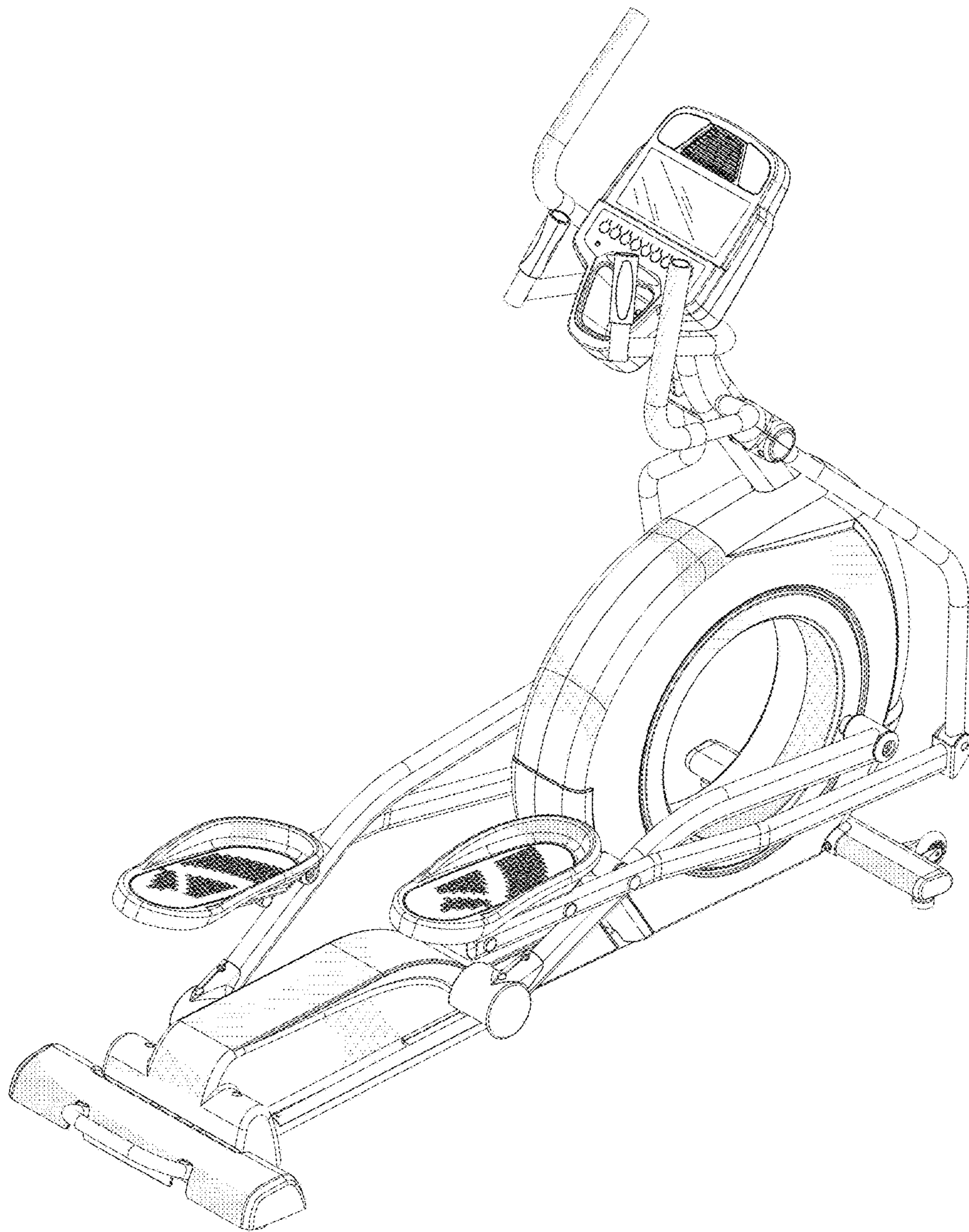


FIG. 1

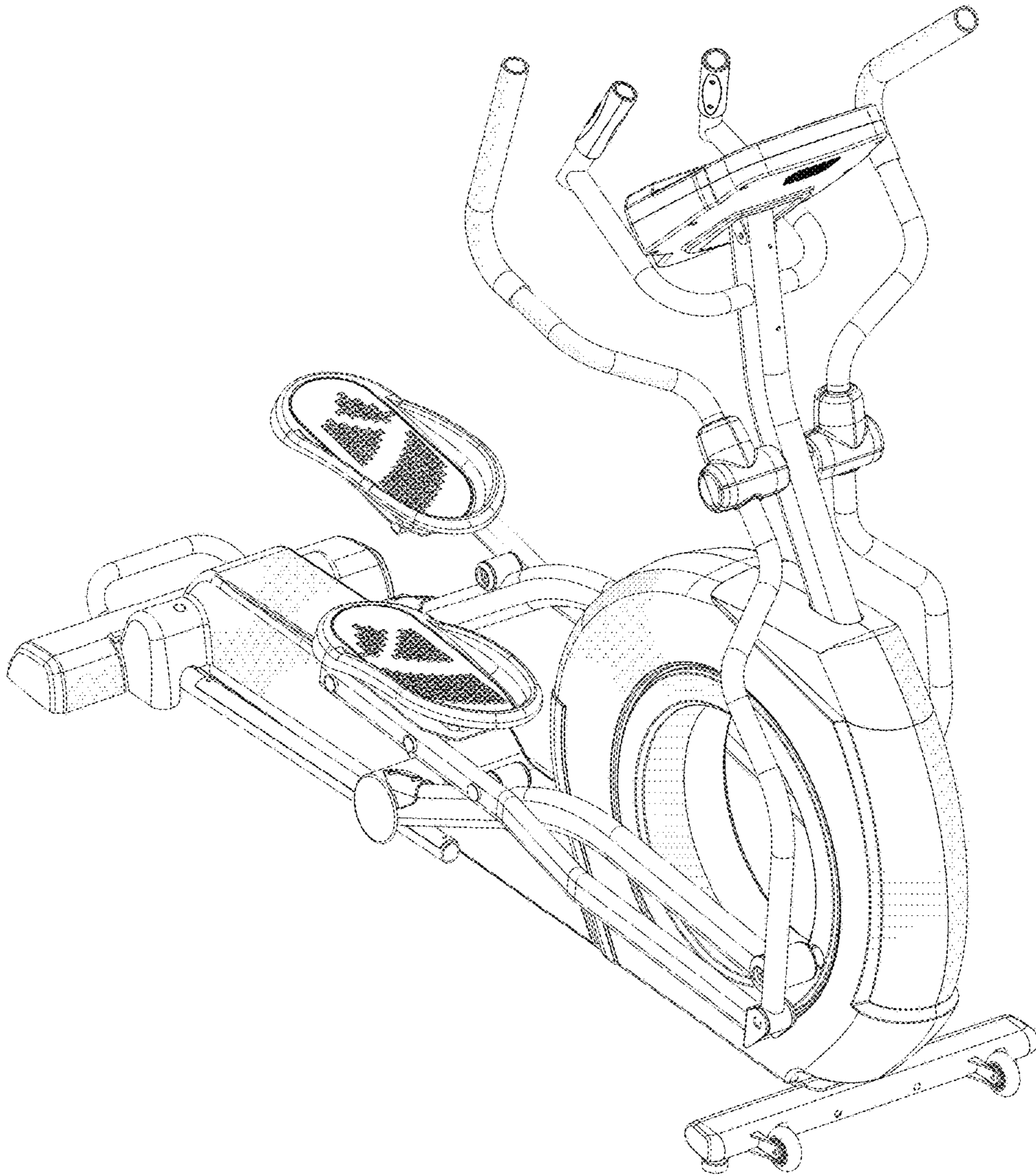


FIG.2

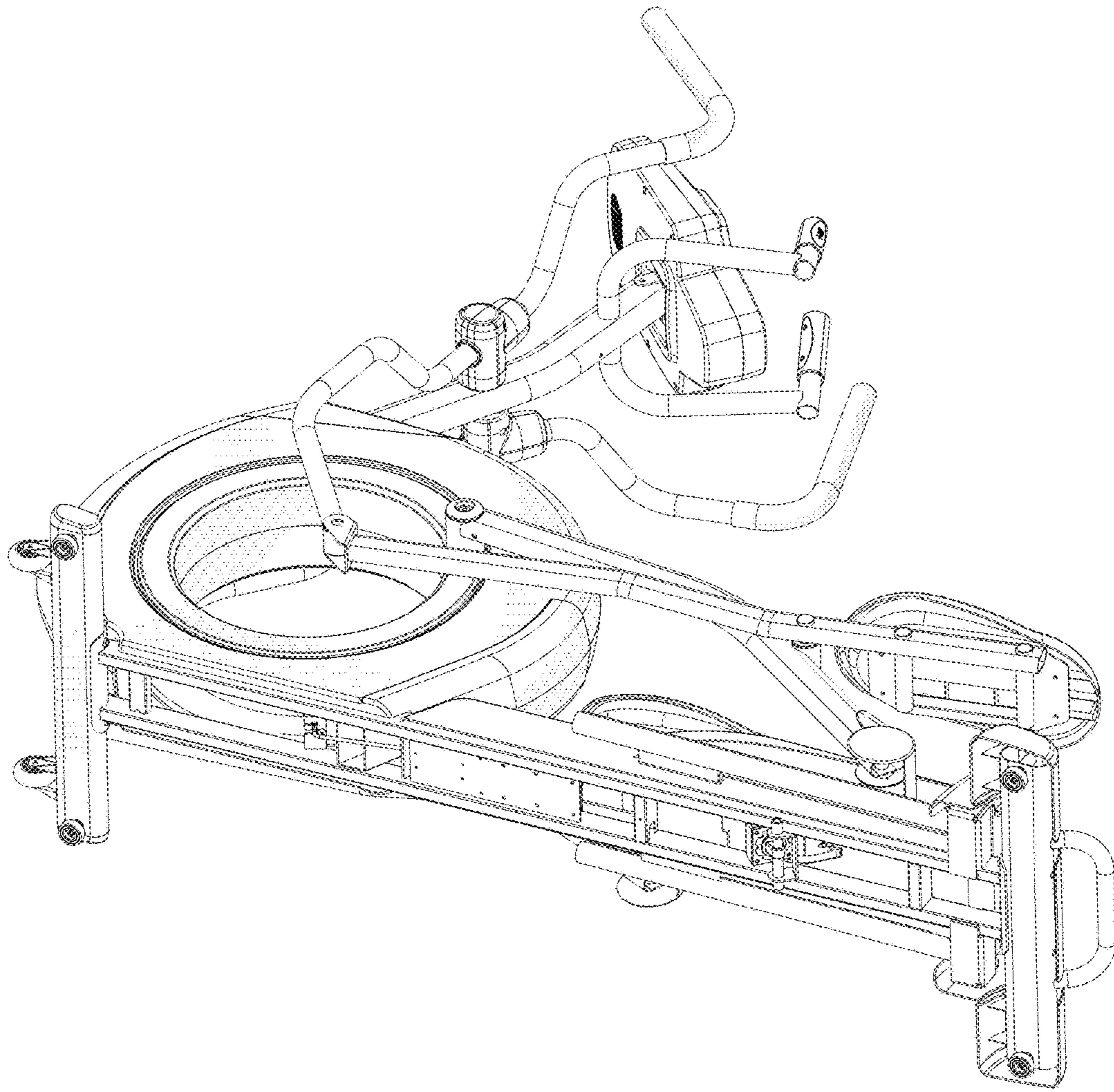


FIG.3

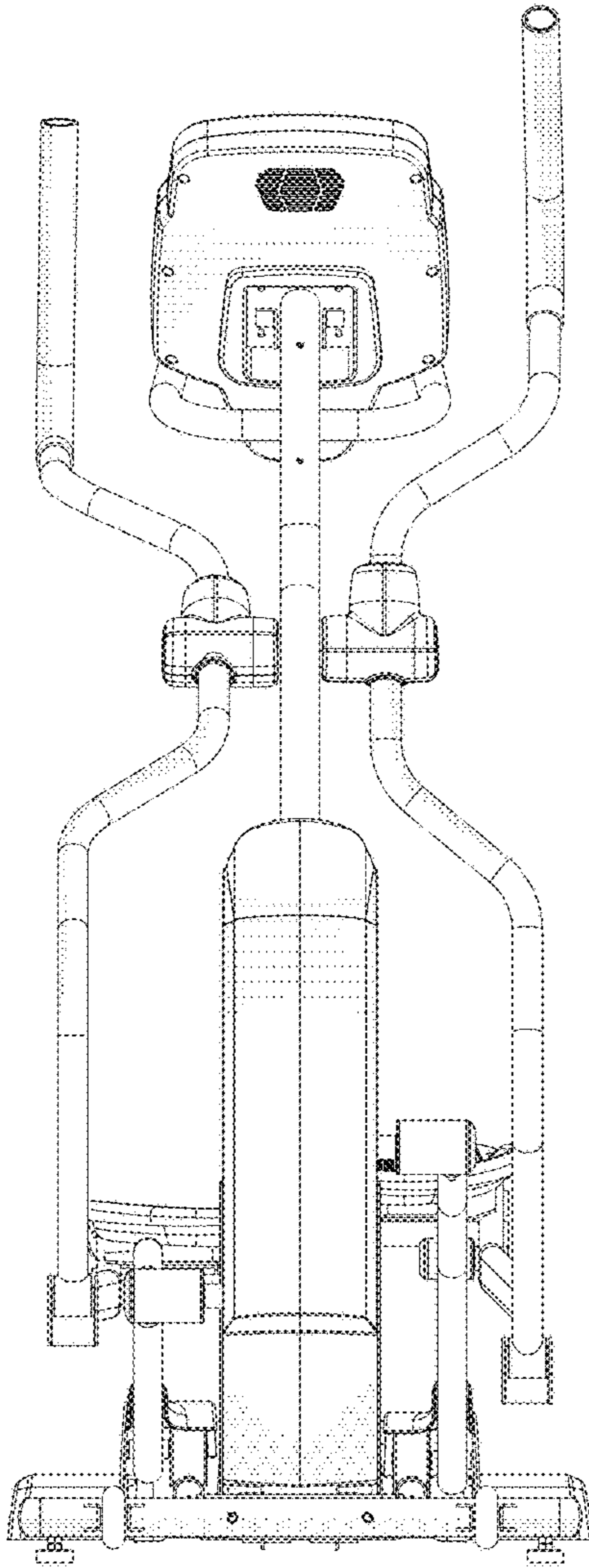


FIG.4

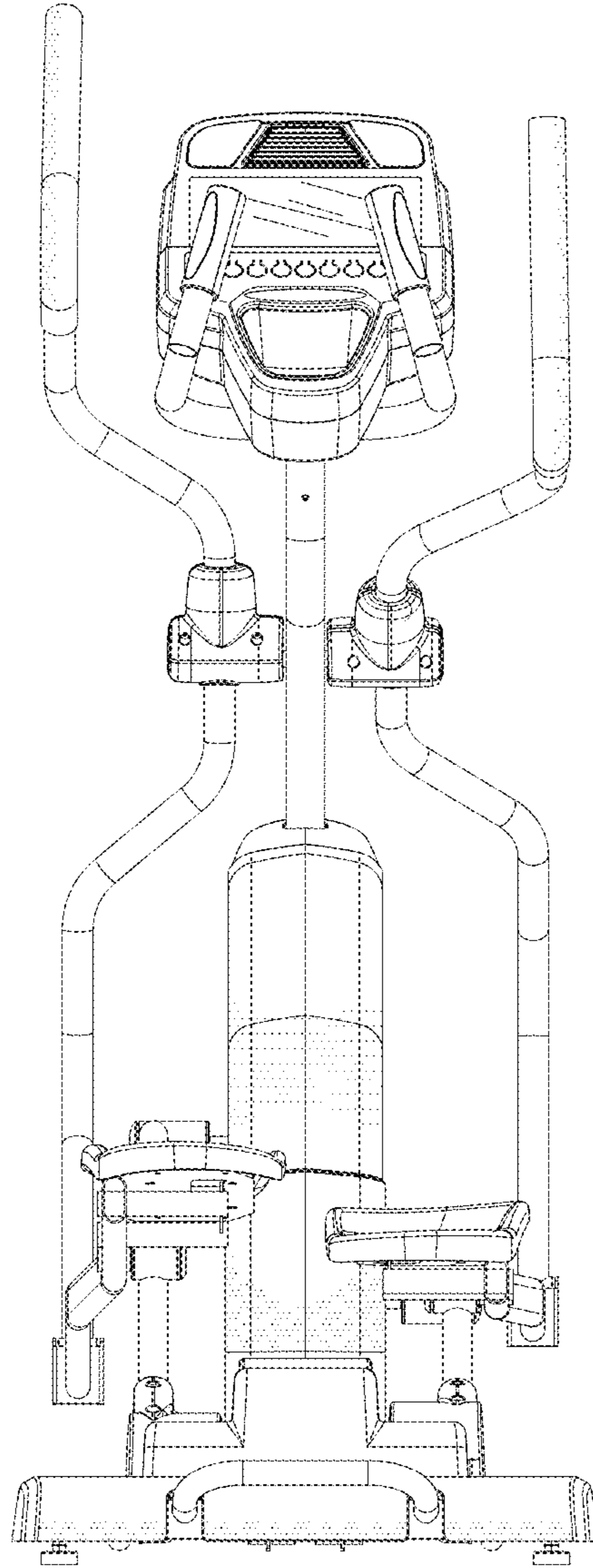


FIG.5

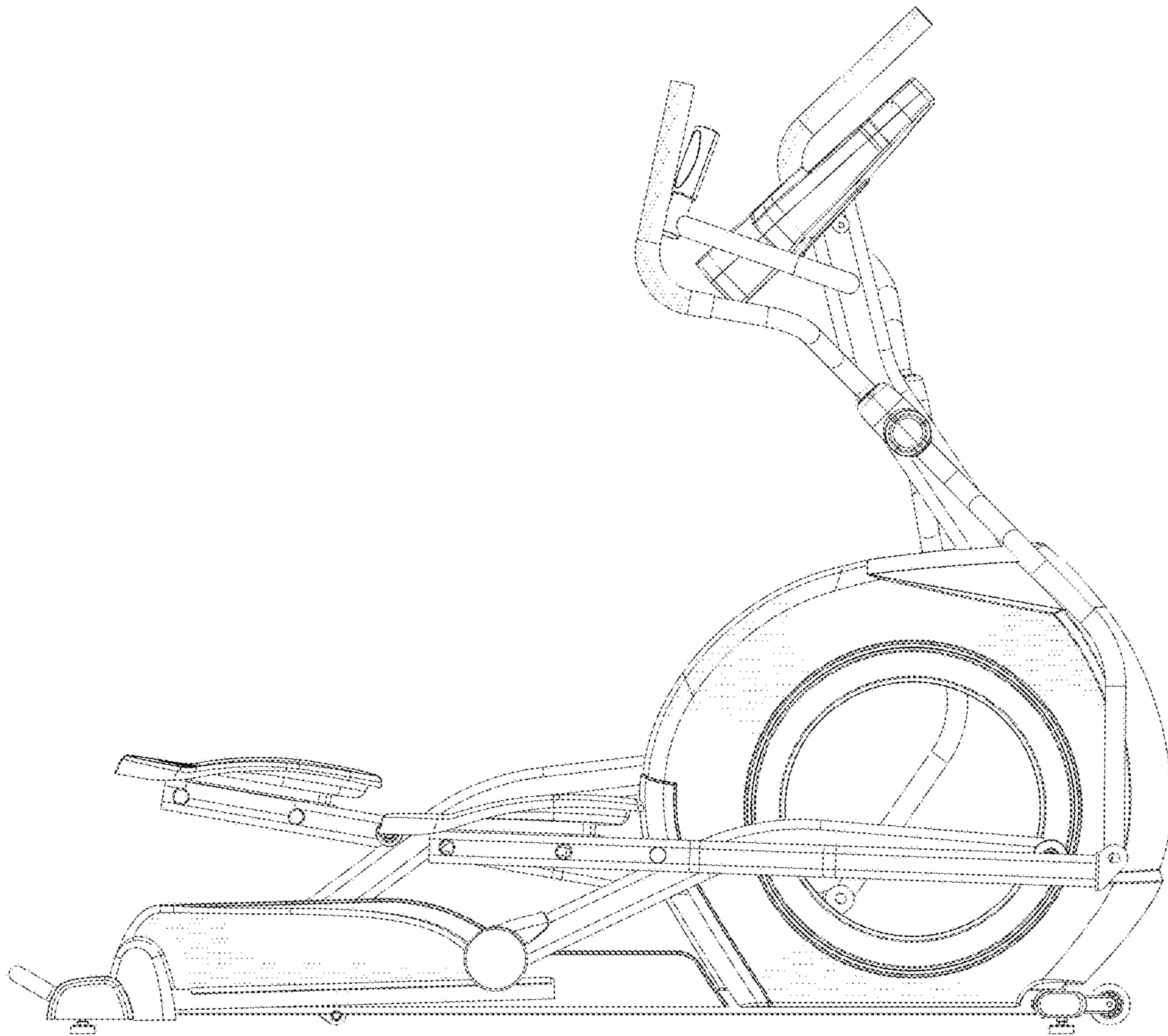


FIG.6

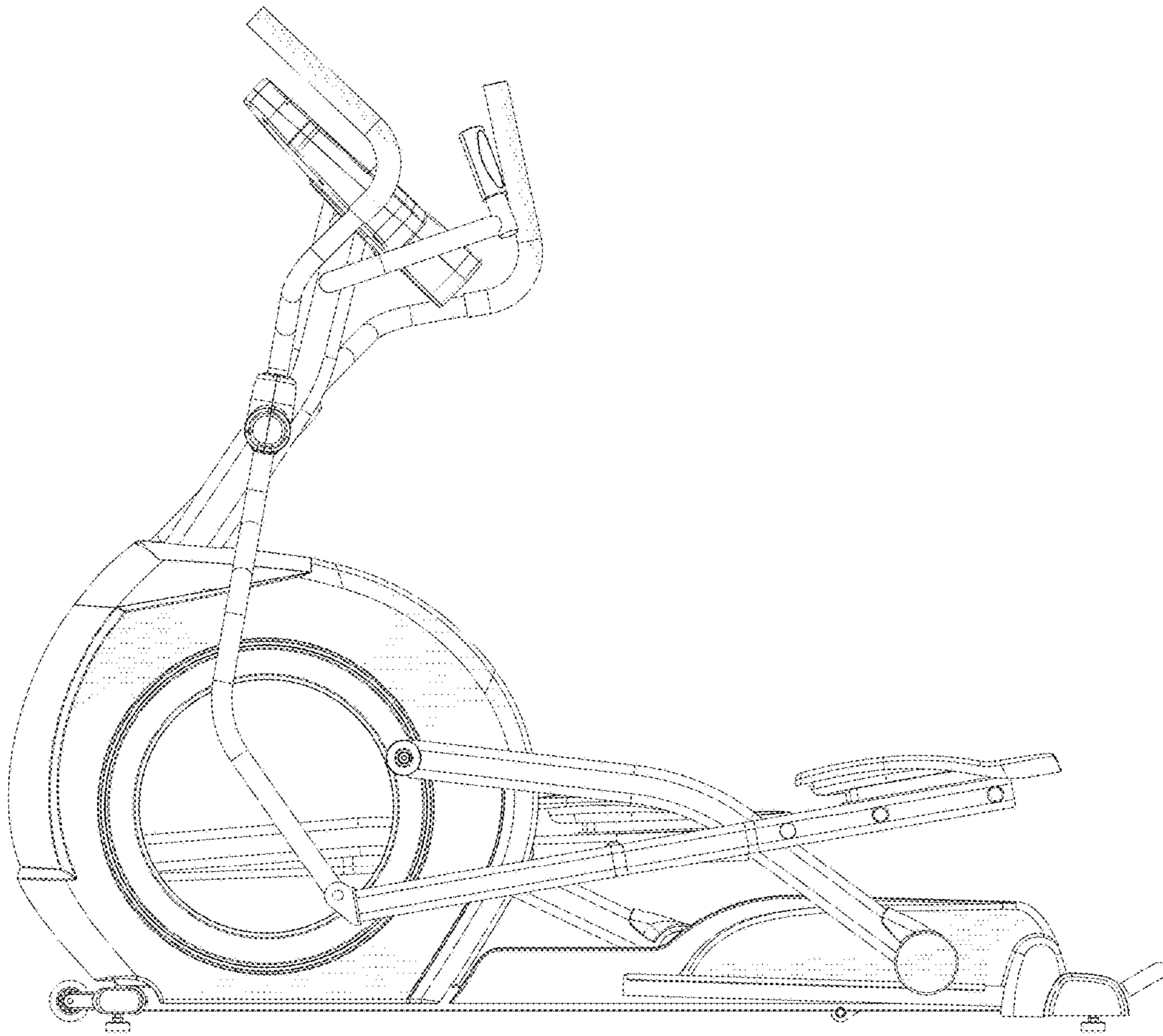


FIG. 7

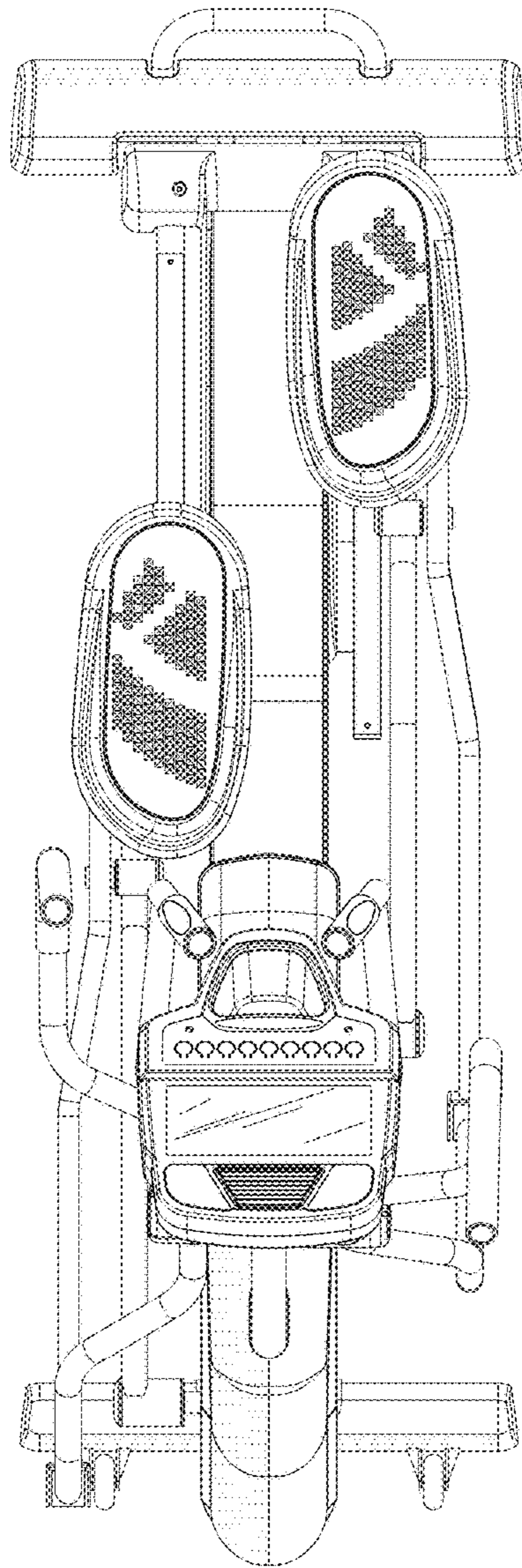


FIG.8

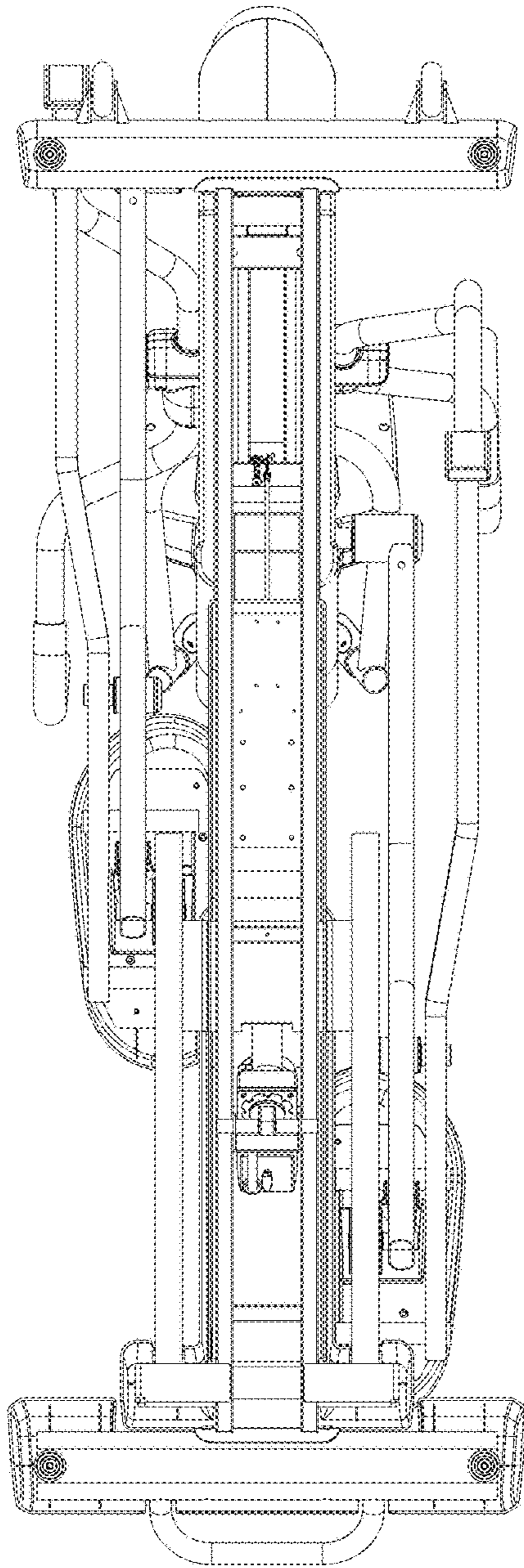


FIG.9