



US00D785718S

(12) **United States Design Patent**
Kuramoto et al.

(10) **Patent No.:** **US D785,718 S**

(45) **Date of Patent:** **** May 2, 2017**

(54) **WATCH-SHAPED TOY**
(71) Applicant: **BANDAI CO., LTD.**, Tokyo (JP)
(72) Inventors: **Yukiko Kuramoto**, Tokyo (JP);
Nakayuki Sato, Tokyo (JP)
(73) Assignee: **BANDAI CO., LTD.**, Tokyo (JP)
(**) Term: **15 Years**

(21) Appl. No.: **29/541,372**
(22) Filed: **Oct. 2, 2015**

(30) **Foreign Application Priority Data**
Apr. 3, 2015 (JP) 2015-007584
(51) **LOC (10) Cl.** **21-01**
(52) **U.S. Cl.**
USPC **D21/531**; D10/32
(58) **Field of Classification Search**
USPC D21/398, 531, 372, 347, 385;
D10/30-32, 38-39; D9/420
CPC A63H 13/00; A63H 33/30; A44C 5/22;
G04B 19/23; G04B 37/14
See application file for complete search history.

(56) **References Cited**
U.S. PATENT DOCUMENTS
D207,560 S * 5/1967 Bang D9/420
D239,324 S * 3/1976 Vong D10/32
D241,630 S * 9/1976 Burke D10/32
D247,133 S * 1/1978 Tjep D10/38
4,396,296 A * 8/1983 Stodden G04B 37/1486
368/101
D279,276 S * 6/1985 Matsuo D11/4
D284,357 S * 6/1986 Nakane D10/32
D390,778 S * 2/1998 Lee D3/271.9
D432,025 S * 10/2000 Mc Linden D10/30
D474,249 S * 5/2003 Tait D21/372
D476,905 S * 7/2003 El Kadiri D10/30
D504,798 S * 5/2005 Nipke D7/337

D565,426 S * 4/2008 Rabassa D10/30
D594,349 S * 6/2009 Arpa D10/32
D722,653 S * 2/2015 Nishizawa D21/398
D742,763 S * 11/2015 Hashimoto D10/126
D758,504 S * 6/2016 Shimoda D21/531
2004/0094662 A1* 5/2004 Sanders, Jr. B64C 27/20
244/12.5

(Continued)

FOREIGN PATENT DOCUMENTS

CN 302612931 * 10/2013
JP D1124998 * 10/2001

OTHER PUBLICATIONS

DX Youkai Watch by Bandai | HobbyLink Japan, circa Jan. 2014,
<https://hlj.com/product/BAN983724>, [site visited Aug. 9, 2016
10:59:14 PM].*

(Continued)

Primary Examiner — John Windmuller
Assistant Examiner — John R Yeh
(74) *Attorney, Agent, or Firm* — Rabin & Berdo, P.C.

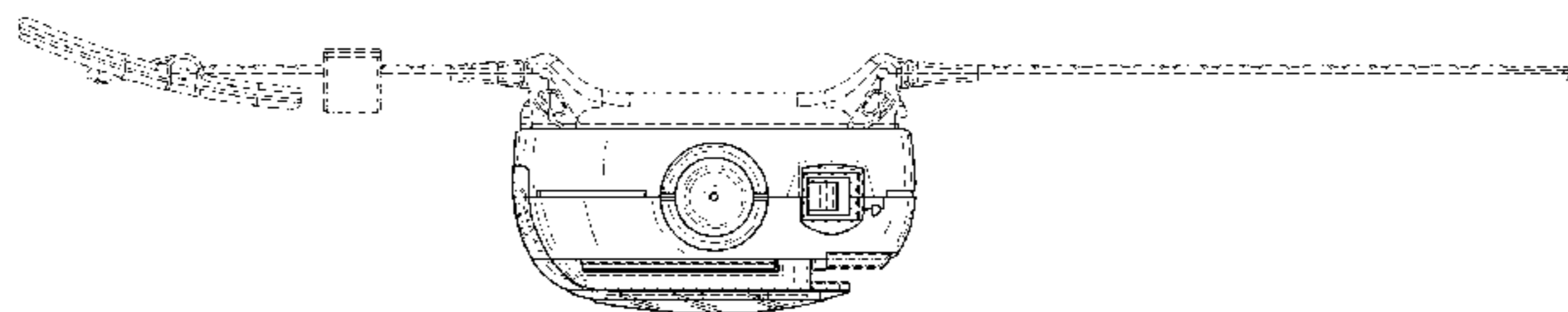
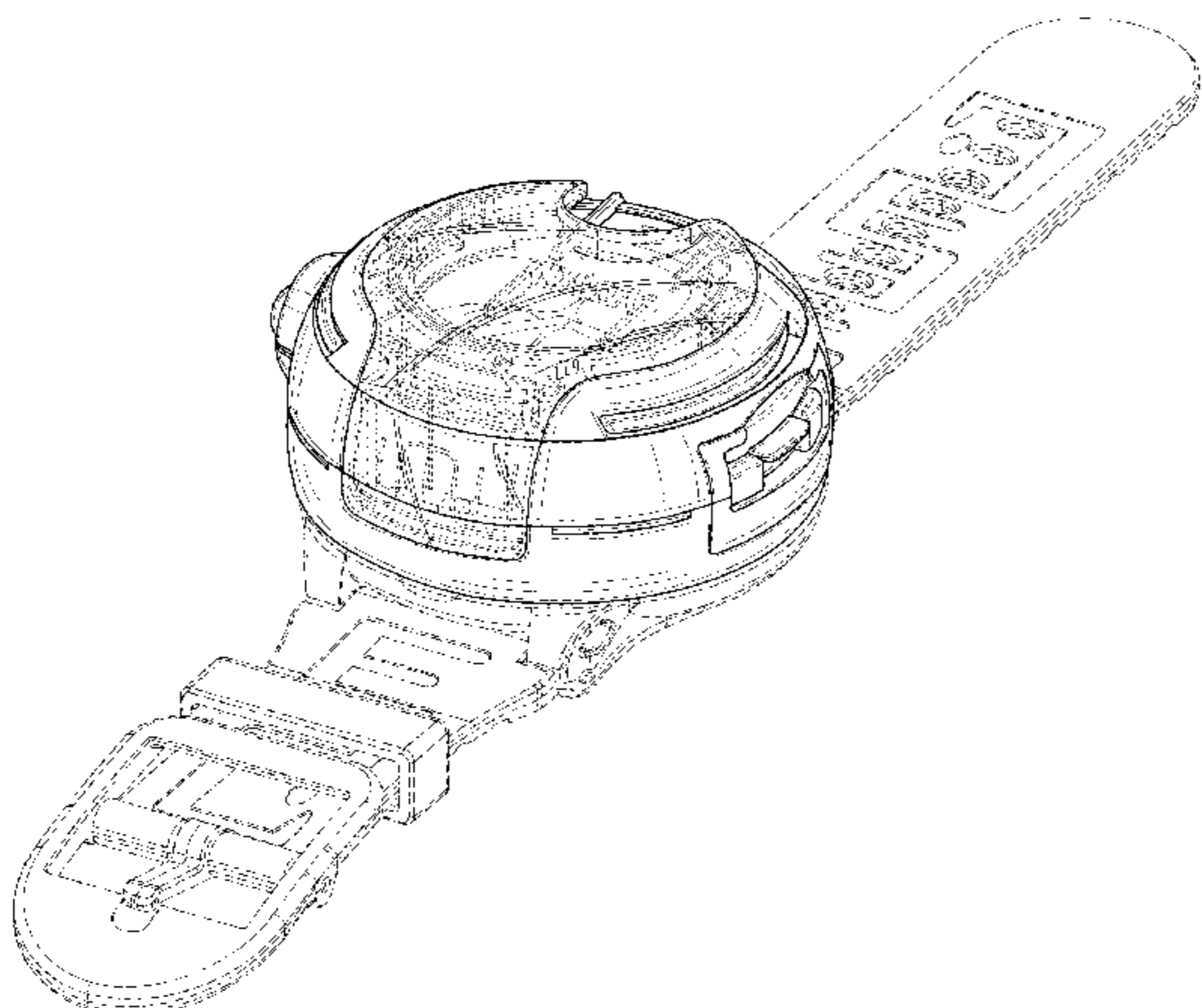
(57) **CLAIM**

The ornamental design for a watch-shaped toy, as shown and described.

DESCRIPTION

FIG. 1 is a perspective view of a watch-shaped toy;
FIG. 2 is another perspective view thereof;
FIG. 3 is a top view thereof;
FIG. 4 is a bottom view thereof;
FIG. 5 is a left side view thereof;
FIG. 6 is a right side view thereof;
FIG. 7 is a front view thereof; and,
FIG. 8 is a rear view thereof.
The broken lines shown in the drawings form no part of the claimed design.

1 Claim, 6 Drawing Sheets



(56)

References Cited

U.S. PATENT DOCUMENTS

2005/0044808 A1* 3/2005 Prenn E04D 13/03
52/200
2008/0049560 A1* 2/2008 Clarkson G04B 37/1486
368/281
2011/0309116 A1* 12/2011 Shindo A44B 11/006
224/164

OTHER PUBLICATIONS

YoKai Watch Toy Review, video date Jan. 24, 2015, <https://www.youtube.com/watch?v=8i4B6NhKl-M>, site visited Aug. 9, 2016.*
Amazon.com: Y&Y Star® Ben 10 Kids Projector Watch, reviews 2015, https://www.amazon.com/Star-Projector-Omnitrix-Educational-children/dp/B00VDVZNU2/ref=sr_1_49?ie=UTF8&qid=1470797472&sr=8-49-spons&keywords=bandai+yokai+watch&psc=1, [site visited Aug. 9, 2016 10:52:45 PM].*
Amazon.com: Bandai Dx Yokai—WatchU Prototype (Japan Import), review date Oct. 19, 2015, https://www.amazon.com/Bandai-Dx-Yokai-WatchU-Prototype-Japan/dp/B010PZE29O/ref=cm_cr_arp_d_product_top?ie=UTF8, [site visited Aug. 9, 2016].*

* cited by examiner

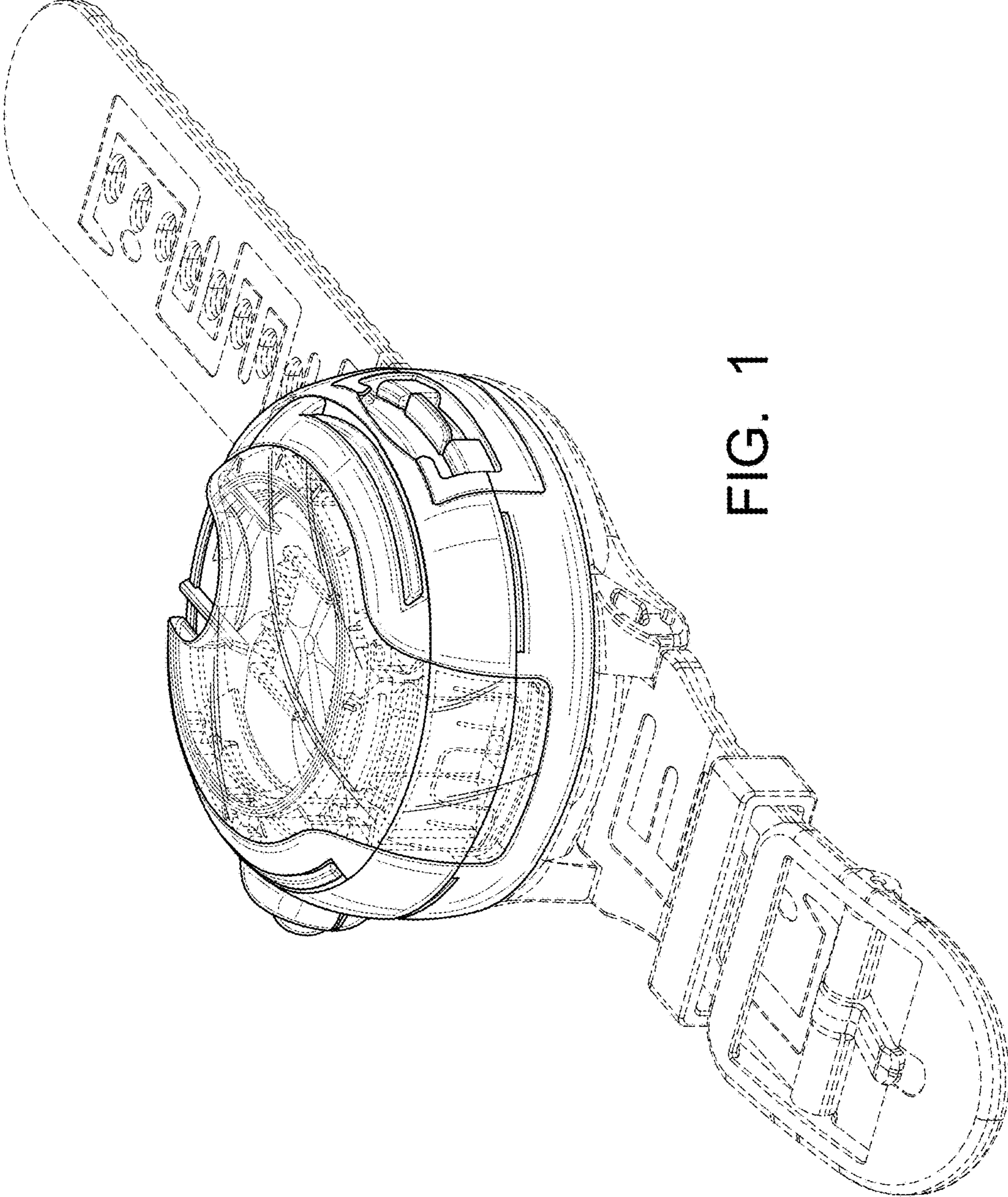


FIG. 1

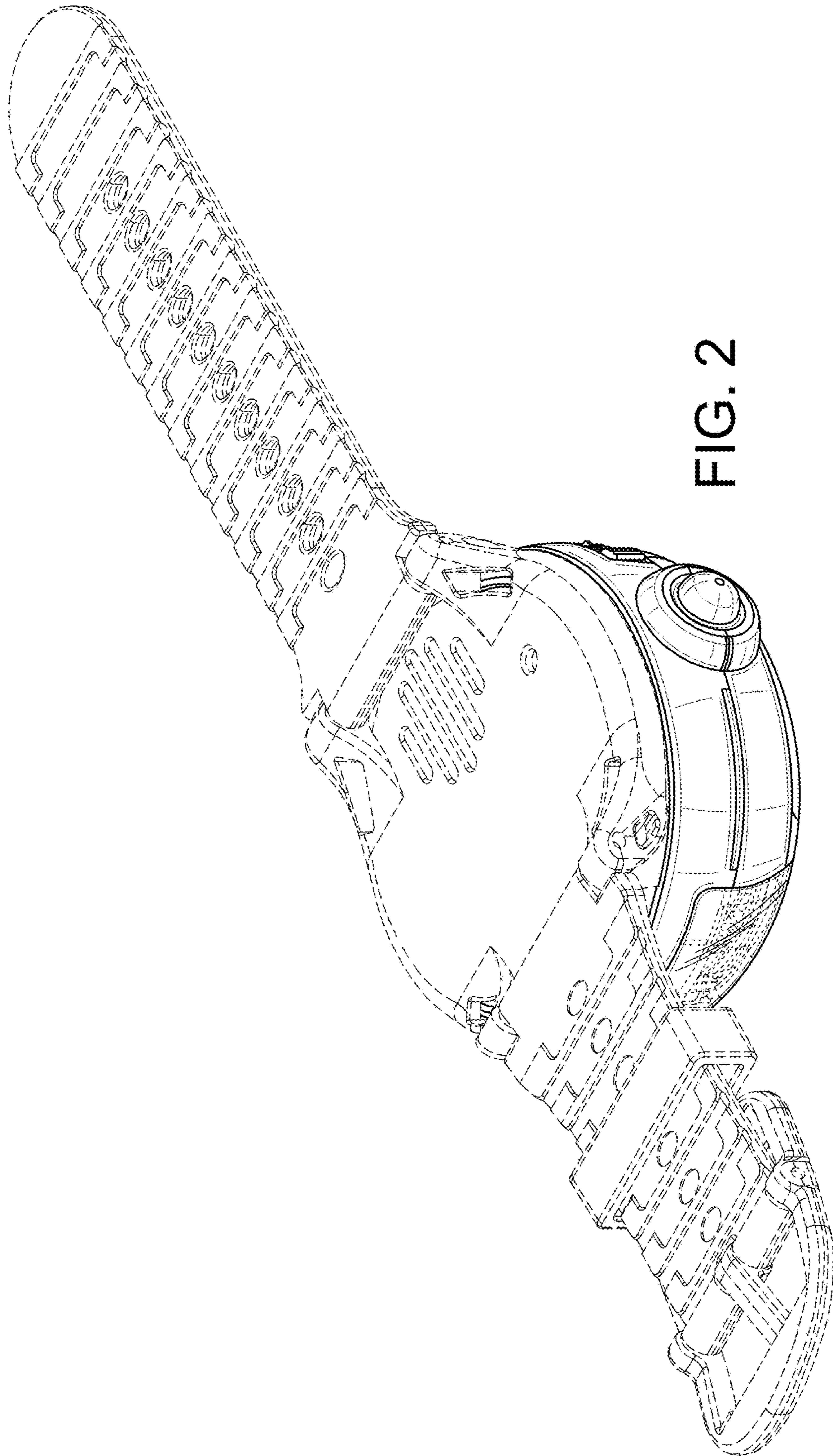


FIG. 2

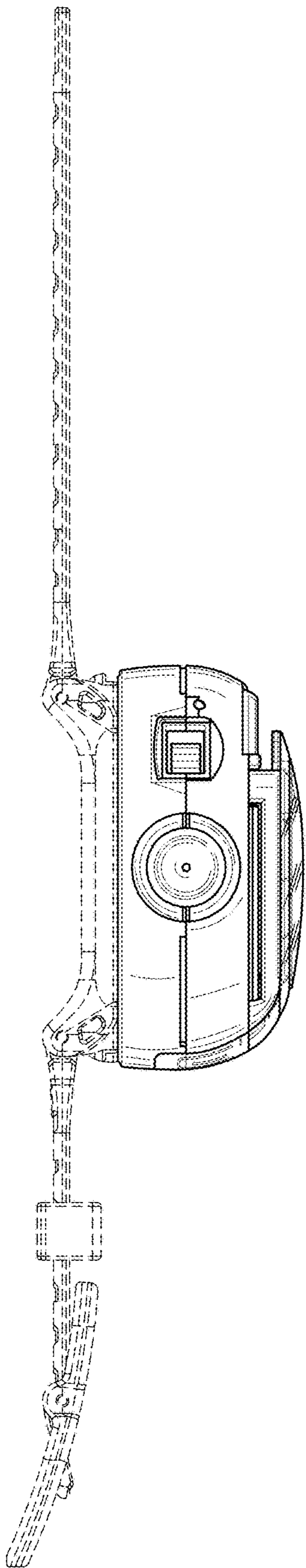


FIG. 3

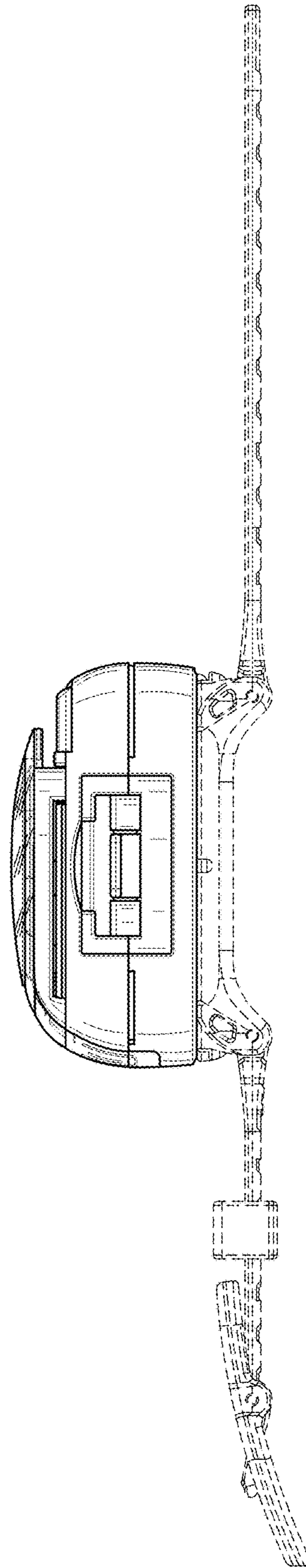


FIG. 4

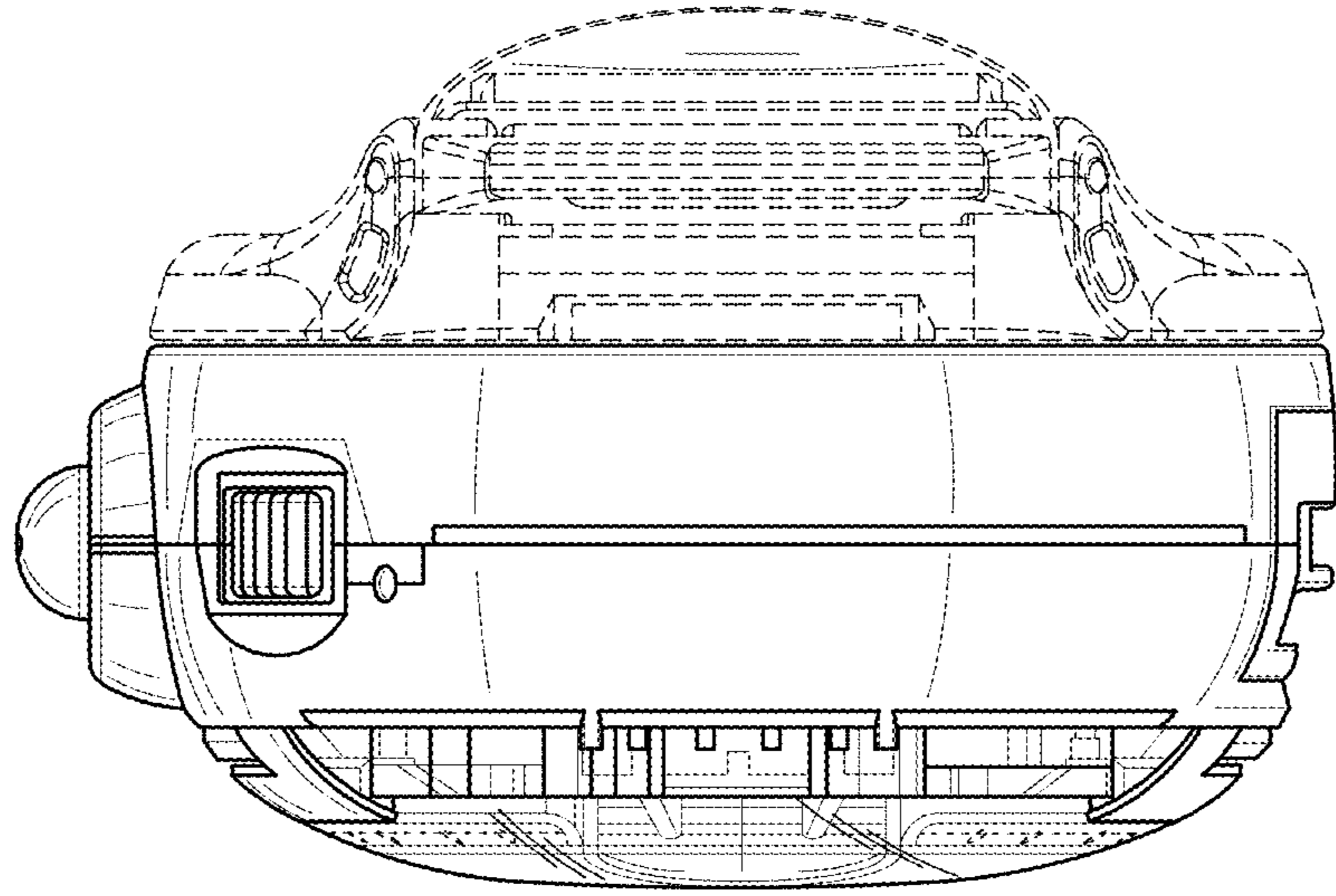


FIG. 6

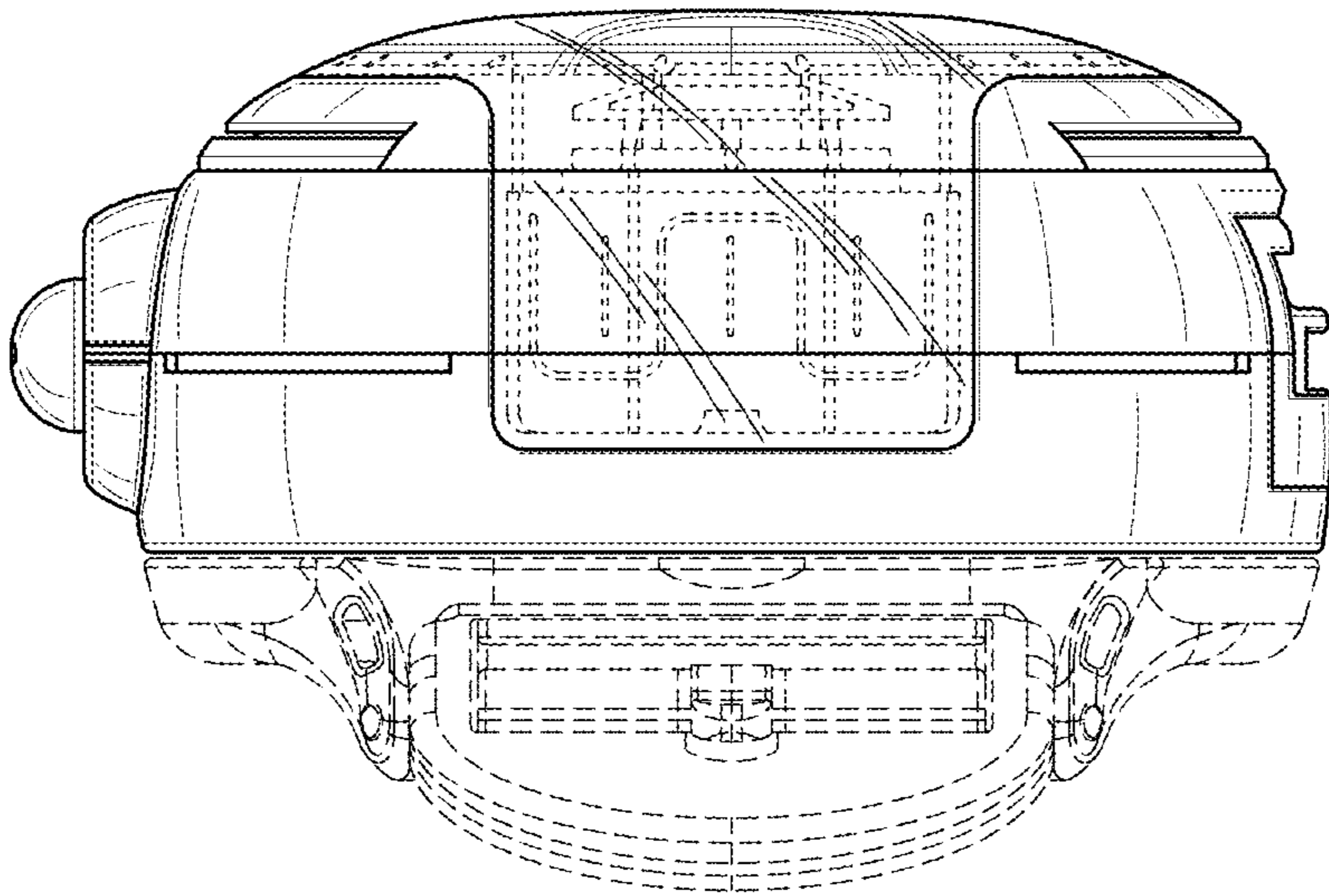


FIG. 5

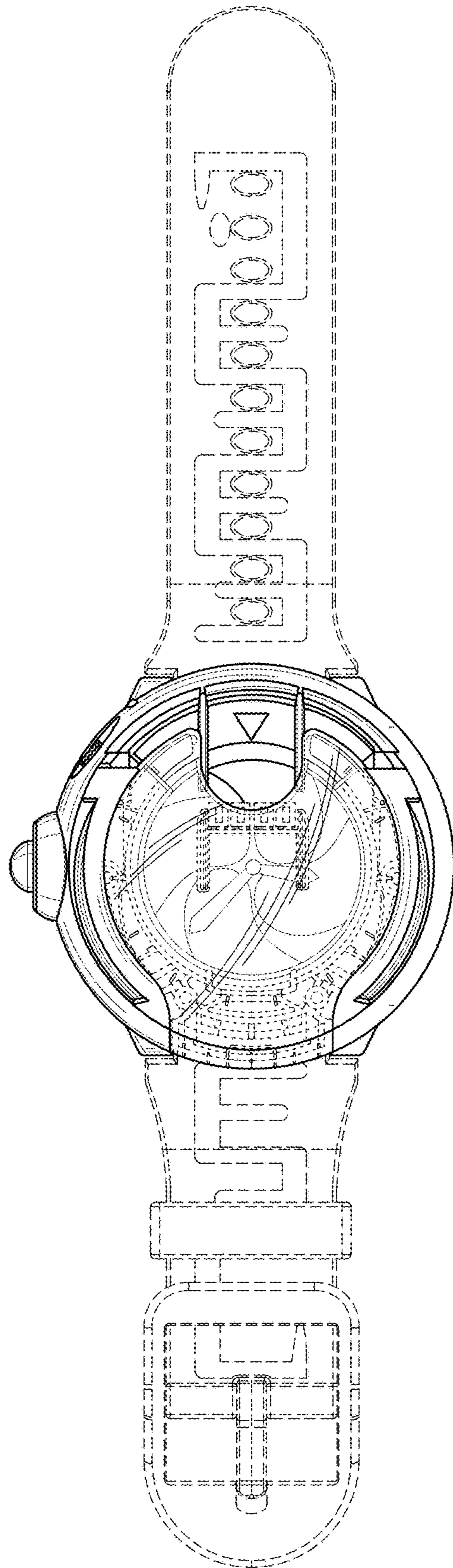


FIG. 7

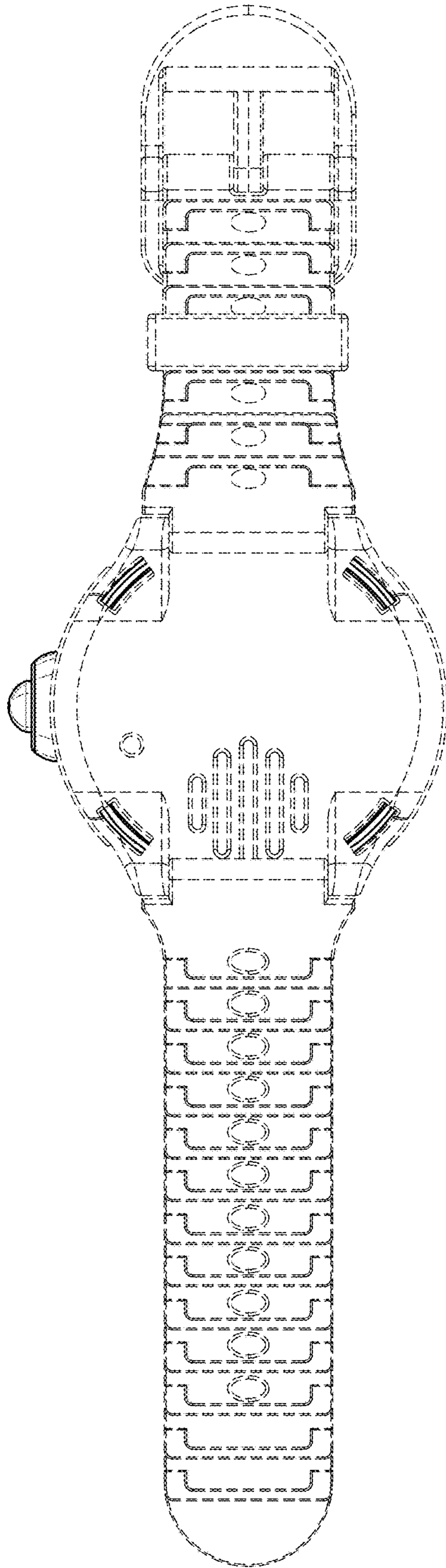


FIG. 8