



US00D785717S

(12) **United States Design Patent** (10) **Patent No.:** **US D785,717 S**  
**Xiao** (45) **Date of Patent:** **\*\* May 2, 2017**

(54) **TOY AIRCRAFT**

(71) Applicant: **Guangdong Syma Model Aircraft Industrial Co., Ltd**, Shantou, Guangdong (CN)

(72) Inventor: **Jiongliang Xiao**, Guangdong (CN)

(73) Assignee: **GUANGDONG SYMA MODEL AIRCRAFT INDUSTRIAL CO., LTD**, Shantou, Guangdong (CN)

(\*\*) Term: **15 Years**

(21) Appl. No.: **29/559,792**

(22) Filed: **Mar. 31, 2016**

(51) **LOC (10) Cl.** ..... **21-01**

(52) **U.S. Cl.**  
USPC ..... **D21/441**

(58) **Field of Classification Search**  
USPC ..... D12/16.1, 319-345; D21/436, 441-444, D21/446-453  
CPC ..... B64C 1/062; B64C 39/024; B64C 27/08; B64C 29/00; B64C 39/00; B64C 23/00  
See application file for complete search history.

(56) **References Cited**

**U.S. PATENT DOCUMENTS**

D691,514 S *	10/2013	Wang	.....	D12/16.1
D710,452 S *	8/2014	Barajas	.....	D12/16.1
D710,453 S *	8/2014	Barajas	.....	D12/16.1
D710,454 S *	8/2014	Barajas	.....	D12/16.1
D741,751 S *	10/2015	Klaptocz	.....	D12/16.1
D741,779 S *	10/2015	Hsiao	.....	D12/16.1
D745,435 S *	12/2015	Park	.....	D12/16.1
9,233,754 B1 *	1/2016	Wang	.....	B64C 39/024
D756,842 S *	5/2016	Ashjaee	.....	D12/16.1
D759,764 S *	6/2016	Lai	.....	D12/16.1
D760,624 S *	7/2016	Balaresque	.....	D12/16.1
D763,134 S *	8/2016	Wang	.....	D12/16.1

D767,043 S *	9/2016	Morrison	.....	D12/16.1
D768,539 S *	10/2016	Lee	.....	D12/16.1
D768,540 S *	10/2016	Ji	.....	D12/16.1
D768,789 S *	10/2016	Fargeau	.....	D12/16.1
D770,940 S *	11/2016	Taylor	.....	D12/16.1
2012/0056041 A1 *	3/2012	Rhee	.....	B64C 25/32 244/4 R
2014/0339355 A1 *	11/2014	Olm	.....	B64C 27/08 244/17.23
2015/0051755 A1 *	2/2015	Erhart	.....	A63H 27/12 701/2
2015/0129711 A1 *	5/2015	Caubel	.....	B64C 27/08 244/17.23
2015/0321755 A1 *	11/2015	Martin	.....	B64C 27/50 244/17.23
2015/0321758 A1 *	11/2015	Sarna, II	.....	B64C 39/024 244/63
2015/0336670 A1 *	11/2015	Zhang	.....	B64C 1/00 244/119

(Continued)

*Primary Examiner* — Robert M Spear

*Assistant Examiner* — Marissa J Cash

(74) *Attorney, Agent, or Firm* — Carter, DeLuca, Farrell & Schmidt, LLP

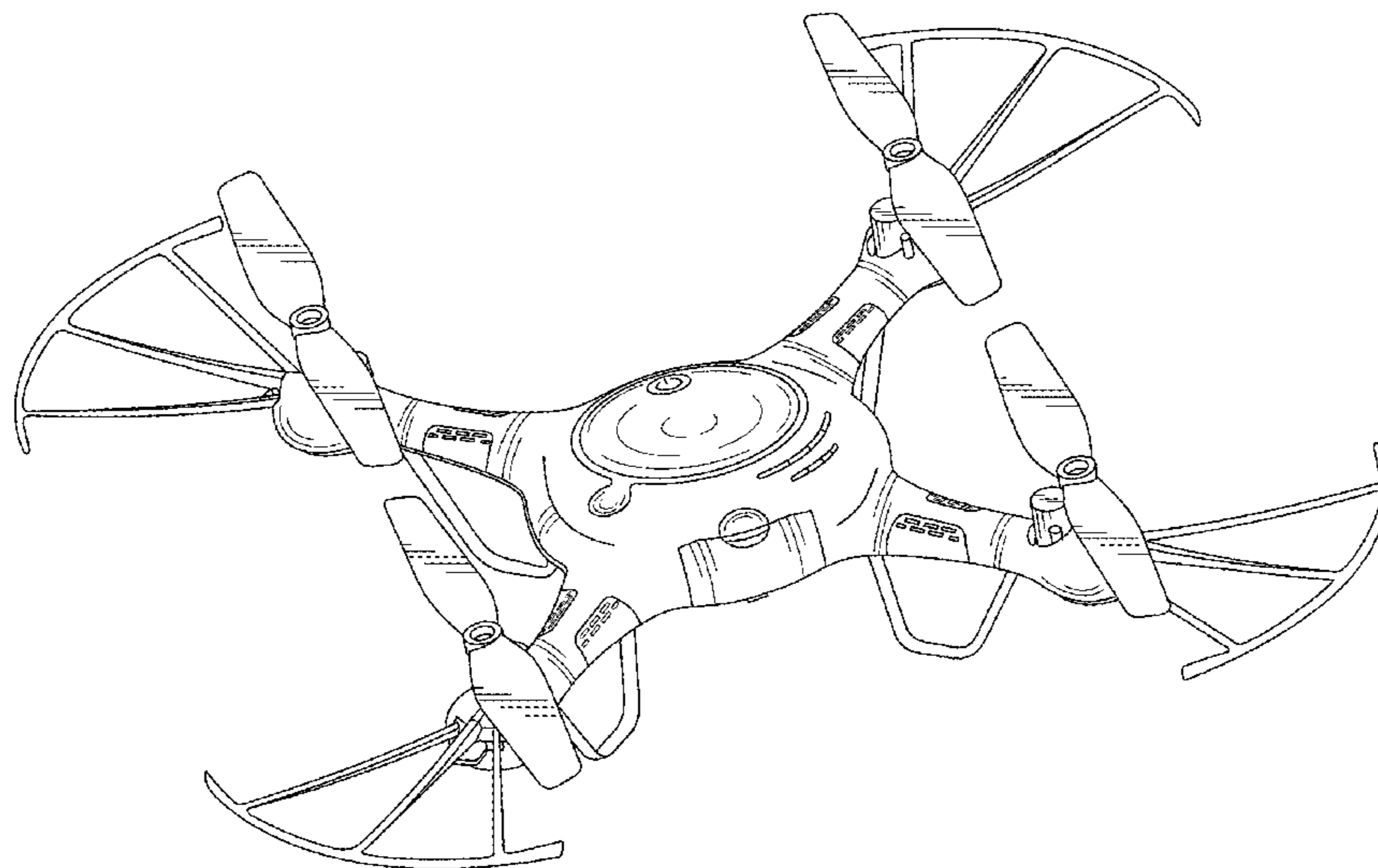
(57) **CLAIM**

The ornamental design for a toy aircraft, as shown and described.

**DESCRIPTION**

FIG. 1 is a front perspective view of a toy aircraft in accordance with the present design;  
FIG. 2 is a top plan view thereof;  
FIG. 3 is a bottom plan view thereof;  
FIG. 4 is a right side elevational thereof;  
FIG. 5 is a left side elevational view thereof;  
FIG. 6 is a front elevational view thereof; and,  
FIG. 7 is a rear elevational view thereof.  
The broken lines shown in the drawings illustrate portions of the toy aircraft that form no part of the claimed design.

**1 Claim, 5 Drawing Sheets**



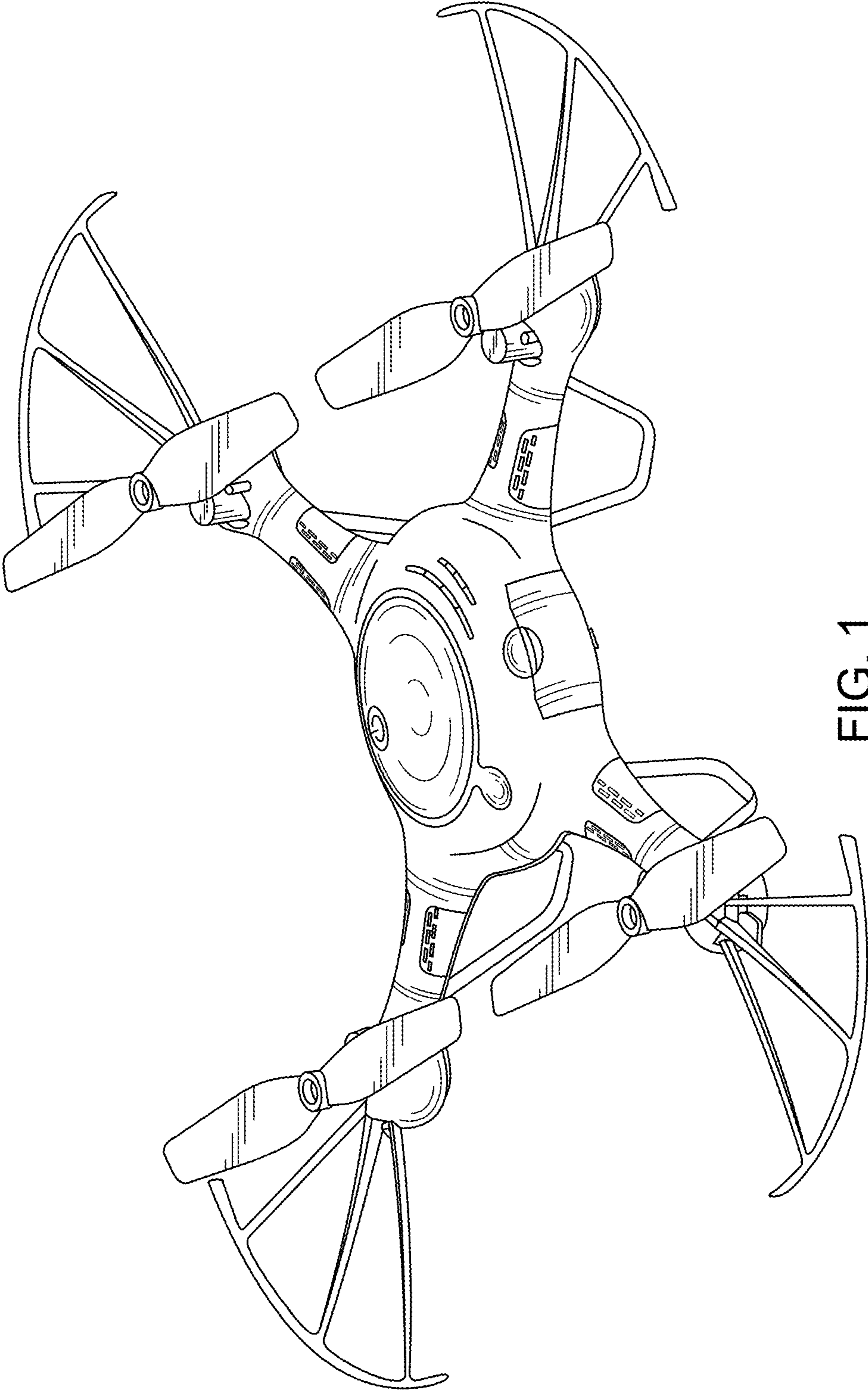
(56)

**References Cited**

U.S. PATENT DOCUMENTS

2016/0001879 A1\* 1/2016 Johannesson ..... B64C 27/50  
416/142  
2016/0031275 A1\* 2/2016 Monroe ..... B60F 3/0007  
244/2

\* cited by examiner



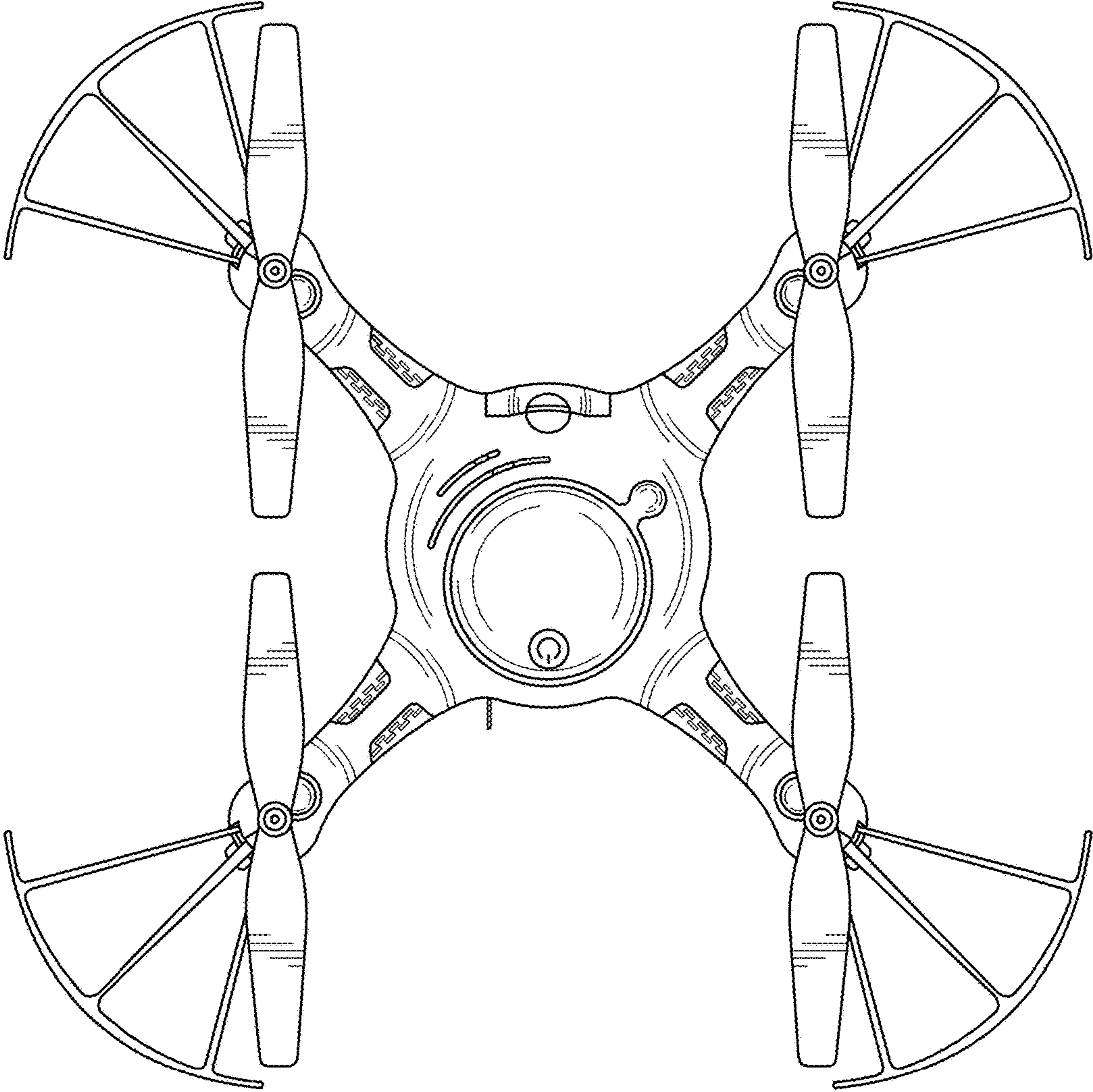


FIG. 2



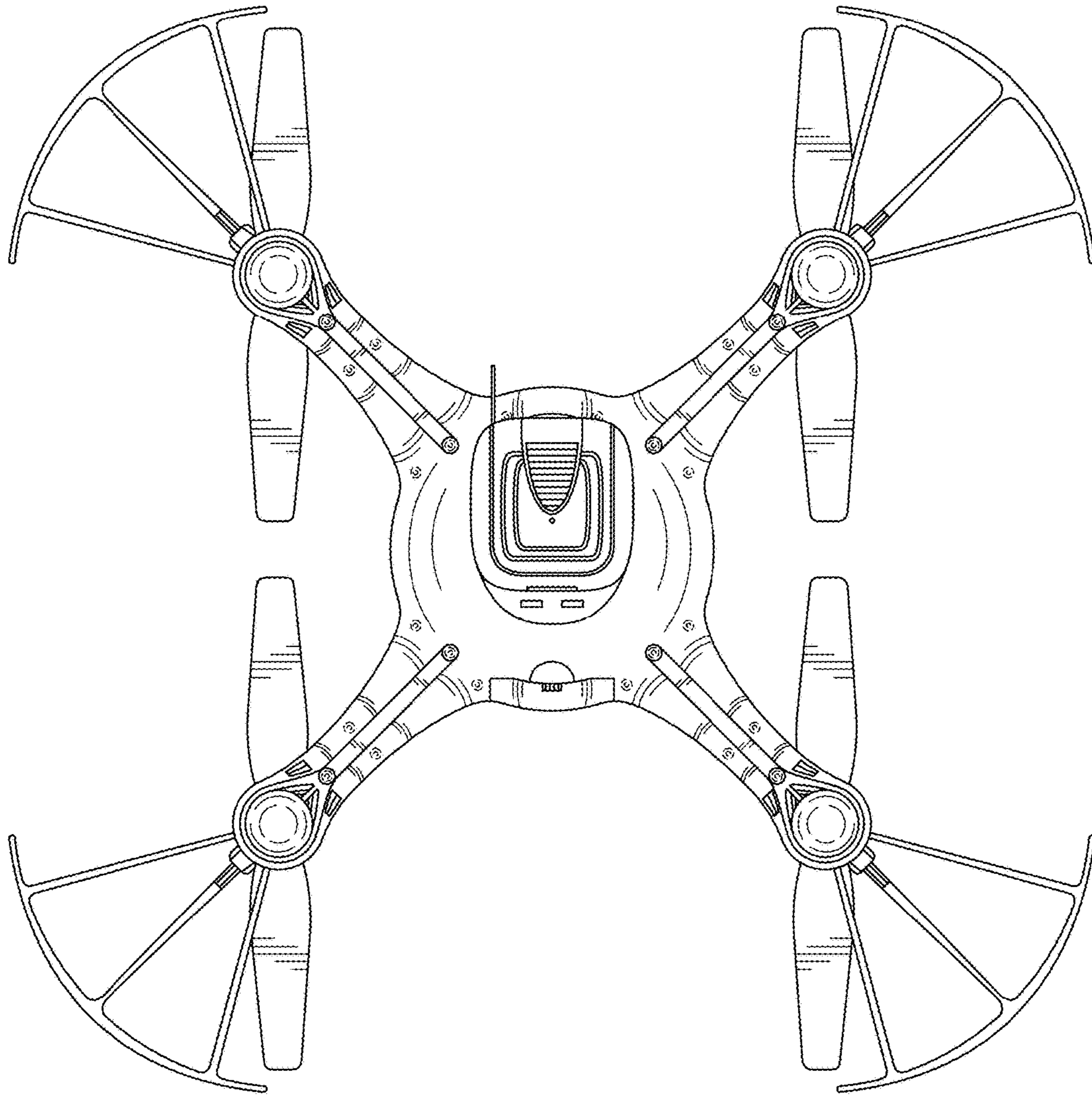


FIG. 3

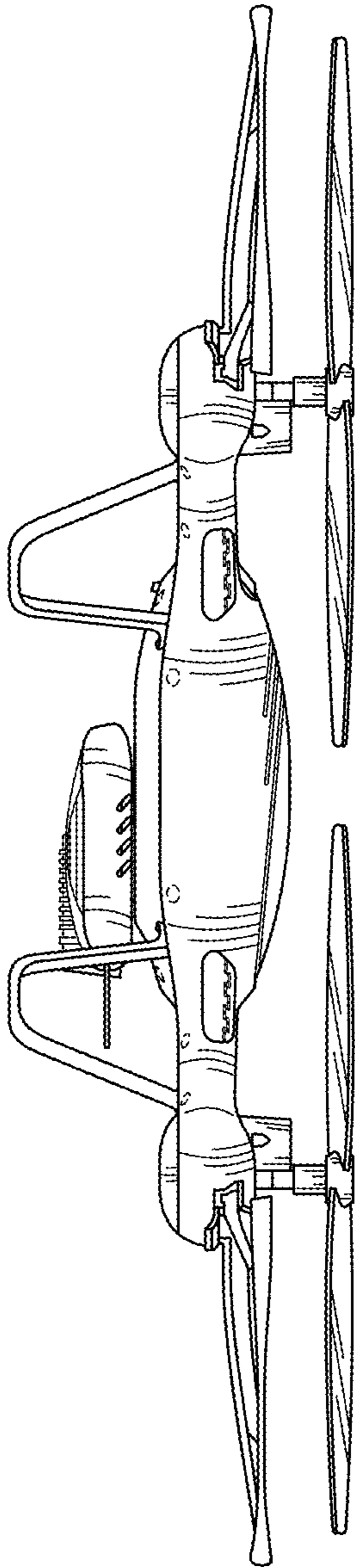


FIG. 4

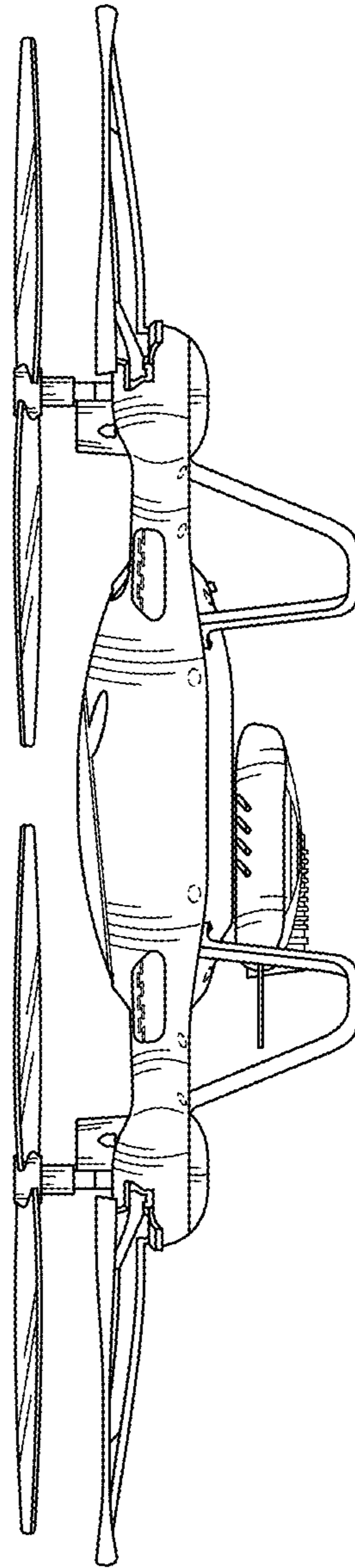


FIG. 5

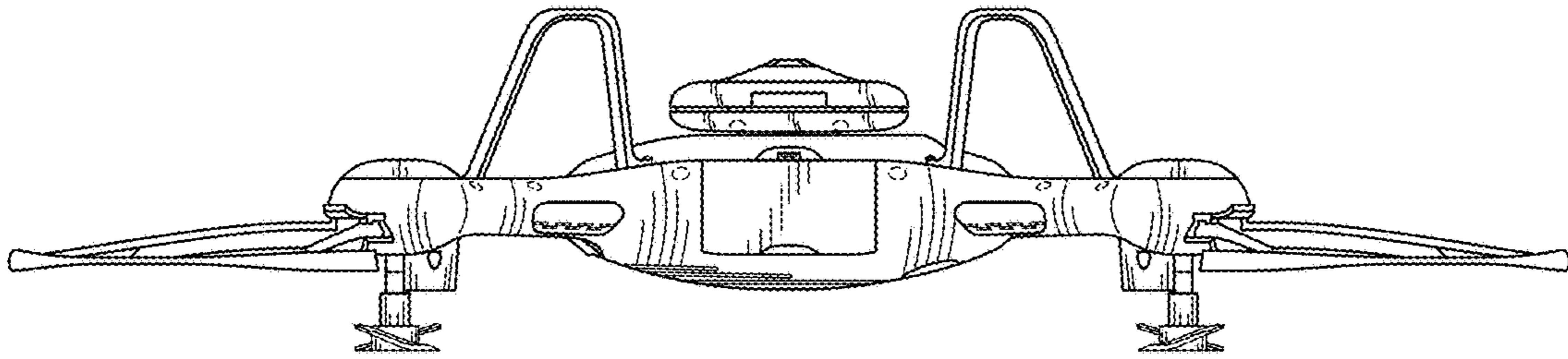


FIG. 6

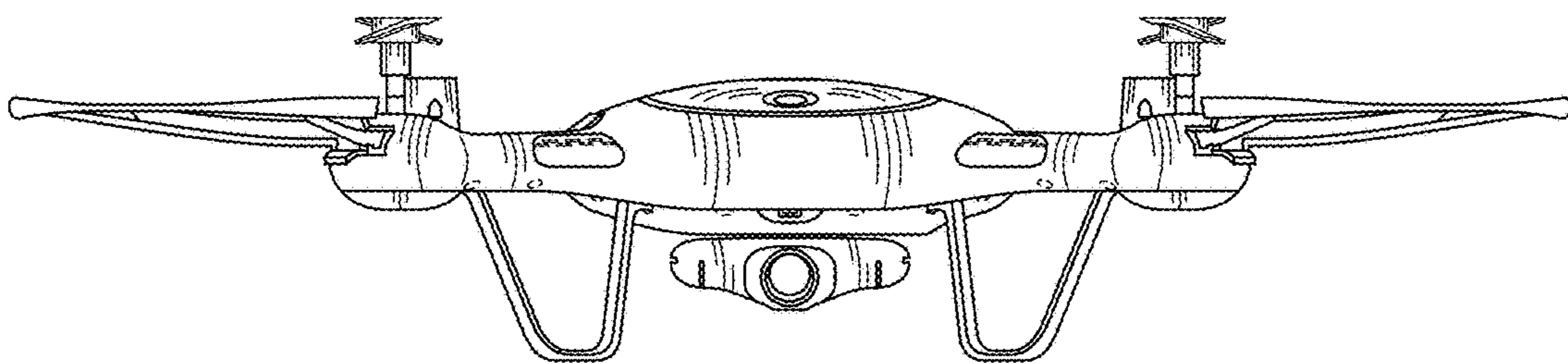


FIG. 7