



US00D785716S

(12) **United States Design Patent**
Herlitz

(10) **Patent No.:** **US D785,716 S**
(45) **Date of Patent:** **** May 2, 2017**

(54) **CONVERTIBLE SCOOTER**

DESCRIPTION

- (71) Applicant: **RADIO FLYER INC.**, Chicago, IL (US)
- (72) Inventor: **Todd Herlitz**, Glenview, IL (US)
- (73) Assignee: **Radio Flyer Inc.**, Chicago, IL (US)
- (**) Term: **15 Years**
- (21) Appl. No.: **29/552,511**
- (22) Filed: **Jan. 22, 2016**
- (51) **LOC (10) Cl.** **21-01**
- (52) **U.S. Cl.**
USPC **D21/423**
- (58) **Field of Classification Search**
USPC D21/419, 421, 423, 426-428, 435,
D21/668-671, 760, 765, 771; D12/1, 8,
D12/108, 111, 112, 113
CPC . B62K 3/002; B62K 9/00; B62K 9/02; B62K
13/00; B62K 13/04; B62K 2202/00
See application file for complete search history.

(56) **References Cited**

U.S. PATENT DOCUMENTS

1,379,305 A	5/1921	Johns
6,089,586 A	7/2000	Rudell et al.
D571,861 S	6/2008	On
D571,863 S	6/2008	On

(Continued)

FOREIGN PATENT DOCUMENTS

CN	201980349	9/2011
CN	102267519	12/2011

(Continued)

Primary Examiner — Cynthia M Chin

(74) *Attorney, Agent, or Firm* — McDermott Will & Emery LLP

(57) **CLAIM**

I claim the ornamental design for a convertible scooter, as shown and described.

FIG. 1 is a top perspective view of a first configuration of a convertible scooter according to the new design.

FIG. 2 is a bottom perspective view of the convertible scooter shown in FIG. 1.

FIG. 3 is a right side view of the convertible scooter shown in FIG. 1.

FIG. 4 is a left side view of the convertible scooter shown in FIG. 1.

FIG. 5 is a front view of the convertible scooter shown in FIG. 1.

FIG. 6 is a rear view of the convertible scooter shown in FIG. 1.

FIG. 7 is a top plan view of the convertible scooter shown in FIG. 1.

FIG. 8 is a bottom plan view of the convertible scooter shown in FIG. 1.

FIG. 9 is a top perspective view of a second configuration of a convertible scooter.

FIG. 10 is a bottom perspective view of the convertible scooter shown in FIG. 9.

FIG. 11 is a right side view of the convertible scooter shown in FIG. 9.

FIG. 12 is a left side view of the convertible scooter shown in FIG. 9.

FIG. 13 is a front view of the convertible scooter shown in FIG. 9.

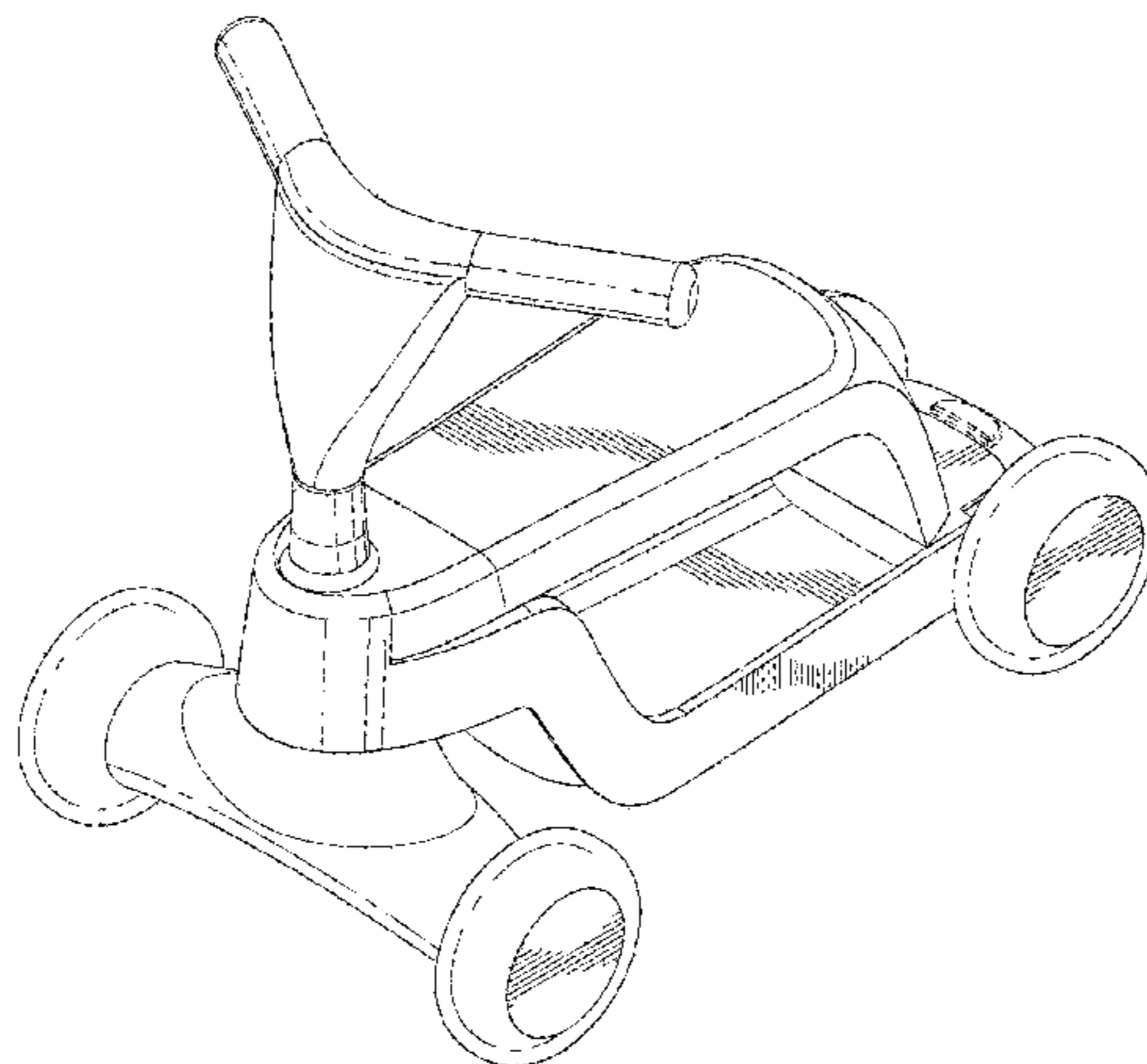
FIG. 14 is a rear view of the convertible scooter shown in FIG. 9.

FIG. 15 is a top plan view of the convertible scooter shown in FIG. 9; and,

FIG. 16 is a bottom plan view of the convertible scooter shown in FIG. 9.

The broken lines are for the purpose of illustrating portions of the wagon that form no part of the claim.

1 Claim, 14 Drawing Sheets



US D785,716 S

Page 2

(56)

References Cited

U.S. PATENT DOCUMENTS

7,487,982 B2 2/2009 Chan
D631,102 S 1/2011 Jessie, Jr.
8,500,134 B2 8/2013 Tzoreff
8,517,403 B2* 8/2013 Jessie, Jr. B62K 9/00
280/7.1
8,523,193 B1* 9/2013 Mucaro B62B 5/082
280/7.15
D710,949 S 8/2014 Huang
9,010,780 B1 4/2015 Chiu
9,016,702 B2 4/2015 Huang
9,022,406 B2 5/2015 Ouboter
9,114,821 B1 8/2015 Xu
D745,608 S* 12/2015 Xu D21/423
9,233,728 B2* 1/2016 Mucaro B62K 13/06
D749,174 S* 2/2016 O Connell D21/423
2002/0000702 A1 1/2002 Charron
2010/0148460 A1* 6/2010 Nelson B62K 13/00
280/87.021

2011/0198819 A1* 8/2011 Jessie, Jr. B62K 9/00
280/7.15
2012/0181773 A1* 7/2012 Ouboter B62K 3/002
280/263

2013/0082451 A1 4/2013 Lin
2014/0217685 A1 8/2014 Byrne et al.
2015/0097346 A1 4/2015 Mucaro

FOREIGN PATENT DOCUMENTS

CN 202271828 6/2012
CN 202754075 2/2013
CN 203511908 4/2014
CN 203567873 4/2014
CN 203975081 12/2014
CN 204056139 12/2014
CN 204197150 3/2015
CN 204415620 6/2015

* cited by examiner

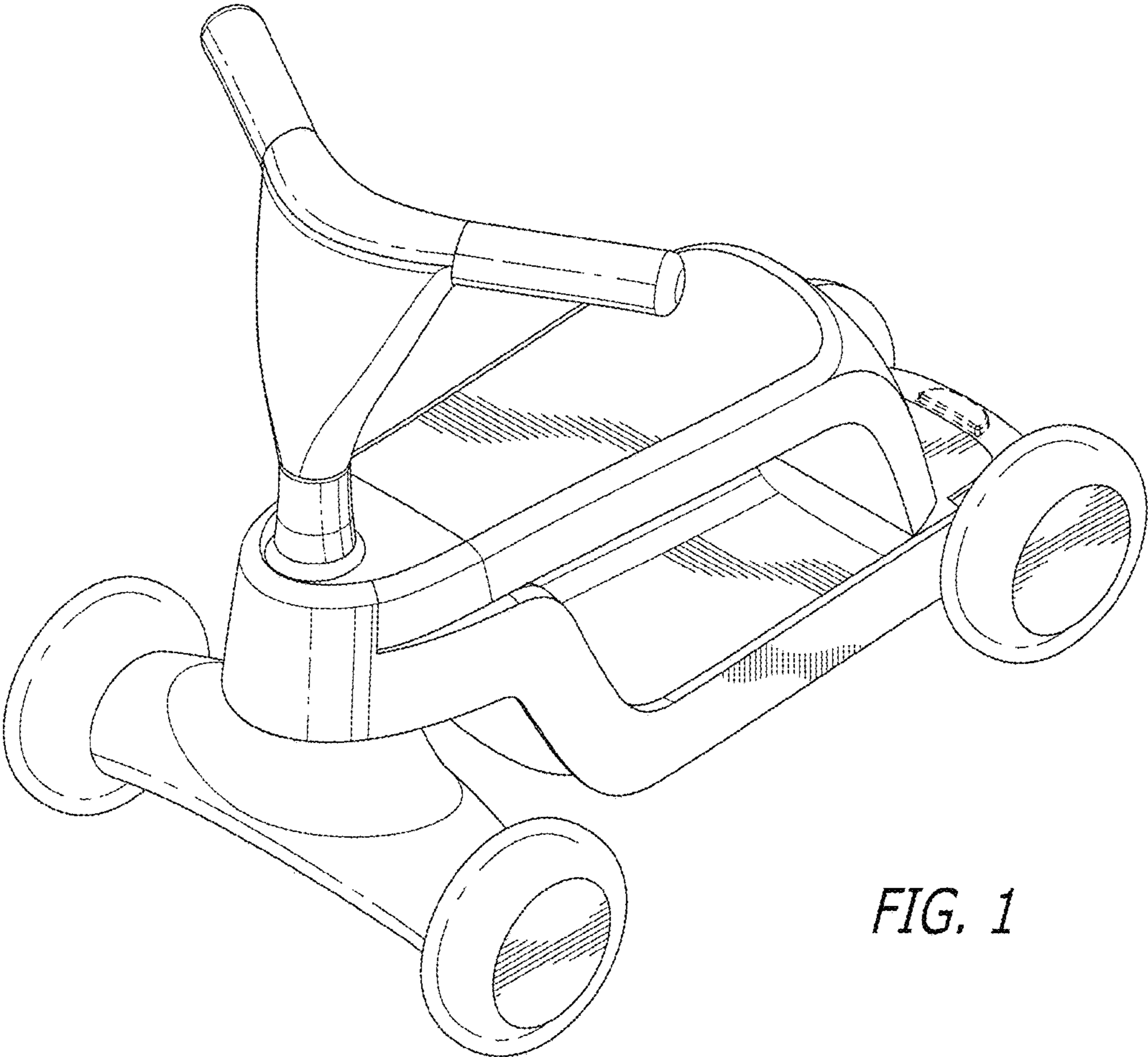


FIG. 1

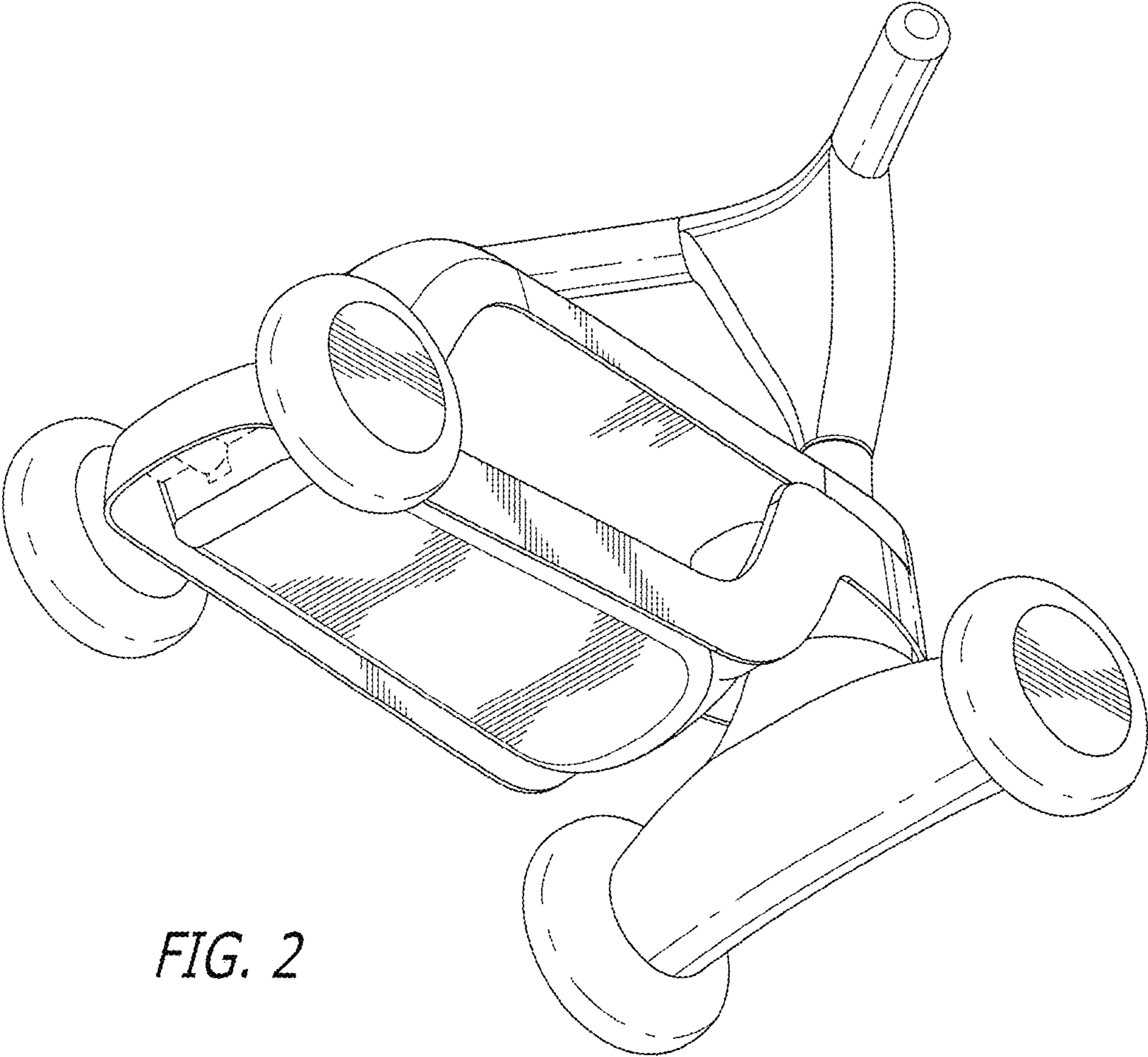


FIG. 2

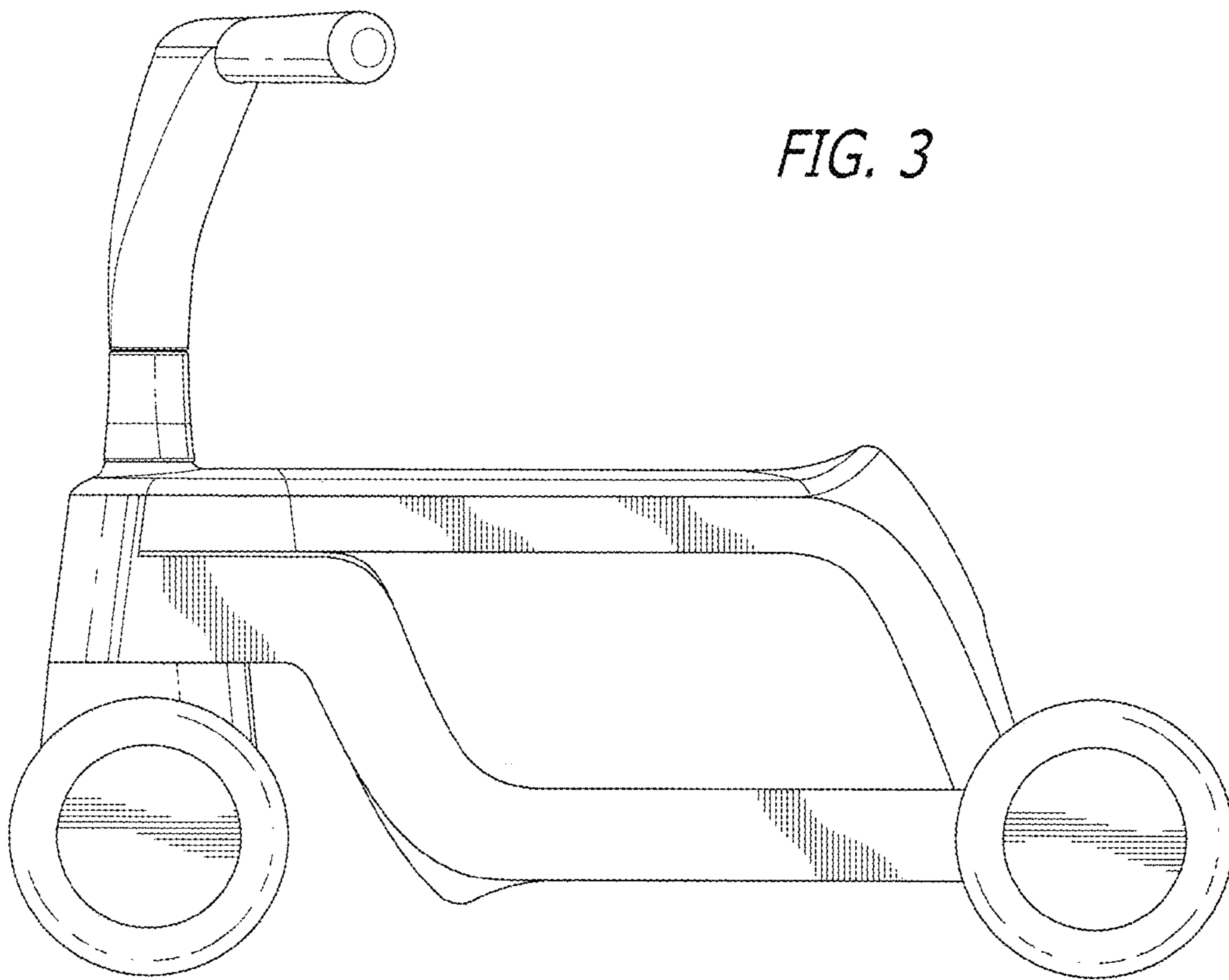
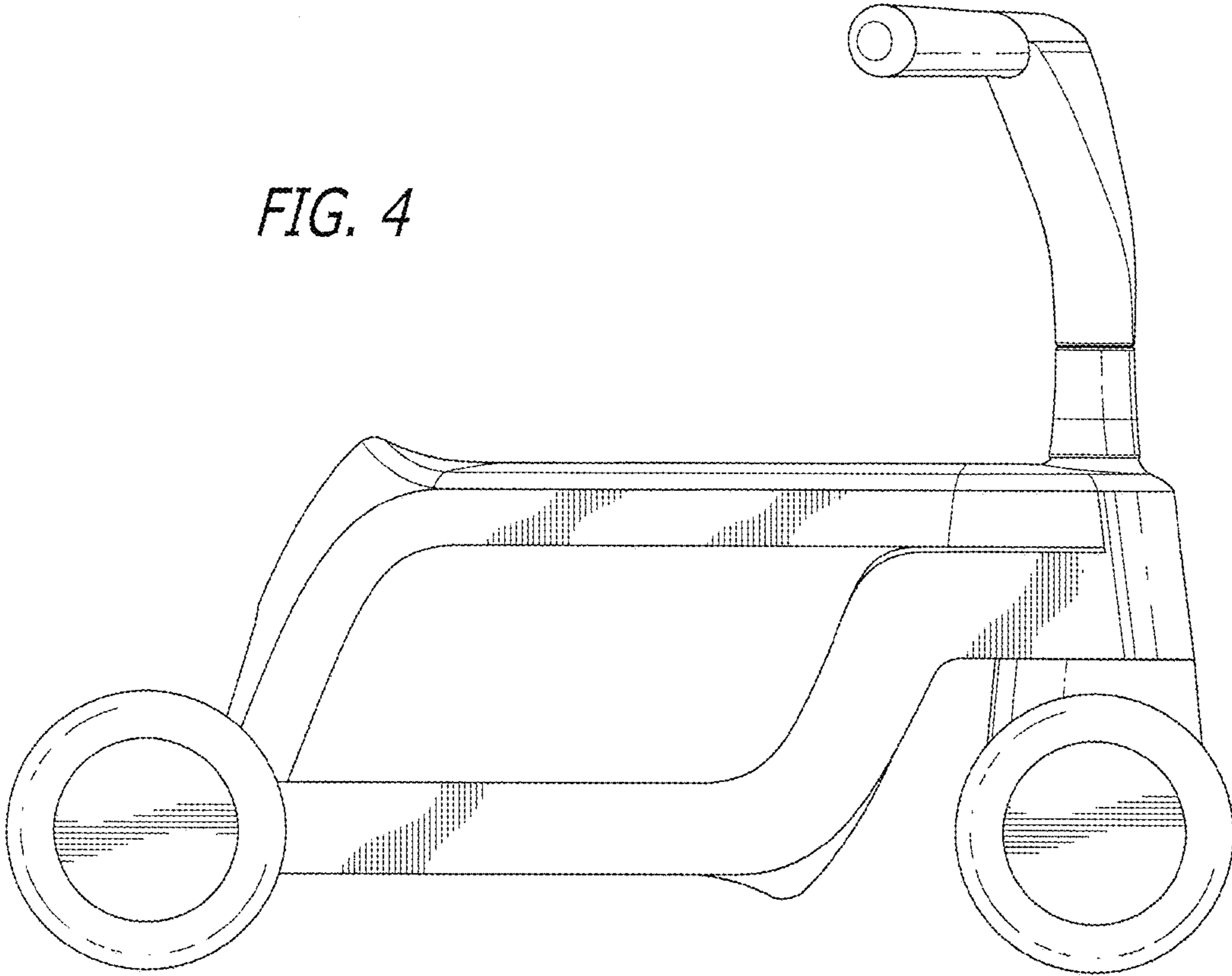


FIG. 3

FIG. 4



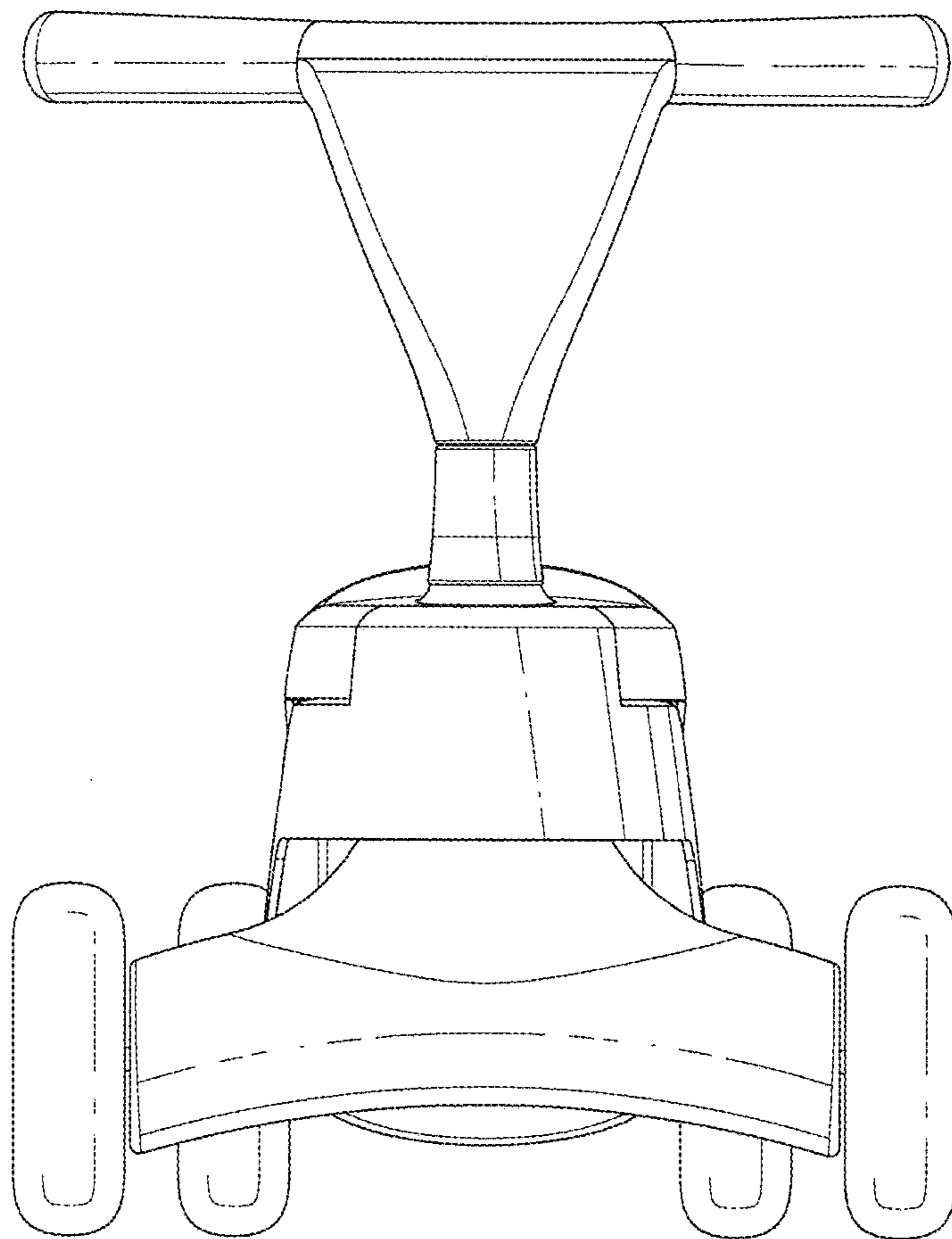


FIG. 5

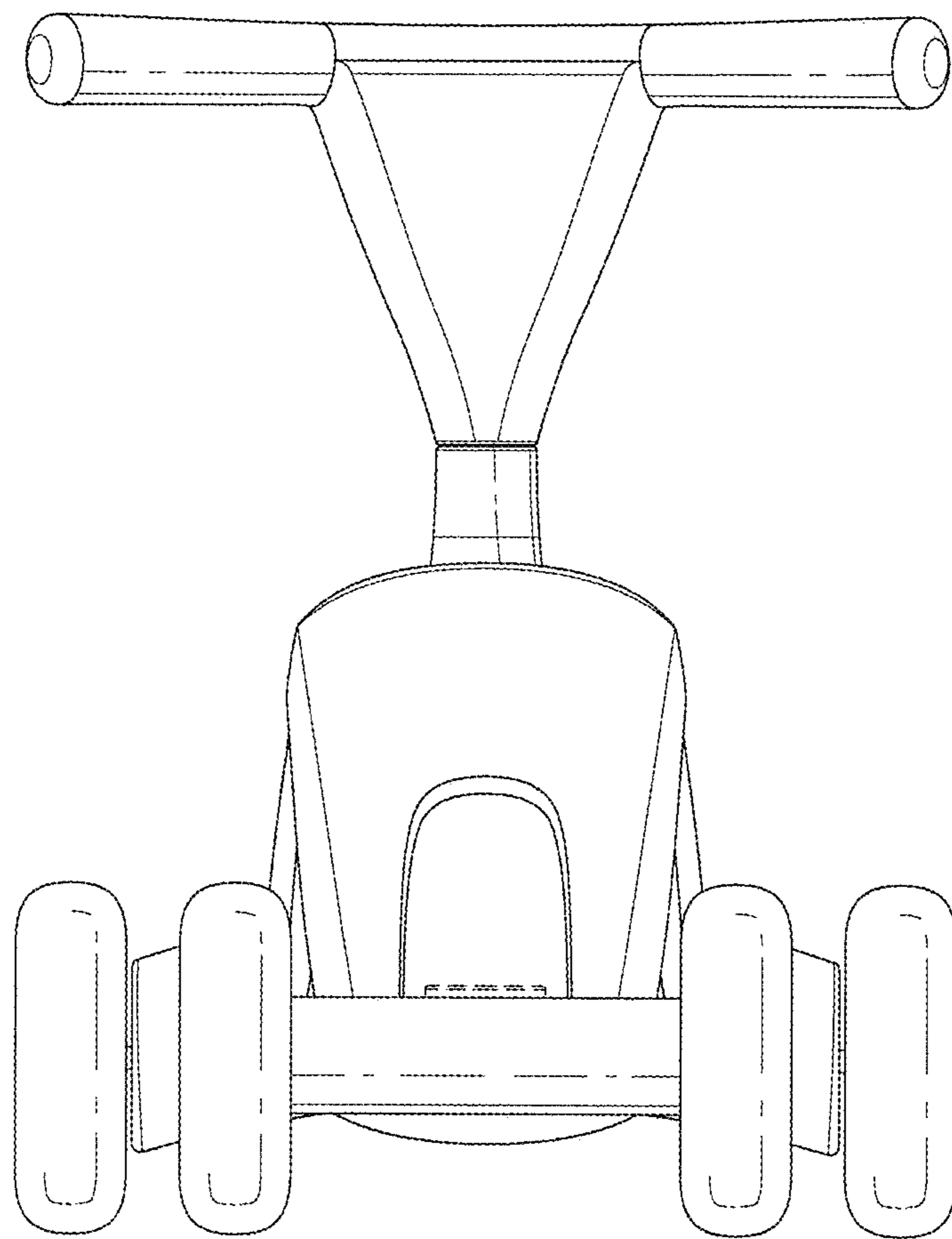


FIG. 6

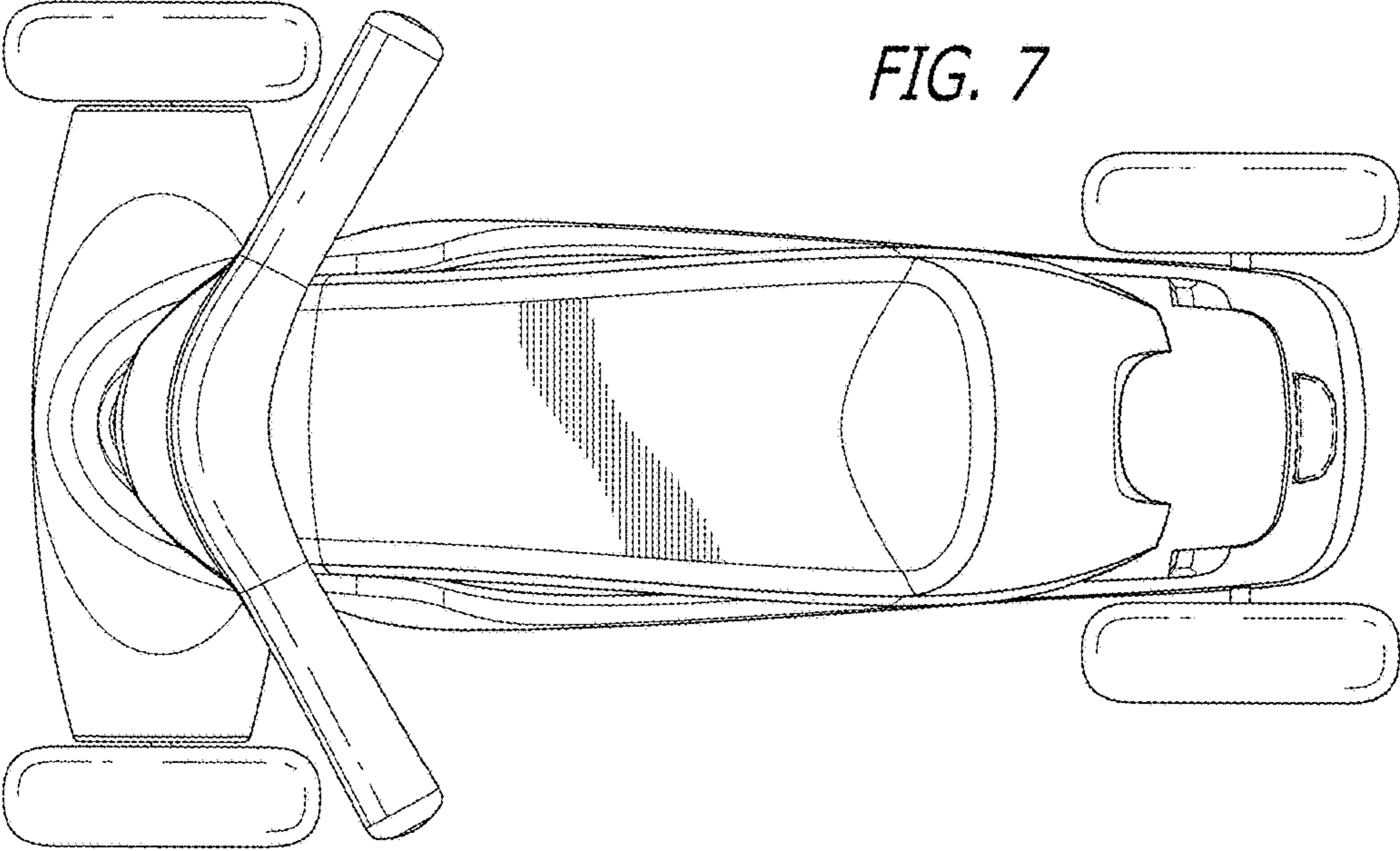


FIG. 7

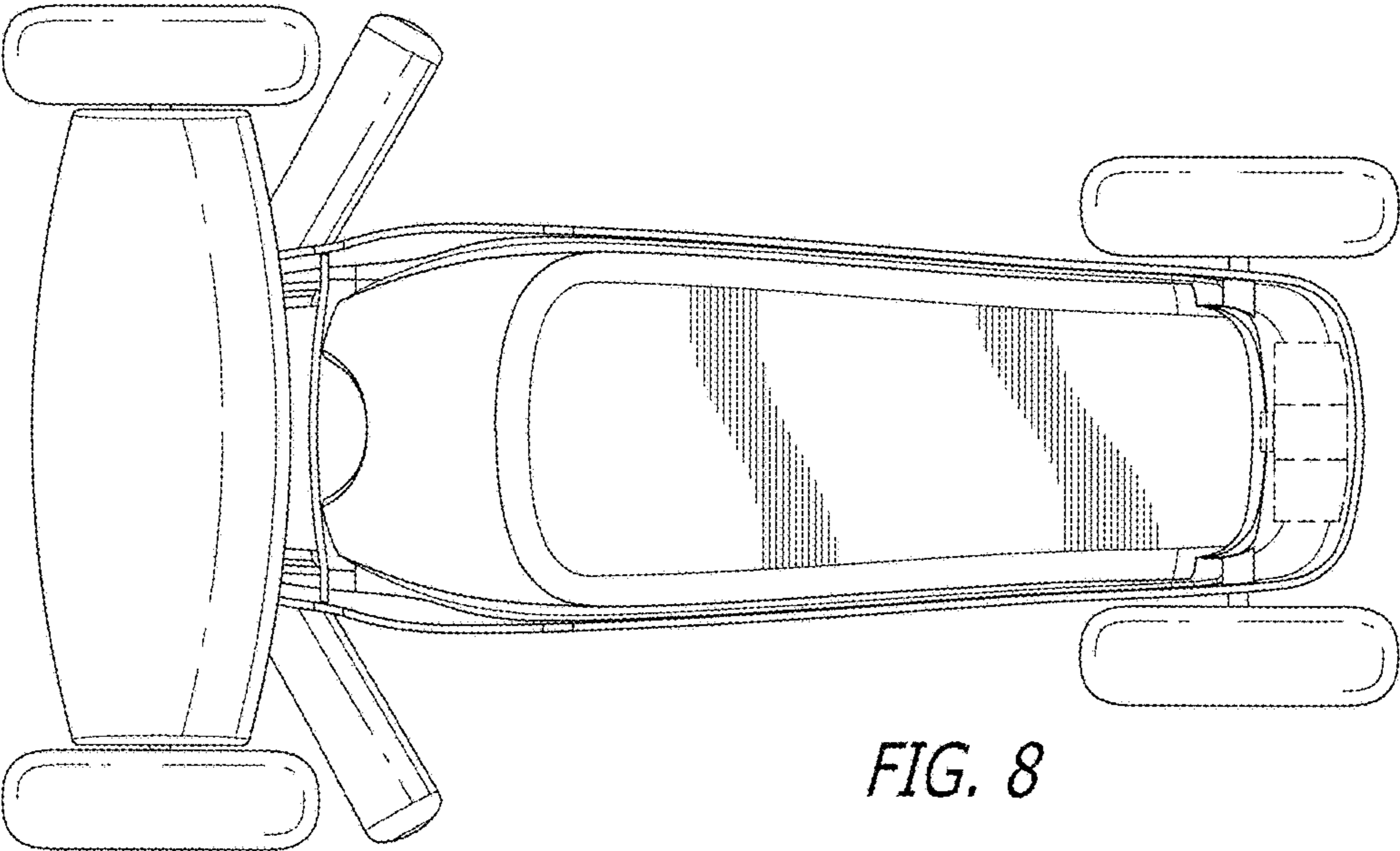


FIG. 8

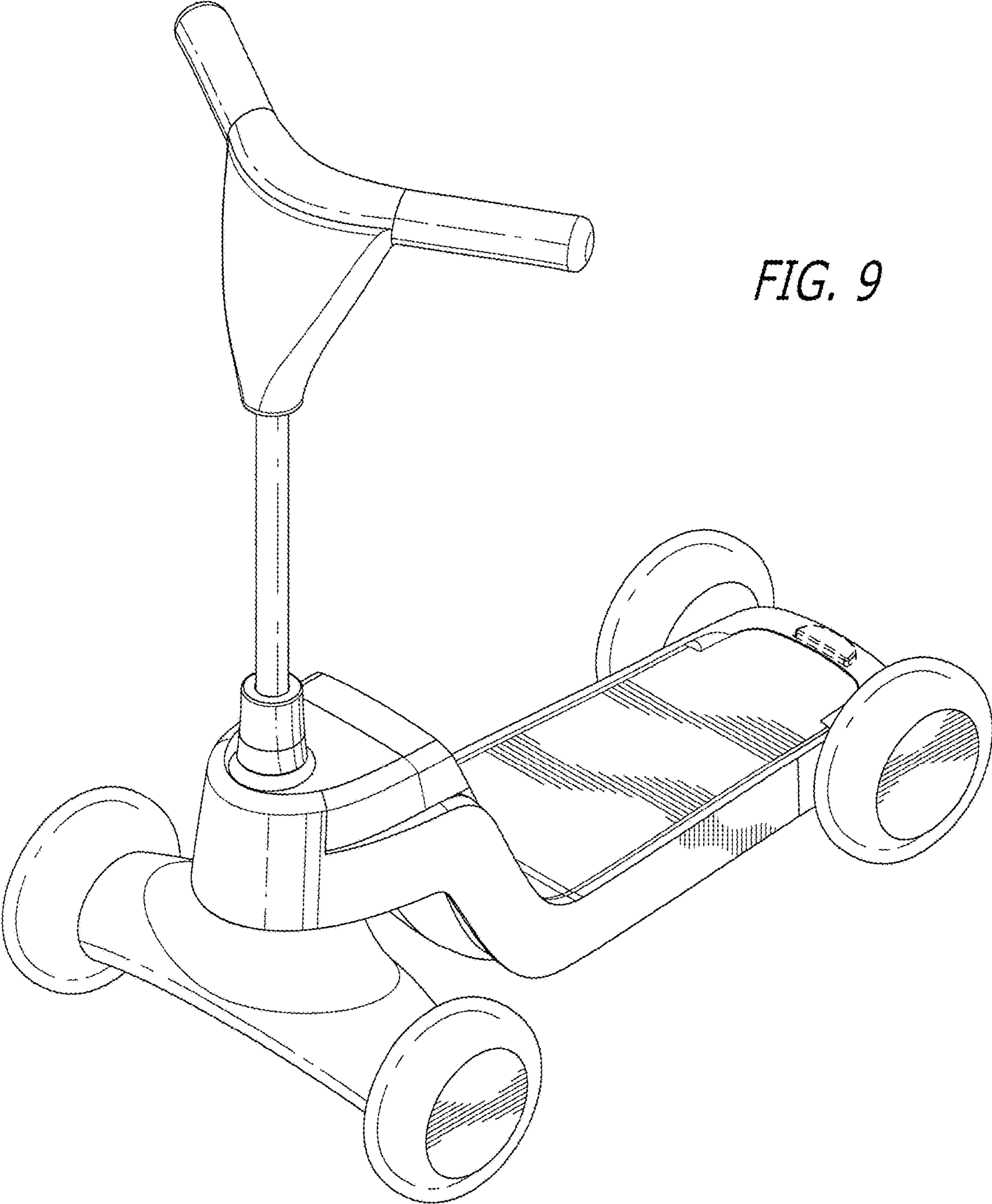
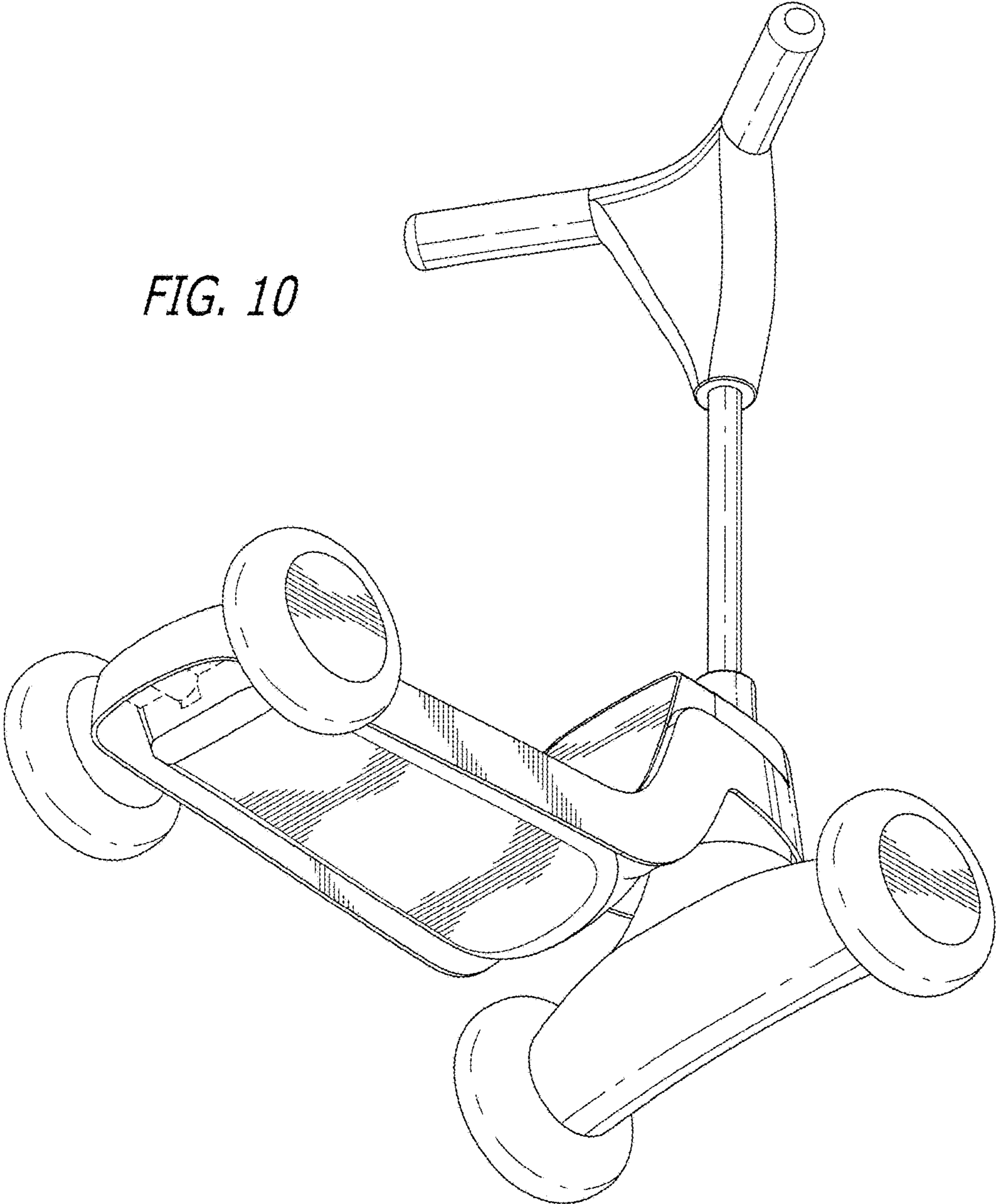


FIG. 9

FIG. 10



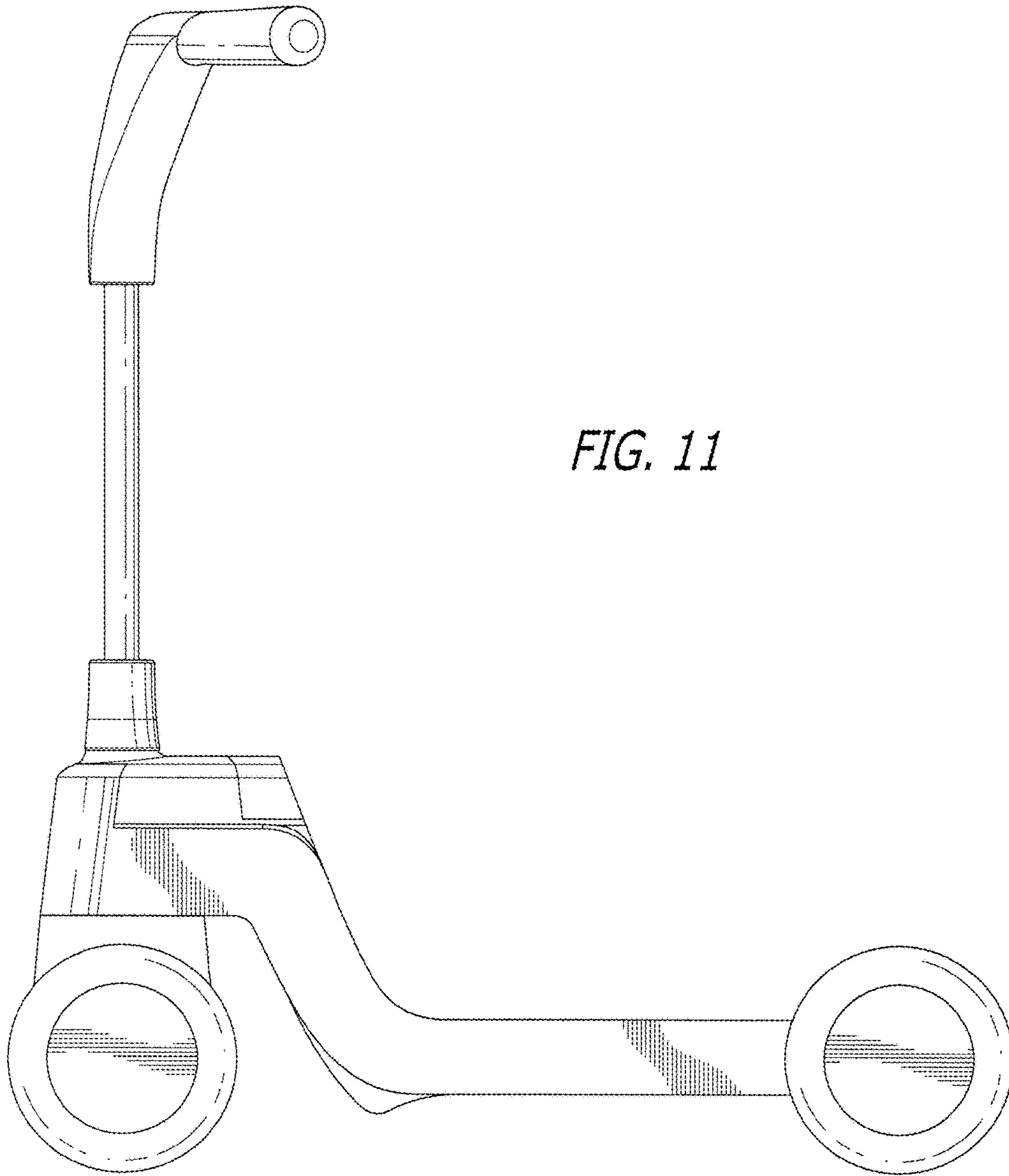


FIG. 11

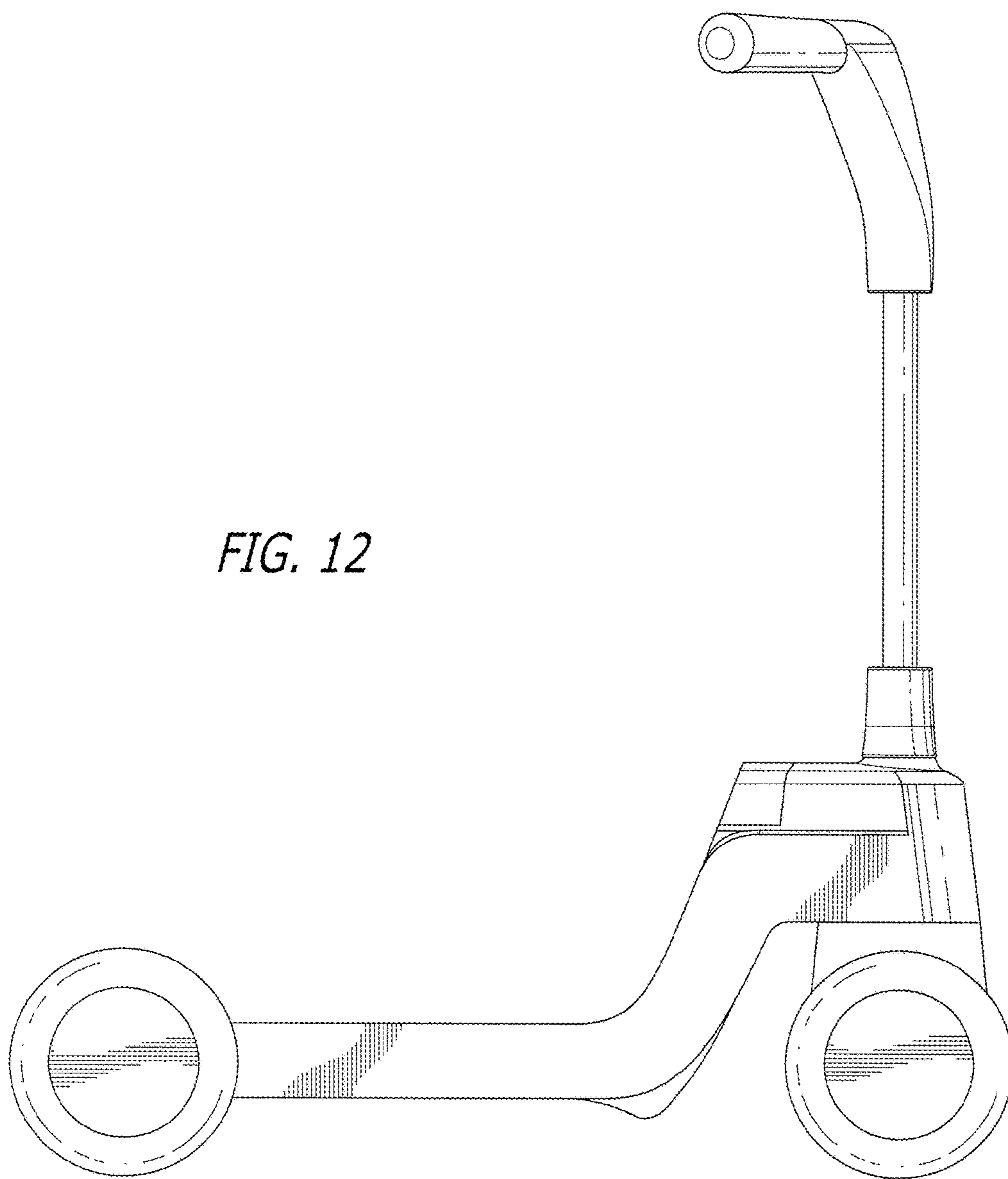


FIG. 12

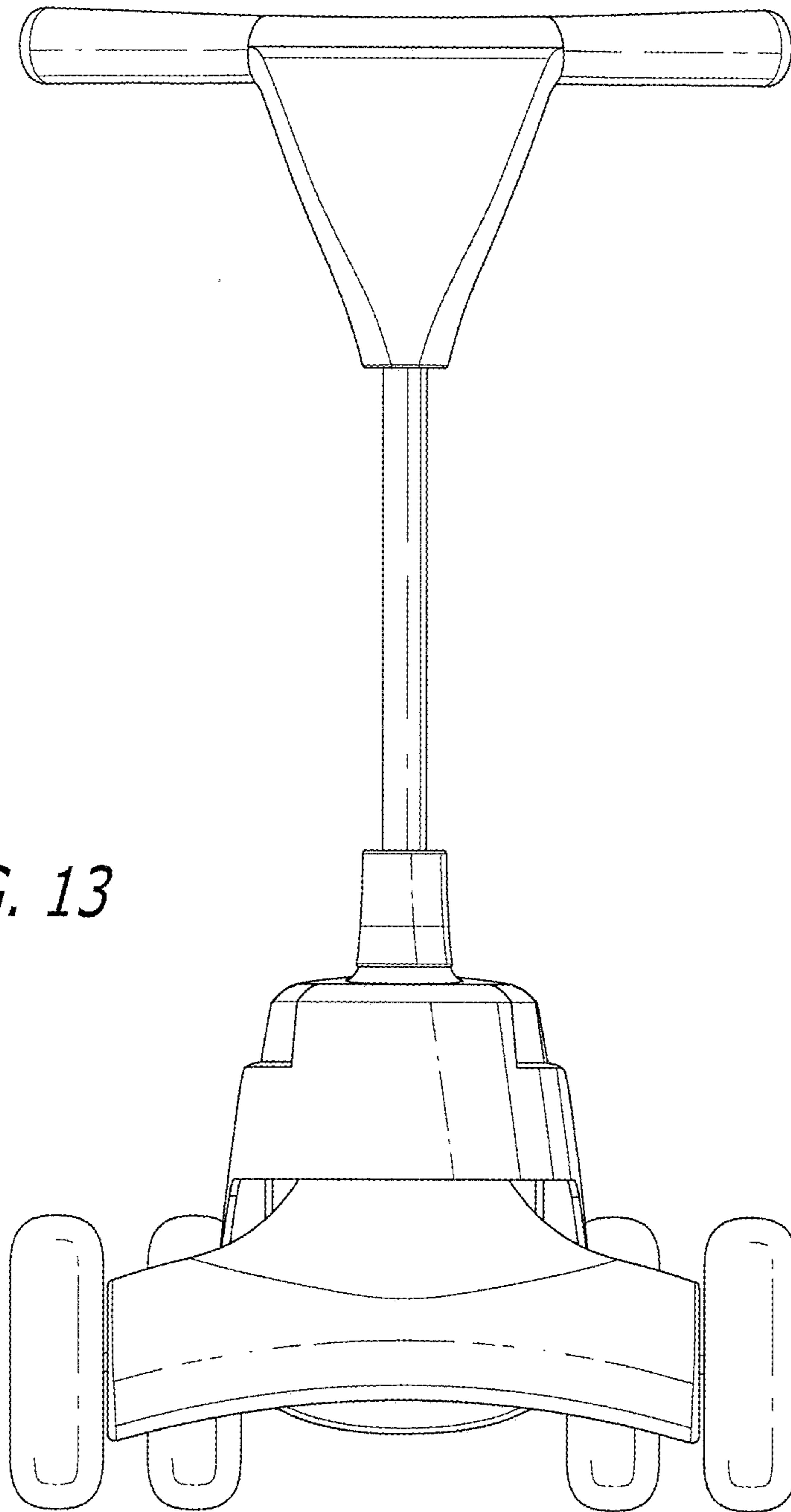


FIG. 13

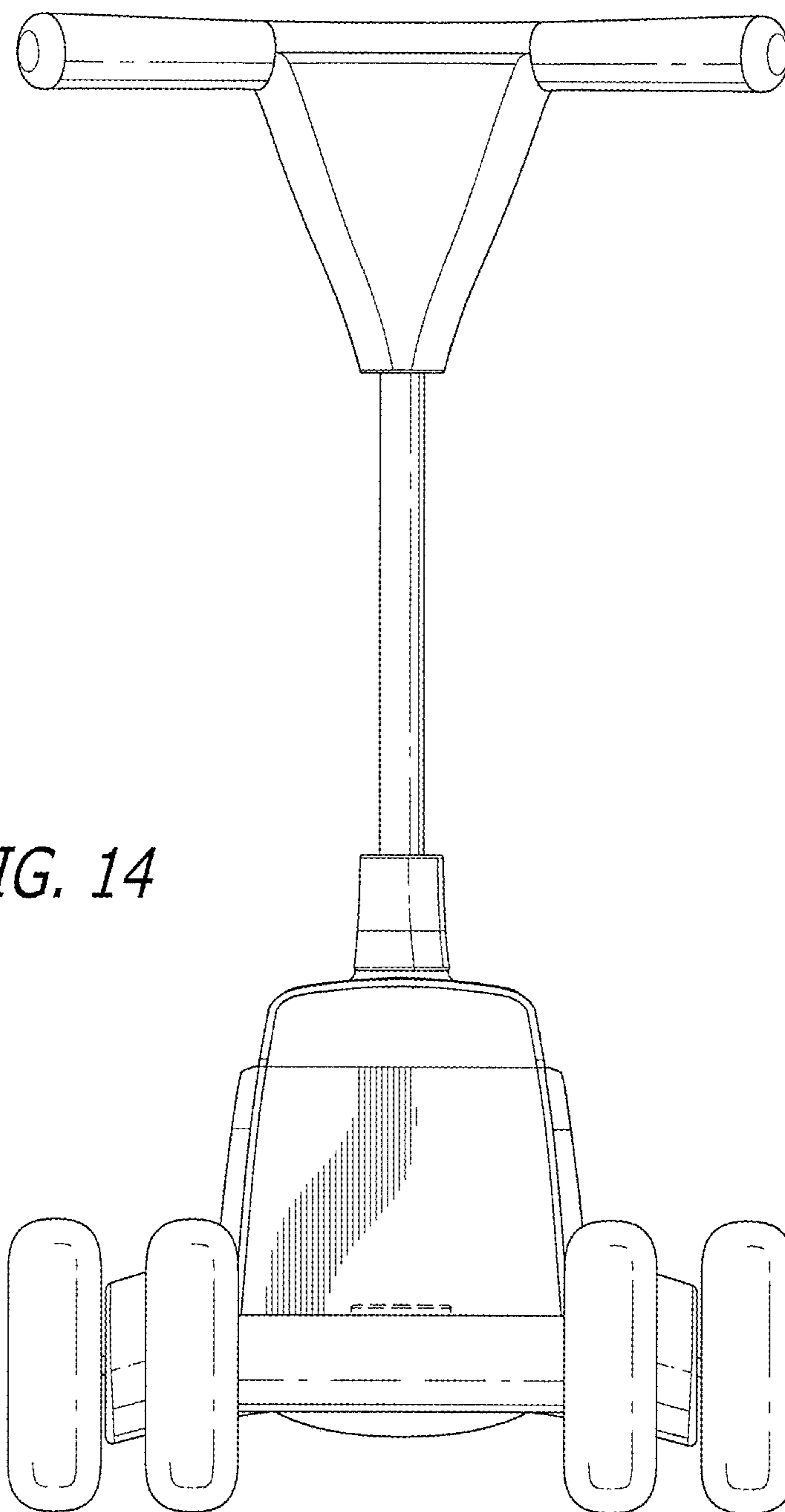


FIG. 14

