



US00D785713S

(12) **United States Design Patent**
Salome

(10) **Patent No.:** **US D785,713 S**

(45) **Date of Patent:** **** May 2, 2017**

- (54) **GAME POLE**
- (71) Applicant: **Patrick Salome**, Blackstone, MA (US)
- (72) Inventor: **Patrick Salome**, Blackstone, MA (US)
- (**) Term: **15 Years**
- (21) Appl. No.: **29/527,265**
- (22) Filed: **May 18, 2015**
- (51) **LOC (10) Cl.** **21-01**
- (52) **U.S. Cl.**
USPC **D21/302**
- (58) **Field of Classification Search**
USPC D21/300, 302, 303, 318, 334; 273/317,
273/331, 336, 398, 400, 402, 407, 408,
273/410, 118 R, 123 R, 236, 348, 386,
273/287; 473/569, 578, 592, 454
CPC A63B 63/00; A63B 67/00; A63B 71/00
See application file for complete search history.

- 5,636,834 A * 6/1997 Horkan A63B 69/345
473/445
- 6,039,370 A * 3/2000 Dooley, Jr. A01K 23/005
248/99
- 6,859,543 B2 * 2/2005 Fingleton H04R 1/323
181/153
- D568,292 S * 5/2008 Tsuge D14/211
- 7,484,300 B2 * 2/2009 King A01G 3/08
30/166.3
- 7,978,566 B1 * 7/2011 Russo G04F 3/08
368/108
- D691,117 S * 10/2013 Silvera D14/213
- 8,608,167 B2 * 12/2013 Raymond A63B 63/007
116/222
- D712,929 S * 9/2014 Akana D14/209.1

* cited by examiner

Primary Examiner — Prabhakar Deshmukh
(74) *Attorney, Agent, or Firm* — Foley & Hoag LLP

(57) **CLAIM**

The ornamental design for a game pole, as shown and described.

(56) **References Cited**

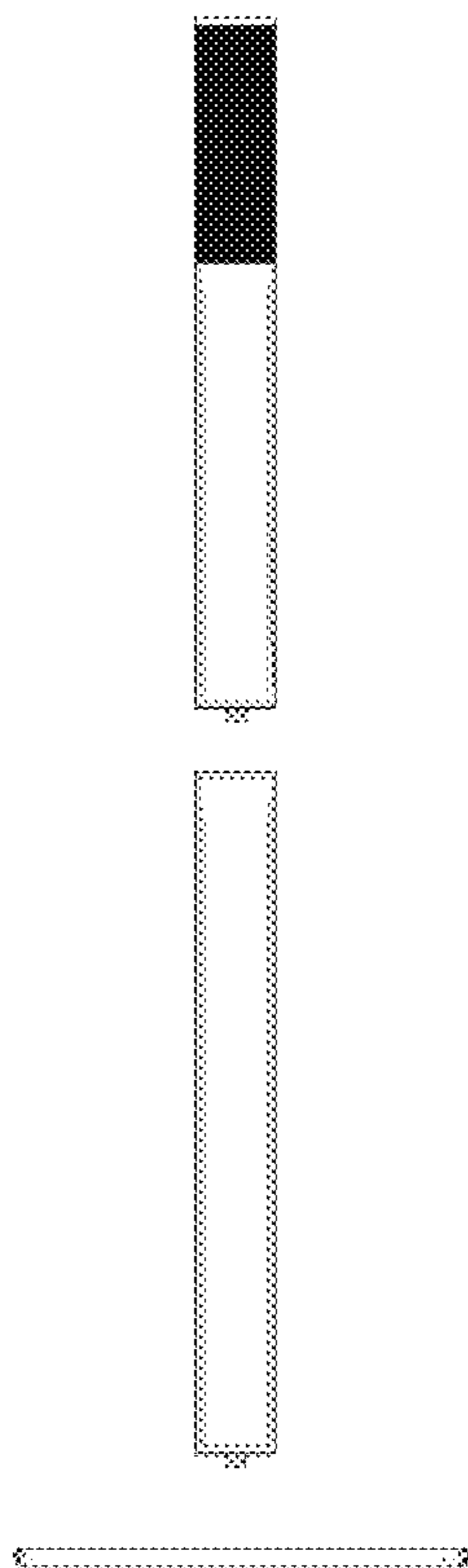
U.S. PATENT DOCUMENTS

- 3,216,728 A * 11/1965 Whitney A63B 57/357
273/127 B
- 4,330,130 A * 5/1982 Carr A63F 9/0204
206/315.1
- 4,898,392 A * 2/1990 Goletz A63B 63/08
273/123 R
- D328,901 S * 8/1992 Haruyama D14/216

DESCRIPTION

FIG. 1 is a front view of a game pole showing my new design; and,
FIG. 2 is a perspective view thereof.

1 Claim, 2 Drawing Sheets



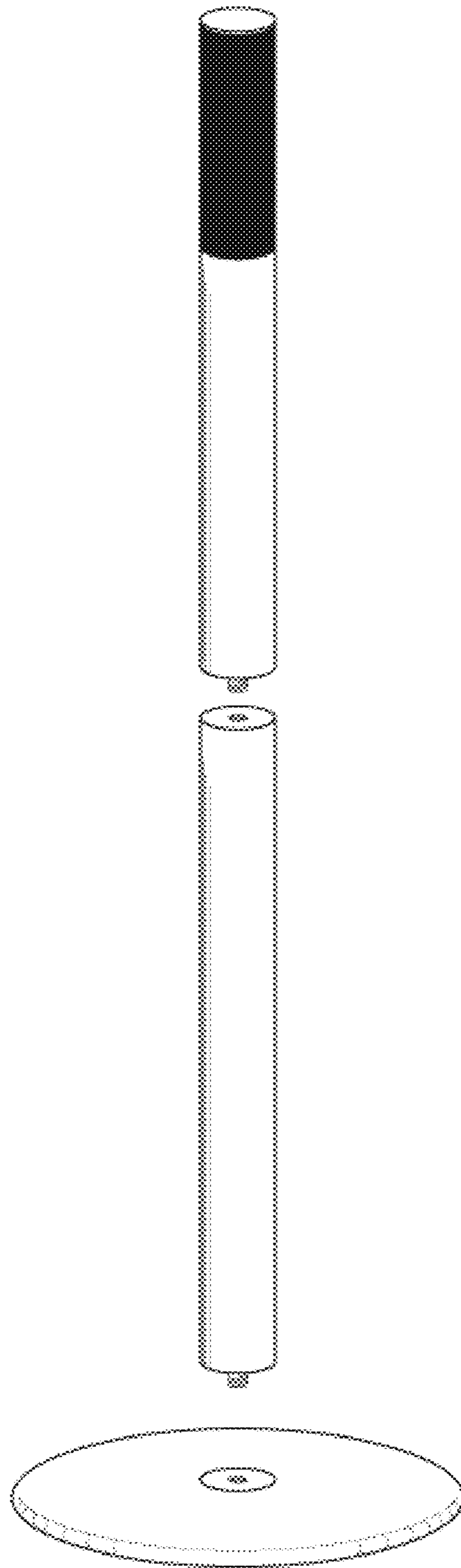


Figure 1

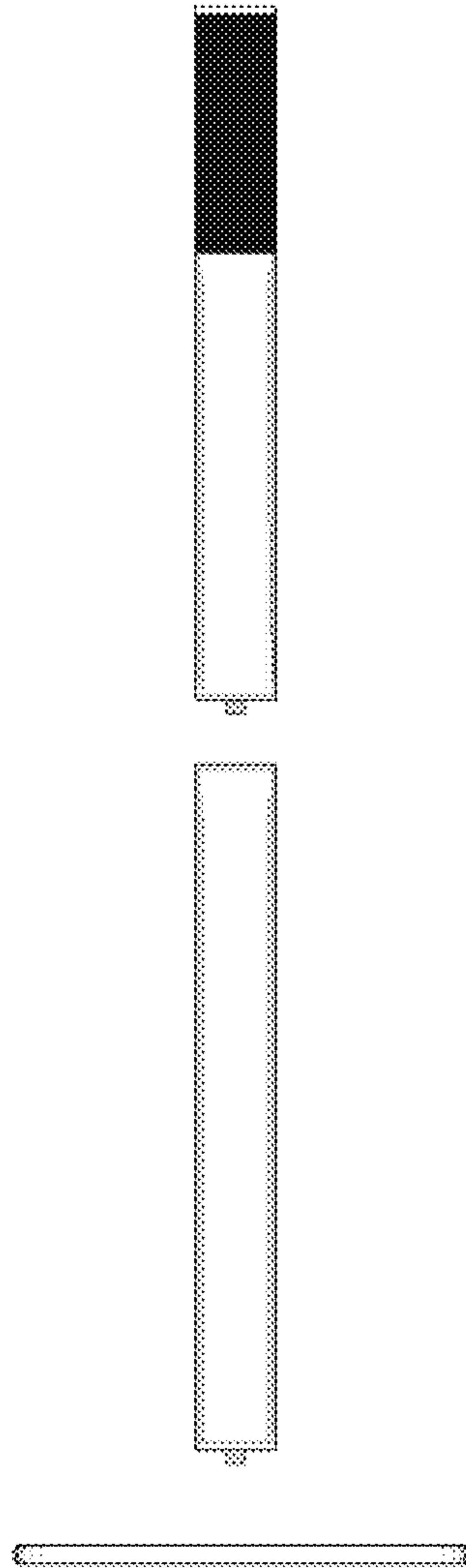


Figure 2